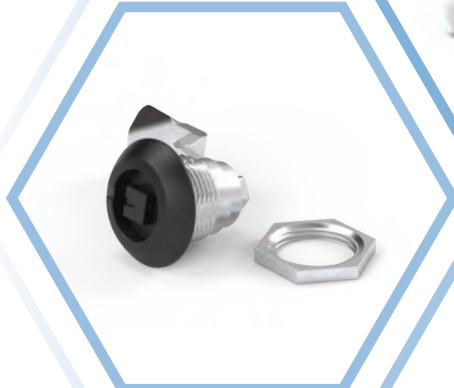
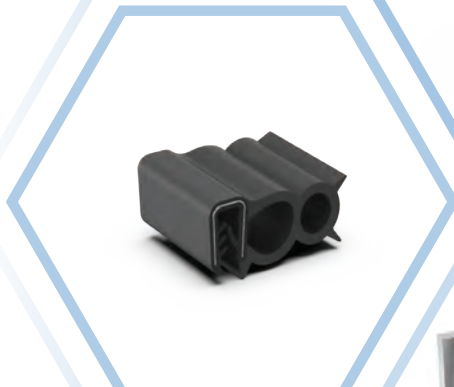


# MAIN CATALOGUE



SALES  
WORLDWIDE



92 %  
FROM IN-HOUSE  
PRODUCTION



IN-HOUSE  
MOULD MAKING

**Ingenious Locking Technology  
for Cabinets and Enclosures**

# Icons

The icons on the catalogue pages show the special properties of the items presented there.



Inside the sealing



Outside the sealing



Concealed hinge



Prominent hinge



Lift-off version hinge



Hinge limited lift-off version



Hinge for single cabinets



Hinge for in-line cabinets with single door



Hinge for in-line cabinets with double door



Door RH version



Door LH version



Door RH or LH version



Protection class e.g. IP 65



PUR sealing foam



Compression specification of lock



Article grounded or grounding possible



ELM Electronic Locking & Monitoring System application



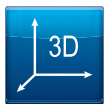
Resistance class 2 tested acc. to DIN EN 1630



2D nut usable



2D adjustable product



3D adjustable product



Assembly without tool



clip-in product



Product with graffiti resistant paint



meets hygiene requirements acc. to DIN EN 1672-2



meets hygiene requirements acc. to DIN EN ISO 14159



Shock and vibration test according to DIN EN 61373



Plastic flame-resistant according to classification UL94



Stainless steel  
AISI 303 resp. 1.4305  
AISI 304 resp. 1.4301  
AISI 316 resp. 1.4401  
AISI 316 Ti resp. 1.4571

# List of contents



<b>Info</b>	EMKA overview, technical information
<b>1 Quarter turns</b>	
1A	Quarter turns, small and medium version
1B	Quarter turns, large version
1C	Accessories: Cams, dust cap, rods, rod guides
1D	Quarter turns (Program 1500)
1E	Quarter turns, different versions
<b>2 Rod controls</b>	
2A	Rod control for heavy duty, screw-on
2B	Rod control for heavy duty, weld-on
<b>3 Locking systems</b>	
3A to 3N	1107 to 3000
3XA to 3XC	Locking sets: Modules, profile half cylinders
3YA to 3YC	Rod controls, bearing bushes, cams
3ZA to 3ZD	Rods for outside and inside; Rod guides
<b>4 Hinges</b>	
4A	Hinges for prominent doors
4B	Hinges for flush doors
4C	Pin hinges
<b>5 Seals</b>	
5A	Seals, cell sponge rubber, edge protection, window rubber profiles
<b>6 Handles</b>	
6A	Bow-type handles, hand grips, tube handles, chest handles, edge handles
6B	Chest handles, chest handles with spring, bow-type handles
<b>7 Aluminium windows</b>	
7A	Aluminium windows with or without frame
7B	EMKA PROflex: Aluminium window with or without frame, completely assembled or as a kit
<b>8 Miscellaneous</b>	
8A	Locks: Chest handle, dead-bolt lock, bridge clamp, snap lock
8B	Keys
8C	Supports and door stops, cover stays
8D	Accessories: Panel mounting device, cable shunting ring, drawing pocket
8E	Fixing material
<b>9 Special catalogues</b>	
9A	EMKA Electronics
9B	Seals
9C	Toggle latches / Cylinder quarter turns
9D	Railway vehicles
9E	HVACR
9F	Commercial vehicles / Caravan
<b>Index</b>	Part number / Catalogue page

A person in a dark suit is pointing at a whiteboard. The whiteboard features a world map with blue dots and lines, and several small charts or diagrams. The background is slightly blurred, showing a wooden door and other office elements.

# About EMKA

---

The EMKA GROUP is world market leader for locks, latches, hinges and seals used in switch and control cabinets.

For more than 40 years, the company has been active across all sectors in the fields of industry (switch and control cabinets, HVACR systems, mechanical engineering) and transport (railway and commercial vehicles, caravans, etc.) with conventional and electronic locking solutions.

The overall range comprises more than 30,000 catalogue and special articles, which are developed, manufactured, refined and assembled at eleven production sites in Germany, France, Great Britain, Spain, Bosnia-Herzegovina, Serbia, China, India and Indonesia.

In one of the two new plants in Bosnia, the company produces around 900 moulds for injection moulding and die casting every year - both for own production and for external customers.

With 2,100 employees, EMKA serves over 36,000 customers in 55 countries worldwide. In 2020, the company achieved turnover of over 295 million euros.

EMKA - Ingenious Locking Technology.



**WirtschaftsWoche**

**WELT  
MARKT  
FÜHRER**

Champion  
2021

EMKA Beschlagteile  
Verschlüsse, Scharniere  
und Dichtungen

**ADWI**  
Assoziierte Deutsche Wirtschaftskörner

Henri B. Meier  
Unternehmensschule  
Universität St. Gallen

# Worldwide first choice

2,100 employees

Own production at 11 international locations

Represented in 55 countries worldwide

More than 30,000 catalogue and special products

More than 36,000 customers worldwide



Henriville, France



Birmingham, UK



Arnedo, Spain



Goražde (Plant 1), Bosnia-Herzegovina



Goražde (Plant 2), Bosnia-Herzegovina



Company headquarters Velbert, Germany



Wuppertal, Germany



Tianjin, China



Mionica, Serbia



Bhilai, India



Bandung, Indonesia



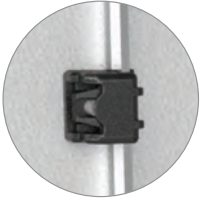
- Company headquarters
- Production site
- Subsidiary
- Agency



Seal



Guiding shoe



Rod guide



Swinghandle



Connector



Rod control with cam



Hinge



Accessories







# Locking systems for switch and control cabinets

---

EMKA offers a comprehensive range of locking technology products from a single source and from its own production, including sealing technology. The modular program structure enables a unique variety of variants and solutions.

The high quality and product standards are guaranteed by an excellent manufacturing know-how and by the certified process control according to ISO 9001.

# Modular program

---

The product program by EMKA has a consistently modular structure.

No matter whether made of stainless steel, zinc, aluminium, plastic or rubber, the products meet national as well as international standards, e.g. resistance class RC2 and are available up to protection class IP 69K.



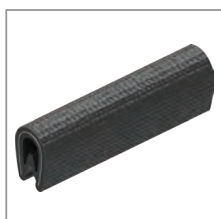
Locks and Latches



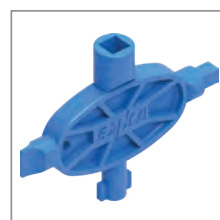
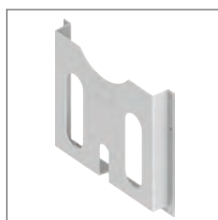
Locking Systems



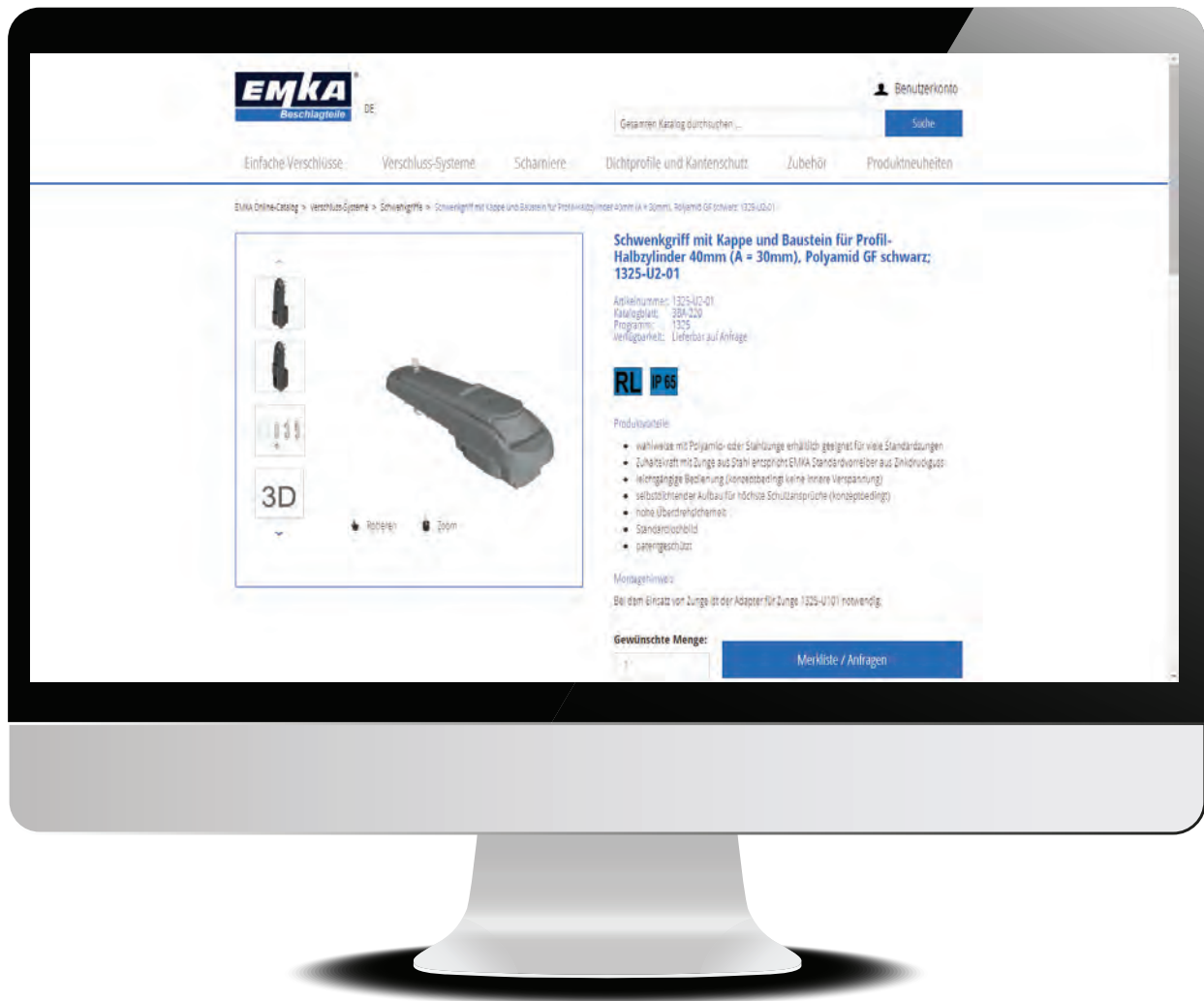
Hinges



Sealing Profiles and Edge Protection



Accessories



## Online product search and CAD Download

Product search: Several methods lead to the catalogue page of the required item. Both the quick and direct way by entering the page number, item number or name and by using the extended search by means of selecting specific product properties.

CAD download: in the download area under [www.emka.com](http://www.emka.com), the CAD data of the EMKA products are made available in the international exchange formats STEP and IGES.



# Close communication with the customer from the idea to the product

---

In the EMKA Technology Centre the innovative products of tomorrow are created. 30 designers and design engineers convert ideas into finished products in close collaboration with the customer. Quite a few of these products are incorporated into the EMKA main catalogue which is thus strongly focused on the current market and customer needs.

To this day round 20,000 additional special parts have been created in this way that were tailor-made for special customer requirements by our specialists, intensely tested in our internal test lab and finally produced by EMKA.

State-of-the-art CAD systems and development methods such as finite elements method, rapid prototyping and 3D print are only some of the processes that are used in this context. A powerful project management software completes the range of services.

You have got an idea?

Together, let's make a product out of it!

# EMKA Mould + Series

---

EMKA is one of the three largest mould makers in Europe.

One reason for this is that all of EMKA's 30,000 catalogue and special products are tool-related. In its own production sites, EMKA produces these products from the materials polyamide, zinc, steel, stainless steel and aluminum. EMKA customers can take advantage of this manufacturing excellence that has been developed over decades. With the business model "Mould + Series", EMKA offers a unique service package:

Based on the customer's drawing, the mould is designed. The production of the initial sample with this mould takes place directly at EMKA on site on factory-owned machines from series production. In this way, the mould making and initial sample production stages are directly coupled with each other. Time and quality losses due to transport and coordination loops are eliminated. After tool and initial sample approval, the customer receives the complete test documentation as well as all relevant production parameters. If the customer does not want to manufacture his product himself, but wants to outsource it, EMKA can also take over the series production - if necessary with assembly work and worldwide logistics.

"Mould + Series" is mould making and initial sample production from a single source - with optional series production. In short: Production with a system.





General notes	
All drawings are shown in right-hand version.	
Dimension data are basically understandable in 'mm'.	
Note for cut outs: All dimensions are final dimensions, please consider for surface coating.	
All drawings are not to scale.	
UL50 and UL94 HB listed products see chapter 5.	
Welded pieces at the stainless steel area the material AISI 304 has a good weldability	
A key made of silver steel with black polyamide GF handle is supplied with each round cylinder made of zinc die.	
In case of assembling by the customer, the O-rings must be lubricated with O-ring suited grease.	
Hardware maintenance: the high-quality EMKA hardware is going to work perfectly for decades if used appropriately. Complementarily, we recommend a regular use of lubricants suitable for the application, utilisation and material on all moving hardware components. This particularly applies for the outdoor use.	
In case of self-adhesive items the surface to be used for attaching has to be free of grease and dirt.	
The length of the profile half cylinder according to DIN 18252 is to be determined by the user corresponding to the lock.	
We reserve the right to make changes in design and drawing.	

Abbreviations	
A	= Distance
B	= Width
GH	= Length of housing
H	= Height
L	= Length
Th	= Door height
Ts	= Door thickness
t	= Material thickness
SW	= Width across flat
Fst	= Spring steel
GD-Zn	= Zinc die casting
Ms	= Brass
m.s.	= Mild steel
GF	= Glass fibre
GTW	= Malleable cast iron, white
PA	= Polyamide

IP-Rating according to IEC 60 529			
The IP protection category is characterised by 2 numbers. Example of protection category: e.g. IP 54.			
First no.	Degree of protection against contact and foreign bodies	Sec. no.	Degrees of protection against water
1	Protected against solid foreign objects Ø 50 mm and greater	1	Protected against vertically falling water drops
2	Protected against solid foreign objects Ø 12.5 mm and greater	2	Protected against vertically falling water drops when the enclosure is tilted up to 15°
3	Protected against solid foreign objects Ø 2.5 mm and greater	3	Protected against spraying water
4	Protected against solid foreign objects Ø 1.0 mm and greater	4	Protected against splashing water
5	Dust-protected	5	Protected against water jets
6	Dust-tight	6	Protected against powerful water jets
		7	Protected against the effects of temporary immersion in water
		8	Protected against the effects of continuous immersion in water
		9K	Protected against high pressure and steam jet cleaning

### Explanation of IP 69K

The IP Rating IP 69K was developed for the high pressure cleaning at high temperatures. The number "6" stands for the protection against the ingress of dust, the "9" for the protection in case of high pressure cleaning at small distances and the "K" for the high temperature of water used (hot water).

The protection class IP 69K was introduced in 1993 and is based on the standard DIN 40050-9.

The IP 69K test was initially developed to specify the protection of road vehicles against ingress of foreign substances as dust or dirt and against hot water jets.

The test conditions of the IP rating IP 69K require a pressure of 100 bar at a water flow rate of approx. 15 l/min and a temperature of 80°C.

The nozzle from which the water exits is at a distance of 10 cm to the object to be tested during the test.

The water jet is applied on the device under test at the angles of 0°, 30°, 60°, and 90°, for a duration of 30 seconds at each angle, while the device under test is rotated with 5 U/min on its own axis.

The paper of this catalogue is produced without chlorine bleaching.



Protection classes acc. to National Electrical Manufacturers Association (NEMA)	
The UL classifications are not directly comparable with IP protection classes, since both the test conditions and the evaluation of the test results are different.	
UL/NEMA	Description
1	Protection against the penetration of solid bodies.
3, 3R	Protection against the penetration of solid bodies, protection against the ingress of rain and dust and damage caused by icing.
3S	Protection against rain, snow and foreign bodies. External mechanisms remain usable despite being coated in ice.
4, 4X	Protection against rain, foreign bodies, splash water and hosed water and against damage caused by icing on the exterior of the enclosure.
12, 12K	Protection against dust deposits, foreign bodies and non-corrosive dripping liquids.
13	Protection against dust deposits, spray, oil, and non-corrosive coolants.

Stainless steel material specifications				
Germany		USA	Japan	Unified Numbering System
W.-Nr.	DIN	AISI	JIS	UNS
1.4301	X5CrNi18-10	304	SUS 304	S 30400
1.4305	X8CrNiS18-9	303	SUS 303	S 30300
1.4310	X10CrNi18-8	301	SUS 301	S 30100
1.4401	X5CrNiMo17-12-2	316	SUS 316	S 31600
1.4571	X6CrNiMoTi17-12-2	316 Ti	SUS 316 Ti	S 31635

**REACH, RoHS conformity and WEEE directive**

Our company is represented worldwide and considers the protection of the environment and its natural resources to be a corporate duty. Not only before this background EMKA has been certified according to the environmental management standard DIN ISO 14001 for years.

**Declaration regarding REACH conformity**

Under the REACH regulation, EMKA is a manufacturer and supplier of products within the EEA (European Economic Area). EMKA does not manufacture or supply Substances or Preparations. All EMKA products do not involve the intentional release of substances. The compliance certificate is reviewed and eventually updated periodically according to the SVHCs new list published by ECHA. EMKA products do not contain REACH Substances of Very High Concern (SVHC) in a concentration above the threshold value of 0.1%, as specified per ECHA Directive 1907/2006/EG (updated for SVHC candidates list from 15-June-2015).

**Declaration regarding RoHS conformity**

All products made by EMKA are RoHS compliant. This means that the substances restricted by the RoHS Directive 2011/65/EU (RoHS II) are not contained in finished products above the concentration limit at homogeneous material level stated in the RoHS Directive, unless the restricted substance is subject of an exemption contained in the RoHS Directive 2011/65/EU.

**Declaration regarding WEEE directive**

The products offered by EMKA are intended solely for B2B trade (in accordance with the WEEE-directive). After being used, they can be returned to us or disposed of by a commercial waste management company. Disposal via the municipal collection system is not permitted! In case of a return to EMKA, a professional recycling or disposal will be ensured.

**Conflict Minerals Policy**

EMKA is working towards ensuring that our products do not contain "conflict minerals 3TG ( Tin, Tantalum, Gold and Wolfram )" that have been sourced from mines that support or fund conflict within the Democratic Republic of Congo or adjoining countries. We work closely with our suppliers to ensure the responsible sourcing of conflict minerals.

#### Tolerances of the seals::

Seals are toleranced in accordance with DIN ISO 3302-1. Soft rubber usually according to 'E2' and sponge rubber according to 'E3'. PVC edge protection profiles are toleranced according to DIN 16941-3B.

Some examples:

Nominal dimension		Tolerance class DIN ISO 3302-1 E2	Tolerance class DIN ISO 3302-1 E3
over	up to		
0	1.5	±0.25	±0.40
1.5	2.5	±0.35	±0.50
2.5	4.0	±0.40	±0.70
4.0	6.3	±0.50	±0.80
6.3	10	±0.70	±1.00
10	16	±0.80	±1.30
16	25	±1.00	±1.60
25	40	±1.30	±2.00
40	63	±1.60	±2.50

Nominal dimension		Tolerance class DIN 16941-3B
over	up to	
0	3	±0.40
3	6	±0.60
6	10	±0.70
10	18	±0.80
18	30	±1.00

The appropriate storage is important (optimal storage temperature +5°C to +20°C). For the storage of seals, attention should be paid to DIN 7716 (guidelines for storage, maintenance and cleaning of rubber products). If possible, wrong storage in respect to long lay days or storing times should be avoided, since the mechanical characteristics may change.

#### Elastomers - Operating temperatures and stabilities:

Materials	Operating temperatures	Hardness (± 5 Shore A)
EPDM	approx. -40°C to +100°C	25 (MG) to 90 (WG)
NBR	approx. -30°C to +100°C	25 (MG) to 90 (WG)
CR	approx. -25°C to +100°C	40 to 90
PVC	approx. -10°C to +70°C	55 to 75
Silicone	approx. -60°C to +200°C	10 to 90

MG = Foam rubber / WG = Soft rubber

#### Recommended compression for extruded sealing profile:

The compression of our sealing profiles should be 50% max., since otherwise the function (tightness) and the restoring forces are affected. In practice, the profiles are compressed between 30-50%.

It does not matter, whether it is a EPDM, NBR or a silicone profile. The mechanical properties are quite comparable (unlike the chemical resistances). If the seal is deformed beyond these limitations, there is the risk of the compression set (DVR) becoming too big, because the material deforms plastically as well.

The seal would be designed too small then.

#### Resistances:

Because of the large variety of possible chemicals, solvent (concentrations), operating temperatures and times, no evaluations concerning the possible resistances can be made at this point. In every individual case, a test under the present circumstances, like concentration, temperature and duration of the impact, is recommended.

#### Fire protection:

We supply materials certified according to the current fire protection standards for railway vehicles.  
e.g. according to DIN EN 45545-2; NF F 16-101/ -102; NFPA 130

**Whether the achieved categories fit to the respective requirements or vehicle classes has to be verified for the individual case.**  
In general, higher fire protection classes can be achieved with silicone profiles than with EPDM.

#### Disclaimer:

As a rule, disclosed values are standard values detected on sample plates and correspond to our state of knowledge. However, they do not release the end user of individual and thorough tests.

DNV-GL

## MANAGEMENT SYSTEM ZERTIFIKAT

Zertifikat-Nr.: 194710-2016-AQ-GER-DakKS Datum der Erstzertifizierung: 16. Februar 2019 Gültig: 28. Februar 2019 - 15. Februar 2022  
 Ablaufdatum des letzten Zertifizierungszyklus: 15. Februar 2019  
 Datum der letzten Rezertifizierung: 24. Januar 2019

Hiermit wird bescheinigt, dass das Unternehmen

**EMKA Beschlagteile GmbH & Co. KG**  
 Langenberger Str. 32, 42551 Velbert, Deutschland  
 sowie die im Anhang aufgeführten Standorte

ein Qualitäts-Managementsystem in Übereinstimmung mit dem folgenden Standard eingeführt hat und anwendet:

**ISO 9001:2015**

Dieses Zertifikat ist gültig für die folgenden Produkt- oder Dienstleistungsbereiche:

**Entwicklung, Herstellung und Vertrieb von mechanischen / elektronischen Verschluss- Systemen; Scharnieren, Kunststoffspritz-, Automatenrehtteilen und Sonderanfertigungen. Management des Herstellungsprozesses von Dichtungen und Druckgussteilen.**

Ort und Datum:  
Essen, 28. Februar 2019

Zertifizierungsstelle:  
DNV GL - Business Assurance  
Schlieringhof 14, 45329 Essen, Germany

Thomas Beck  
Leiter Zertifizierungsstelle

Die Verweise gegen die im Zertifizierungsvertrag genannten Bedingungen kann das Zertifikat seine Gültigkeit verlieren.  
 AKKREDITIERTE STELLE: DNV GL Business Assurance, Zertifizierung und Umweltgutachter GmbH, Schlieringhof 14, 45329 Essen, Germany.  
 TEL: +49 201 7296-222 www.dnvgl.de/assurance

DNV-GL

## MANAGEMENT SYSTEM CERTIFICATE

Certificate No: 194710-2016-AQ-GER-DakKS Initial certification date: 16. February 2019 Valid: 28 February 2019 - 15. February 2022  
 Expiry date of last certification cycle: 15. February 2019  
 Date of last recertification: 24. January 2019

This is to certify that the management system of

**EMKA Beschlagteile GmbH & Co. KG**  
 Langenberger Str. 32, 42551 Velbert, Germany  
 and the sites as mentioned in the appendix accompanying this certificate.

has been found to conform to the Quality Management System standard:

**ISO 9001:2015**

This certificate is valid for the following scope:

**Development, manufacturing and sales of mechanical / electronic locking systems; hinges, injection moulded parts, robot turned parts, specially manufactured products. Management of the production process of gaskets and die casting products.**

Place and date:  
Essen, 28. February 2019

For the issuing office:  
DNV GL - Business Assurance  
Schlieringhof 14, 45329 Essen, Germany

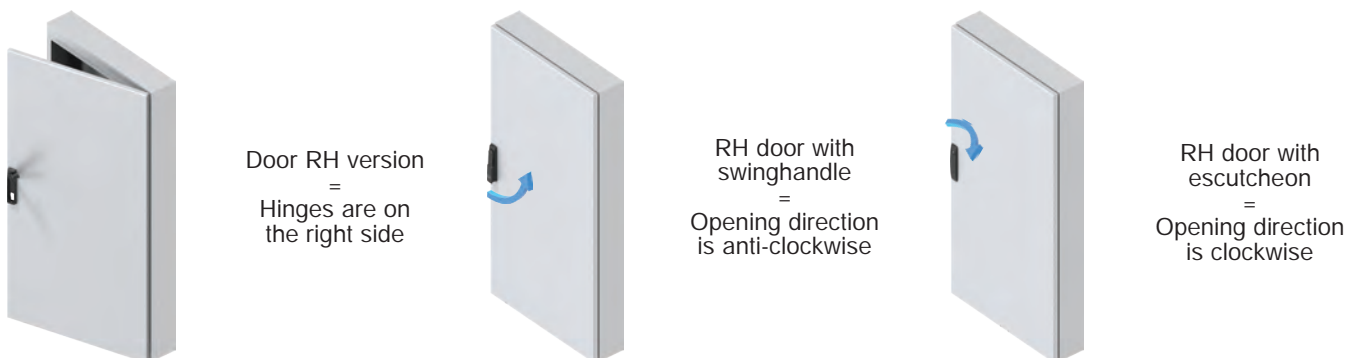
Thomas Beck  
Technical Manager

Lack of fulfilment of conditions set out in the Certification Agreement may render this Certificate invalid.  
 ACCREDITED UNIT: DNV GL Business Assurance, Zertifizierung und Umweltgutachter GmbH, Schlieringhof 14, 45329 Essen, Germany.  
 TEL: +49 201 7296-222 www.dnvgl.de/assurance

Explanation of the terms left hand/right hand door and locking direction




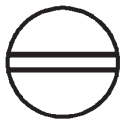




































Illustration with closed door



#### Overview of inserts

for quarter turns, escutcheons, swinghandles and further articles.

1 Quarter turns		- Square			- Slot 2 x 4	
2 Rod controls		- Square slotted			- Slot 2 x 4 coinproof	
3 Locking systems		- Triangular CNOMO			- Crown type	
4 Hinges		- Triangular			- Eastern Europe Ø 13 half-round	
5 Seals		- Double bit			- FIAT	
6 Handles		- Hexagon male			- Railway	
7 Aluminium windows		- Hexagon female			- Hexagon female with pin	
8 Miscellaneous		- Square female			- Ø 8.6 with slot	
9 Special catalogues		- Daimler Benz			- Tube	
Index		- Slot 1.2 x 3				

Further inserts on request!

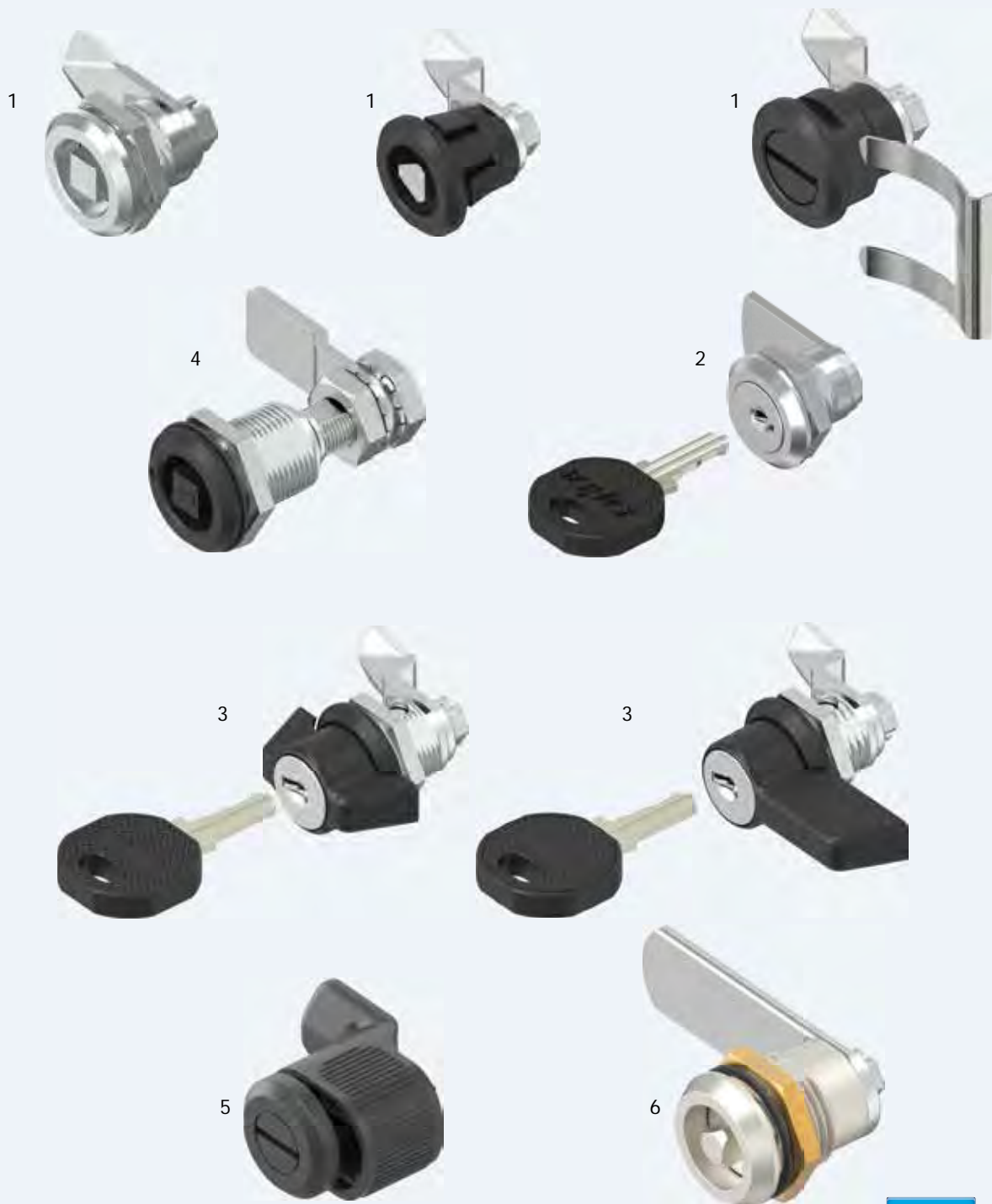
# Quarter turns

1022	1012	1000	1500	Beschlagteile
Quarter turns small version	Quarter turns, medium version	Quarter turns, large version	Quarter turns, clip fix version	
1A-100	1A-100	1B-100, 1C-100	1D-100	see catalogue page
•	•	•	•	screw-on
•		•		clip-in
•		•		with spring fixing
		•		weld-on
			•	clip fix
IP 65	IP 65	IP 65 / IP 66 / IP 69K	IP 65	IP-Rating
20 / 22	22	28 / 30 / 32 / □28	30	Head diameter
3	4	4 / 5 / 6 / 24	4 / 6	Head height
13.5	20	18-60	15 / 18	Housing length GH
•		•	•	Quarter turn made of polyamide
•	•	•		Quarter turn made of zinc die
		•		Quarter turn made of m.s.
•		•		Quarter turn made of stainless steel
•		•		Seal loose
		•	•	Seal foamed
		•	•	Cam made of polyamide
•	•	•	•	Cam made of m.s.
•		•	•	Cam made of stainless steel
•	•	•	•	Insert
•		•	•	Round cylinder
•		•	•	Wing knob
		•	•	T-handle
		•	•	L-handle
		•		Radial pin cylinder
		•		for padlock
		•		Safety quarter turn
•		•		Compression latch
		•		Fire brigade lock
		•		Quarter turn railway
		•		FIAT quarter turn
		•		Quarter turn for Swedish power comp.
		•		Slam cam
		•		Hook lever lock
•	•	•		Dust cap
		•		Finger pull
		•		Inside handle



# Quarter turns

## Small and medium version, Program 1012, 1022



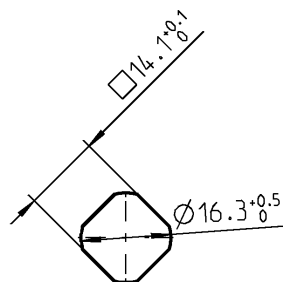
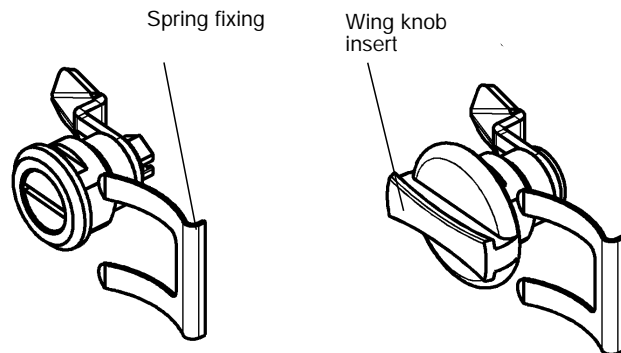
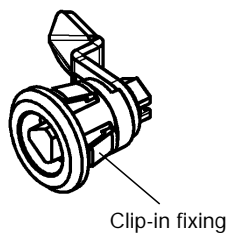
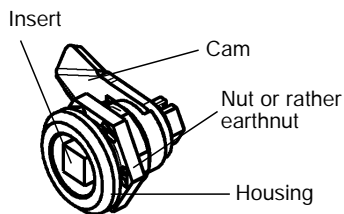
- |   |  |        |
|---|--|--------|
| 1 | Quarter turns with insert                | 1A-120 |
| 2 | Cylinder quarter turns                   | 1A-160 |
| 3 | Wing knob quarter turns                  | 1A-140 |
| 4 | Compression latch                        | 1A-220 |
| 5 | Quarter turns for assembly without tools | 1A-320 |
| 6 | Quarter turns with insert                | 1A-420 |



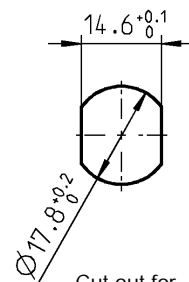
# 1A-100

# Quarter turns, small version

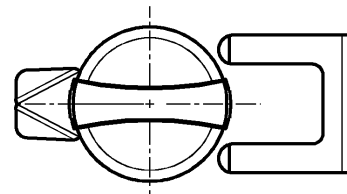
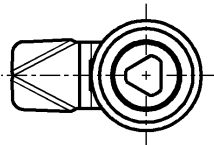
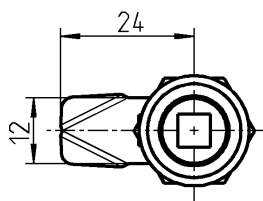
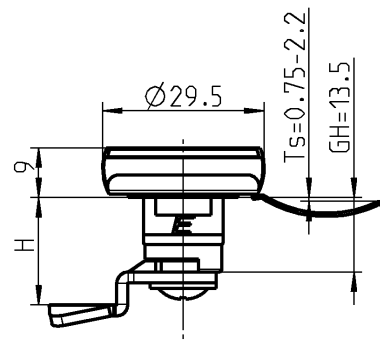
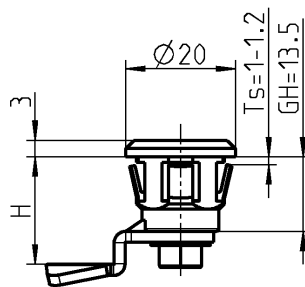
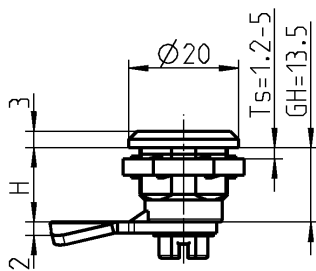
## PROGRAM 1022



Cut out for  
nut fixing and  
clip-in fixing



Cut out for  
spring fixing

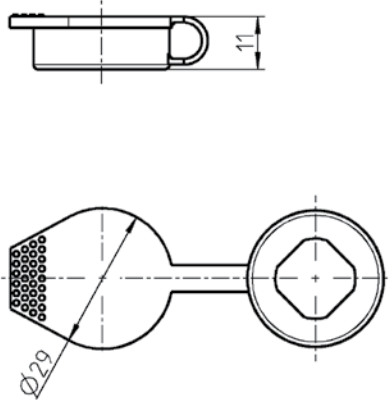
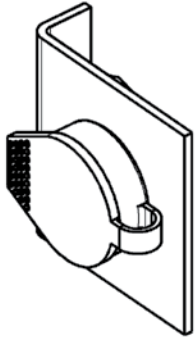


Housing zinc die, polyamide or. stainless steel.; nut or spring fixing m.s. zinc-plated or stainless steel;  
with seal (only for stainless steel Version)

	Zinc die chrome plated	Zinc die black powder coated	Stainless steel AISI 303	Polyamide black	
mit Mutter <sup>1)</sup> m.s. <sup>2)</sup> AISI 303	1022-U8 <sup>1)</sup>	1022-U46 <sup>1)</sup>	1022-U60 <sup>2)</sup>	1022-U71 <sup>1)</sup>	
with earthing nut m.s.	1022-U9	1022-U47	-	-	
Clip-in fixing	-	-	-	1022-01-02	
with spring fixing	1022-U76	1022-U77	-	1022-U78	
<b>Insert zinc die, polyamide or stainless steel; fixing material m.s. zinc-plated; with seal (only for stainless steel version)</b>					<b>Key zinc die black</b>
Square 6	1022-U2	1022-U44	1022-U61	1022-U72	1004-20
Triangular 6.5	1022-U1	1022-U43	1022-U62	1022-U73	1004-21
Slot 1.5 x 3	1022-U3	1022-U45	1022-U63	1022-U74	-
Blank	1022-U4	-	1022-U64	1022-U75	-
Wing knob insert	-	-	-	1022-U82	-



### Accessories



**Attention:**  
Not suitable for housings with spring or clip-in fixing.



- 1 Quarter turns
- 2 Rod controls
- 3 Locking systems
- 4 Hinges
- 5 Seals
- 6 Handles
- 7 Aluminium windows
- 8 Miscellaneous
- 9 Special catalogues

Cam, material of choice, t = 2		
	m.s. zinc-plated	AISI 304
H = 7.5	1022-20	1022-20-PC
13.5	1022-07	1022-07-PC
19.5	1022-08	1022-08-PC
IP 65 achieved by:		
- O-ring (included in case of stainless steel version)		1022-09
- Flat seal (only for screw-on housing, included in case of stainless steel version)		1022-10
Assembly on request		
without O-ring		1022-990
with O-ring		1022-991
Accessories		
Dust cap polyethylene black		1022-23-01

**Attention:**  
When dust cap 1022-23-01 is used, dimension H reduces by 2 mm.  
Not suitable for housings with spring or clip-in fixing.

**Application area:**  
Small doors and flaps

## Wing knob quarter turns, small version PROGRAM 1022

### Beschlagteile

Info

1 Quarter turns



2 Rod controls



3 Locking systems



4 Hinges

5 Seals

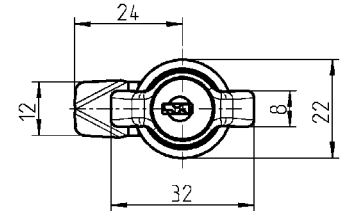
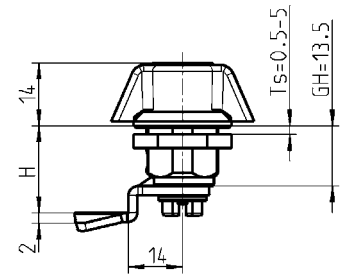
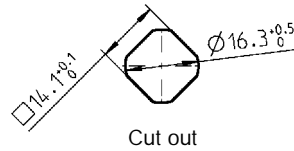
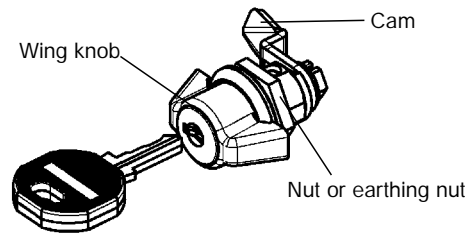
6 Handles

7 Aluminium windows

8 Miscellaneous

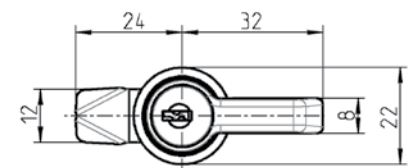
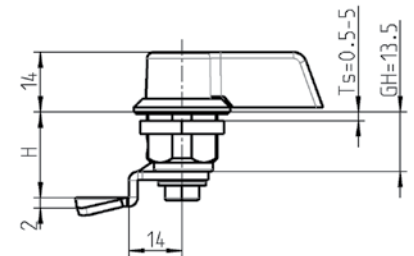
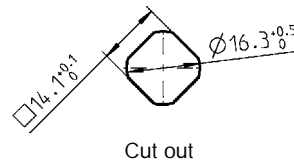
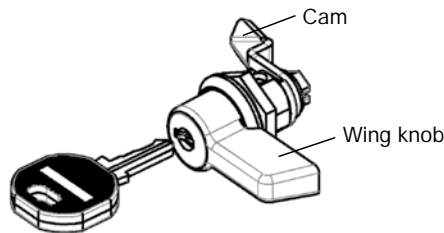
9 Special catalogues

Index



Wing knob with housing zinc die, round cylinder zinc die with stainless steel cap, nut or earthing nut and screw m.s. zinc-plated.  
Each round cylinder has one silver steel key with polyamide grip GF black.

non locking *	keyed 2233X	keyed different		non locking *	keyed 2233X	keyed different
chrome-plated				black powder-coated		
1022-U29	1022-U31	1022-U33	Nut	1022-U37	1022-U39	1022-U41
1022-U30	1022-U32	1022-U34	Earthing nut	1022-U38	1022-U40	1022-U42
Cam m.s. zinc-plated, t = 2						
H = 7.5	1022-20	H = 13.5	1022-07	H = 19.5	1022-08	



Wing knob with housing zinc die, round cylinder zinc die with stainless steel cap, nut or earthing nut and screw m.s. zinc-plated.  
Each round cylinder has one silver steel key with polyamide grip GF black.

non locking *	keyed 2233X	keyed different		non locking *	keyed 2233X	keyed different
chrome-plated				black powder-coated		
1022-U48	1022-U50	1022-U52	Nut	1022-U54	1022-U56	1022-U58
1022-U49	1022-U51	1022-U53	Earthing nut	1022-U55	1022-U57	1022-U59
Cam m.s. zinc-plated, t = 2						
H = 7.5	1022-20	H = 13.5	1022-07	H = 19.5	1022-08	

\* = IP 65

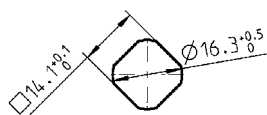
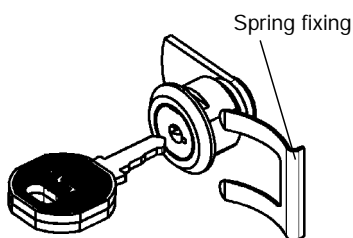
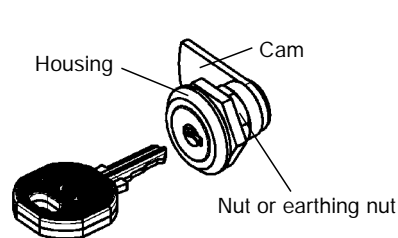
Application area:  
Small doors and flaps

Further parts see page  
– Spare key

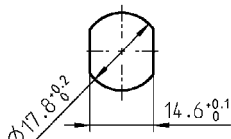
8B-140

# Cylinder quarter turn, small version

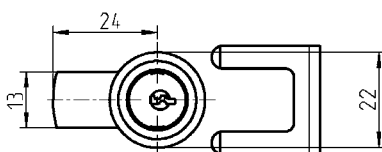
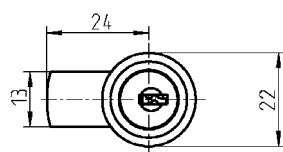
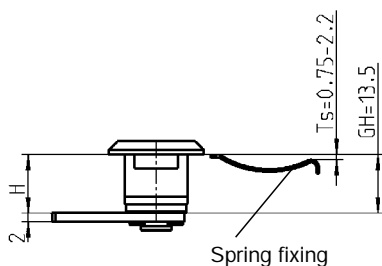
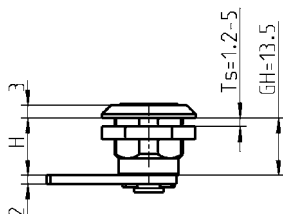
## PROGRAM 1022



Cut out for nut fixing



Cut out for spring fixing



Cylinder quarter turn material of choice, zinc die chrome plated or polyamide GF black, round cylinder zinc die with stainless steel cap, nut or earthing nut and circlip m.s. zinc-plated

- 1) with one key silver steel and polyamide GF grip black
- 2) with one key m.s. nickel plated

	H	Zinc die with nut	Zinc die with earthing nut	Polyamide with nut
		1)	1)	2)
keyed 2233X	7.5	1022-U16	1022-U22	1022-U65
	13.5	1022-U17	1022-U23	1022-U66
	19.5	1022-U18	1022-U24	1022-U67
keyed different	7.5	1022-U19	1022-U25	1022-U68
	13.5	1022-U20	1022-U26	1022-U69
	19.5	1022-U21	1022-U27	1022-U70
	H	Zinc die with spring fixing 1)		
		1)		
keyed 2233X	7.5	1022-U10		
	13.5	1022-U11		
	19.5	1022-U12		
keyed different	7.5	1022-U13		
	13.5	1022-U14		
	19.5	1022-U15		

Application area:  
Small doors and flaps

Further parts see page  
– Spare key 8B-140

Info

1 Quarter turns

2 Rod controls

3 Locking systems

4 Hinges

5 Seals

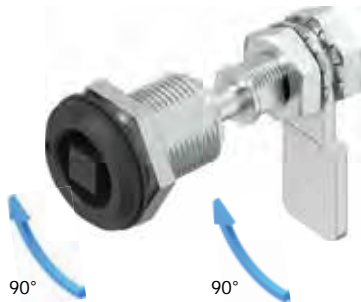
6 Handles

7 Aluminium windows

8 Miscellaneous

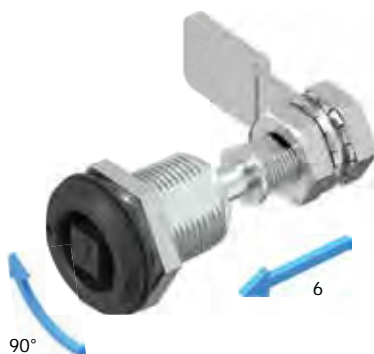
9 Special catalogues

Index



### Open condition

By turning the insert by 90° the cam is turned.



### Closed condition

Further rotation of the insert by 90° moves the cam 6 mm in axial direction.



### Compressed condition

#### Open:

Reversed motion

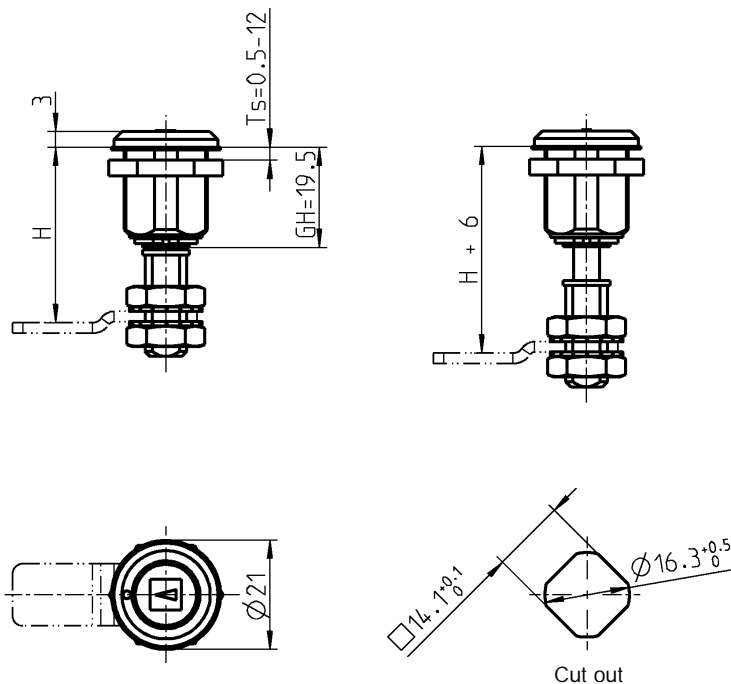
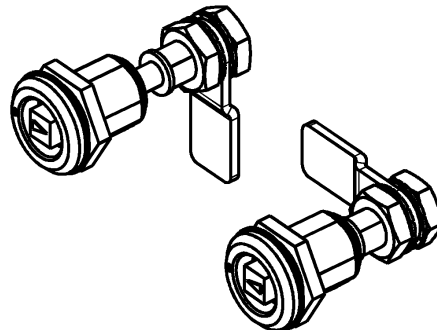
#### Further parts see page

- Dust cap 1A-120
- Cam 1A-240
- Key 8B-120

### Tamper and vibration proof

The compression latch is designed to be vibration-proof as such.

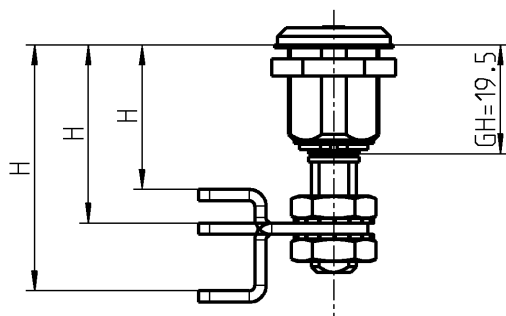
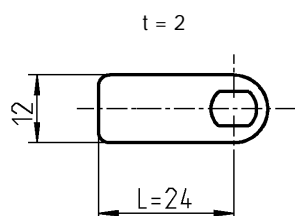
Depending on the installation location and operational conditions, specific checks are necessary and/or supplementary measures of fastening required.



max. torque 2.5 Nm

Housing and insert zinc die, shaft and nut m.s. zinc-plated, with spring and seal

	black powder-coated	chrome-plated
Square 6	1022-U83	1022-U83-IA
Triangular 6.5	1022-U85	1022-U85-IA
Hexagon female SW 5	1022-U94	on request
Slot 1.5 x 3	1022-U84	1022-U84-IA



straight cam



cranked cam

Cam m.s. zinc-plated

for GH = 19.5 mm

H

GH = 19.5

straight

25.5 - 32.5

1022-49

Offset 6 mm

19.5 - 26.5; 31.5 - 38.5

1022-50

Offset 12 mm

13.5 - 20.5; 37.5 - 44.5

1022-51

**Note:**

Cranked cam is reversible

**Further parts see page**

– Compression latch 1A-220

Info

1 Quarter turns

2 Rod controls

3 Locking systems

4 Hinges

5 Seals

6 Handles

7 Aluminium windows

8 Miscellaneous

9 Special catalogues

Index



Patented, self-sealing design

Assembly and disassembly without tools

#### Assembly instruction:

Assembly door stop on the right: Pre-mounted insert part is inserted in the cut out when closed. Then fixed with snap-in cam.

Assembly door stop on the left: Pre-mounted insert part is inserted in the cut out when opened. Then fixed with snap-in cam.

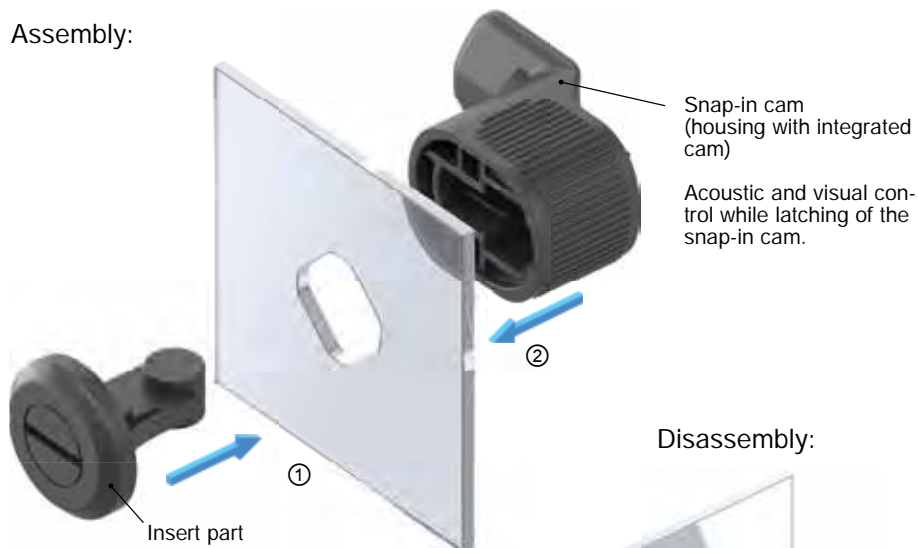
Other door thicknesses on request!

Other snap-in cams on request!

Further parts see page

– Key 8B-120

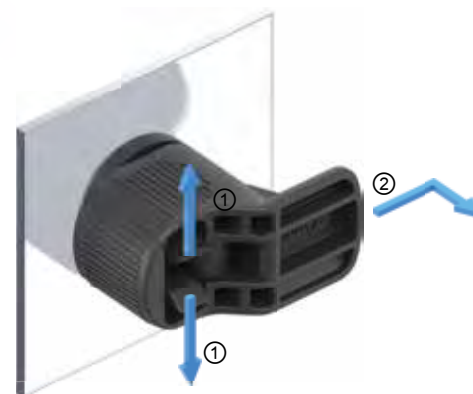
Assembly:



Snap-in cam (housing with integrated cam)

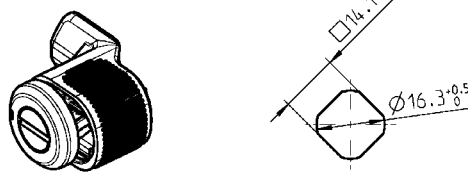
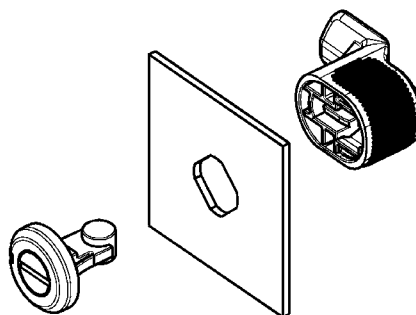
Acoustic and visual control while latching of the snap-in cam.

Disassembly:

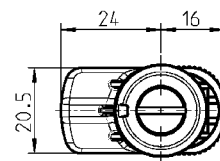
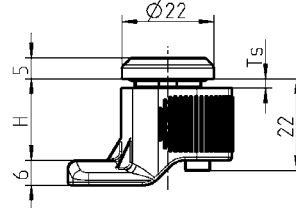


#### Note: IP 69K test passed!

The basic principle of the patented solution is: the higher the closing force, the greater the tightness. The IP 69K Rating was achieved in the test with a cam pretension of  $\geq 1$  mm and  $\geq 65$  N



Cut out



#### Insert part polyamide GF black; with seal

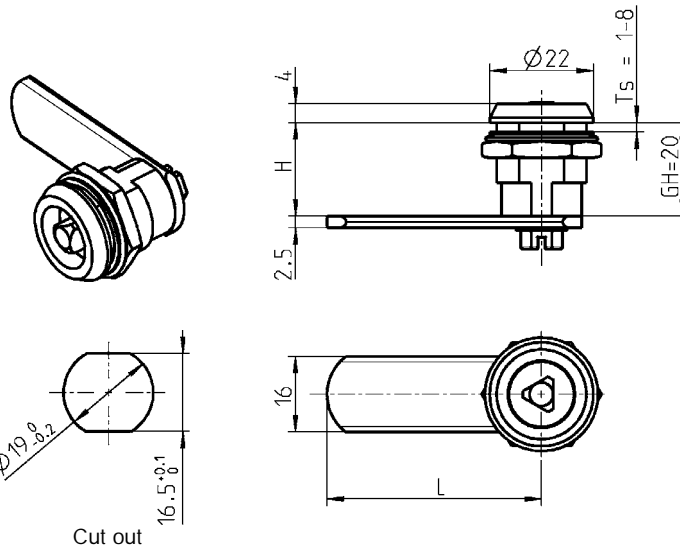
Square 6	1022-U89
Triangular 6.5	1022-U90
Slot 1.5 x 3	1022-U91

#### Snap-in cam polyamide GF black

Ts	H	
0.5 - 1.0 including surface coating	7.5	1022-56-01
	13.5	1022-56-02
	19.5	1022-56-03
1.0 - 1.5 including surface coating	7.5	1022-55-01
	13.5	1022-55-02
	19.5	1022-55-03
1.5 - 2.0 including surface coating	7.5	1022-54-01
	13.5	1022-54-02
	19.5	1022-54-03

# Quarter turn with built-in options, medium version

PROGRAM 1012



2 in 1

Version A

Version B

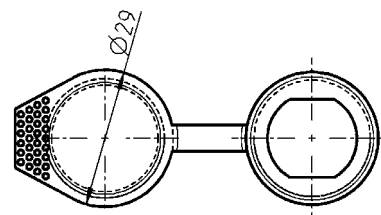
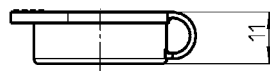
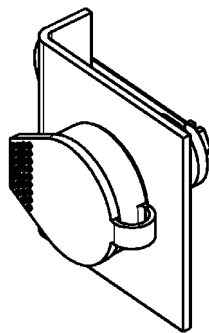


This quarter turn has two options.

**Version A:**  
Push cam back using insert and turn.  
Cam snaps into place.

**Version B:**  
Turn insert.  
Quarter turn does not snap into place.

**Note:**  
The quarter turn is of a vibration-proof design. Depending on the installation location and operational conditions, specific checks are necessary and/or supplementary measures of fastening required.



Complete quarter turn:  
Housing with insert zinc die nickel plated,  
nut brass, screw m.s. zinc-plated,  
with spring and seal

Key

Square 7	1012-U2	1004-36
Triangular 6.5	1012-U1	1004-21
Double bit 3	1012-U3	1004-34
Slot 2 x 2.5 coinproof	1012-U4	-

Cam m.s. zinc-plated

H = 20; L = 46 1012-05

Toothed lock washer spring steel zinc-plated

1012-06-JG

Dust cap polyethylene black

1012-08

**Attention:**  
When dust cap 1012-08 is used,  
dimension H  
reduces by 2 mm.

**Other inserts available on request!**

Cams with other  
H- and L-dimensions on request.



# Quarter turns Large version Program 1000







10



11



12



13



14



15



16



13



17



18

- |    |  |                                    |
|----|--|------------------------------------|
| 1  | Quarter turn screw-on, e.g. with insert              | 1B-120 to 1B-360, 1B-680 to 1B-860 |
| 2  | Quarter turn with spring fixing, e.g. with insert    | 1B-160                             |
| 3  | Clip-in quarter turn, e.g. with wing knob            | 1B-160, 1B-760                     |
| 4  | Safety quarter turn                                  | 1B-320 to 1B-360                   |
| 5  | Quarter turn with stepped cam, e.g. with star handle | 1B-240                             |
| 6  | Radial pin-push cylinder                             | 1B-380                             |
| 7  | Cylinder quarter turn                                | 1B-420                             |
| 8  | Wing knob quarter turn                               | 1B-540                             |
| 9  | T-handle quarter turn                                | 1B-520, 1B-560                     |
| 10 | L-handle quarter turn                                | 1B-580 to 1B-640                   |
| 11 | Wing knob quarter turn for padlock                   | 1B-680                             |
| 12 | Quarter turn with insert for padlock                 | 1B-680                             |
| 13 | Compression latch                                    | 1B-220 to 1B-235                   |
| 14 | Stainless steel compression latch for hygienic areas | 1B-837                             |
| 15 | Stainless steel quarter turn for hygienic areas      | 1B-835                             |
| 16 | Wing knob quarter turn for ASSA cylinder             | 1B-840                             |
| 17 | Quarter turn, screw-on or weld-on                    | 1B-820                             |
| 18 | Quarter turn for profile half cylinder               | 1B-850                             |



# 1B-100



Quarter turn  
pre-assembled



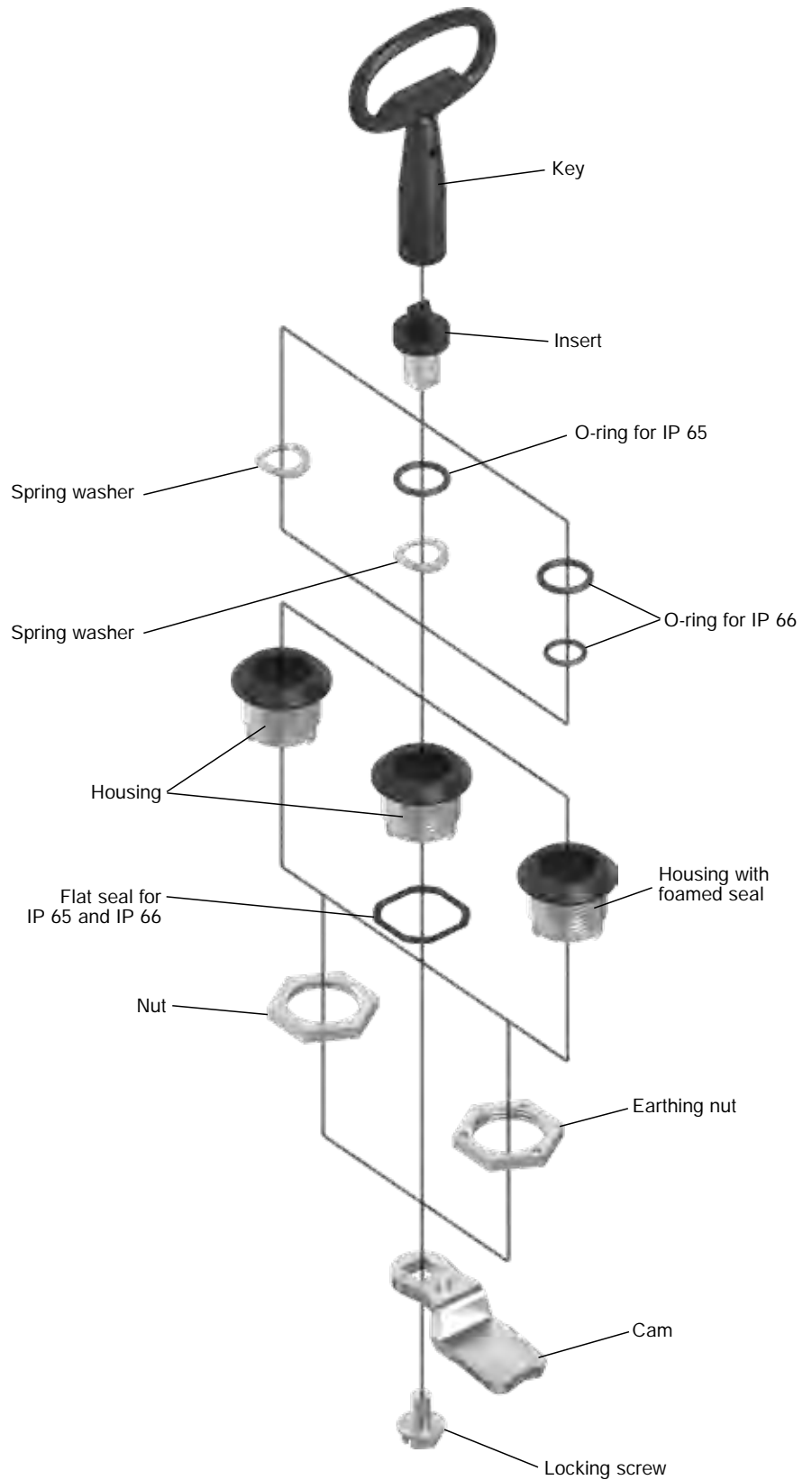
Pass through cut out



Assemble the nut



Quarter turn ready installed



#### Screw-in safety earthing quarter turn program

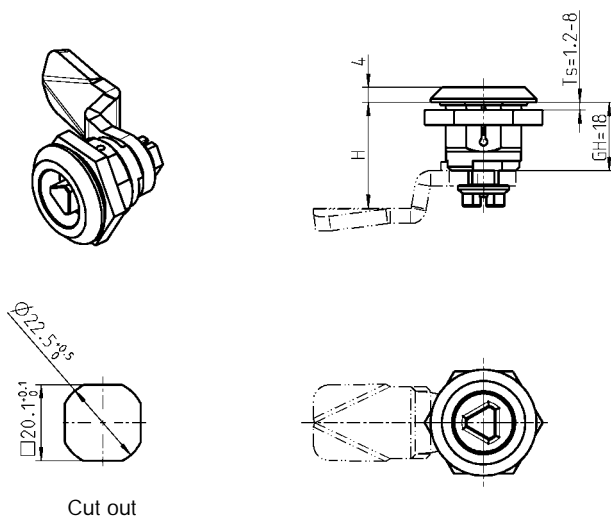
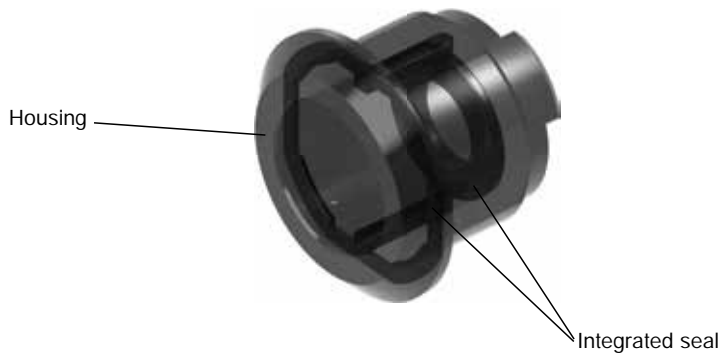
When using the illustrated earthing nut, the screw-in quarter turn complies with VDE regulation 0660/Part 5.

The earthing nut is provided with teeth and removes the lacquer coating in a limited area when tightened, thus ensuring metallic bonding.

Underlaid serrated washers are no longer sufficient for the paint qualities used today.

# Quarter turn with integrated seal IP 65

## PROGRAM 1000



Cut out

Housing polyamide 6 GF 30 black with integrated TPE seal\*, nut m.s. zinc-plated

Head diameter	28	32
Head height	4	6
	1000-U155-D	1000-U46-D

Insert polyamide 66 GF 50 black with screw m.s. zinc-plated

Square 7	1000-U184-N2
Square 8	1000-U185-N2
Triangular 8	1000-U186-N2
Double bit 3	1000-U187-N2
Double bit 5	1000-U188-N2
Slot 2 x 4	1000-U196-N2

Assembly on request

1000-990

\* The TPE seal provides protection against penetration of water, aqueous solution, alcohol, antifreeze, saline solution (15 %), sulphuric acid (98 %), hydrochloric acid and caustic soda. A very good resistance against hydrolysis is provided. With prolonged contact with oils and fuels, there is the problem of swelling or hardening. Occasional wetting with these media is unproblematic.

### Attention:

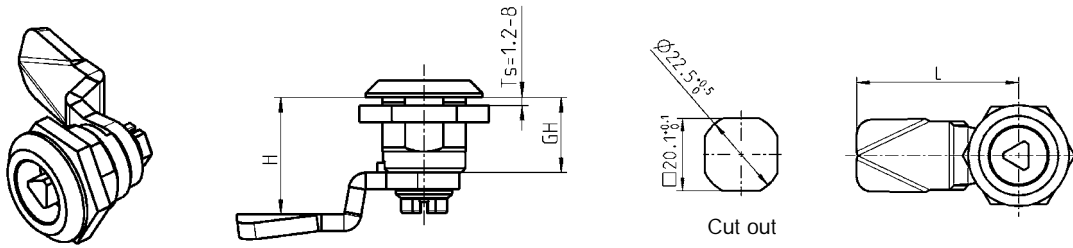
In case of assembly by the customer the insert must be lubricated (vaseline).

### Further parts see page

– Cam with catch	to	1C-120
	from	1C-180
– Accessories		3B-140
– Escutcheon		8B-120
– Key		

# Quarter turn, Housing GH = 18 and 30 - 60, Insert, Seal

## PROGRAM 1000



Housing material of choice, nut or earthing nut m.s. zinc-plated or nut stainless steel

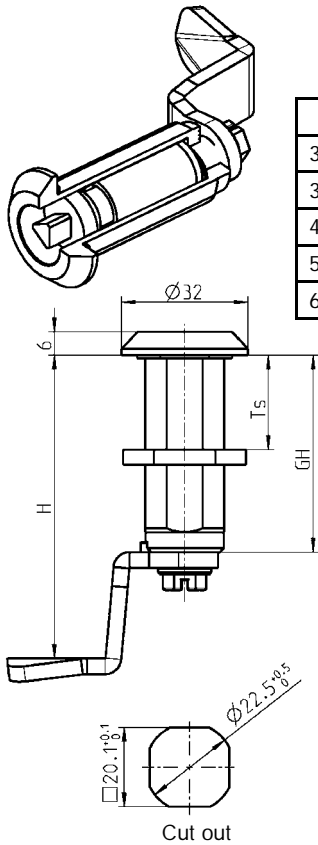
Head diameter	Ø28		Ø30		Ø32		Ø28	
GH = 18 mm								
Head height	4	4	4	4	6	6	4	4
	Nut	Earthing nut	Nut	Earthing nut	Nut	Earthing nut	Nut	Earthing nut
Zinc die chrome-plated	1000-U45	1000-U56	1000-U47	1000-U55	1000-U7	1000-U54	1000-U330	1000-U332
Zinc die chrome-plated (with foamed seal)	1000-U45-G	1000-U56-G	1000-U47-G	1000-U55-G	1000-U7-G	1000-U54-G	-	-
Zinc die black powder-coated	1000-U223	1000-U224	1000-U221	1000-U222	1000-U219	1000-U220	1000-U331	1000-U333
Zinc die black powder-coated (with foamed seal)	1000-U223-G	1000-U224-G	1000-U221-G	1000-U222-G	1000-U219-G	1000-U220-G	-	-
Polyamide GF V0 black	1000-U155	-	-	-	1000-U46	-	-	-
Polyamide GF V0 black (with foamed seal)	1000-U155-G	-	-	-	on request	-	-	-
Stainless steel AISI 303 (with foamed seal)	1000-U134	-	-	-	-	-	-	-
Stainless steel AISI 316 (with foamed seal)	1000-U530	-	-	-	-	-	-	-

Insert zinc die, polyamide or stainless steel; fixing material m.s. zinc-plated or stainless steel; with seal (only for stainless steel version)	Zinc die chrome-plated	Zinc die black powder-coated	Polyamide 66 GF 50 black	Stainless steel AISI 303	Stainless steel AISI 316
	1000-U17	1000-U322	-	1000-U351	-
	1000-U1	1000-U323	1000-U184-N	1000-U135	1000-U531
	1000-U2	1000-U324	1000-U185-N	1000-U136	1000-U532
	1000-U18	-	-	1000-U352	-
	1000-U197	-	-	-	-
	1000-U3	1000-U325	-	1000-U334	1000-U536
	1000-U4	1000-U326	1000-U186-N	1000-U335	1000-U537
	1000-U194	-	-	-	-
	1000-U249	-	-	-	-
	1000-U5	1000-U327	1000-U187-N	1000-U183	1000-U533
	1000-U6	1000-U328	1000-U188-N	1000-U137	1000-U534
	1000-U96	-	-	-	-
	1000-U168	-	-	-	-
	1000-U182	-	-	-	-
	1000-U169	-	-	-	-
	1000-U20	-	-	-	-
	1000-U195	-	-	-	-
	1000-U142	1000-U329	1000-U196-N	1000-U630	1000-U631
	1000-U738	1000-U739	-	-	-
	1000-U336	-	-	-	-
	1000-U509	-	-	1000-U729	-
	1000-U757	-	-	1000-U757-01	-
	-	Zinc die black powder-coated	Polyamide GF / Zinc die black	Polyamide GF black / AISI 303	-
	-	-	1000-U13	1000-U138	-
	-	-	1000-U78	1000-U510	-
	-	1000-U910	-	-	-

### Assembly instruction



GH	Ts
30 mm	1.5 mm to 20 mm
36 mm	1.5 mm to 26 mm
40 mm	1.5 mm to 30 mm
50 mm	1.5 mm to 40 mm
60 mm	1.5 mm to 50 mm



IP 65 achieved by:	
** Flat seal	1000-23
** O-Ring	1000-24
IP 66 achieved by:	
Seal set	1000-U769
IP 69K achieved by:	
* Seal set	1000-U841
Assembly on request	
without O-ring	1000-990
with O-ring	1000-991

Housing material of choice; nut or earthing nut m.s. zinc-plated or nut stainless steel; adapter zinc die or AISI 303; screw m.s. zinc-plated or stainless steel

GH in mm	Zinc die chrome-plated		Zinc die black powder-coated		Polyamide black Nut	AISI 316 / 303 Nut
	Nut	Earthing nut	Nut	Earthing nut		
30	1000-U51	1000-U65	1000-U225	1000-U226	1000-U876	1000-U878
- Adapter	1000-U164					1000-U879
36	1000-U246	1000-U248	1000-U317	1000-U318	-	-
- Adapter	1000-U198					-
40	1000-U66	1000-U67	1000-U227	1000-U228	1000-U737	-
- Adapter	1000-U165					-
50	1000-U68	1000-U69	1000-U229	1000-U230	1000-U736	-
- Adapter	1000-U166					-
60	1000-U504	1000-U505	1000-U506	1000-U507	-	-
- Adapter	1000-U535					-

\*\* included in case of stainless st. version

\* Seal set only available completely assembled with housing, insert and cam

**Note:**  
Quarter turn assembly 1B-105

**Further parts see page**  
- Housing 1B-760  
1B-680  
1B-820

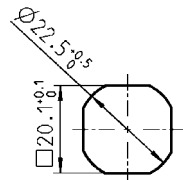
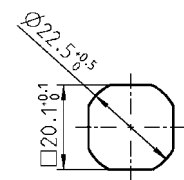
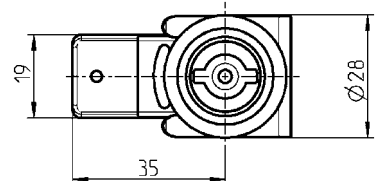
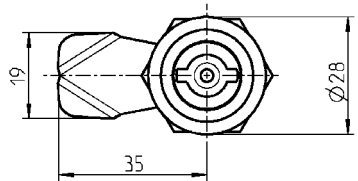
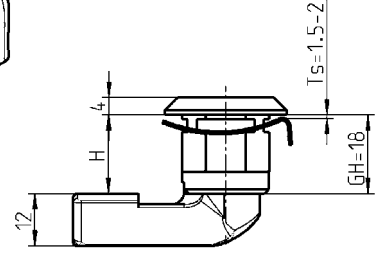
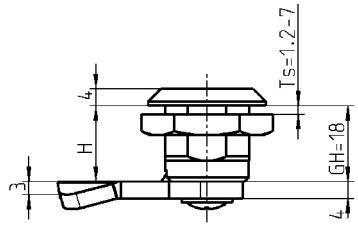
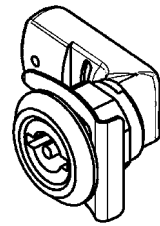
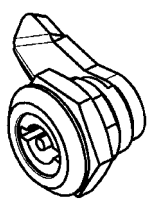
- Quarter turn with stepped cam 1B-240  
- Cam with catch 1C-120  
to 1C-180  
- Accessories from 1C-170  
- Insert with wing knob 1B-720  
- Escutcheon 3B-140  
- Prominent door lock 8A-220  
8B-120

# Plastic quarter turn

## PROGRAM 1000

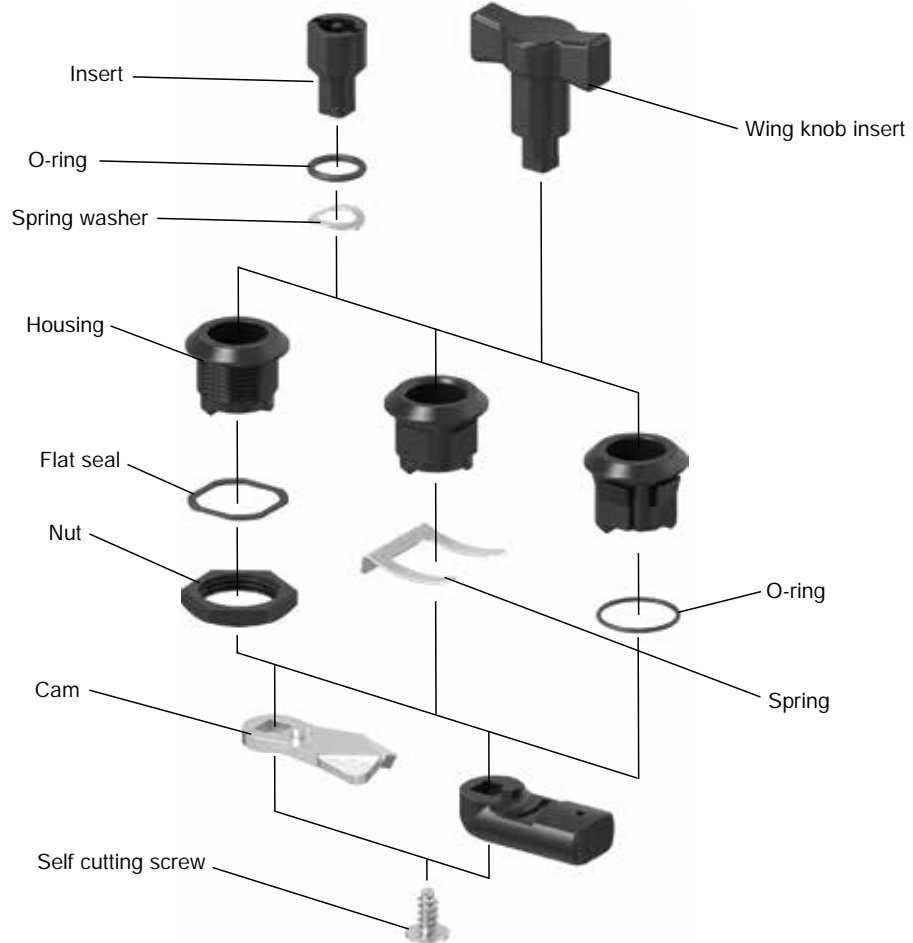
### Nut fixing

### Spring fixing

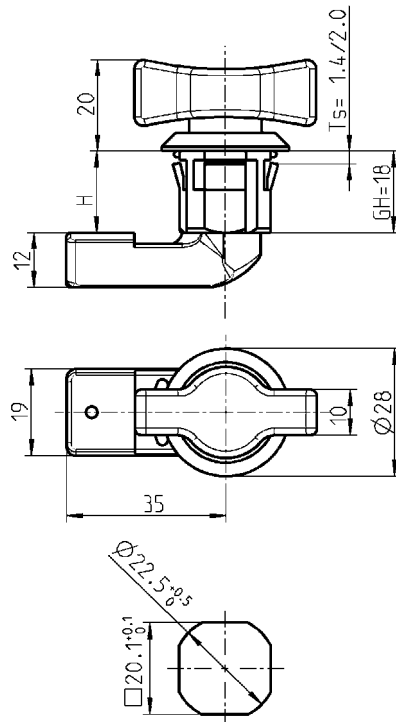
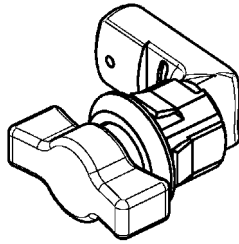


Cut out

Cut out



### Clip-in fixing



Cut out



Housing polyamide GF black with nut or spring fixing AISI 301		Housing polyamide black with O-ring	
*Nut fixing	Spring fixing	Ts	clip-in
1000-U675	1000-U709	1.4 *	1000-U695
		2.0	1000-U696
Insert polyamide black, spring washer and self cutting screw m.s. zinc-plated			
Square 7			1000-U666
Square 8			1000-U676
Triangular 8			1000-U667
Double bit 3			1000-U677
Double bit 5			1000-U678
Slot 2 x 4			1000-U679
Eastern Europe Ø 13 half-round			1000-U680
Wing knob insert (IP 50) IP 65 on request			1000-U711
Cam material of choice			
H	m.s. zinc-plated, t = 4	Polyamide black	
18	1000-5046	1000-386-18	
20	1000-5161	1000-386-20	
22	1000-5119	1000-386-22	
24	-	1000-386-24	
28	1000-5164	1000-386-28	
30	-	1000-386-30	
IP 65 (*see housing) achieved by:			
Flat seal (nut fixing only)		1000-23	
O-ring		1000-24	

**Note:**  
Quarter turn assembly 1B-105

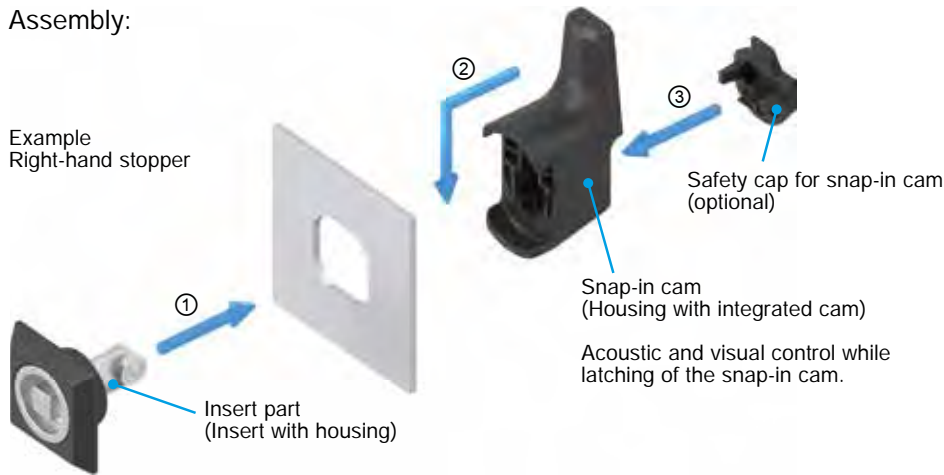
**Further parts see page**  
 – Insert with wing knob 1B-720  
 – Finger pull (nut fixing only) 1C-320  
 – Dust cap (nut fixing only) 1C-320  
 – Key 8B-120

# Quarter turn for assembly without tools

## PROGRAM 1000

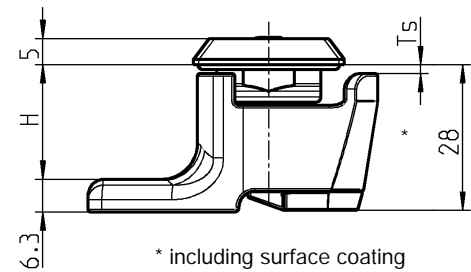
Assembly:

Example  
Right-hand stopper



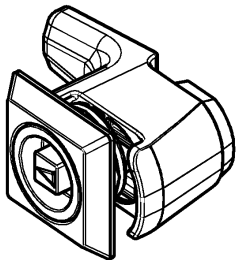
### Product benefits

- Cost savings due to toolless assembly within seconds
- Smooth handling (conceptually no internal tension)
- Safety cap optional
- Self-sealing construction for highest protection requirements
- High overwinding safety
- Standard cut out
- Patented



### Version 1

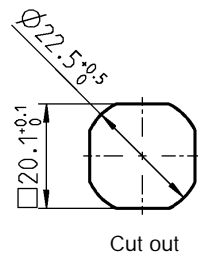
Assembly instruction



Door LH version

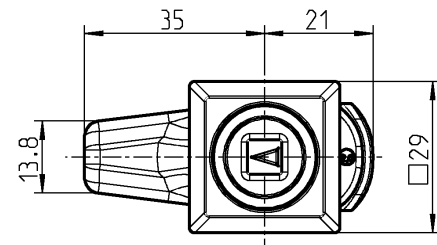


Door RH version



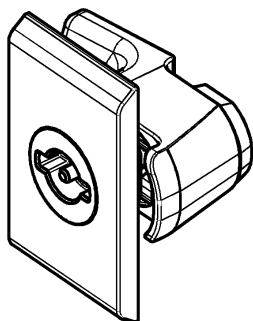
Cut out

### Version 1

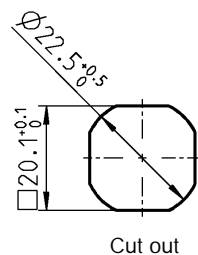


### Version 2

Assembly instruction

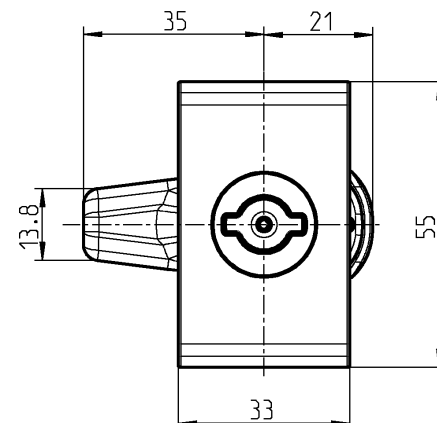


Door RH version



Cut out

### Version 2





Version 2  
Disassembly instructions



Version 2  
Conversion instructions for change of stopper



1 Quarter turns

2 Rod controls

3 Locking systems

4 Hinges

5 Seals

6 Handles

7 Aluminium windows

8 Miscellaneous

9 Special catalogues

Index

### Housing insert unit

Version 1: Housing polyamide GF black with foamed seal  
Version 2: Housing plate polyamide GF black with integrated TPE seal;  
90° stopper polyamide GF black for version 2;  
insert zinc die with O-ring

	Version 1 <sup>Ⓐ</sup>	Version 2 <sup>Ⓑ</sup>
Ⓐ = Foamed seal Ⓑ = TPE seal		
Square 7	1000-U902	1000-U914
Square 8	1000-U903	1000-U915
Square 8 with thread M6 for wing knob	1000-U908	on request
Triangular 8	1000-U904	1000-U916
Double bit 3	1000-U905	1000-U913
Slot 2 x 4	1000-U907	1000-U917

### Snap-in cam polyamide GF black

H	Ts = 1.0 - 1.5 *	Ts = 1.5 - 2.0 *	Ts = 2.5 - 3.0 *
18	1000-590	1000-591	1000-593
22	1000-594	1000-595	1000-597
24	1000-598	1000-599	1000-601

### Safety cap for snap-in cam polyamide black

	1000-603
--	----------

### Housing

Version 2: Housing plate polyamide GF silver grey metallic with integrated TPE seal;  
90° stopper polyamide GF silver grey metallic

	Version 2
	1000-U972

### Insert zinc die with O-ring

Square 7	1000-U973
Square 8	1000-U974
Square 8 with thread M6 for wing knob	1000-U975
Triangular 8	1000-U976
Double bit 3	1000-U977
Slot 2 x 4	1000-U978

### Snap-in cam polyamide GF silver grey metallic

H	Ts = 1.0 - 1.5 *	Ts = 1.5 - 2.0 *	Ts = 2.5 - 3.0 *
18	1000-590-CX	1000-591-CX	1000-593-CX
22	1000-594-CX	1000-595-CX	1000-597-CX
24	1000-598-CX	1000-599-CX	1000-601-CX

### Safety cap for snap-in cam polyamide silver grey metallic

	on request
--	------------

Version 1



Version 2



Version 2



\* Including surface coating

Further parts see page  
– Wing knob for insert 1B-720  
– Key 8B-120

Info

1 Quarter turns

2 Rod controls

3 Locking systems

4 Hinges

5 Seals

6 Handles

7 Aluminium windows

8 Miscellaneous

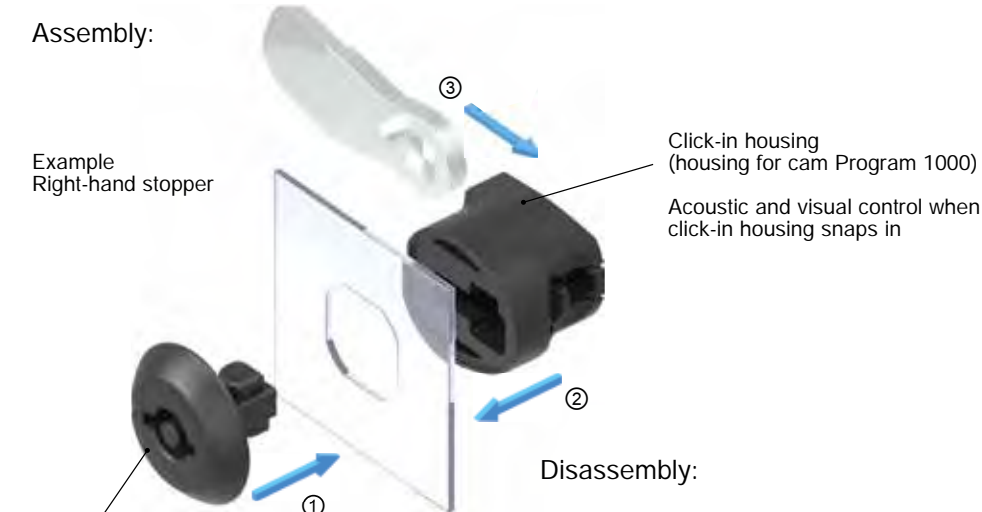
9 Special catalogues

Index



Assembly:

Example Right-hand stopper



Click-in housing (housing for cam Program 1000)  
Acoustic and visual control when click-in housing snaps in

Disassembly:



Patented, self-sealing design

Assembly and disassembly without tools

**Product benefits**

- Cost savings due to toolless assembly within seconds
- Alternatively available with polyamide or steel cam
- Suitable for many standard cams
- Clamping force with steel cam corresponds to EMKA standard quarter turn made of zinc die
- Smooth handling (conceptually no internal tension)
- Self-sealing construction for highest protection requirements (design immanent)
- High overwinding safety
- Standard cut out
- Patented

**Assembly Instruction:**

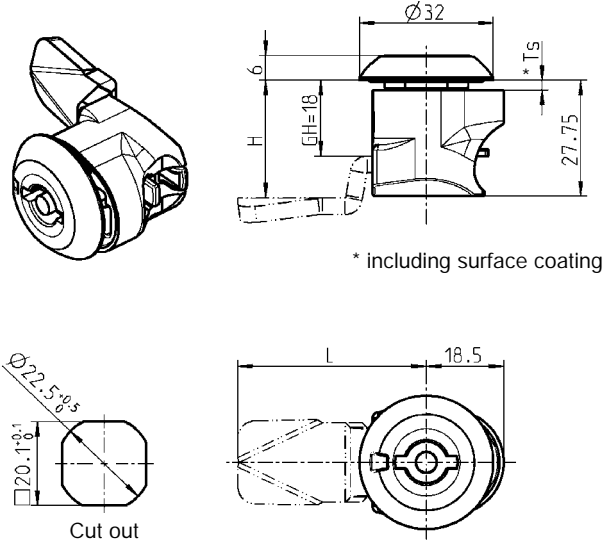
Assembly door stop on the right: Pre-mounted insert part is inserted in the cut out when closed. Then fixed with click-in housing.

Assembly door stop on the left: Pre-mounted insert part is inserted in the cut out when opened. Then fixed with click-in housing.

**Other door thicknesses on request!**

Further parts see page

- Cam (Version 1, GH = 18) 1C-120
- Key 8B-120



Insert part polyamide GF black; with seal	
Square 7	1000-U883
Square 8	on request
Triangular 8	on request
Double bit 3	1000-U895
Double bit 5	1000-U873
Slot 1.5 x 3	on request
Click-in housing polyamide GF black, for cam Program 1000	
Ts = 0.5 - 1.0 mm incl. surface coating	1000-551-02
Ts = 1.0 - 1.5 mm incl. surface coating	1000-551-01
Ts = 1.5 - 2.0 mm incl. surface coating	1000-551

# Compression latch

## PROGRAM 1000

### Tamper and vibration-proof

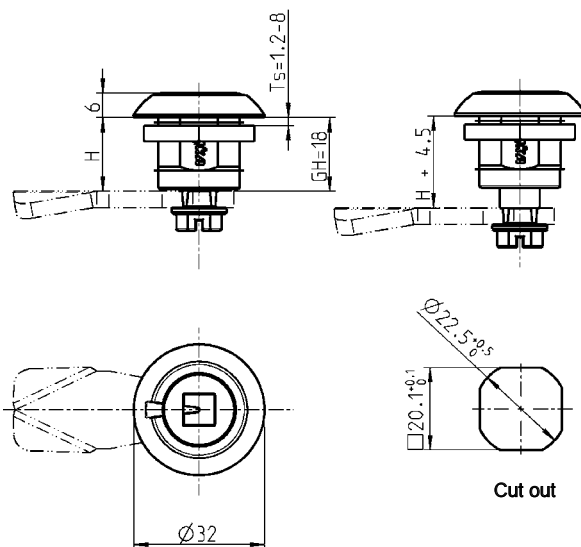
The compression latch is designed to be vibration-proof as such. Depending on the installation location and operational conditions, specific checks are necessary and/or supplementary measures of fastening required.



for stainless steel version

#### Product benefits

- Compact design
- Compatible with other quarter turns with GH = 18 mm
- Fire protection according to DIN EN 45545-2 with E20
- Short housing GH = 18 mm
- Foamed seal
- Standard cut out



Cut out



#### Open condition

Turning the insert 90° causes the cam to rotate.



#### Closed condition

The second 90° of rotation of the insert draws the cam toward the door 4.5 mm axially.



#### Compressed condition

Open:  
Reversed motion

#### Further parts see page

- Cam without catch from 1C-120
- (not for cam with rod control)
- Accessories from 1C-320
- Escutcheon 3B-140
- Key 8B-120

Housing and insert material of choice; nut and screw m.s. zinc-plated or stainless steel; with spring and seal

Further insert variants on request	Zinc die black powder-coated	Zinc die chrome-plated	AISI 316
Square 7	on request	1000-U859-IA	1000-U859-PH
Square 8	1000-U852	1000-U852-IA	1000-U852-PH
Triangular 7	on request	1000-U864-IA	1000-U864-PH
Triangular 8	1000-U853	on request	1000-U853-PH
Double bit 3	1000-U854	on request	1000-U854-PH
Double bit 5	1000-U855	on request	1000-U855-PH
Slot 2 x 4	on request	on request	1000-U985-PH
Railway	1000-U856	on request	1000-U856-PH

# Compression latch PROGRAM 1000



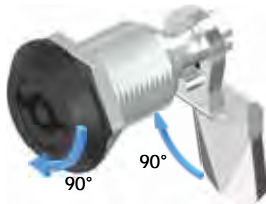
### Tamper and vibration-proof

The compression latch is designed to be vibration-proof as such. Depending on the installation location and operational conditions, specific checks are necessary and/or supplementary measures of fastening required.



for stainless steel version

Info  
1 Quarter turns  
2 Rod controls  
3 Locking systems  
4 Hinges  
5 Seals  
6 Handles  
7 Aluminium windows  
8 Miscellaneous  
9 Special catalogues  
Index



### Open condition

Turning the insert 90° causes the cam to rotate.



### Closed condition

Further rotation of the insert by 90° moves the cam 6 mm in axial direction.

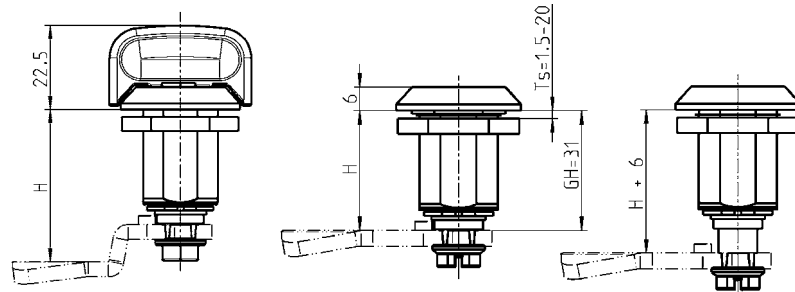


### Compressed condition

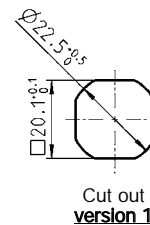
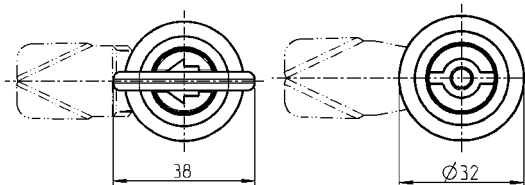
**Open:**  
Reversed motion

### Further parts see page

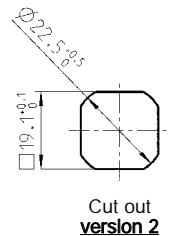
- Cam with or without catch from 1C-120 (not for cam with rod control)
- Accessories from 1C-320
- Escutcheon 3B-140
- Key 8B-120



Housing with marking on request



Cut out version 1



Cut out version 2

### Cut out version 1

Housing and insert zinc die black powder-coated or AISI 316; nut and screw m.s. zinc-plated or stainless steel; with spring and seal

Further insert variants on request	Zinc die black powder-coated	AISI 316
Square 7 with arrow	1000-U796	on request
Square 8	1000-U755	on request
Square 8 with arrow	1000-U798	on request
Square 8 with marking	on request	1000-U755-01
Triangular 7	1000-U795	on request
Triangular 8	1000-U783	on request
Double bit 3	1000-U749	1000-U749-01
Double bit 5	1000-U748	1000-U748-01
Hexagon female SW 8	1000-U807	on request
Hexagon female SW 8 with pin	1000-U805	on request
Hexagon female SW 10	1000-U809	on request
Square female 8	1000-U811	on request
Slot 2 x 4	1000-U777	1000-U777-01
Insert railway	1000-U831	1000-U831-01
Wing knob insert	1000-U882	on request

### Cut out version 2

Housing and insert zinc die black powder-coated or AISI 316; nut and screw m.s. zinc-plated or stainless steel; with spring and seal

Further insert variants on request	Zinc die black powder-coated	AISI 316
Square 8	1000-U981	on request
Square 8 with marking	on request	1000-U981-01
Double bit 3	1000-U982	on request
Double bit 5	1000-U983	on request

# Compression latch with adjustable cam height

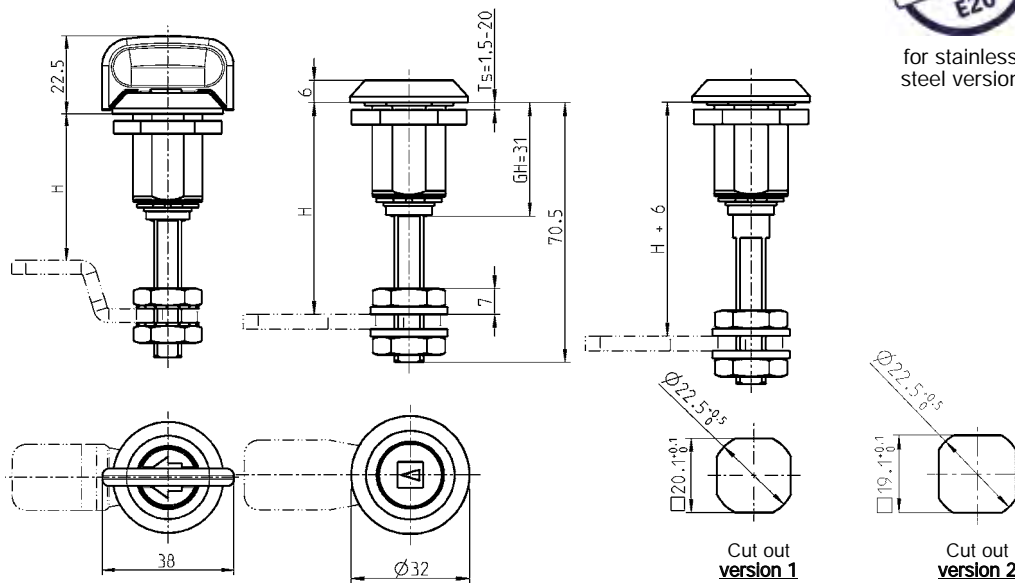
## PROGRAM 1000

### Tamper and vibration-proof

The compression latch is designed to be vibration-proof as such. Depending on the installation location and operational conditions, specific checks are necessary and/or supplementary measures of fastening required.



for stainless steel version



#### Cut out version 1

Compression latch with adjustable cam height  
Housing and insert zinc die black powder-coated or AISI 316;  
locking shaft zinc die or m.s. zinc-plated or AISI 316;  
nuts and washers m.s. zinc-plated or AISI 316; with spring and seal

Further insert variants on request

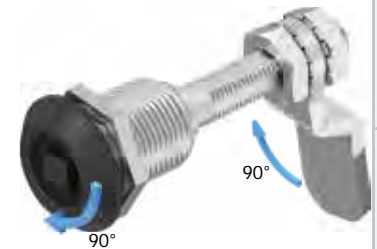
Further insert variants on request	Housing and insert zinc die black powder-coated		Housing and insert AISI 316
	Locking shaft zinc die	Shaft m.s. zinc-plated	Shaft AISI 316
Square 7 with arrow	1000-U786	1000-SU720	on request
Square 8 with arrow	1000-U799	1000-SU861	1000-U755-02
Triangular 7	1000-U794	1000-SU724	on request
Triangular 8	1000-U802	1000-SU725	on request
Double bit 3	1000-U803	1000-SU730	on request
Double bit 5	1000-U804	1000-SU752	on request
Hexagon male SW 11.1 with marking	1000-U816	1000-SU324	on request
Hexagon female SW 8	1000-U808	1000-SU735	on request
Hexagon female SW 8 with pin	1000-U806	1000-SU733	on request
Hexagon female SW 10	1000-U810	on request	on request
Square female 8	1000-U812	on request	on request
Slot 2 x 4	1000-U813	on request	on request
Insert railway	1000-U832	on request	1000-U831-02
Tube with marking	1000-U830	1000-SU736	on request
Wing knob insert	1000-U880	on request	on request

#### Cut out version 2

Housing and insert zinc die black powder-coated or AISI 316;  
locking shaft zinc die or m.s. zinc-plated or AISI 316;  
nuts and washers m.s. zinc-plated or AISI 316; with spring and seal

Further insert variants on request

Further insert variants on request	Housing and insert zinc die black powder-coated		Housing and insert AISI 316
	Locking shaft zinc die	Shaft m.s. zinc-plated	Shaft AISI 316
Square 8 with arrow	on request	1000-SU1167	on request



#### Open condition

Turning the insert 90° causes the cam to rotate.



#### Closed condition

Further rotation of the insert by 90° moves the cam 6 mm in axial direction.



#### Compressed condition

Open:  
Reversed motion

#### Note:

Only cams without catch can be used.

#### Further parts see page

- Cam (GH = 31) 1C-137
- Accessories from 1C-320
- Escutcheon 3B-140
- Key 8B-120



# Stainless steel and hybrid (aluminium and stainless steel) compression latch with marking

## PROGRAM 1000

### Tamper and vibration-proof

The compression latch is designed to be vibration-proof as such. Depending on the installation location and operational conditions, specific checks are necessary and/or supplementary measures of fastening required.

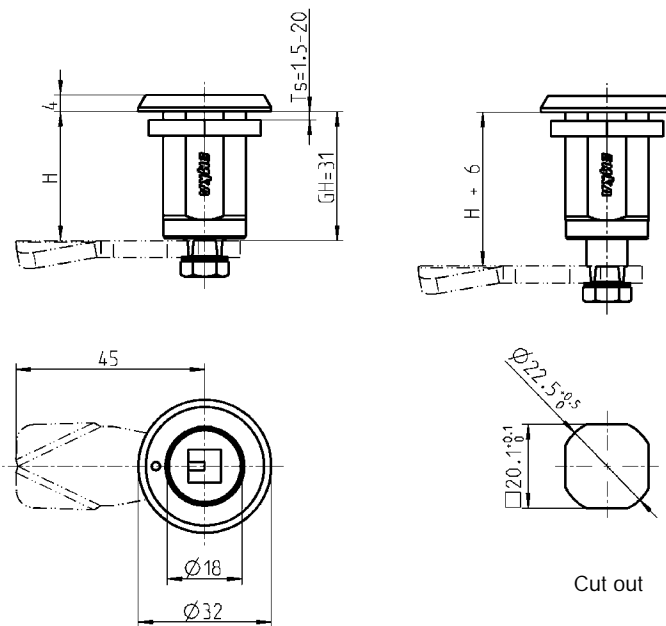


Stainless steel



Stainless steel and aluminium

Additional IP protection during cleaning work inside possible with flat seal 1000-570 (self-adhesive). This seal is included with -SU part no.



**Open condition**  
Turning the insert 90° causes the cam to rotate.



**Closed condition**  
Further rotation of the insert by 90° moves the cam 6 mm in axial direction.



**Compressed condition**

**Open:**  
Reversed motion

**Further parts see page**  
 – Cam without catch 1C-120 (not for cam with rod control)  
 – Accessories from 1C-320  
 – Key 8B-120

### Stainless steel compression latch with marking

Housing and insert AISI 316; nut and screw stainless steel; with spring and seal

Further insert variants on request	Left-hand version	Right-hand version
Square 7	1000-SU925-LIPH	1000-SU925-REPH
Square 8	1000-U865-LIPH	1000-U865-REPH
Triangular 7	1000-SU925-02LIPH	on request
Triangular 8	1000-U911-LIPH	1000-SU925-01REPH
Hexagon male SW 10	1000-U869-LIPH	1000-U869-REPH
Insert railway	1000-U870-LIPH	1000-U870-REPH
Insert railway with outer rack	1000-SU925-03LIPH	1000-SU925-03REPH

### Hybrid (aluminium and stainless steel) compression latch with marking

Housing aluminium anodized; insert AISI 316; nut and screw stainless steel; with spring and seal

Square 7	1000-U968-LI	1000-U968-RE
Square 8	1000-U968-04LI	1000-U968-04RE
Triangular 6.5	1000-SU1186-02LI	on request
Triangular 7	1000-U968-02LI	on request
Triangular 8	1000-U968-01LI	1000-U968-01RE
Hexagon male SW 10	1000-U968-05LI	1000-U968-05RE
Insert railway	1000-U968-06LI	1000-U968-06RE
Insert railway with outer rack	1000-U968-03LI	1000-U968-03RE

# Compression latch with handle and fixed or adjustable cam height

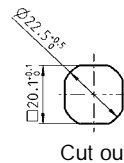
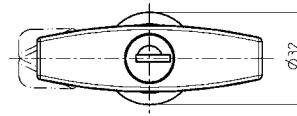
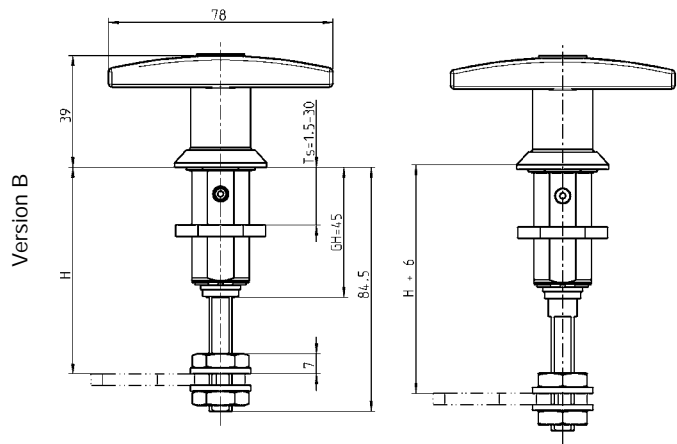
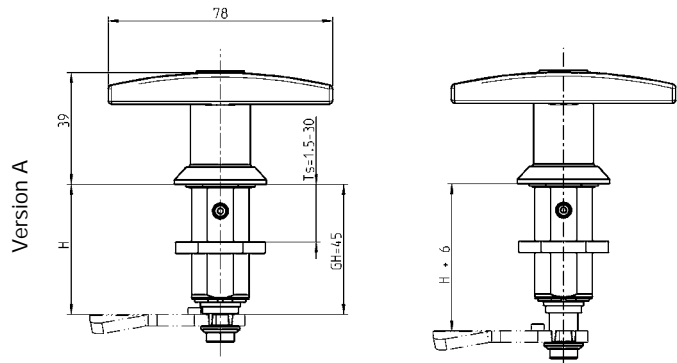
## PROGRAM 1000

**Example:**  
Compression latch with T-handle

### Compression latch with T-handle



**Open condition**  
Turning the handle by 90° causes the cam to rotate.



Cut out



**Closed condition**  
Further rotation of the handle by 90° moves the cam 6 mm in axial direction.

**Note:**  
For version B only cams without catch can be used!

#### Tamper and vibration-proof

The compression latch is designed to be vibration-proof as such. Depending on the installation location and operational conditions, specific checks are necessary and/or supplementary measures of fastening required.

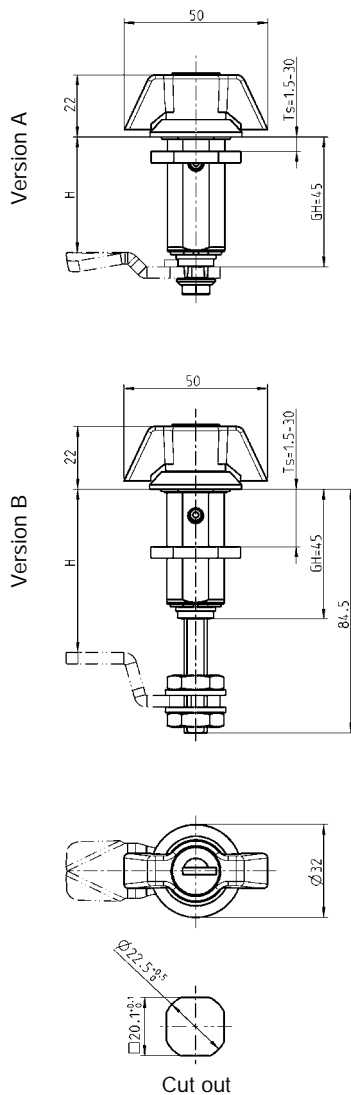
**Compressed condition**  
Key removable

**Open:**  
Reversed motion

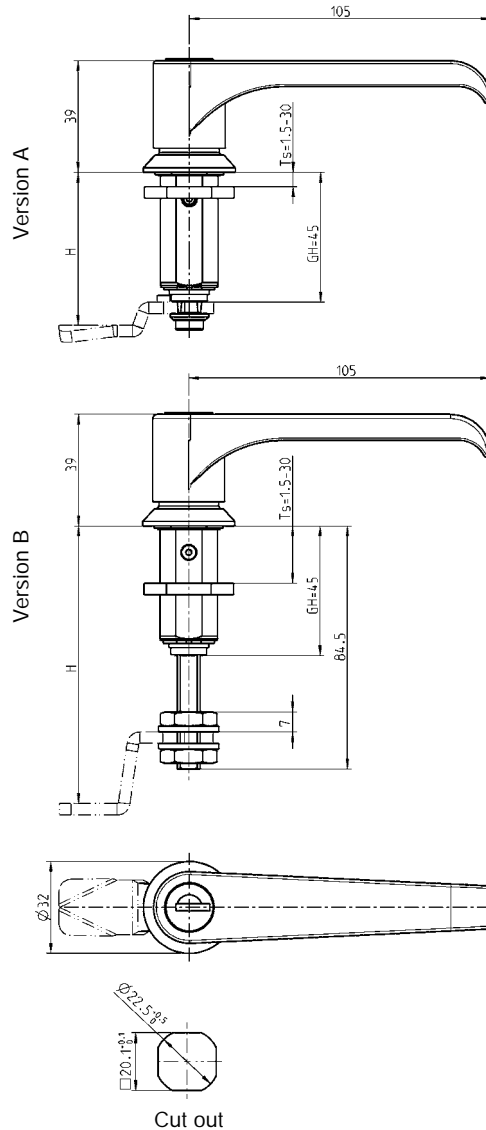




### Compression latch with wing knob



### Compression latch with L-handle



Stainless steel version on request.



Handle and housing zinc die black powder-coated; round cylinder zinc die with stainless steel cap and dust protection; nut and screw or washer m.s. zinc-plated; with spring and seal. Each round cylinder has one silver steel key with grip polyamide black. Key removable in both positions.

Version A: Fixed cam height	non locking	keyed EK 333	keyed different
Wing knob	1000-U826	1000-U827	1000-U828
T-handle	1000-U820	1000-U821	1000-U822
L-handle	1000-U823	1000-U824	1000-U825
Version B: Adjustable cam height			
Wing knob	1000-U790	1000-U789	1000-U791
T-handle	1000-U785	1000-U784	1000-U792
L-handle	1000-U788	1000-U787	1000-U793

Further parts see page

**for fixed cam height**  
 – Cam with or without catch from 1C-120 (not for cam with rod control)

**for adjustable cam height**  
 – Cam (GH = 45) 1C-137

**for both versions**  
 – Dust cap for T-handle 1C-340  
 – Spare key 8B-140

Info

1 Quarter turns



2 Rod controls



3 Locking systems



**Open condition**  
Turning the insert 90° causes the cam to rotate.

4 Hinges



**Closed condition**  
Further rotation of the insert by 90° moves the cam 6 mm in axial direction.

6 Handles



**Compressed condition**

**Open:**  
Reversed motion

7 Aluminium windows

8 Miscellaneous

9 Special catalogues

- Further parts see page**
- Cam with or without catch from 1C-120 (not for cam with rod control)
  - Accessories from 1C-320
  - Escutcheon 3B-140
  - Key 8B-120

#### Tamper and vibration-proof

The compression latch is designed to be vibration-proof as such. Depending on the installation location and operational conditions, specific checks are necessary and/or supplementary measures of fastening required.

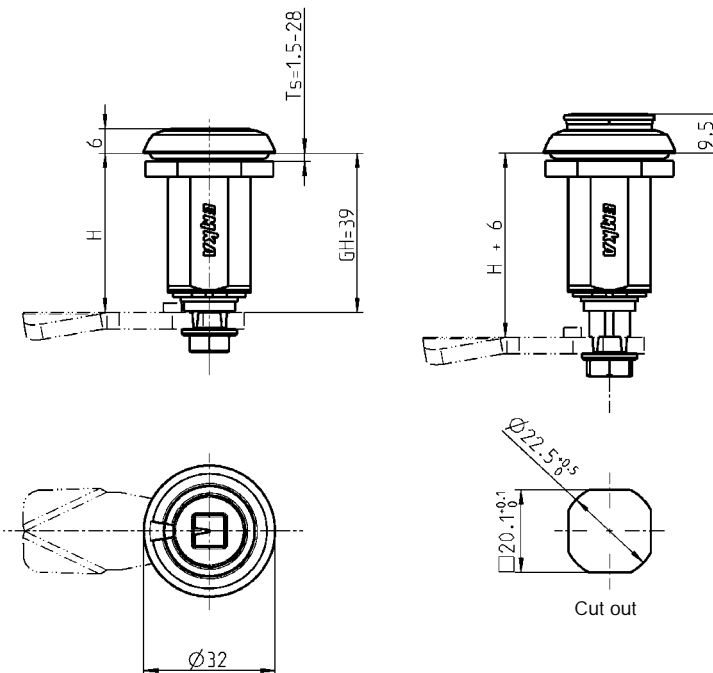
When the compression latch is used in combination with the dust cap (page 1C--330), another security aspect is added:

Additionally, when the lock is open and the red ring visible, the dust cap cannot be locked and remains open.

Compressed condition



Open condition



Housing and insert zinc die black powder-coated; signal ring red; nut and screw m.s. zinc-plated, with spring and seal

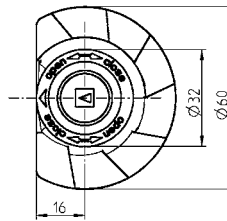
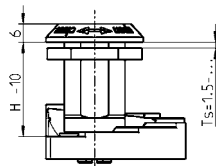
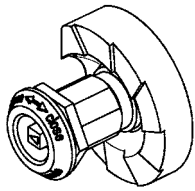
Square 8	1000-U846
Railway	1000-U848

Index

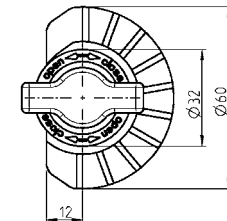
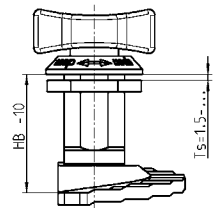
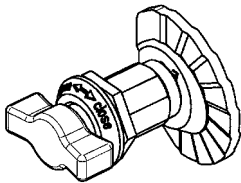
# Quarter turn with stepped cam

## PROGRAM 1000

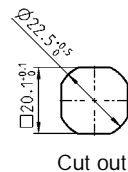
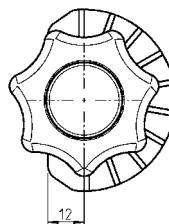
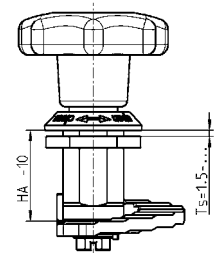
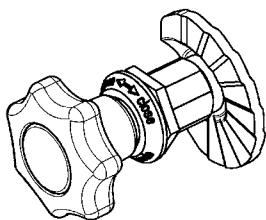
### Version A



### Version B



### Version B



Housing with 270° stopper

### Stepped cam

Version A	m.s. zinc-plated, without stopper	1000-127
	m.s. zinc-plated, with stopper	1000-244
Version B	zinc die raw, with stopper	1000-387

Housing zinc die surface of choice; nut m.s. zinc-plated; adapter and spacer zinc die; screw m.s. zinc-plated

Ts	H	HA	HB	Housing zinc die		with adapter zinc die (Insert flush at front)	Spacer zinc die 5 mm higher H-dimension and screw m.s. zinc-plated
				chrome-plated	black powder-coated		
8	19	19	27	1000-U157	1000-U231	not required	1000-U539
20	31	31	39	1000-U158	1000-U232	1000-U164	1000-U540
26	37	37	45	1000-U247	1000-U250	1000-U198	1000-U541
30	41	41	49	1000-U159	1000-U233	1000-U165	1000-U542
40	51	51	59	1000-U160	1000-U234	1000-U166	1000-U543

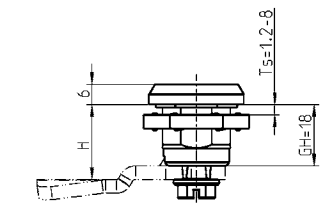
**Advice:**  
Quarter turn assembly 1B-105

**Further parts see page**  
 – Insert 1B-140  
 – IP 65 or IP 66 1B-140  
 – Accessories from 1C-320  
 – Escutcheon 3B-140  
 – Key 8B-120

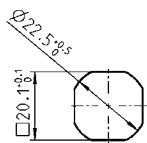
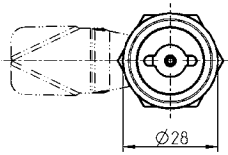


# Safety quarter turn

## PROGRAM 1000

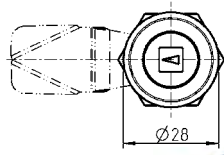
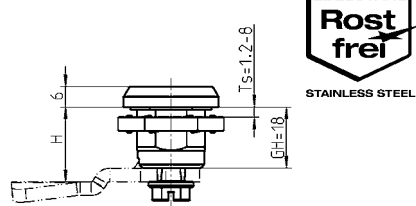


Right-hand version



Cut out

The safety quarter turn is of a vibration-proof design. Depending on the installation location and operational conditions, specific checks are necessary and/or supplementary measures of fastening required.



for stainless steel version



Push cam back using insert.



Cam snaps into place.

Double bit key not removable



Housing brass; Insert zinc die, screw and earthnut m.s. zinc-plated; with seal	black powder-coated		chrome-plated	
	without Dust cap	with Dust cap	without Dust cap	with Dust cap
Double bit 3, RH version	1000-U252-01	1000-U687	1000-U202-01	1000-U691
Double bit 3, LH version	1000-U254-01	1000-U688	1000-U204-01	1000-U692
Double bit 5, RH version	1000-U256-01	1000-U689	1000-U206-01	1000-U693
Double bit 5, LH version	1000-U258-01	1000-U690	1000-U208-01	1000-U694
Square 6, RH / LH version	1000-U260-01	-	1000-U210-01	-
Square 7, RH / LH version	1000-U262-01	-	1000-U212-01	-
Square 8, RH / LH version	1000-U264-01	-	1000-U214-01	-
Triangular 7, RH / LH version	1000-U266-01	-	1000-U216-01	-
Triangular 8, RH / LH version	1000-U268-01	-	1000-U218-01	-
Slot 2 x 4, RH / LH version	1000-U652-01	-	1000-U655-01	-
Eastern Europe Ø 13 half-round, 90° and 180° stopper, RH / LH version	1000-U713-01	-	-	-
Railway AISI 303, RH / LH version	1000-U732-01	-	1000-U733-01	-
Housing with insert, screw and nut AISI 303; with seal	without Dust cap		with Dust cap	
Double bit 3, RH version	1000-U714-01	1000-U725		
Double bit 3, LH version	1000-U715-01	1000-U726		
Double bit 5, RH version	1000-U716-01	1000-U727		
Double bit 5, LH version	1000-U717-01	1000-U728		
Square 6, RH / LH version	1000-U718-01	-		
Square 7, RH / LH version	1000-U719-01	-		
Square 8, RH / LH version	1000-U720-01	-		
Triangular 7, RH / LH version	1000-U721-01	-		
Triangular 8, RH / LH version	1000-U722-01	-		
Slot 2 x 4, RH / LH version	1000-U723-01	-		
Eastern Europe Ø 13 half-round, 90° and 180° stopper, RH / LH version	1000-U724-01	-		
Railway, RH / LH version	1000-U710-01	-		
Ø 8.6 with slot, RH / LH version	1000-U712-01	-		

### Safety quarter turn

Tamper and vibration-proof. For double-bit version: Key can only be removed in locking position.

Hole for the double bit according to DIN 43668. Waterproof and dustproof, according to IP 65 DIN 40050.

Only available with pre-assembled cam.

### Further parts see page

- Cam with catch 1C-120
- Accessories 1C-320
- (not for slam-lock) 1C-360
- 1C-380
- Escutcheon 3B-140
- Key 8B-120

Info

1 Quarter turns

2 Rod controls

3 Locking systems

4 Hinges

5 Seals

6 Handles

7 Aluminium windows

8 Miscellaneous

9 Special catalogues

Index



①

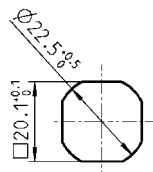
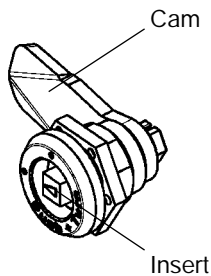


②

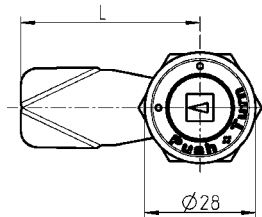
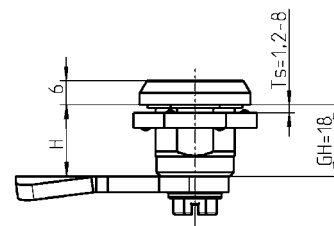
Press down the insert and turn!



for stainless steel version



Cut out



**Safety quarter turn:**  
The safety quarter turn is of a vibration-proof design. Depending on the installation location and operational conditions, specific checks are necessary and/or supplementary measures of fastening required.

**Note:**  
Only cams without catch can be used.

**Note:**  
The H-dimension will be reduced by 2 mm when used with the finger pull (see page 1C-320)

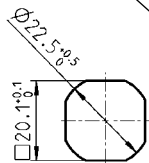
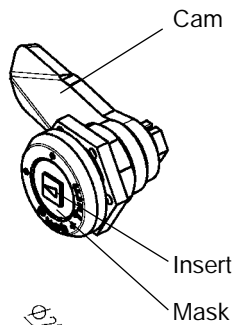
**Further parts see page**  
– Cam without catch 1C-120  
– Accessories 1C-320  
to 1C-380  
– Key 8B-120

Housing and insert material of choice, earthing nut and screw m.s. zinc-plated or nut and screw stainless steel; with spring and seal

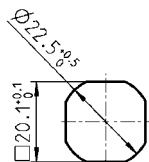
Further insert variants on request	① Zinc die chrome-plated housing labeling is immersed	② AISI 316 housing labeling is pad printed
Square 6	on request	1000-U817-01PH
Square 7	1000-U817-02IA	on request
Square 8	1000-U817-03IA	1000-U817-03PH
Triangular 7	1000-U817-04IA	on request
Triangular 8	1000-U817-05IA	1000-U817-05PH
Triangular 10	on request	1000-U817-07PH
Double bit 3	1000-U817-08IA	on request
Hexagon female SW 8	on request	1000-U817-24PH
Slot 1.2 x 3	1000-U817-16IA	on request
Slot 2 x 4	1000-U817-17IA	on request
Insert railway	1000-U817-23IA	1000-U817-23PH

# Safety quarter turn with mask

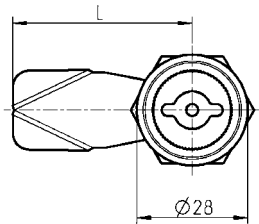
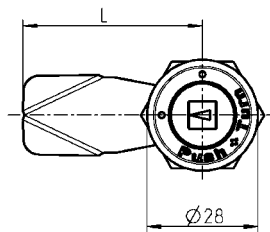
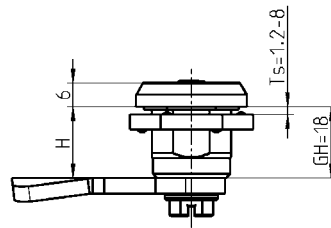
## PROGRAM 1000



Cut out



Cut out



for stainless steel version



Insert square or triangular



Insert double bit

Press down the insert and turn!

Housing and insert material of choice; mask zinc die raw; earthing nut and screw m.s. zinc-plated or nut and screw stainless steel; with spring and seal

Further insert variants on request

Zinc die chrome-plated

AISI 316

Square 7

1000-U818-02IA

on request

Square 8

1000-U818-03IA

on request

Triangular 7

1000-U818-04IA

on request

Triangular 8

1000-U818-05IA

on request

Housing and insert material of choice; mask stainless steel;

earthing nut and screw m.s. zinc-plated or nut and screw stainless steel; with spring and seal

Zinc die chrome-plated

AISI 316

Double bit 3, RH version

1000-U819-01IA

on request

Double bit 3, LH version

1000-U819-03IA

on request

Double bit 5, RH version

1000-U819-02IA

on request

Double bit 5, LH version

1000-U819-04IA

on request

**Safety quarter turn:**  
The safety quarter turn is of a vibration-proof design. Depending on the installation location and operational conditions, specific checks are necessary and/or supplementary measures of fastening required.

For double-bit version: Key can only be removed in locking position.

Hole for the double bit according to DIN 43668.

**Note:**

The H-dimension will be reduced by 2 mm when used with the finger pull (see page 1C-320)

**Further parts see page**

– Cam without catch 1C-120  
– Accessories 1C-320  
to 1C-380  
– Key 8B-120

Info

1 Quarter turns



2 Rod controls



3 Locking systems

4 Hinges



Press down the mask  
and turn the insert!

5 Seals

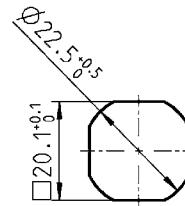
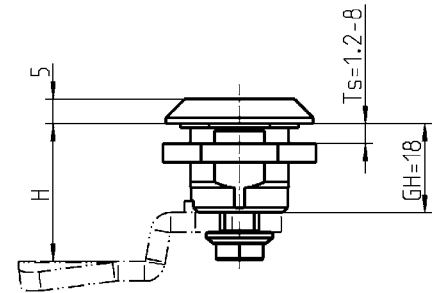
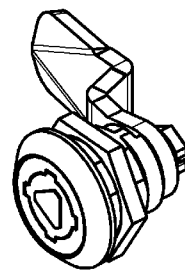
6 Handles

7 Aluminium windows

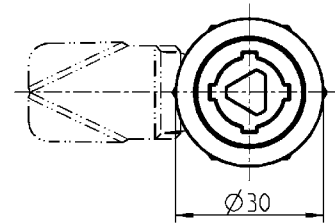
8 Miscellaneous

9 Special catalogues

Index



Cut out



**Safety quarter turn:**  
The safety quarter turn is of a vibration-proof design. Depending on the installation location and operational conditions, specific checks are necessary and/or supplementary measures of fastening required.

The H-dimension will be reduced by 2 mm when used with the finger pull (see page 1C-320)

**Further parts see page**

- Cam with catch           1C-120
- 1C-160
- Accessories                1C-320
- to 1C-380
- Key                            8B-120

Quarter turn zinc die black powder-coated; screw and earthing nut m.s. zinc-plated; with seal. Key removable in both positions.

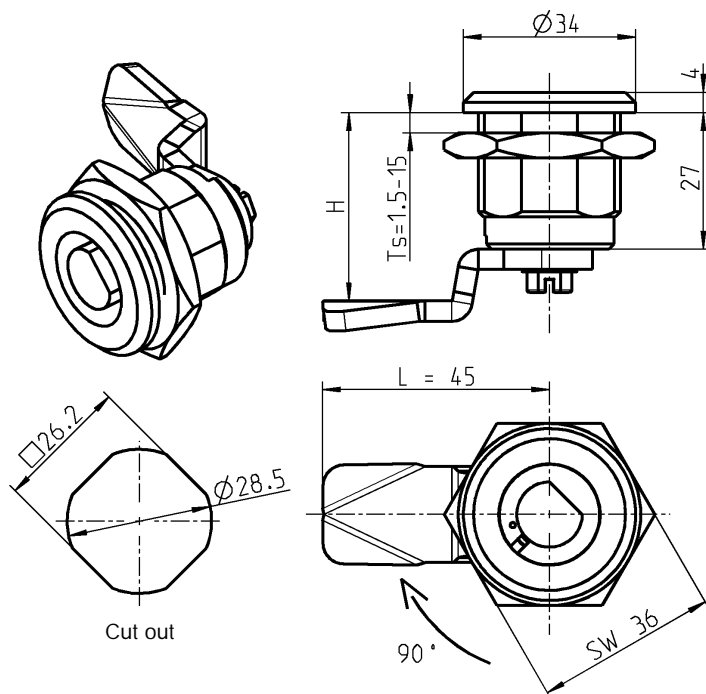
Triangular 8, RH / LH version

1000-U835

**1B-335**



# Safety quarter turn Eastern Europe half-round PROGRAM 1000



**Attention:**

Cut out deviating from standard

The spring-loaded insert in the direction of the arrow (type: Eastern European Ø13 half-round) can only be turned with a special key. Key only removable in the locked position.



**Housing zinc die or polyamide; insert zinc die zinc-plated; nut and fixing material m.s. zinc-plated**

Zinc die black powder-coated	1000-U746-01
Polyamide black	1000-U747

**Key zinc die raw**

	1004-45
--	---------

**Cam m.s. zinc-plated**

Dim. H	Part-No.	Dim. H	Part-No.
13	1000-112	29	1000-16
15	1000-22	31	1000-15
17	1000-113	33	1000-14
19	1000-21	34	1000-27
22	1000-20	35	1000-50
23	1000-19	37	1000-13
25	1000-18	39	1000-28
27	1000-17		

Further cams on request

**Application:**  
Electric power companies  
in Eastern Europe

Info

1 Quarter turns



2 Rod controls



3 Locking systems



4 Hinges



5 Seals



6 Handles



7 Aluminium windows

8 Miscellaneous

Combination of quarter turn and round cylinder for 1- and 3-point latch system.

**Note:**  
IP 65 and IP 66 only available pre-assembled!

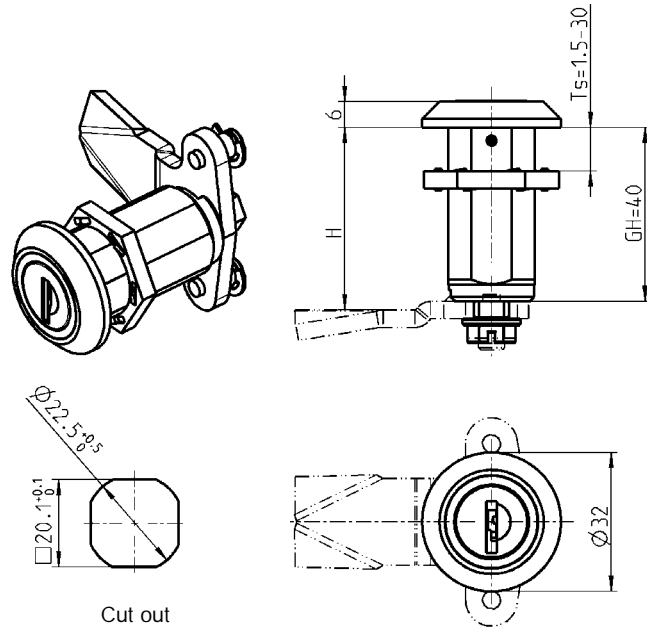
**Further parts see page**

- Cam with catch to 1C-120
- Accessories from 1C-180
- Escutcheon 3B-140
- Spare key 8B-140

Index

**1B-360** 01/14

(1B-271)



#### Safety quarter turn:

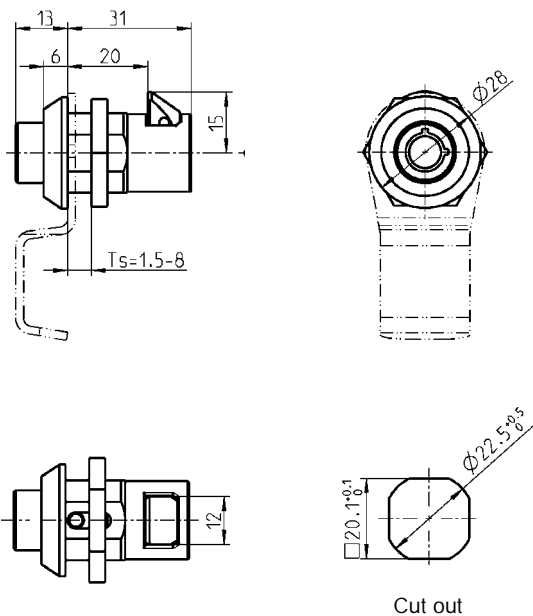
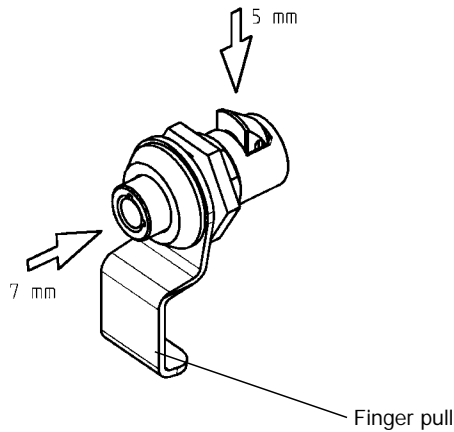
Removable roller, concealed square insert enables higher torque with the square key.

Safety quarter turn housing zinc die black powder-coated; cylinder with stainless steel cap and dust protection; insert square female 6 mm zinc die chrome-plated, earthing nut and fixing material m.s. zinc-plated. Each round cylinder has one silver steel key with grip polyamide GF black.

keyed EK 333	1048-U22
keyed different	1048-U23
Key square male 6 mm	1004-29-01
<b>IP 65 achieved by:</b>	
Flat seal	1000-23
O-ring	1000-24
<b>IP 66 achieved by:</b>	
Seal set	1000-U769

# Radial pin-push cylinder

## PROGRAM 1000



### Radial pin-push cylinder:

By turning the key 90° the push button is unlocked and can be operated.  
The key is removable in both positions.



1 Quarter turns

2 Rod controls

3 Locking systems

4 Hinges

5 Seals

6 Handles

7 Aluminium windows

8 Miscellaneous

9 Special catalogues

Index



### Application:

Computer housing  
Deutsche Bahn

### Attention:

When using a finger pull, the dimension changes from 20 to 18 mm or  $TS_{max}$  becomes 6 mm.

Radial pin-push cylinder housing zinc die; push cylinder brass / zinc die nickel-plated; locking bolt zinc die zinc-plated; nut m.s. zinc-plated

	chrome-plated	black powder-coated
keyed 20001	1000-U742	1000-U751
keyed different	1000-U743	1000-U752

### Further parts see page

– Finger pull 1C-320  
– Escutcheon 3B-140

Info

1 Quarter turns



2 Rod controls



3 Locking systems



4 Hinges

5 Seals



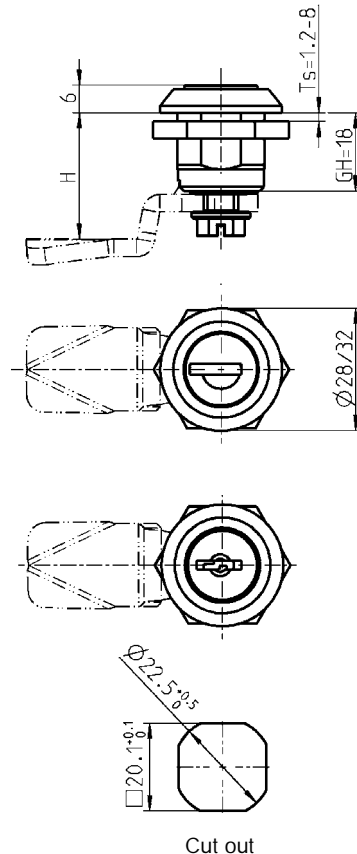
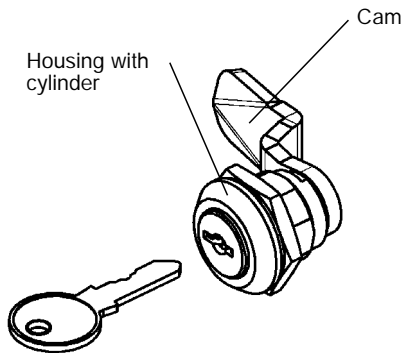
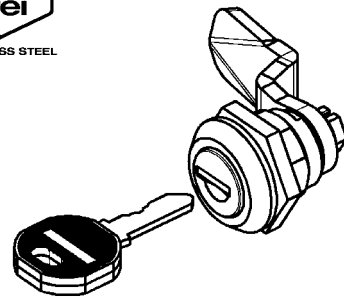
6 Handles

7 Aluminium windows

8 Miscellaneous

9 Special catalogues

Index



Cylinder quarter turn housing zinc die surface of choice;  
round cylinder zinc die with stainless steel cap and dust protection;  
nut, earthing nut and screw m.s. zinc-plated.

Each round cylinder has one silver steel key with grip polyamide GF black.

Housing zinc die	chrome-plated		black powder-coated	
	Nut	Earthing nut	Nut	Earthing nut
<b>D = 28 mm</b>				
keyed EK 333	1048-U6	1048-U8	1048-U14	1048-U16
keyed different	1048-U7	1048-U9	1048-U15	1048-U17
<b>D = 32 mm</b>				
keyed EK 333	1048-U1	1048-U3	1048-U10	1048-U12
keyed different	1048-U2	1048-U4	1048-U11	1048-U13

Cylinder quarter turn AISI 316; round cylinder, nut, screw and serrated washer stainless steel.  
Each round cylinder has one silver steel key with grip polyamide GF black.

	Nut stainless steel	Earthing nut
keyed EK 333, D = 28 mm	1048-U6-PH	-
keyed different, D = 28 mm	1048-U7-PH	-

Cylinder quarter turn housing with round cylinder polyamide GF black;  
screw m.s. zinc-plated; nut m.s. zinc-plated or polyamide black.  
Each round cylinder has one key of m.s. nickel-plated.

	Nut m.s. zinc-plated	Earthing nut	Nut polyamide black	Earthing nut
<b>D = 28 mm</b>				
keyed EK 333	1048-U18	-	1048-U27	-
keyed different	1048-U19	-	1048-U28	-
<b>D = 32 mm</b>				
keyed EK 333	1048-U20	-	1048-U25	-
keyed different	1048-U21	-	1048-U26	-

Key removable in both positions

Further parts see page

- Cam with catch from 1C-120
- (not for cam with rod control) 1C-160
- Slam cam 1C-180
- Accessories 1C-320
- 1C-360
- 1C-380
- Escutcheon 3B-140
- Spare key 8B-140

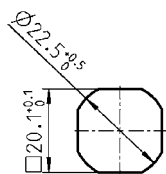
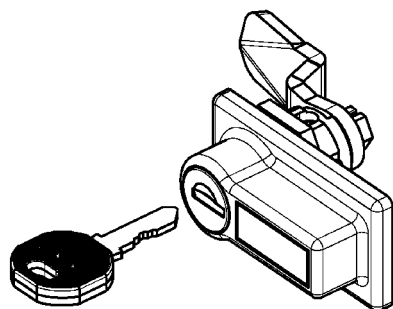
1B-420 10/11

(1B-270)

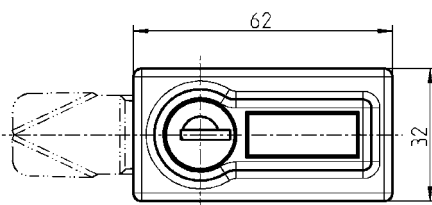
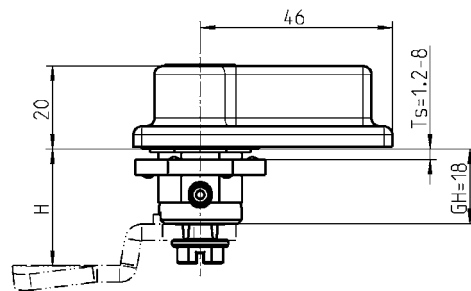
# Panel handle quarter turn, T-handle quarter turn, small

## PROGRAM 1000

### Panel handle quarter turn



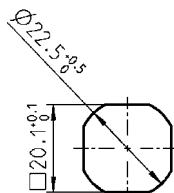
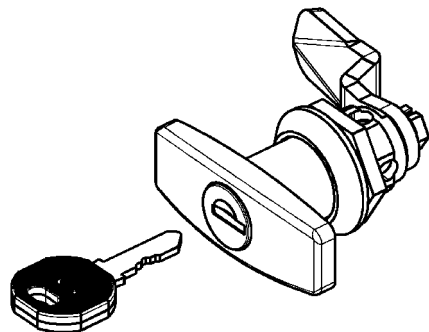
Cut out



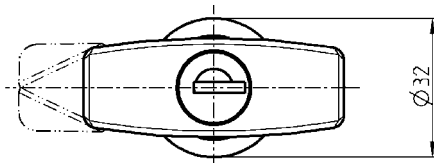
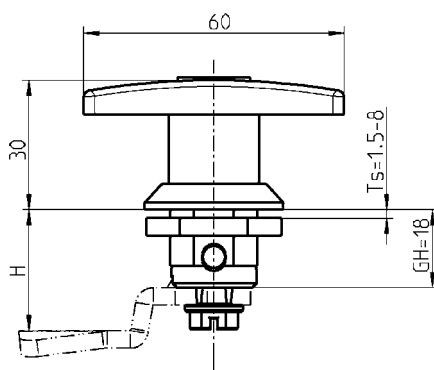
Handle polyamide GF black; housing zinc die black powder-coated; round cylinder zinc die with stainless steel cap and dust protection; nut, earthing nut and fixing material m.s. zinc-plated; with spring and seal. Each round cylinder has one silver steel key with grip polyamide black. Key removable in both positions.

	Nut	Earthing nut
keyed EK 333	-	1000-U844
keyed different	-	1000-U845

### T-handle quarter turn, small



Cut out



T-handle polyamide GF black; housing zinc die black powder-coated; round cylinder zinc die with stainless steel cap and dust protection; nut, earthing nut and fixing material m.s. zinc-plated; with spring and seal. Each round cylinder has one silver steel key with grip polyamide black. Key removable in both positions.

	Nut	Earthing nut
non locking	1000-U775	1000-U775-01
keyed EK 333	1000-U773	1000-U773-01
keyed different	1000-U774	1000-U774-01

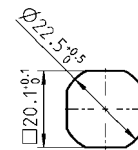
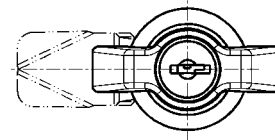
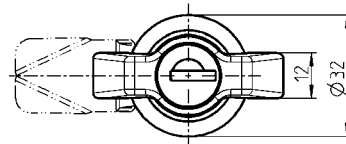
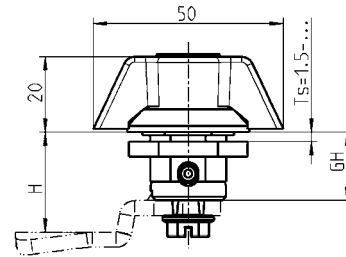
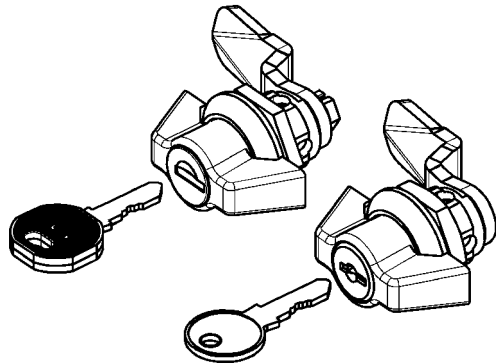


### Further parts see page

- Cam with catch 1C-120 to 1C-180
- Accessories from 1C-340
- Escutcheon 3B-140
- Spare key 8B-140

# Wing knob quarter turn

## PROGRAM 1000



Cut out

### Cylinder zinc die

Each round cylinder has one silver steel key with grip polyamide GF black.  
Screw and nut m.s. zinc-plated.  
Key removable in both positions.

### Cylinder polyamide

Each round cylinder has one m.s. nickel-plated key.  
Screw and nut m.s. zinc-plated.  
Key removable in both positions.

### Wing knob

IP 65

Wing knob, housing zinc die chrome-plated; with seal;  
nut, earthing nut and screw m.s. zinc-plated.

Round cylinder zinc die with stainless steel cap and dust protection.  
Each round cylinder has one silver steel key with grip polyamide GF black.

GH	Ts 1.5 - 8 mm	non locking	keyed EK 333	keyed different
18 mm				
	with nut	1000-U149	1000-U150	1000-U151
	with earthing nut	1000-U152	1000-U153	1000-U154
30 mm	20 mm			
	with nut	1000-U269	1000-U271	1000-U273
	with earthing nut	1000-U270	1000-U272	1000-U274
40 mm	30 mm			
	with nut	1000-U275	1000-U277	1000-U279
	with earthing nut	1000-U276	1000-U278	1000-U280
50 mm	40 mm			
	with nut	1000-U281	1000-U283	1000-U285
	with earthing nut	1000-U282	1000-U284	1000-U286
60 mm	50 mm			
	with nut	1000-U633	1000-U635	1000-U637
	with earthing nut	1000-U634	1000-U636	1000-U638

**Wing knob**  
**IP 65**  
 Wing knob, housing zinc die black powder-coated; nut, earthing nut and screw m.s. zinc-plated; with seal.  
 Round cylinder zinc die with stainless steel cap and dust protection.  
 Each round cylinder has one silver steel key with grip polyamide GF black.

GH 18 mm	Ts 1.5 - 8 mm	non locking	keyed EK 333	keyed different
with nut		1000-U241	1000-U237	1000-U239
with earthing nut		1000-U242	1000-U238	1000-U240
30 mm	20 mm			
with nut		1000-U403	1000-U405	1000-U407
with earthing nut		1000-U404	1000-U406	1000-U408
40 mm	30 mm			
with nut		1000-U409	1000-U411	1000-U413
with earthing nut		1000-U410	1000-U412	1000-U414
50 mm	40 mm			
with nut		1000-U415	1000-U417	1000-U419
with earthing nut		1000-U416	1000-U418	1000-U420
60 mm	50 mm			
with nut		1000-U639	1000-U641	1000-U643
with earthing nut		1000-U640	1000-U642	1000-U644

**Wing knob**  
**IP 65**  
 Wing knob, housing, nut and screw AISI 316; with seal.  
 Round cylinder stainless steel with stainless steel cap and dust protection.  
 Each round cylinder has one silver steel key with grip polyamide GF black.

GH 18 mm	Ts 1.5 - 8 mm	non locking	keyed EK 333	keyed different
with nut		1000-U665	1000-U150-PH	1000-U151-PH

**Wing knob**  
**IP 65**  
 Wing knob polyamide black; housing zinc die black powder-coated; nut, earthing nut and screw m.s. zinc-plated; with seal  
 Round cylinder zinc die with stainless steel cap and dust cap.  
 Each round cylinder has one silver steel key with grip polyamide GF black.

Wing knob, housing, round cylinder and nut polyamide black (IP 40)  
 Each round cylinder has one m.s. nickel-plated key.

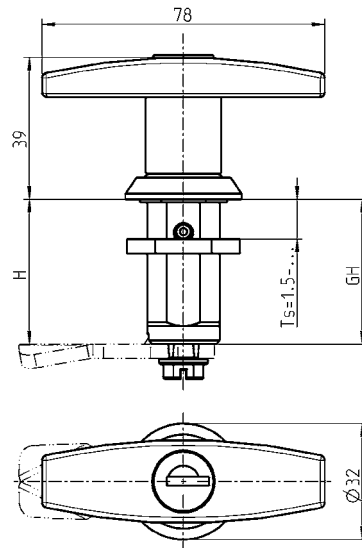
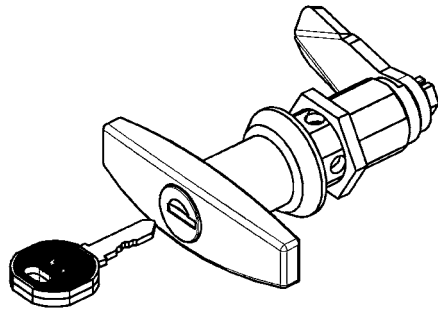
GH 18 mm	Ts 1.5 - 8 mm	non locking	keyed EK 333	keyed different	keyed EK 333	keyed different
with nut		1000-U343	1000-U345	1000-U347	1000-U754	1000-U753
with earthing nut		1000-U344	1000-U346	1000-U348	-	-
30 mm	20 mm					
with nut		1000-U512	1000-U514	1000-U516	-	-
with earthing nut		1000-U513	1000-U515	1000-U517	-	-
40 mm	30 mm					
with nut		1000-U518	1000-U520	1000-U522	-	-
with earthing nut		1000-U519	1000-U521	1000-U523	-	-
50 mm	40 mm					
with nut		1000-U524	1000-U526	1000-U528	-	-
with earthing nut		1000-U525	1000-U527	1000-U529	-	-
60 mm	50 mm					
with nut		1000-U645	1000-U647	1000-U649	-	-
with earthing nut		1000-U646	1000-U648	1000-U650	-	-



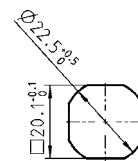
**Further parts see page**  
 – Cam with catch 1C-120 to 1C-180  
 – Accessories from 1C-340  
 – Escutcheon 3B-140  
 – Spare key 8B-140

# T-handle quarter turn

## PROGRAM 1000



Each round cylinder has one silver steel key with grip polyamide GF black.  
Screw and nut m.s. zinc-plated.  
Key removable in both positions.



Cut out

T-handle quarter turn,  
prepared for KABA cylinder type 1036 with standard locking  
and / or master key system on request.

### T-handle

IP 65

T-handle, housing zinc die chrome-plated; with seal;  
nut, earthing nut and screw m.s. zinc-plated.

Round cylinder zinc die with stainless steel cap and dust protection.  
Each round cylinder has one silver steel key with grip polyamide GF black.

GH 18 mm	Ts 1.5 - 8 mm	non locking	keyed EK 333	keyed different
with nut		1000-U9	1000-U10	1000-U11
with earthing nut		1000-U60	1000-U61	1000-U62
<b>30 mm</b>	<b>20 mm</b>			
with nut		1000-U116	1000-U118	1000-U120
with earthing nut		1000-U117	1000-U119	1000-U121
<b>40 mm</b>	<b>30 mm</b>			
with nut		1000-U122	1000-U124	1000-U126
with earthing nut		1000-U123	1000-U125	1000-U127
<b>50 mm</b>	<b>40 mm</b>			
with nut		1000-U128	1000-U130	1000-U132
with earthing nut		1000-U129	1000-U131	1000-U133
<b>60 mm</b>	<b>50 mm</b>			
with nut		1000-U594	1000-U596	1000-U598
with earthing nut		1000-U595	1000-U597	1000-U599





1 Quarter turns

2 Rod controls

3 Locking systems

4 Hinges

5 Seals

6 Handles

7 Aluminium windows

8 Miscellaneous

9 Special catalogues

Index

T-handle  
IP 65

T-handle, housing zinc die black powder-coated; nut, earthing nut and screw m.s. zinc-plated; with seal. Round cylinder zinc die with stainless steel cap and dust protection.

Each round cylinder has one silver steel key with grip polyamide GF black.

GH 18 mm	Ts 1.5 - 8 mm	non locking	keyed EK 333	keyed different
with nut		1000-U337	1000-U338	1000-U339
with earthing nut		1000-U340	1000-U341	1000-U342
30 mm	20 mm			
with nut		1000-U372	1000-U374	1000-U376
with earthing nut		1000-U373	1000-U375	1000-U377
40 mm	30 mm			
with nut		1000-U378	1000-U380	1000-U382
with earthing nut		1000-U379	1000-U381	1000-U383
50 mm	40 mm			
with nut		1000-U384	1000-U386	1000-U388
with earthing nut		1000-U385	1000-U387	1000-U389
60 mm	50 mm			
with nut		1000-U600	1000-U602	1000-U604
with earthing nut		1000-U601	1000-U603	1000-U605



T-handle  
IP 65

T-handle, housing, nut and screw AISI 316; with seal. Round cylinder stainless steel with stainless steel cap and dust protection.

Each round cylinder has one silver steel key with grip polyamide GF black.

GH 18 mm	Ts 1.5 - 8 mm	non locking	keyed EK 333	keyed different
with nut		1000-U664	1000-U10-PH	1000-U11-PH

T-handle  
IP 65

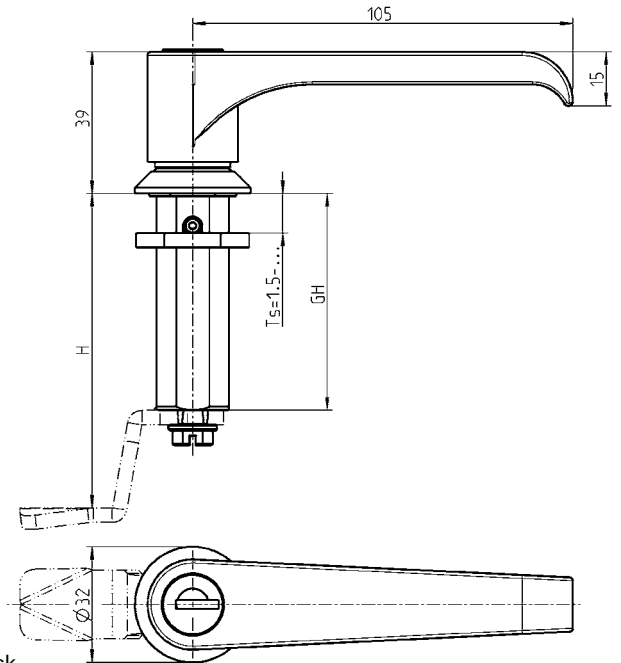
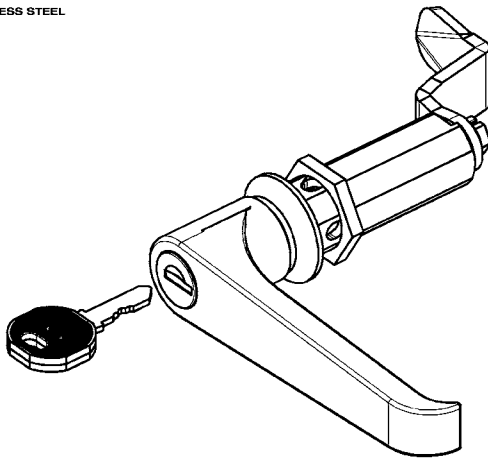
T-handle polyamide black; housing zinc die black powder-coated; nut, earthing nut and screw m.s. zinc-plated; with seal Round cylinder zinc die with stainless steel cap and dust cap. Each round cylinder has one silver steel key with grip polyamide GF black.

GH 18 mm	Ts 1.5 - 8 mm	non locking	keyed EK 333	keyed different
with nut		1000-U546	1000-U548	1000-U550
with earthing nut		1000-U547	1000-U549	1000-U551
30 mm	20 mm			
with nut		1000-U552	1000-U554	1000-U556
with earthing nut		1000-U553	1000-U555	1000-U557
40 mm	30 mm			
with nut		1000-U558	1000-U560	1000-U562
with earthing nut		1000-U559	1000-U561	1000-U563
50 mm	40 mm			
with nut		1000-U564	1000-U566	1000-U568
with earthing nut		1000-U565	1000-U567	1000-U569
60 mm	50 mm			
with nut		1000-U606	1000-U608	1000-U610
with earthing nut		1000-U607	1000-U609	1000-U611

Further parts see page  
 – Cam with catch 1C-120 to 1C-180  
 – Accessories from 1C-340  
 – Escutcheon 3B-140  
 – Spare key 8B-140

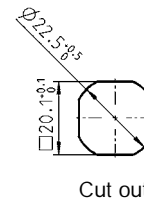
# L-handle quarter turn

## PROGRAM 1000



Each round cylinder has one silver steel key with grip polyamide GF black.  
Screw and nut m.s. zinc-plated.  
Key removable in both positions.

L-handle quarter turn,  
prepared for KABA cylinder type 1036 with standard locking  
and / or master key system on request.



Cut out

L-handle

L-handle, housing zinc die chrome-plated; with seal;  
nut, earthing nut and screw m.s. zinc-plated.

IP 65

Round cylinder zinc die with stainless steel cap and dust protection.

Each round cylinder has one silver steel key with grip polyamide GF black.

GH 18 mm	Ts 1.5 - 8 mm	non locking	keyed EK 333	keyed different
with nut		1000-U14	1000-U15	1000-U16
with earthing nut		1000-U57	1000-U58	1000-U59
<b>30 mm</b>	<b>20 mm</b>			
with nut		1000-U98	1000-U100	1000-U102
with earthing nut		1000-U99	1000-U101	1000-U103
<b>40 mm</b>	<b>30 mm</b>			
with nut		1000-U104	1000-U106	1000-U108
with earthing nut		1000-U105	1000-U107	1000-U109
<b>50 mm</b>	<b>40 mm</b>			
with nut		1000-U110	1000-U112	1000-U114
with earthing nut		1000-U111	1000-U113	1000-U115
<b>60 mm</b>	<b>50 mm</b>			
with nut		1000-U612	1000-U614	1000-U616
with earthing nut		1000-U613	1000-U615	1000-U617



1 Quarter turns

2 Rod controls

3 Locking systems

4 Hinges

5 Seals

6 Handles

7 Aluminium windows

8 Miscellaneous

9 Special catalogues

L-handle  
IP 65

L-handle, housing zinc die black powder-coated;  
nut, earthing nut and screw m.s. zinc-plated; with seal.  
Round cylinder zinc die with stainless steel cap  
and dust protection.  
Each round cylinder has one silver steel key  
with grip polyamide GF black.

GH 18 mm	Ts 1.5 - 8 mm	non locking	keyed EK 333	keyed different
with nut		1000-U353	1000-U390	1000-U391
with earthing nut		1000-U392	1000-U393	1000-U394
30 mm	20 mm			
with nut		1000-U354	1000-U356	1000-U358
with earthing nut		1000-U355	1000-U357	1000-U359
40 mm	30 mm			
with nut		1000-U360	1000-U362	1000-U364
with earthing nut		1000-U361	1000-U363	1000-U365
50 mm	40 mm			
with nut		1000-U366	1000-U368	1000-U370
with earthing nut		1000-U367	1000-U369	1000-U371
60 mm	50 mm			
with nut		1000-U618	1000-U620	1000-U622
with earthing nut		1000-U619	1000-U621	1000-U623



L-handle  
IP 65

L-handle, housing, nut and screw AISI 316; with seal.  
Round cylinder stainless steel with stainless steel cap  
and dust protection.  
Each round cylinder has one silver steel key  
with grip polyamide GF black.

GH 18 mm	Ts 1.5 - 8 mm	non locking	keyed EK 333	keyed different
with nut		1000-U658	1000-U15-PH	1000-U16-PH

L-handle  
IP 65

L-handle polyamide black;  
housing zinc die black powder-coated;  
nut, earthing nut and screw m.s. zinc-plated; with seal.  
Round cylinder zinc die with stainless steel cap and dust cap.  
Each round cylinder has one silver steel key  
with grip polyamide GF black.

GH 18 mm	Ts 1.5 - 8 mm	non locking	keyed EK 333	keyed different
with nut		1000-U570	1000-U572	1000-U574
with earthing nut		1000-U571	1000-U573	1000-U575
30 mm	20 mm			
with nut		1000-U576	1000-U578	1000-U580
with earthing nut		1000-U577	1000-U579	1000-U581
40 mm	30 mm			
with nut		1000-U582	1000-U584	1000-U586
with earthing nut		1000-U583	1000-U585	1000-U587
50 mm	40 mm			
with nut		1000-U588	1000-U590	1000-U592
with earthing nut		1000-U589	1000-U591	1000-U593
60 mm	50 mm			
with nut		1000-U624	1000-U626	1000-U628
with earthing nut		1000-U625	1000-U627	1000-U629

Further parts see page  
– Cam with catch to 1C-120  
to 1C-180  
– Accessories from 1C-340  
– Escutcheon 3B-140  
– Spare key 8B-140



IP 65 on request!

Insert with spring-loaded return  
(two-hand operation)



IP 65

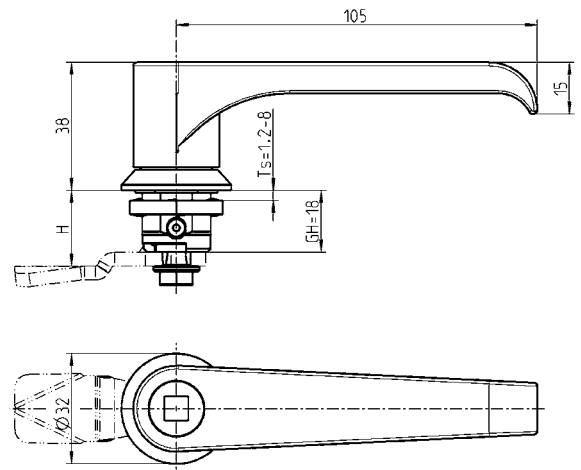
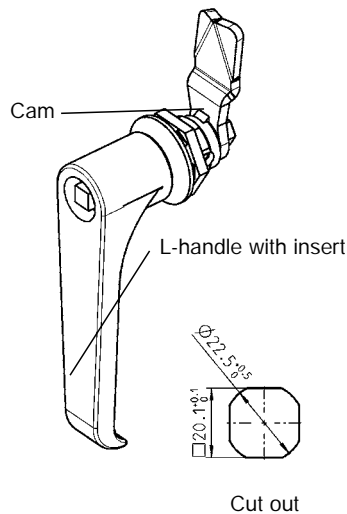
**Attention:**  
L-handle is locked when  
a padlock is fitted.

Further parts see page

- Cam with catch to 1C-120
- Accessories from 1C-340
- Escutcheon 3B-140
- Key 8B-120

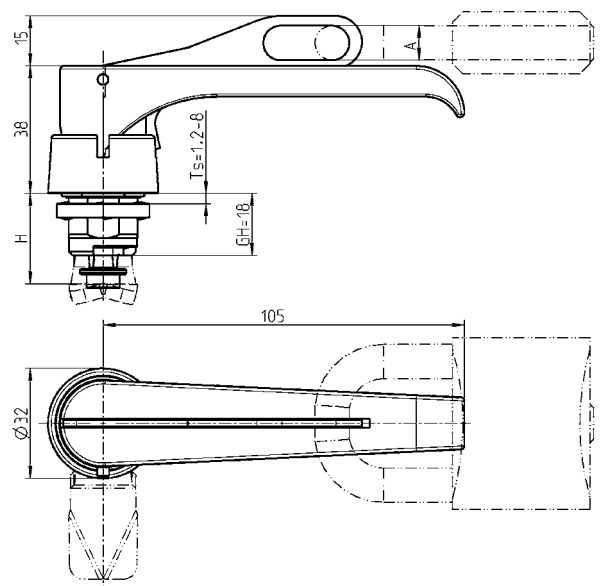
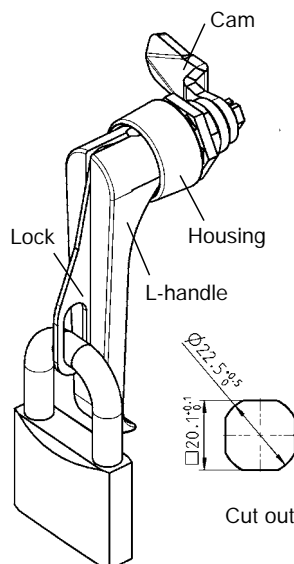
**1B-620**

(1B-290)



L-handle with housing and insert zinc die;  
earthing nut and screw m.s. zinc-plated; with seal

	chrome-plated	black powder-coated		chrome-plated	black powder-coated
Square 7	1000-U89	1000-U395	Double bit 5	1000-U94	1000-U400
Square 8	1000-U90	1000-U396	Daimler Benz	1000-U95	1000-U401
Triangular 6.5 CNOMO	1000-U423	1000-U422	Slot 2 x 4	1000-U434	1000-U435
Triangular 7	1000-U91	1000-U397	Slot 1.2 x 3	1000-U656	1000-U657
Triangular 8	1000-U92	1000-U398	Eastern Europe	1000-U659	1000-U660
Double bit 3	1000-U93	1000-U399	$\varnothing 13$ half-round		

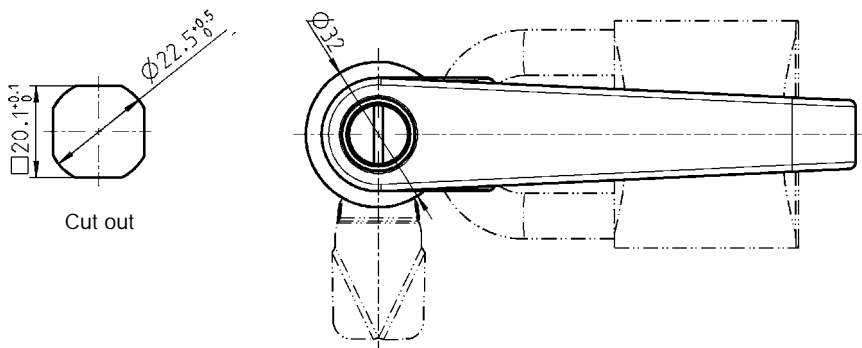
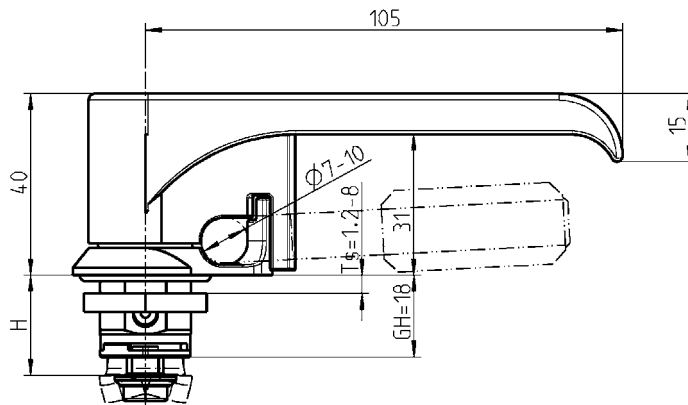
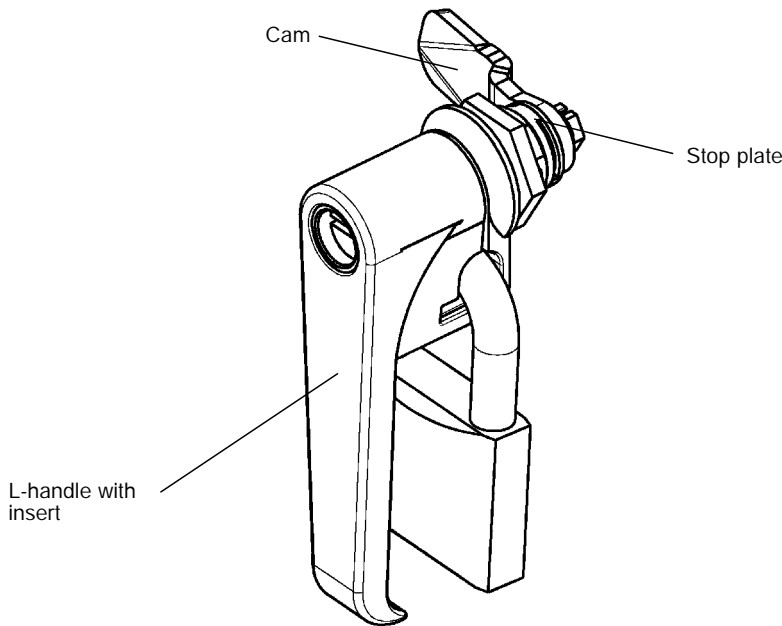


L-handle with housing zinc-die; lock and spring stainless steel;  
earthing nut and screw m.s. zinc-plated; with seal

	chrome-plated	black powder-coated		chrome-plated	black powder-coated
Dim. A = 7	1000-U501	1000-U502	Dim. A = 10	1000-U189	1000-U402

# L-handle quarter turn for padlock

## PROGRAM 1000



L-handle with housing zinc die black powder-coated;  
stop plate zinc die right and left usable;  
nut and screw m.s. zinc-plated; with seal

with insert slot 2 x 4 coinproof zinc die chrome-plated	1000-U770
without insert	1000-U771

Insert is spring-loaded  
(2 hand operation)

**Attention:**  
L-handle is locked when  
a padlock is fitted.

**Further parts see page**  
– Cam without catch 1C-120  
– Accessories 1C-360  
1C-380

**Further inserts**  
(e.g. see page 1B-620)  
**on request!**

Info

1 Quarter turns

2 Rod controls

3 Locking systems

4 Hinges

5 Seals

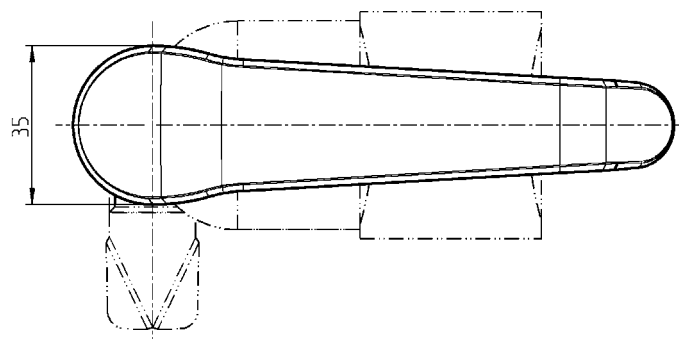
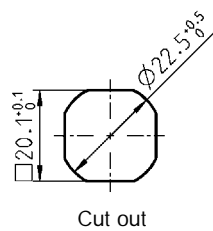
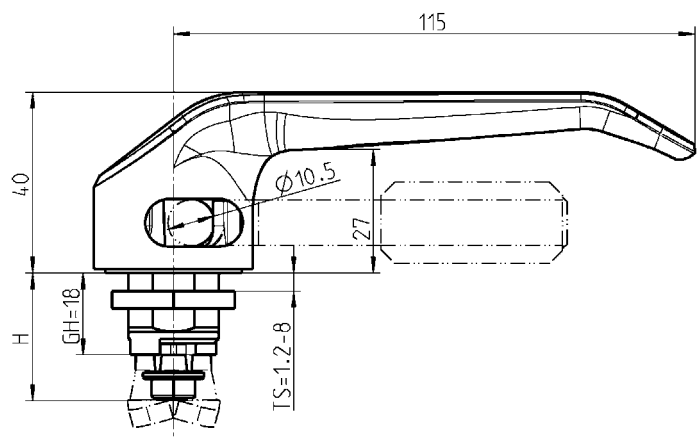
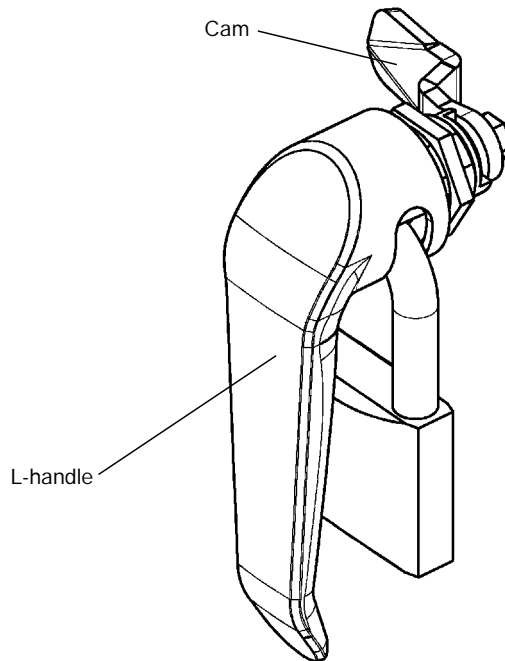
6 Handles

7 Aluminium windows

8 Miscellaneous

9 Special catalogues

Index



**Attention:**  
L-handle is locked when a padlock is fitted.

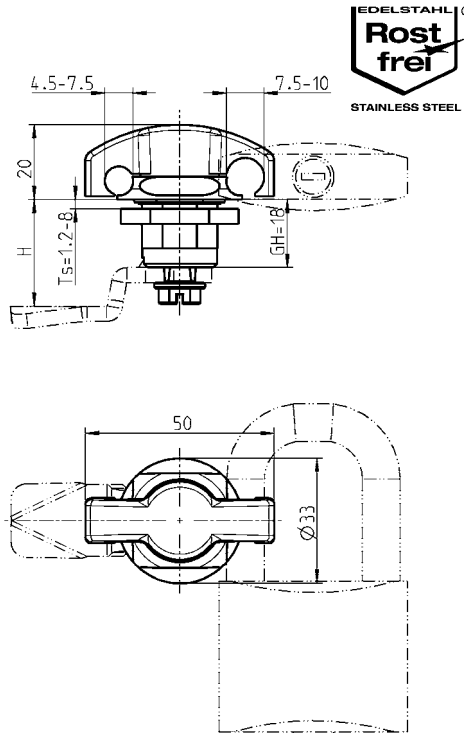
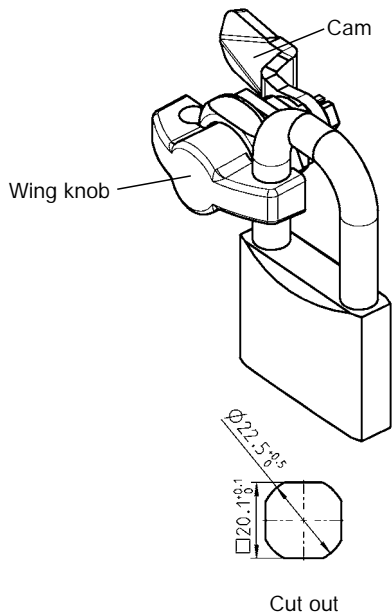
**Further parts see page**  
– Cam with catch 1C-120

**L-handle material of choice;**  
**nut and screw m.s. zinc-plated or stainless steel;**  
**with seal**

Zinc die black powder-coated	1000-U860-01AA
Zinc die chrome-plated	1000-U860-011A
AISI 316	1000-U860

# Quarter turn for padlock

## PROGRAM 1000



Wing knob and housing zinc die black powder-coated;  
nut and screw m.s. zinc-plated; with seal

1000-U429-01

Wing knob and housing AISI 316;  
nut and screw stainless steel; with seal.

1000-U429-01PH



IP 65

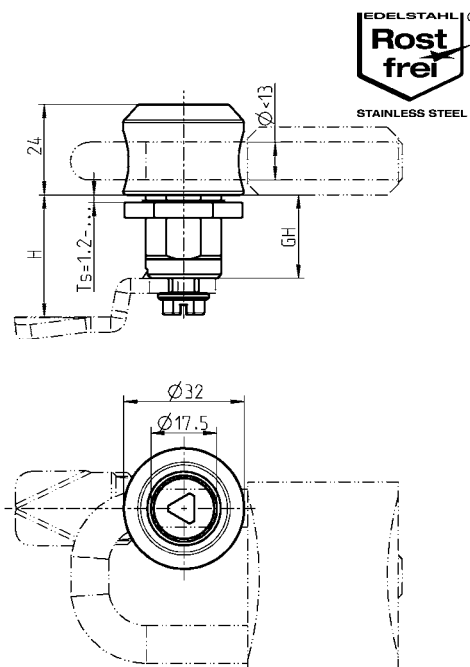
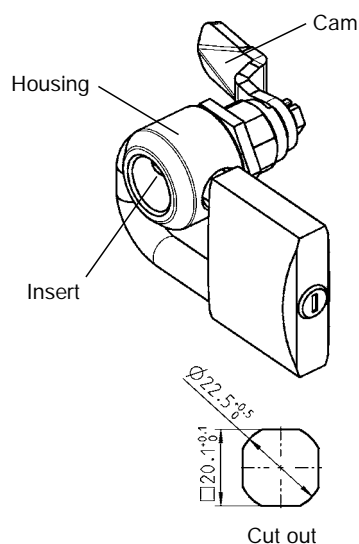
### Attention:

The wing knob cannot be moved when the padlock with the corresponding shackle diameter is hooked in.

For shackle Ø 4.5 to 10

### Further parts see page

- Cam with catch 1C-120 to 1C-180
- Accessories from 1C-340



For shackle ≤ Ø 13

### Note:

Quarter turn assembly 1B-105

### Further parts see page

- Insert 1B-140
- IP 65 or IP 66 1B-140
- Cam with catch 1C-120
- Accessories from 1C-340
- Escutcheon 3B-140
- Key 8B-120

GH	TS<	Housing zinc die black powder-coated; nut m.s. zinc-plated	Housing zinc die black powder-coated; earthing nut m.s. zinc-plated	Housing AISI 303; nut AISI 303
22	13	1000-U436	1000-U438	1000-U436-PF
32	23	1000-U437	1000-U439	-
42	33	1000-U734	1000-U735	-

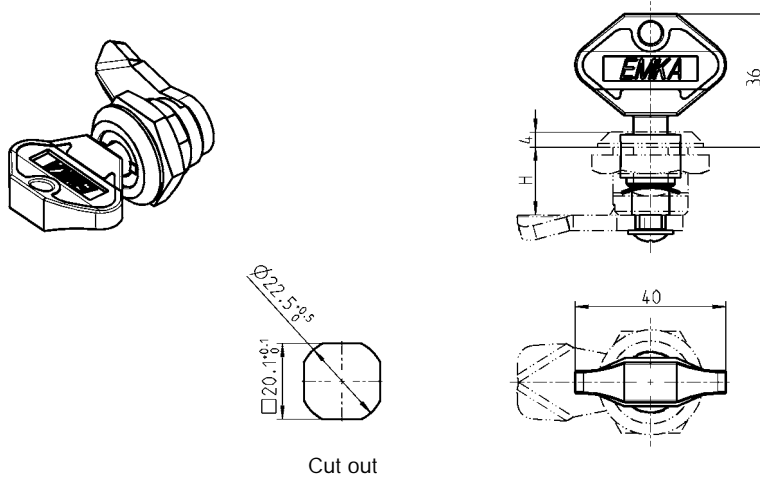




# Clip-in key, Wing knob for insert

## PROGRAM 1000

**Clip-in key**  
Key can be used as handle



The key clips into the insert with its clip-in arms and is captivated.  
The key cannot be removed without destruction unless lock is disassembled.

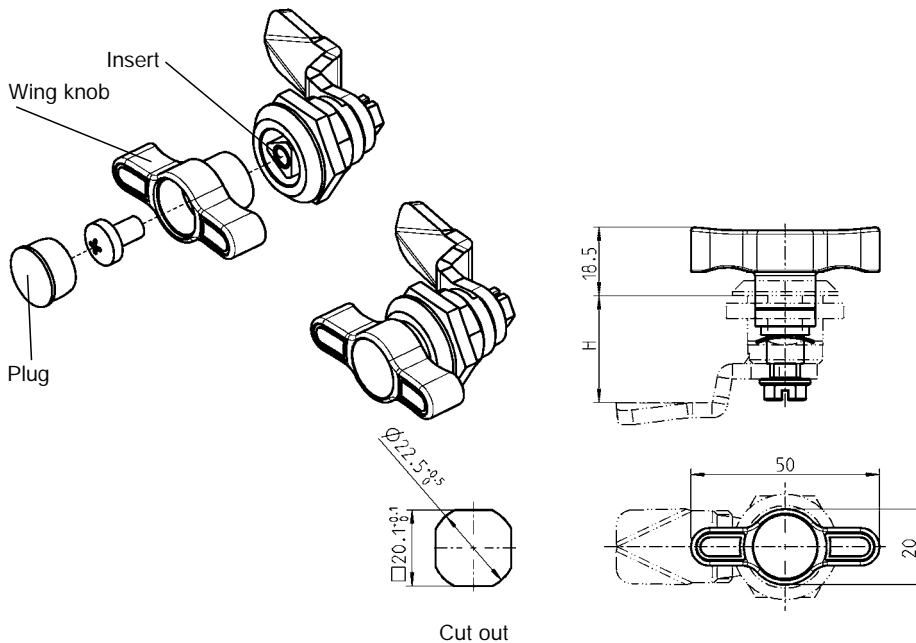
**Insert polyamide black;  
spring washer and self-cutting screw m.s. zinc-plated**

Double bit 3	1000-U745	Double bit 5	1000-U744
--------------	-----------	--------------	-----------

**Key polyamide black**

Key double bit 3	1004-34-01	Key double bit 5	1004-33-01
------------------	------------	------------------	------------

### Wing knob for insert



**Wing knob polyamide GF black; plugs PE black;  
fixing material m.s. zinc-plated**

for square 8	1000-U764	for triangular 10	1000-U762
--------------	-----------	-------------------	-----------

**Insert with female thread M6 zinc die chrome-plated**

Square 8	1000-U765	Triangular 10	1000-U763
----------	-----------	---------------	-----------

© EMKA Beschlagteile GmbH & Co. KG • 2021 • www.emka.com

Items printed in gray without stock



1 Quarter turns



2 Rod controls



3 Locking systems

Key can be used as handle

4 Hinges

**Further parts see page**  
– Housing and cam 1B-160

5 Seals



6 Handles

**Note:**  
Quarter turn assembly 1B-105

7 Aluminium windows

**Further parts see page**  
– Housing 1B-140  
1B-160  
– Cam with catch 1C-120  
to 1C-180  
– Accessories from 1C-340

8 Miscellaneous

9 Special catalogues

Info

1 Quarter turns



2 Rod controls



3 Locking systems



4 Hinges

**IP 40**

**Characteristics:**  
Easy to install!

Easy to assemble by using clip fix plastic parts.

5 Seals

6 Handles



7 Aluminium windows

**Attention:**  
GH reduced from 18 to 15

8 Miscellaneous

**Note:**  
Quarter turn assembly 1B-105

**Further parts see page**

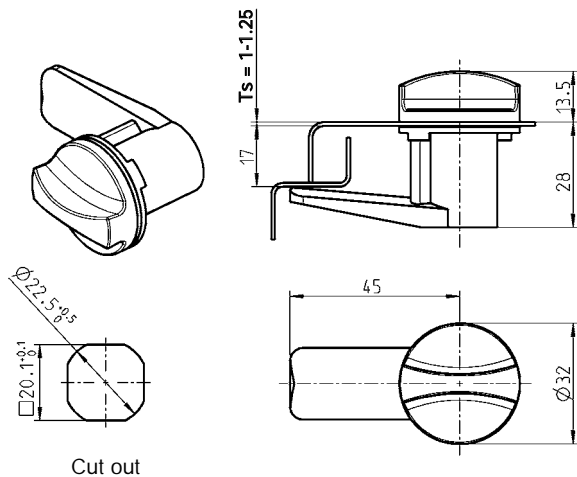
- Insert 1B-140
- Cam with catch 1C-120 (GH = 18)
- Attention: With this cam, the H-dimension is reduced by 3 mm.
- Key 8B-120

9 Special catalogues

**1B-760**

(1B-220)

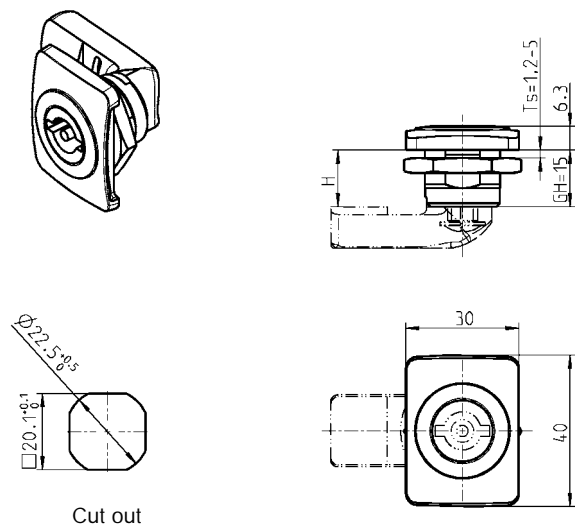
Clip-in quarter turn



Clip-in quarter turn polyamide GF, RH / LH version

black	1000-U349
grey RAL 7032	1000-U350

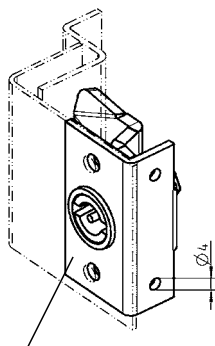
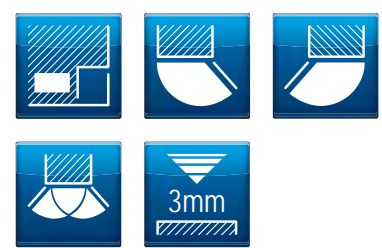
Housing for quarter turns



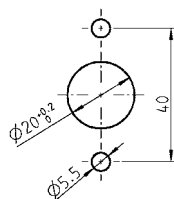
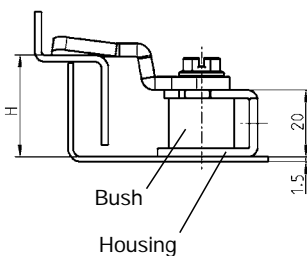
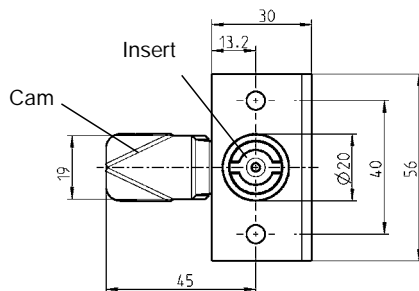
Housing polyamide GF black; nut m.s. zinc-plated

Right-hand version	1000-U740
Left-hand version	1000-U740-01
<b>IP 65 achieved by:</b>	
Flat seal	1000-23
O-ring	1000-24
<b>IP 66 achieved by:</b>	
Seal set	1000-U769

# Quarter turn, screw-on or weld-on PROGRAM 1000



Bush with flush housing available on request



Cut out  
Bore holes  $\varnothing 5.5$   
are omitted when  
welding on



Cam m.s. zinc-plated Dim. H	
6	1000-112
8	1000-22
10	1000-113
12	1000-21
15	1000-20
16	1000-19
18	1000-18
20	1000-17
22	1000-16
24	1000-15
26	1000-14
27	1000-27
28	1000-50
30	1000-13
32	1000-28
34	1000-26
36	1000-12
37	1000-11
38	1000-51
40	1000-52
42	1000-25
44	1000-53
46	1000-54
49	1000-55
52	1000-56

### Housing m.s. raw; bush zinc die zinc-plated

Right-hand version as drawn	1057-U1
Left-hand version	1057-U2

Housing also available zinc-plated on request.

Further parts see page

– Insert 1B-140  
– Key 8B-120

Info

1 Quarter turns

2 Rod controls

3 Locking systems

4 Hinges

5 Seals

6 Handles

7 Aluminium windows

8 Miscellaneous

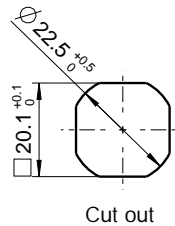
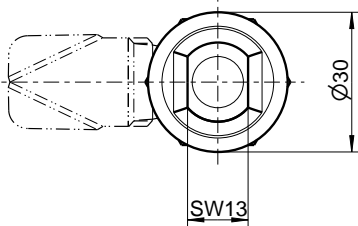
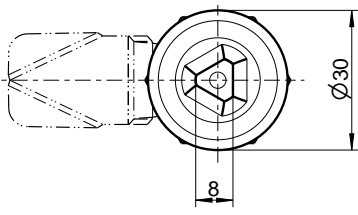
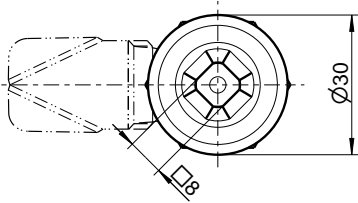
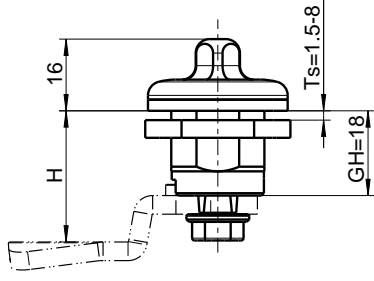
9 Special catalogues

Index



Quarter turn for hygienic areas for food and medical sector

St. steel quarter turn for hygienic areas with flat seal flush on the outside



Note:  
The quarter turns for hygienic areas meet the hygiene requirement acc. to DIN EN 1672-2, DIN EN 14159 and EHEDG Dok.8.

The seals meet the requirements of the FDA 21 CFR 177.2600 and VO 1935/2004.

Further parts see page  
- Cam with catch 1C-120  
(GH = 18)

**Quarter turn for hygienic areas AISI 303 or 316L; with seal**

AISI 303 - for food sector  
AISI 316L - for food and medical sector

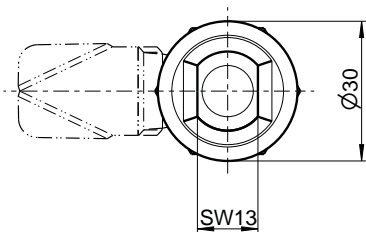
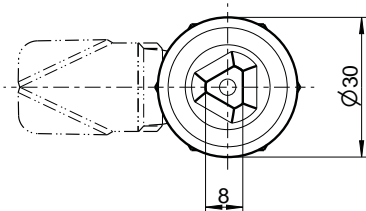
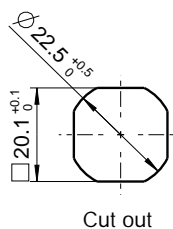
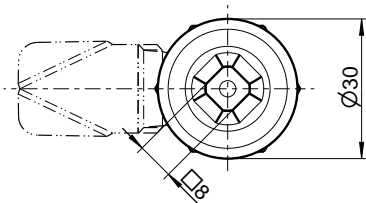
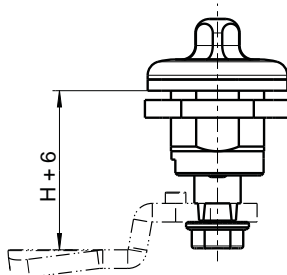
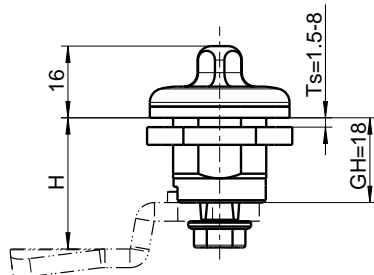
Square 8, AISI 303	1000-U960-01PF
Square 8, AISI 316L	1000-U960-01
Triangular 8, AISI 303	1000-U941-01PF
Triangular 8, AISI 316L	1000-U941-01
Hygiene SW 13, AISI 303	1000-U838-02PF
Hygiene SW 13, AISI 316L	1000-U838-02
<b>Key handle polyamide blue</b>	
Square 8	1004-62
Triangular 8	1004-61
Hygiene SW 13	1004-60
<b>Key zinc die raw</b>	
Hygiene SW 13	1004-53

# Stainless steel compression latch for hygienic areas

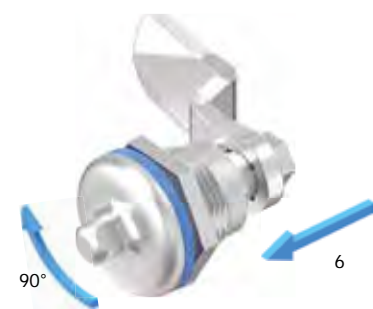
## PROGRAM 1000

Compression latch for hygienic areas for food and medical sector

St. steel compression latch for hygienic areas with flat seal flush on the outside



**Open condition**  
Turning the insert 90° causes the cam to rotate.



**Closed condition**  
Further rotation of the insert by 90° moves the cam 6 mm in axial direction.



**Compressed condition**

**Open:**  
Reversed motion

**Note:**  
The compression latches for hygienic areas meet the hygiene requirement acc. to DIN EN 1672-2, DIN EN 14159 and EHEDG Dok.8.

The seals meet the requirements of the FDA 21 CFR 177.2600 and VO 1935/2004.

**Further parts see page**  
– Cam with catch 1C-120  
(GH = 18)

### Compression latch for hygienic areas AISI 303 or 316L; with seal

AISI 303 - for food sector

AISI 316L - for food and medical sector

Square 8, AISI 303

on request

Square 8, AISI 316L

1000-U963

Triangular 8, AISI 303

on request

Triangular 8, AISI 316L

1000-U962

Hygiene SW 13, AISI 303

on request

Hygiene SW 13, AISI 316L

1000-U961

### Key handle polyamide black

Square 8

1004-62

Triangular 8

1004-61

Hygiene SW 13

1004-60

### Key zinc die raw

Hygiene SW 13

1004-53

Info

1 Quarter turns

2 Rod controls

3 Locking systems

4 Hinges

5 Seals

6 Handles

7 Aluminium windows

8 Miscellaneous

9 Special catalogues

Index

Info

1 Quarter turns



2 Rod controls



3 Locking systems



4 Hinges



**Open condition**  
Turning the insert 90° causes the cam to rotate.

5 Seals



**Closed condition**  
Further rotation of the insert by 90° moves the cam 6 mm in axial direction.

6 Handles



**Compressed condition**

**Open:**  
Reversed motion

7 Aluminium windows

8 Miscellaneous

9 Special catalogues

Index

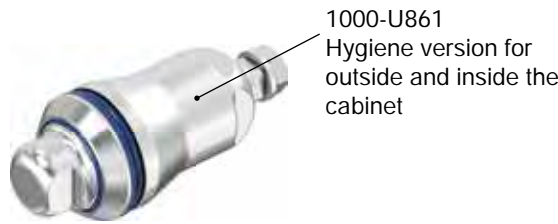


The compression latch for hygienic areas meets the hygiene requirement acc. to DIN EN 1672-2 and DIN EN 14159.

This item is completely IP69K, not only from outside to inside (common standard), but also within the application.

**Tamper and vibration-proof**

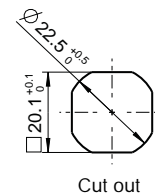
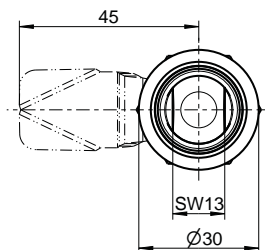
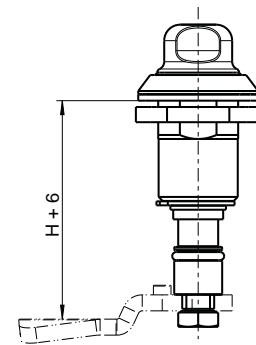
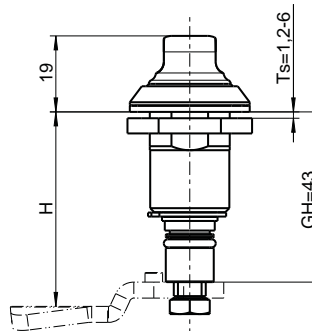
The compression latch is designed to be vibration-proof as such. Depending on the installation location and operational conditions, specific checks are necessary and/or supplementary measures of fastening required.



1000-U861  
Hygiene version for outside and inside the cabinet



1000-U862  
Hygiene version for outside the cabinet, not for inside



Further parts see page  
– Cam with or without catch

1C-120

**Compression latch for hygienic areas AISI 316L; with spring and seal**

Hygiene version for outside and inside the cabinet on request

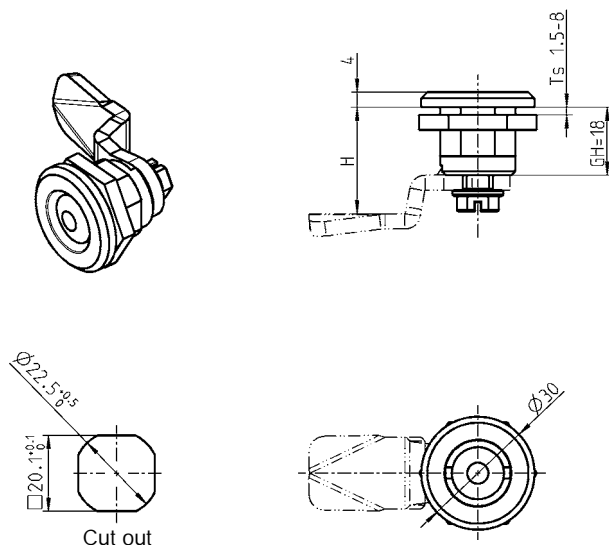
Hygiene version for outside the cabinet, not for inside 1000-U862

**Key zinc die raw**

1004-53

# Quarter turn PROGRAM 1000

Quarter turn for Swedish power companies  
EBR standard



Housing with insert zinc die chrome-plated; screw and nut m.s. zinc-plated

1000-U768

IP 65 achieved by:

Flat seal

1000-23

O-ring

1000-24

IP 66 achieved by:

Seal set

1000-U769

Assembly on request

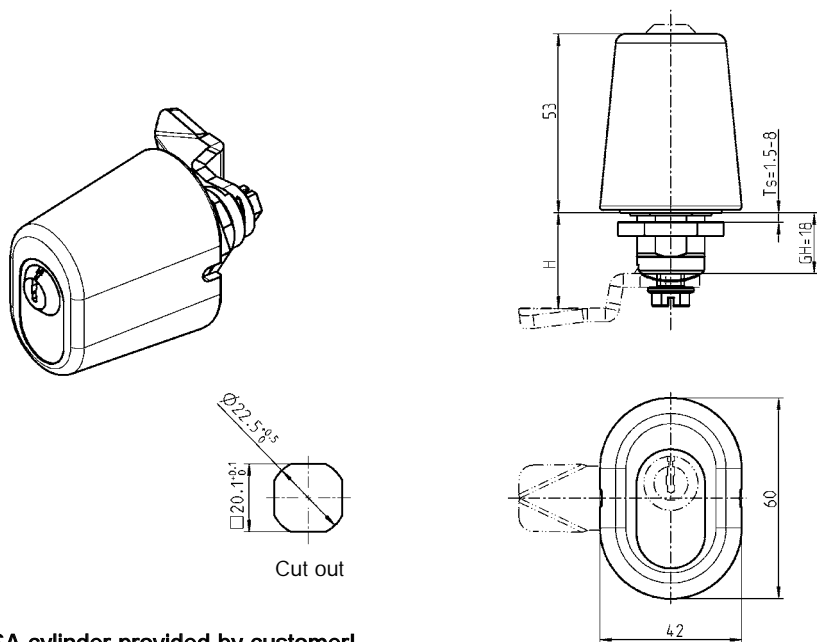
without O-ring

1000-990

with O-ring

1000-991

Wing knob quarter turn for ASSA cylinder



ASSA cylinder provided by customer!

Handle Polyamide black; housing zinc die zinc-plated;  
screws and nut m.s. zinc-plated; with seal

1000-U653



Further parts see page

– Cam with catch 1C-120 to 1C-180

– Accessories from 1C-170



Further parts see page

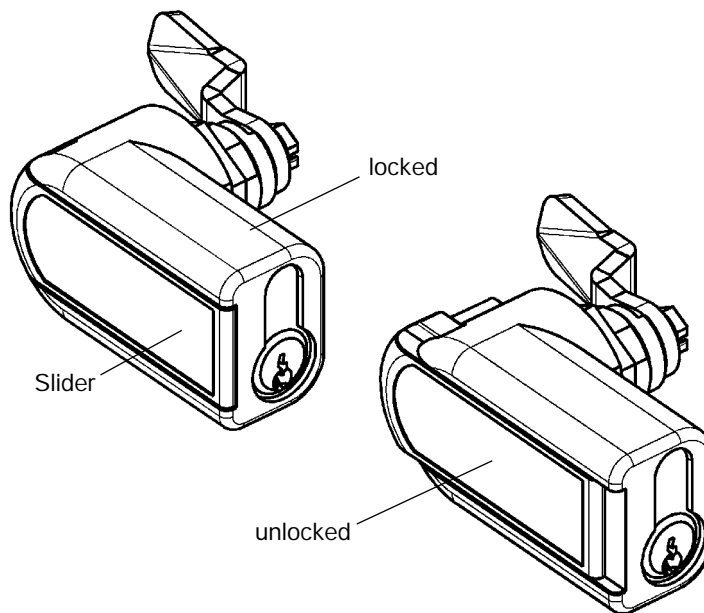
– Cam with catch 1C-120 to 1C-180

### Quarter turn for profile half cylinder

#### PROGRAM 1000

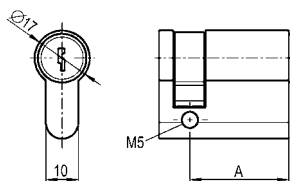
Tamper and vibration-proof with profile half cylinder acc. to DIN 18252 (EN1303)

Info  
1 Quarter turns  
2 Rod controls  
3 Locking systems  
4 Hinges  
5 Seals  
6 Handles  
7 Aluminium windows  
8 Miscellaneous  
9 Special catalogues  
Index



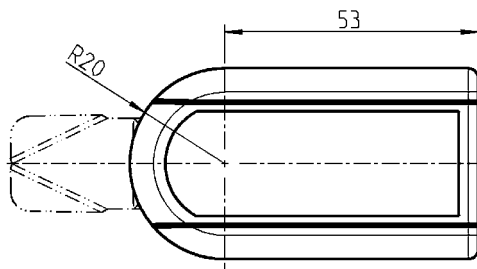
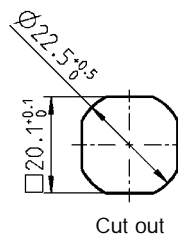
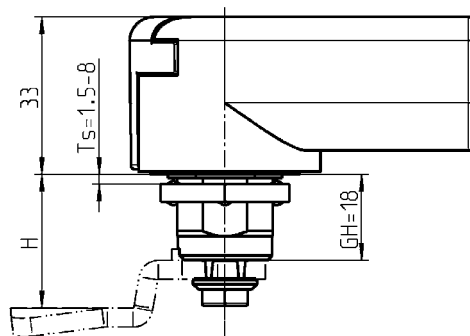
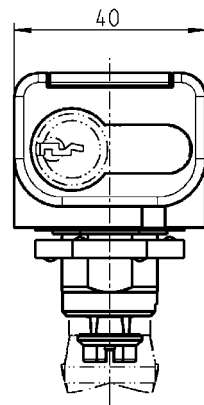
**Locking process with EMKA profile half cylinder**  
Locking possible without key.

**Locking process with profile half cylinder according to DIN 18252**  
Locking only possible with key.



Profile half cylinder acc. to DIN 18252 (EN 1303)  
Dim. A = 30 corresponds to the total length 40

The locking cam has to be between 3 and 5 o'clock locking position.



**Further parts see page**

- Cam with catch 1C-120
  - Profile half cylinder 3XB-120
- (Attention: the use of push button profile half cylinder and blind plug is not possible)

Housing zinc die; handle polyamide GF black;  
earthnut and screws m.s. zinc-plated;  
with spring and seal

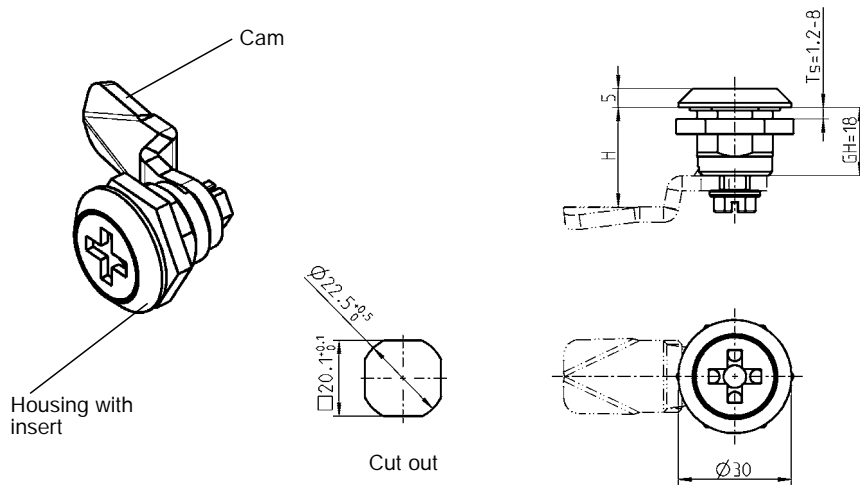
1000-U837



# FIAT and Railway quarter turn

## PROGRAM 1000

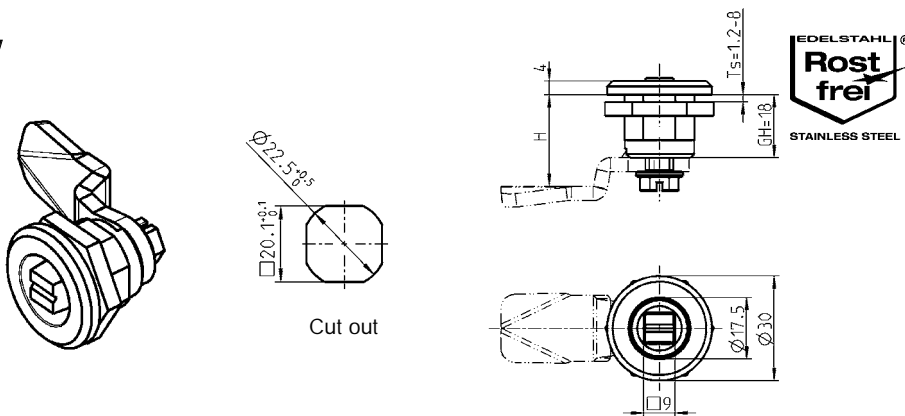
### FIAT



Housing\* with Insert zinc die chrome-plated;  
screw, nut or earthing nur m.s. zinc-plated; with seal

	Nut	Earthing nut
	1000-U426	1000-U427

### Railway



Housing zinc die surface of choice; screw, nut or earthing nut m.s. zinc-plated;  
insert material and surface of choice

Insert m.s. zinc-plated	Nut	Earthing nut
Housing chrome-plated	1000-U431	1000-U499
Housing black powder-coated	1000-U432	1000-U500
Insert zinc die chrome-plated	Nut	Earthing nut
Housing chrome-plated	1000-U431-01	-
Housing with insert, screw and nut AISI 303	1000-U431-PF	-

#### IP 65 achieved by

Flat seal	1000-23
O-ring	1000-24

#### IP 66 achieved by:

Seal set	1000-U769
----------	-----------

#### Assembly on request

without O-ring	1000-990
with O-ring	1000-991



\* = IP 65



#### Note:

Quarter turn assembly 1B-105

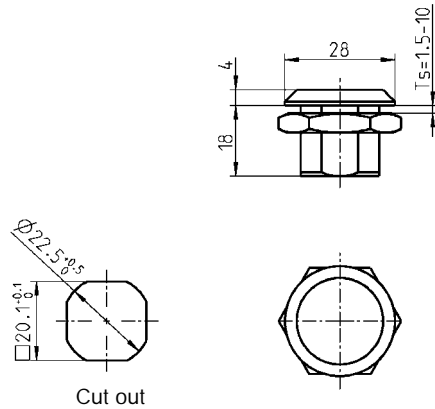
#### Further parts see page

- Cam with catch 1C-120 to 1C-180  
- Accessories from 1C-170  
- Escutcheon 3B-140  
- Key 8B-120

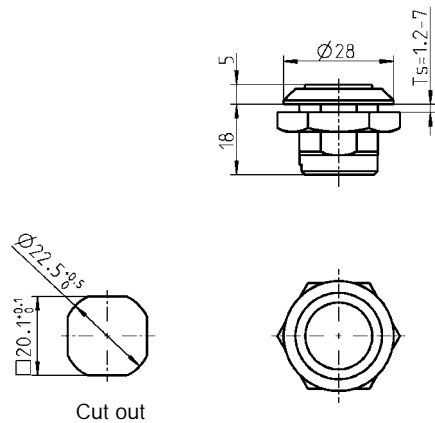


# Blind plug PROGRAM 1000

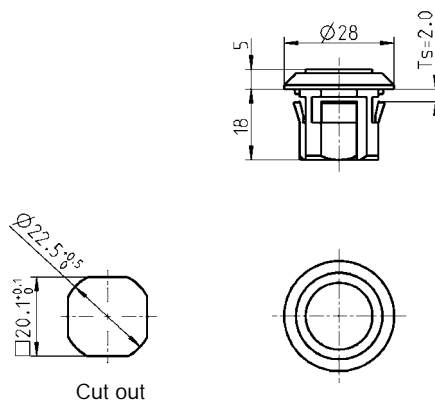
### Version A: Nut fixing



### Version B: Nut fixing



### Version C: Clip-in fixing



Version A



Version B



Version C

**Version A: Housing zinc die surface of choice; nut m.s. zinc-plated**

black powder-coated	1000-U933
chrome-plated	1000-U934

**Version B: Housing and nut polyamide GF black; plug polyethylene black**

1000-U936

**Version C: Housing polyamide GF black; plug polyethylene black; with O-ring**

IP 50	1000-U935
-------	-----------

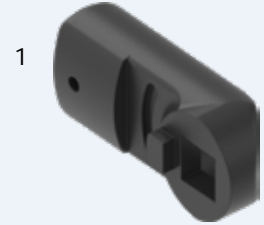
**Version A and B: IP 65 is achieved by**

Flat seal	1000-23
-----------	---------

# Quarter turn accessories

## Large version

### Program 1000

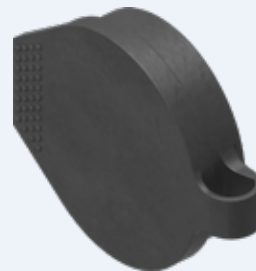




9



10



11



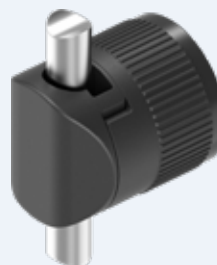
11



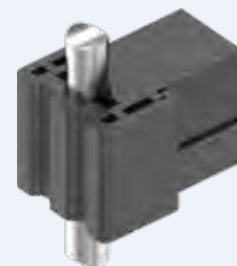
12



13



14



14

- |    |   |                |
|----|---|----------------|
| 1  | Cam with or without catch                         | 1C-120, 1C-137 |
| 2  | Rod control for steel cam and stainless steel cam | 1C-120         |
| 3  | Cam with rod control                              | 1C-120         |
| 4  | Rod control                                       | 1C-120         |
| 5  | Ramp  | 1C-170         |
| 6  | Hooked cam  | 1C-160         |
| 7  | Slam cam  | 1C-180         |
| 8  | Hook lever lock                                   | 1C-180         |
| 9  | Inside handle for cam                             | 1C-170         |
| 10 | Finger pull                                       | 1C-320         |
| 11 | Dust cap  | 1C-320, 1C-340 |
| 12 | Anti-rotation device                              | 1C-360         |
| 13 | Dish for quarter turn                             | 1C-380         |
| 14 | Rod   | 1C-620         |
| 15 | Rod guide   | 1C-630, 1C-640 |



**1C-100**

# Cam with catch, Cam without catch

## PROGRAM 1000

Info  
1 Quarter turns  
2 Rod controls  
3 Locking systems  
4 Hinges  
5 Seals  
6 Handles  
7 Aluminium windows  
8 Miscellaneous  
9 Special catalogues  
Index

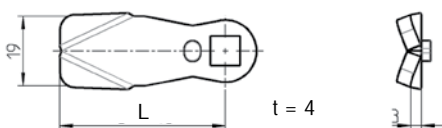


Cam with catch

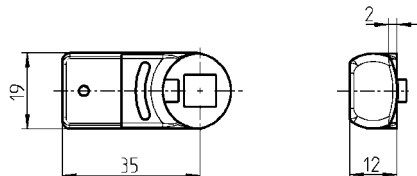


Cam without catch  
on request

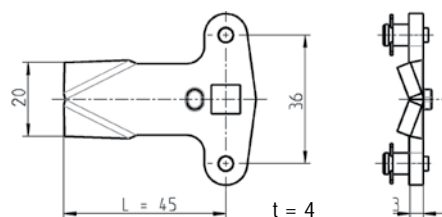
Version 1  
Cam



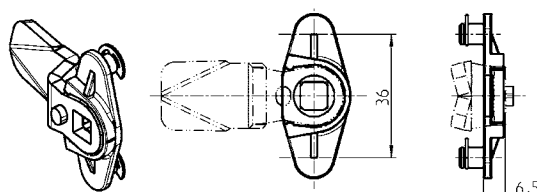
Version 2  
Cam



\*Version 3  
Cam with rod control (flank cam)



\*Version 4  
Rod control for steel cam or stainless steel cam



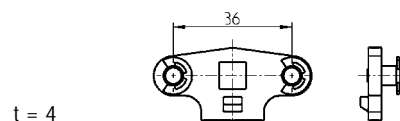
Rod control zinc die zinc-plated,  
circlip m.s. zinc-plated

1000-U776

Rod control AISI 316,  
circlip stainless steel

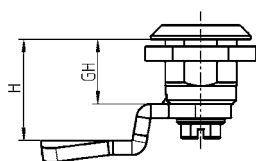
1000-U776-PH

\*Version 5  
Rod control



Rod control m.s. zinc-plated

1000-U167



minus offset ↑  
straight version  
↓ plus offset

Cam with catch, material of choice

H-dimensions for GH =														Version 1	
18	22	28	30	31	32	36	39	40	42	43	45	50	60	L = 45 m.s. zinc- plated	L = 45 AISI 304
4	8	14	16	17	18	22	25	26	28	29	31	36	46	1000-112	-
6	10	16	18	19	20	24	27	28	30	31	33	38	48	1000-22	1000-221
8	12	18	20	21	22	26	29	30	32	33	35	40	50	1000-113	-
10	14	20	22	23	24	28	31	32	34	35	37	42	52	1000-21	1000-223
13	17	23	25	26	27	31	34	35	37	38	40	45	55	1000-20	-
14	18	24	26	27	28	32	35	36	38	39	41	46	56	1000-19	1000-225
15	19	25	27	28	29	33	36	37	39	40	42	47	57	-	-
16	20	26	28	29	30	34	37	38	40	41	43	48	58	1000-18	-
18	22	28	30	31	32	36	39	40	42	43	45	50	60	1000-17	1000-227
20	24	30	32	33	34	38	41	42	44	45	47	52	62	1000-16	1000-228
22	26	32	34	35	36	40	43	44	46	47	49	54	64	1000-15	1000-179
24	28	34	36	37	38	42	45	46	48	49	51	56	66	1000-14	1000-229
25	29	35	37	38	39	43	46	47	49	50	52	57	67	1000-27	-
26	30	36	38	39	40	44	47	48	50	51	53	58	68	1000-50	1000-230
28	32	38	40	41	42	46	49	50	52	53	55	60	70	1000-13	1000-180
30	34	40	42	43	44	48	51	52	54	55	57	62	72	1000-28	1000-232
32	36	42	44	45	46	50	53	54	56	57	59	64	74	1000-26	-
34	38	44	46	46	48	52	55	56	58	59	61	66	76	1000-12	-
35	39	45	47	48	49	53	56	57	59	60	62	67	77	1000-11	-
36	40	46	48	49	50	54	57	58	60	61	63	68	78	1000-51	-
38	42	48	50	51	52	56	59	60	62	63	65	70	80	1000-52	-
40	44	50	52	53	54	58	61	62	64	65	67	72	82	1000-25	-
42	46	52	54	55	56	60	63	64	66	67	69	74	84	1000-53	-
44	48	54	56	57	58	62	65	66	68	69	71	76	86	1000-54	-
45	49	55	57	58	59	63	66	67	69	70	72	77	87	1000-10	-
47	51	57	59	60	61	65	68	69	71	72	74	79	89	1000-55	-
50	54	60	62	63	64	68	71	72	74	75	78	82	92	1000-56	-

\* When using cams for rod operation you must be aware that the rods travel in an axial direction.



The ramp increases the compression by 4 mm.  
see catalogue page 1C-170



**Note:**

This catalogue page does not show all available cams.  
Other versions such as:  
– Cams without catch  
– Cams with other H- and L-dimension  
– Cams with recess in the opposite direction  
– etc.  
please ask.

Version 1		Version 1		Version 2	Version 3	
L = 45 AISI 316	L = 35 m.s. zinc-plated	L = 35 ① Polyamide GF black	Polyamide GF black	m.s. zinc-plated	AISI 304	
-	-	-	-	-	1000-U63	-
1000-221-PD	-	-	-	-	1000-U21	-
-	-	-	-	-	1000-U64	-
1000-223-PD	-	-	-	-	1000-U22	-
-	-	-	-	-	1000-U23	-
1000-225-PD	-	-	-	-	1000-U24	-
-	-	1000-5043-SI	-	-	-	-
-	-	-	-	-	1000-U25	-
1000-227-PD	1000-5046	1000-5046-SI	1000-386-18	1000-U26	-	-
1000-228-PD	1000-5161	-	1000-386-20	1000-U27	-	-
1000-179-PD	1000-5119	-	1000-386-22	1000-U28	-	-
1000-229-PD	-	-	1000-386-24	1000-U29	1000-U139	-
-	-	-	-	1000-U30	-	-
1000-230-PD	-	-	-	1000-U31	-	-
1000-180-PD	1000-5164	-	1000-386-28	1000-U32	1000-U140	-
-	-	-	1000-386-30	1000-U33	-	-
-	-	-	-	1000-U34	-	-
-	-	-	-	1000-U35	-	-
-	-	-	-	1000-U36	-	-
-	-	-	-	1000-U37	-	-
-	-	-	-	1000-U38	-	-
-	-	-	-	1000-U39	-	-
-	-	-	-	1000-U40	-	-
-	-	-	-	1000-U41	-	-
-	-	-	-	1000-U42	-	-
-	-	-	-	1000-U43	-	-
-	-	-	-	1000-U44	-	-

① only for light doors and flaps

**Note:**  
The H-dimension of the cam increases by 4 mm when using the ramp (see page 1C-170)

The H-dimension will be reduced by 2 mm when used with the finger pull (see page 1C-320)

**Further parts see page**

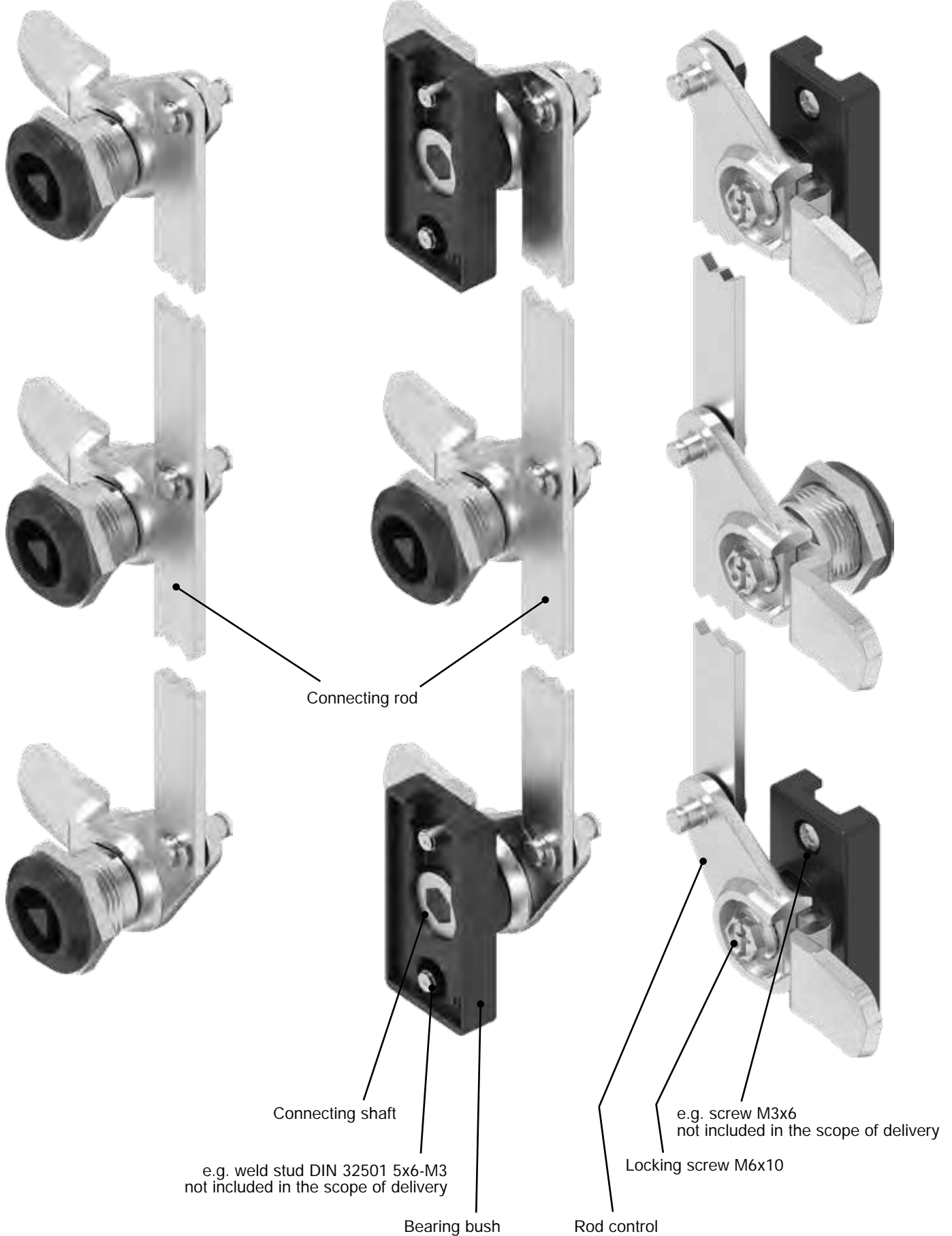
- Ramp 1C-170
- Rod 1C-620
- Quarter turn 1B-120
- 1B-140
- for quick mounting 1B-180
- 1B-220
- 1B-230
- 1B-320
- to 1B-335
- 1B-360
- to 1B-760
- 1B-835
- to 1B-860
- 1C-170
- Inside handle
- Swinghandle 1152 with compression 3C-540
- Swinghandle 3N-120

# Rod control for multiple interlocking

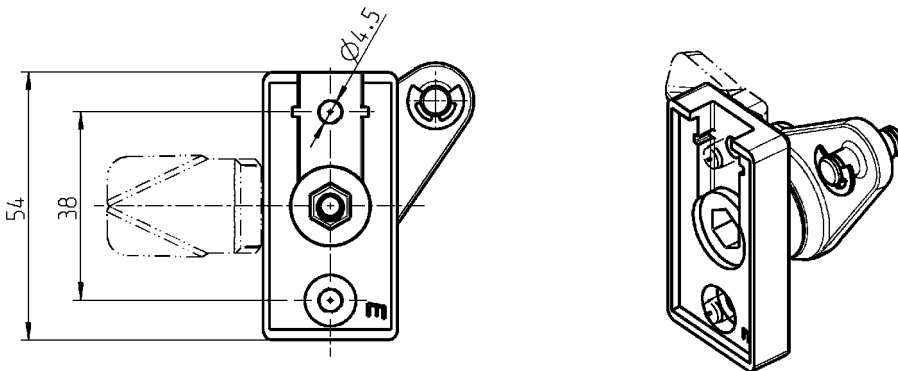
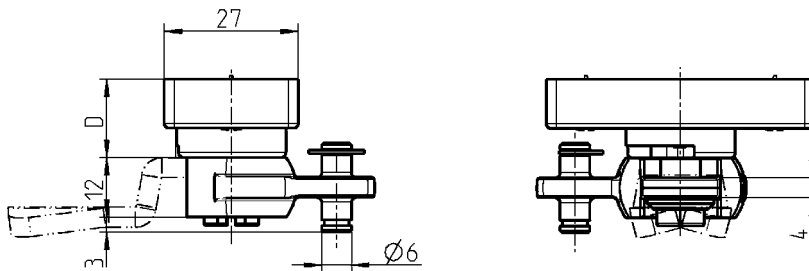
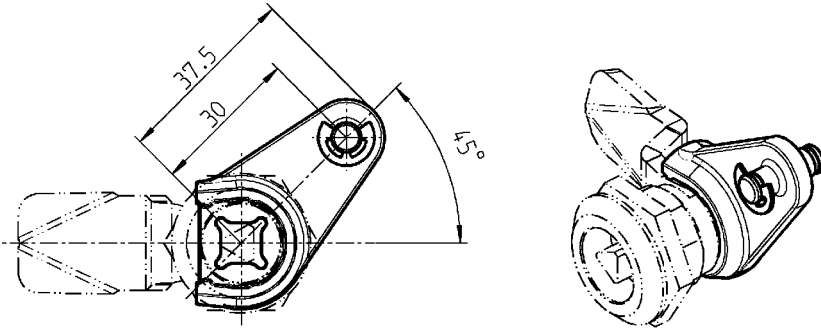
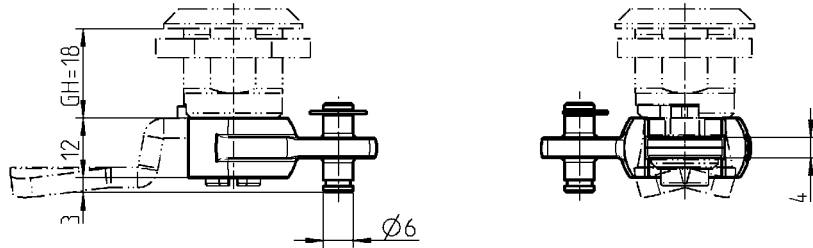
## PROGRAM 1000

Example with three quarter turns

Example with one quarter turn and two bearing bushes







**Rod control zinc die, zinc-plated or AISI 316; circlip m.s. zinc plated or stainless steel**

Zinc die zinc-plated	1000-U874
AISI 316	1000-U874-VA

**Bearing bush polyamide GF black**

for Ts	Dim. D	with stopper left	with stopper right
1.5	16.5	1125-83-015	1125-84-015
2.0	16.0	1125-83-020	1125-84-020

**Connecting shaft zinc-die**

	1000-556-KA
--	-------------

**Locking screw M6x10 for connecting shaft m.s. zinc-plated**

	1000-277-01JB
--	---------------

**Connecting rod m.s. zinc-plated**

Length, number of bore holes and spacing according to customer specifications	on request
---	------------

**Note:**

When using the rod control for multi-point locking, the screw-in depth of the screw is reduced by 4 mm

**Further parts see page**

- Cam (version 1)	1C-120
- Quarter turn	1B-120
(only for GH = 18)	1B-140
	1B-330
	1B-332
(only 1x lockable)	1B-520
(only 1x lockable)	1B-540
(only 1x lockable)	1B-560
(only 1x lockable)	1B-580
(bottom)	1B-720
(not with bearing bush)	1B-820
(bottom only 1x)	1B-840
(only 1x)	1B-850
(bottom)	1B-860

Info

1 Quarter turns



2 Rod controls

3 Locking systems

4 Hinges

5 Seals

6 Handles

7 Aluminium windows

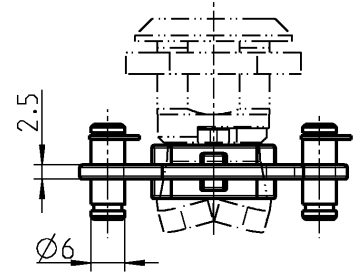
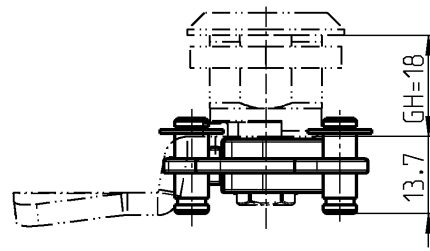
8 Miscellaneous

9 Special catalogues

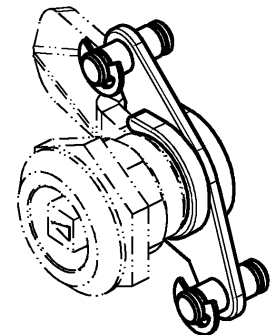
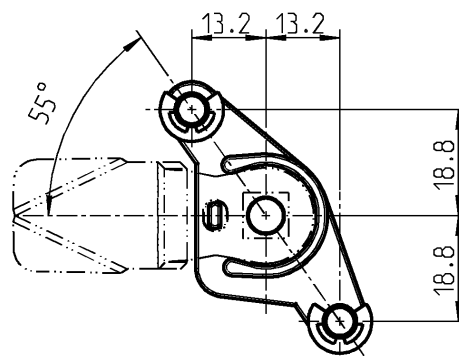
Index



Only cams with stopper made of steel and stainless steel can be used.



Stroke 32 mm



**Attention:**

Only cams with stopper made of steel and stainless steel can be used.

**Note:**

When using the rod control for cam, the screw-in depth of the screw is reduced by 2.5 mm

**Further parts see page**

- Cam (version 1) 1C-120
- Ramp 1C-170
- Quarter turn 1B-120
- 1B-140
- 1B-320
- 1B-335
- 1B-360
- 1B-520
- to 1B-690
- (bottom) 1B-720
- 1B-820
- 1B-840
- 1B-850
- 1B-860
- Rod 3ZB-420

Attention: The rod length is reduced by 5.8 mm, as the stroke is 32 mm

Rod control in open position



Rod control zinc die zinc-plated, circlip m.s. zinc-plated

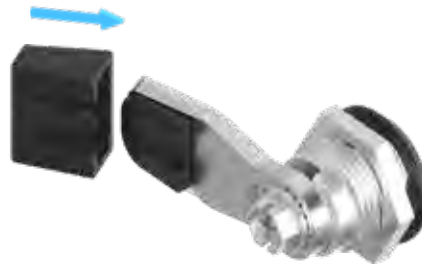
1150-U63

For cams made of steel and stainless steel

1.



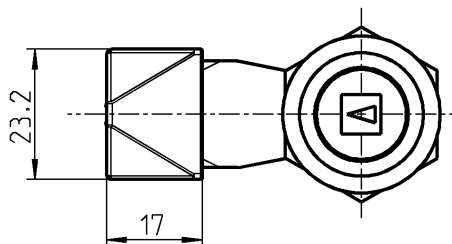
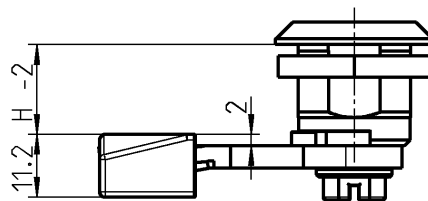
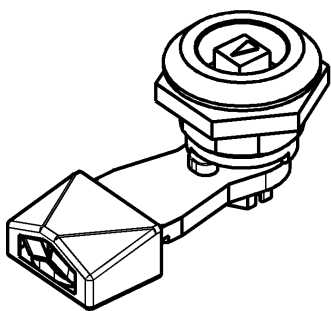
2.



3.



4.



1 Quarter turns

2 Rod controls

3 Locking systems

4 Hinges

5 Seals

6 Handles

7 Aluminium windows

8 Miscellaneous

9 Special catalogues

Index

Slide shoe POM black

1000-U892

**Note:**

For cams made of steel and stainless steel

If the guiding shoe for the cam is used, the H-dimension is reduced by 2 mm

Further parts see page  
– Cam (version 1)

1C-120

Info

1 Quarter turns



2 Rod controls

3 Locking systems

4 Hinges



straight cam

5 Seals



cranked cam

6 Handles

7 Aluminium windows

8 Miscellaneous

**Note:**  
Cranked cam can be used positively and negatively

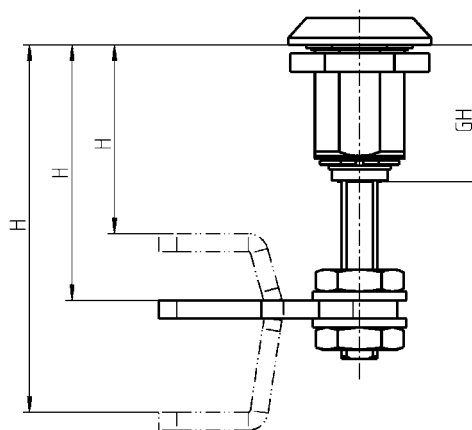
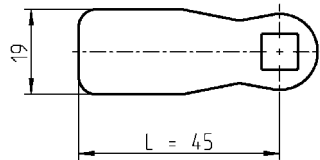
**Further parts see page**

- Compression latch with insert 1B-222
- Compression latch with handle 1B-232
- Chest handle with compression function 8A-135

9 Special catalogues

Index

t = 4

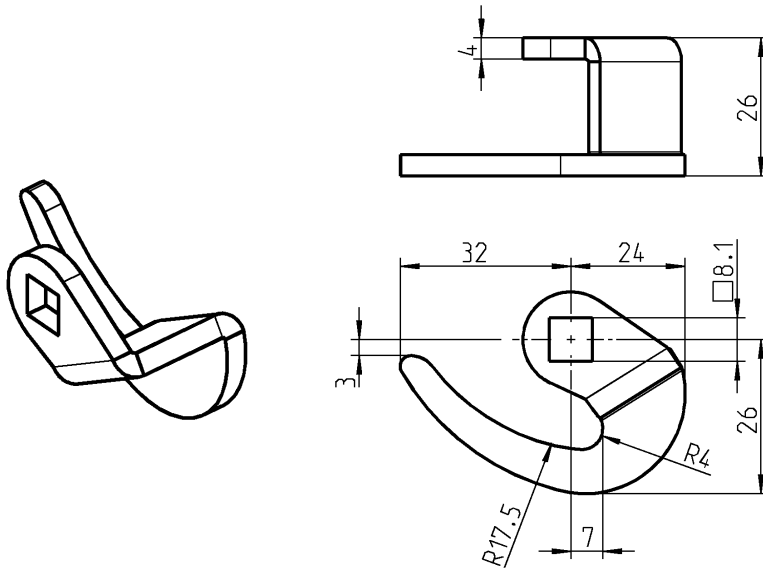


#### Cam m.s. zinc-plated

for GH = 31 mm	H	GH = 31
straight	38 - 58	1000-476
Offset 14 mm	24 - 44 ; 52 - 72	1000-478
Offset 26 mm	12 - 32 ; 64 - 84	1000-477
for GH = 45 mm	H	GH = 45
straight	52 - 72	1000-476
Offset 14 mm	38 - 58 ; 66 - 86	1000-478
Offset 26 mm	26 - 46 ; 78 - 98	1000-477
for GH = 64 mm	H	GH = 64
straight	71 - 91	1000-476
Offset 14 mm	57 - 77 ; 85 - 105	1000-478
Offset 26 mm	45 - 65 ; 97 - 117	1000-477

# Cam

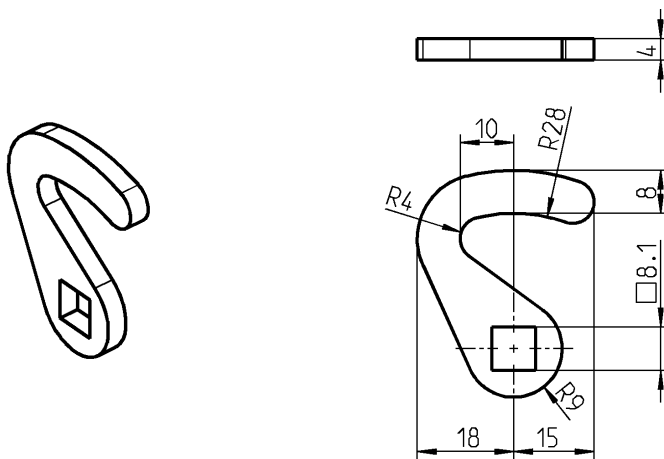
## PROGRAM 1000



Hooked cam for desk lid, LH version

m.s. zinc-plated

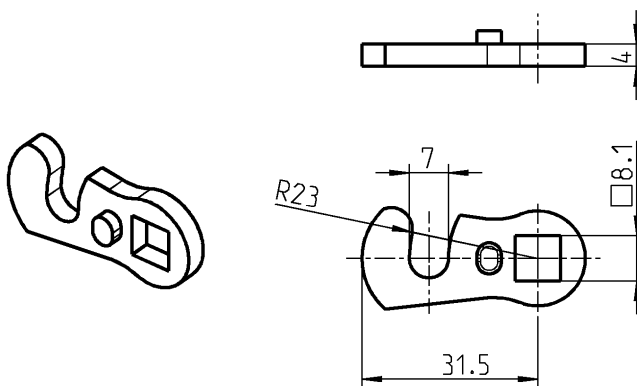
1000-91



Hooked cam, RH and LH version

m.s. zinc-plated

1000-93



Hooked cam, LH version

m.s. zinc-plated

1000-61



Further parts see page

– Quarter turn

1B-120

1B-140

1B-320

to 1B-335

1B-360

to 1B-760

1B-835

up tp 1B-860

3N-120

– Swinghandle



**Attention:**

Attention: When using the ramp, the H dim. of the cam increases by 4 mm as well as the A dim. by 4 mm of the cam on catalogue page 3YA-820.

**Further parts see page**

- Cam
  - 1C-120
  - 1C-130
  - 1C-140
  - 3YA-820
  - 3YA-840
  - 3YB-420
  - 3YB-440
  - 3YC-120
  - 3YC-140

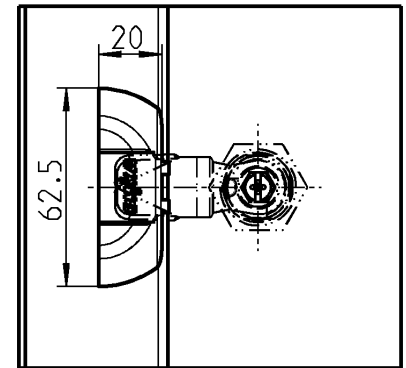
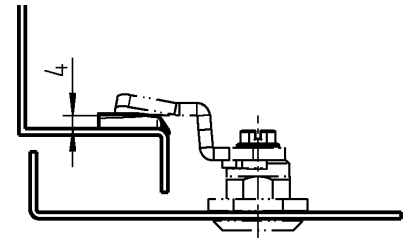
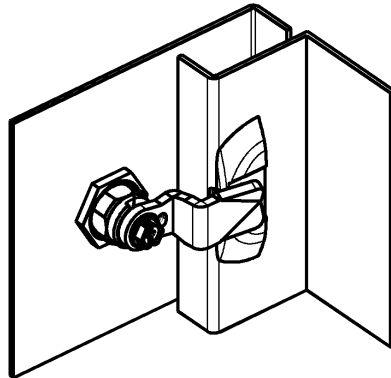


**Further parts see page**

- Cam
  - 1C-120
  - 1C-130
- Quarter turn
  - 1B-120
  - 1B-140
  - 1B-360
  - (non locking) 1B-520
  - to (non locking) 1B-580
  - 1B-720
  - 1B-835
  - 1B-860



Installation example: door and frame shown from the inside

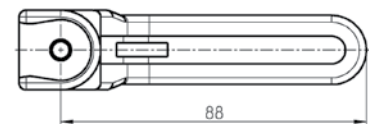
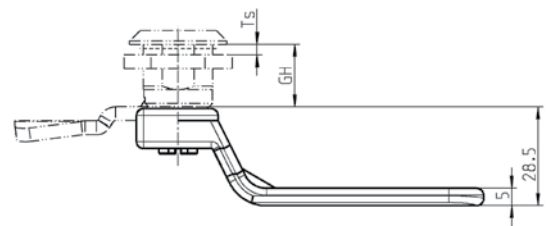
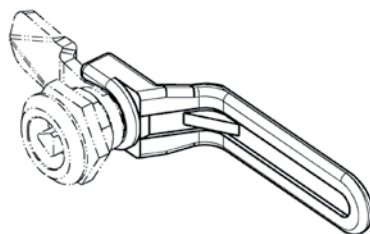


**Product benefits**

- The ramp increases the compression by 4 mm
- Good positioning of the cam by small recess in the ramp
- Prevents scratching of the frame

**Ramp polyamide black, self-adhesive or rivetable**

self-adhesive	1000-U858
rivetable with bore hole Ø4.1	1000-510-01AA



**Internal handle polyamide red, screw m.s. zinc-plated,  
(cannot be used for lockable quarter turns and compression latches)**

GH	Ts 1.5-	M6	
18	8	16	1000-U681
30	20	25	1000-U682
36	26	30	1000-U683
40	30	40	1000-U684
50	40	50	1000-U685
60	50	55	1000-U686

# Hook lever lock, Slam cam

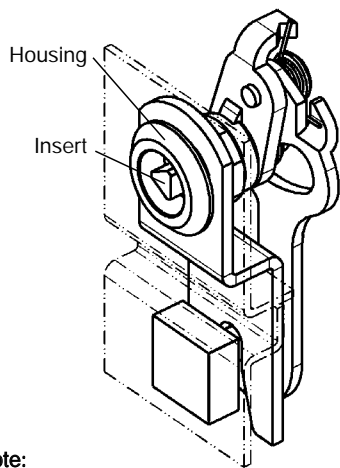
## PROGRAM 1000

Hook lever lock

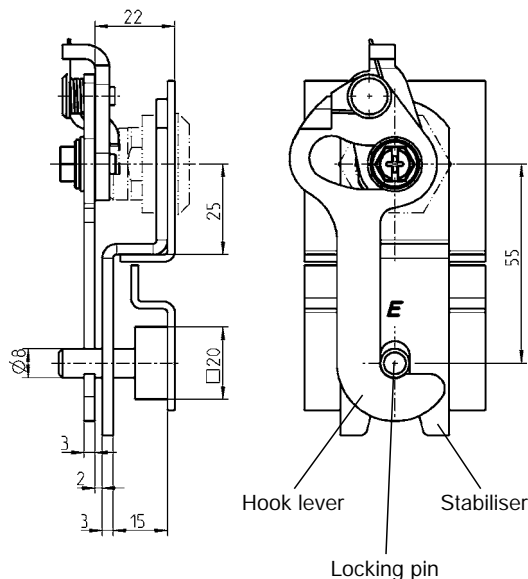
with 90° turn, rotation and pulling movement to the cam

Note: Drawings and dimensions relate to quarter turns with GH = 18.

Hook stroke 5 mm



**Note:**  
When using quarter turns with GH-dimension >18, the length of the screw has to be checked.



Further parts see page  
– Quarter turn

1B-120  
1B-140  
1B-335  
1B-520  
to 1B-720  
1B-835  
up to 1B-860

### Hook lever lock m.s. zinc-plated consistent of:

Hook lever	1000-U12
Locking pin	1000-49
Stabiliser	1000-48



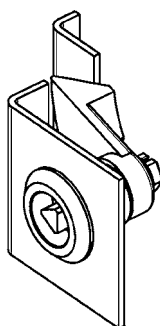
Slam cam

**Note:**  
Slam cam is designed for quarter turn with GH = 18.  
Other GH-dimensions on request.

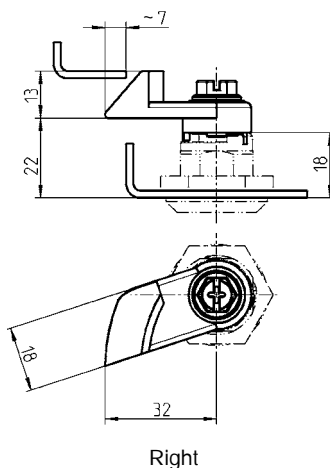
The spring washer delivered with the insert has to be replaced by the enclosed spacer ring.

With the following slam cams IP 54 up to IP 69K is not possible!

Part no.:  
1000-U235-N  
1000-U235-NPH  
1000-U236-N  
1000-U236-NPH



Spring-loaded with slam effect



### Slam cam zinc die chrome-plated, spacer, screw m.s. zinc-plated

for quarter turn see catalogue page

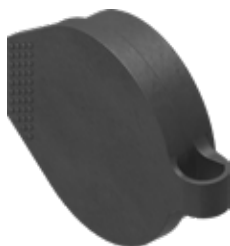
	Right	Left
1B-120, 1B-140, 1B-360, 1B-830, 1B-835, 1B-860	1000-U235-N	1000-U236-N
1B-420 to 1B-680	1000-U315-N	1000-U316-N

### Slam cam AISI 316, spacer, screw stainless steel

1B-120, 1B-140, 1B-360, 1B-830, 1B-835, 1B-860	1000-U235-NPH	1000-U236-NPH
--	---------------	---------------


**Attention:**

The H-dimension will be reduced by 2 mm with the finger pull installed.

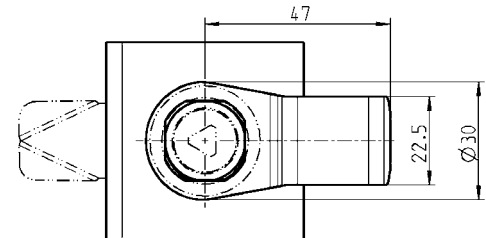
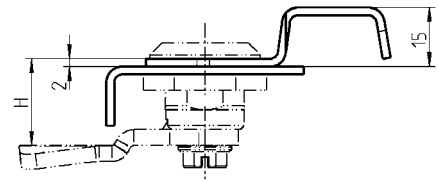
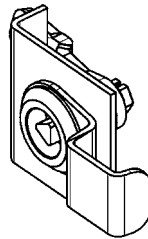

**Attention:**

The H-dimension will be reduced by 2 mm when using this dust cap.

Further parts see page  
– Quarter turn

1B-120  
to 1B-222  
1B-235  
to 1B-335  
1B-360  
1B-420  
1B-840  
1B-860

## ® Finger pull, Dust cap PROGRAM 1000

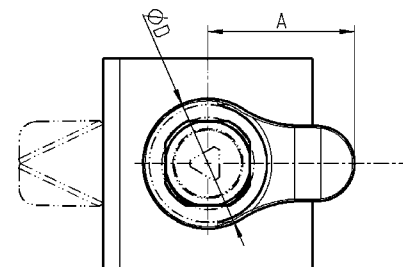
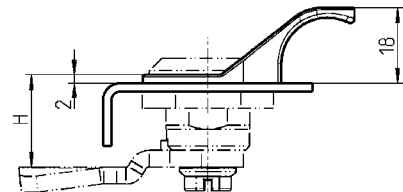
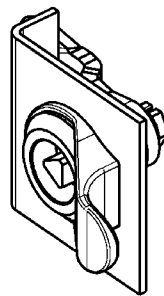

**Finger pull m.s. black powder-coated**

1000-359

**IP 65 achieved by:**

Flat seal

1000-23


**Finger pull polyamide GF black**

for housing with head diameter Ø 28

; D = 31, A = 35

1000-358

for housing with head diameter Ø 30 and 32

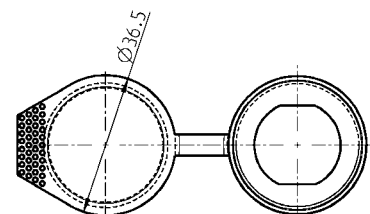
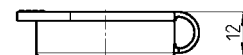
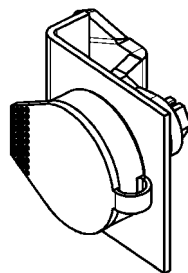
; D = 35, A = 36

1000-358-01

**IP 65 achieved by:**

Flat seal

1000-23


**Dust cap polyethylene black**

1000-97-01

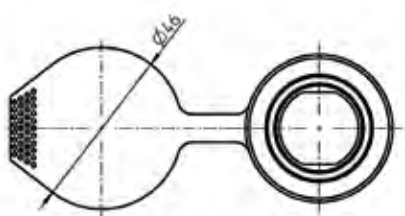
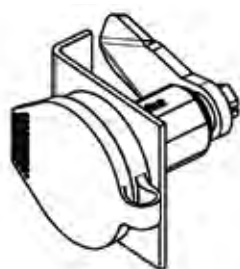
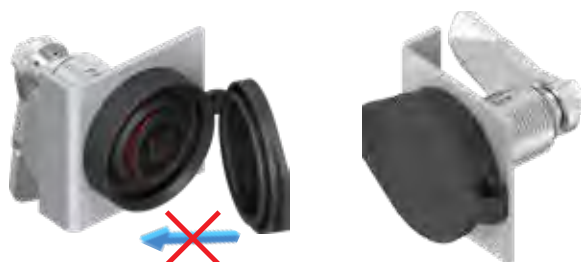


# Dust cap for high-speed trains, Dust cap for T-handle

## PROGRAM 1000

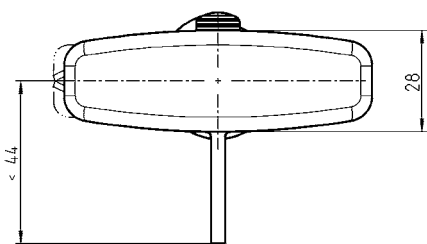
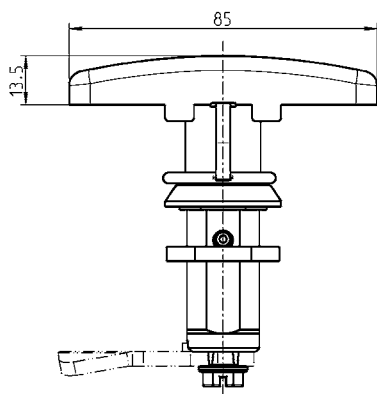
When combined use of dust cap and compression latch with optical open indicator (catalogue page 1B-237) an additional safety aspect is achieved.

In addition to the clearly visible red ring, the dust cap cannot be closed and is thus open.



Dust cap TPE, UV resistant, black

1000-97-02



### Also suitable for:

- Program 1000

(see catalogue page 1B-560)

- Program 1102

(see catalogue page 2A-140)

- Program 1005

(see catalogue page 2B-160)

- Program 1125

(see catalogue page 3B-180)

- Program 1225

(see catalogue page 3G-180)

- Program 2100

(see catalogue page 3H-220)

T-handle cap polypropylene black

1000-460



### Note

The dust cap was successfully tested by the Technical University of Dresden with respect to high-speed resistant class up to 450 km/h.

### Attention:

The H-dimension will be reduced by 2 mm when using this dust cap.

Further parts see page  
- Quarter turn

1B-120  
to 1B-222  
1B-235  
to 1B-335  
1B-360  
1B-420  
1B-840  
1B-860



Info

1 Quarter turns



2 Rod controls

3 Locking systems



4 Hinges

Further parts see page  
– Quarter turn

1B-120  
1B-140  
1B-330  
to 1B-335  
1B-520  
to 1B-680  
1B-835  
up to 1B-860

5 Seals

6 Handles



7 Aluminium windows

8 Miscellaneous

**Note:**  
The H-dimension will be reduced by 2 mm when anti-rotation device is on the outside.  
Ts-dimension will be reduced by 2 mm when used from the inside.

Further parts see page  
– Quarter turn

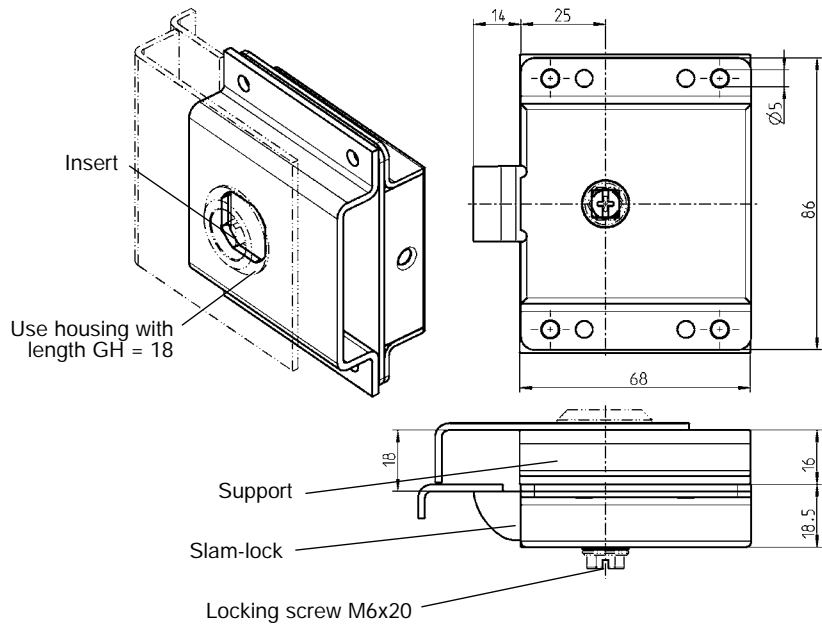
1B-120  
1B-140  
1B-220  
up to 1B-335  
1B-360  
to 1B-720  
1B-835  
up to 1B-860

9 Special catalogues

Index

**1C-360** 07/14

(1C-160, 1C-162, 1C-340)



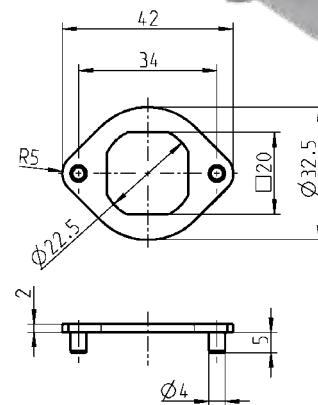
**Slam latch m.s. zinc-plated., zinc die raw and spring steel  
Support and vibration proof screw m.s. zinc-plated**

Slam-lock	1034-U1
Support	1034-03
Locking screw M6x20	1000-277-04JB

Front mounted anti-rotation device,  
under the housing



Back mounted anti-rotation device,  
under the nut

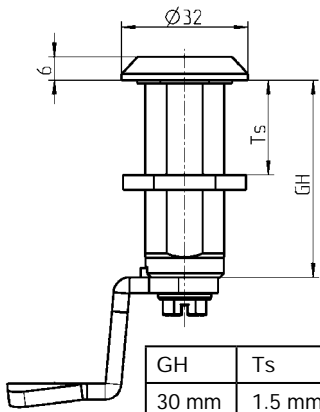


**Anti-rotation device zinc die, surface of choice**

black powder-coated	1000-456-AA
zinc-plated	1000-456-JB

# Dish

## PROGRAM 1000



GH	Ts
30 mm	1.5 mm to 20 mm
36 mm	1.5 mm to 26 mm
40 mm	1.5 mm to 30 mm
50 mm	1.5 mm to 40 mm
60 mm	1.5 mm to 50 mm



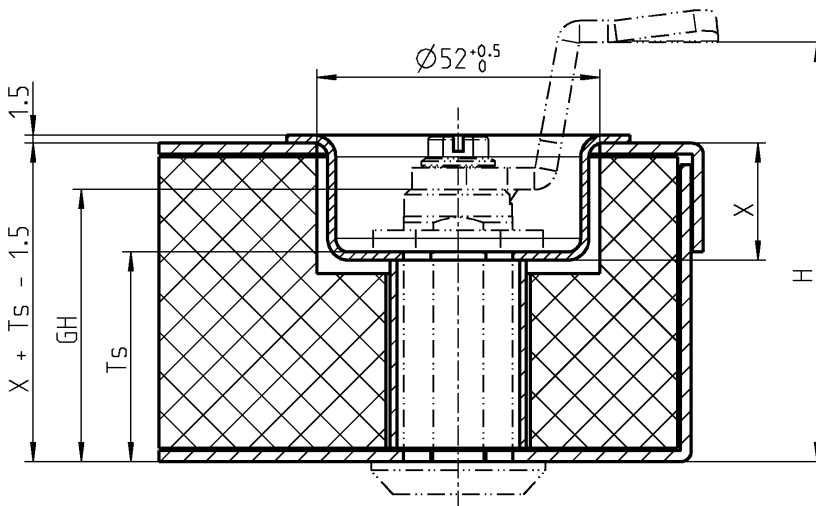
1 Quarter turns

2 Rod controls



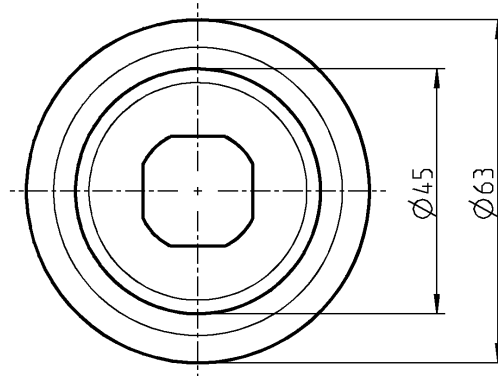
3 Locking systems

4 Hinges



5 Seals

6 Handles



Dish to decrease the max. door thickness in conjunction with quarter turns for insulated doors or to align cut outs for quarter turns.

7 Aluminium windows

8 Miscellaneous

9 Special catalogues

Dish m.s. zinc-plated

Dimension X

10.5 mm	1000-264
17.5 mm	1000-265
21.5 mm	1000-266

Further parts see page  
– Quarter turn

1B-120  
1B-140  
1B-220  
to 1B-235  
1B-320  
up to 1B-335  
1B-360  
to 1B-720  
1B-835  
up to 1B-860

## Rod

## PROGRAM UNIVERSAL

Minimum order quantity: 200 pieces  
Smaller quantities on request

Round rod  
In fixed lengths

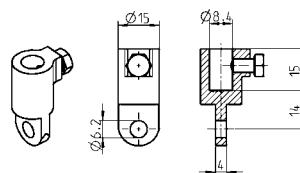
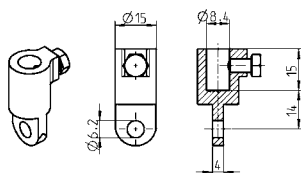
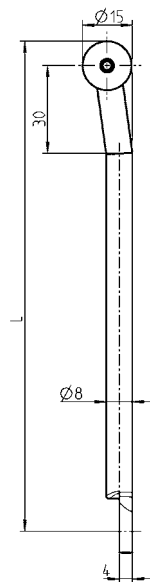
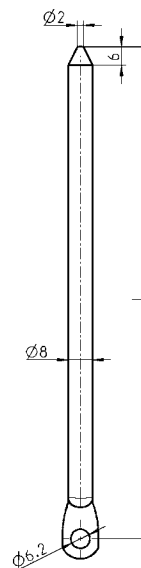
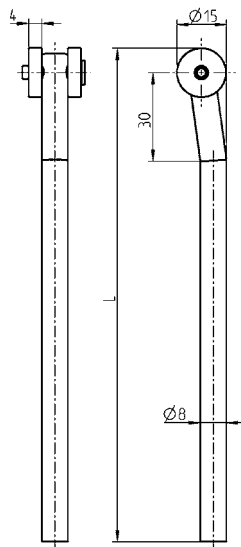
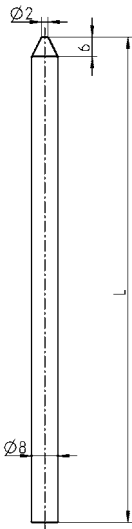
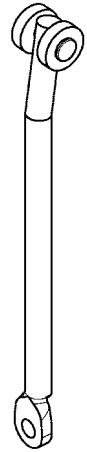
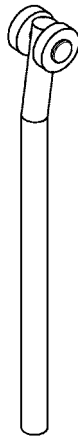
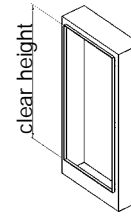
## Program 1000

Calculation of rod length L  
when pivot point is central

with adapter	$\frac{\text{clear height} - 40}{2}$
with eye	$\frac{\text{clear height} - 12}{2}$

$L \leq 1200$

Order example: Order no. for a round rod with rollers and a length of 1034 mm  
= 1049-18-L 1034



with eye m.s. zinc pl.  
and rollers  
polyamide black

(not suitable for rod control program  
1121 and 2121)

1000-U144-L mm

(1000-U144-01 to -17  
see price list)

with pointed end  
m.s. zinc plated

1049-19-L mm

(1049-19-01 to -17  
see price list)

Adapter

zinc die,  
m.s. z.pl.

AISI  
303

1000-U49

1000-U141

m.s. zinc pl., with rollers  
polyamide black

1049-U18-L mm

(1049-U18-01 to -17  
see price list)

Adapter

zinc die,  
m.s. z.pl.

AISI  
303

1000-U49

1000-U141

with eye and pointed end,  
m.s. zinc plated

1000-211-L mm

(1000-211-01 to -17  
see price list)

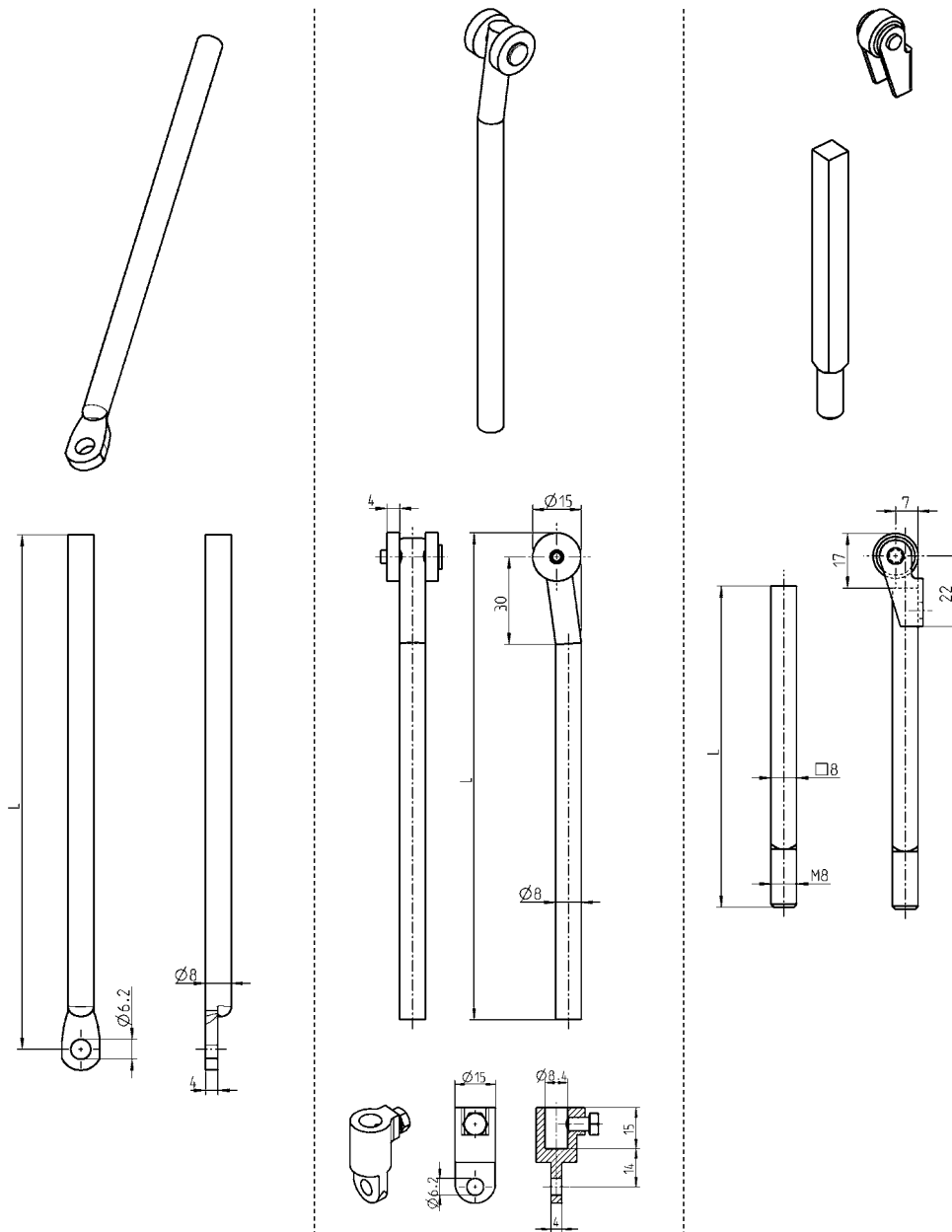
with eye AISI 304  
and rollers  
polyamide black

(not suitable for rod control program  
1121 and 2121)

1000-U538-L mm

(1000-U538-01 to -09  
see price list)

### Round rods and square rods in available lengths



Round rod with eye  
m.s. zinc-plated

L in mm	
400	1000-33
500	1000-34
600	1000-35
700	1000-36
800	1000-37
900	1000-38
1000	1000-39
1100	1000-114
1200	1000-115

Round rod m.s. zinc-plated or  
AISI 304 with rollers  
polyamide black

L in mm	m.s. z.pl.	AISI 304
600	1049-U3	1049-U12
700	1049-U4	1049-U13
800	1049-U5	1049-U14
900	1049-U6	1049-U15
1000	1049-U7	1049-U16
1100	1049-U8	1049-U17
1200	1049-U9	-
<b>Adapter</b>	<b>zinc die, m.s. z.pl.</b>	<b>AISI 303</b>
	1000-U49	1000-U141

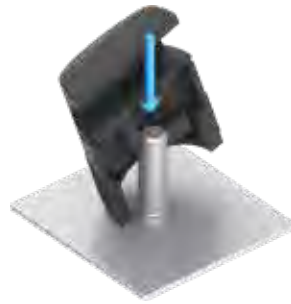
Square rod m.s. zinc-plated  
suitable for catalogue page  
2B-120

L in mm	
600	1001-11
700	1001-12
800	1001-13
900	1001-14
1000	1001-15
1100	1001-16
1200	1001-17
	<b>Roller unit m.s. zinc-pl., roller polyamide white</b>
-	1019-U1

Further parts see page

- Cam 1C-120  
1C-160
- Rod control 2A-120  
2B-120
- Rod guide to 2B-140  
1C-630  
1C-640

Info  
1 Quarter turns  
2 Rod controls  
3 Locking systems  
4 Hinges  
5 Seals  
6 Handles  
7 Aluminium windows  
8 Miscellaneous  
9 Special catalogues  
Index



1. Place the rod guide on the weld stud.  
(Hereby the time-consuming screwing is reduced considerably.)



2. Set the rod guide upright. This makes it snap in place noticeably and audibly; and it can then be secured by only a few rotations.

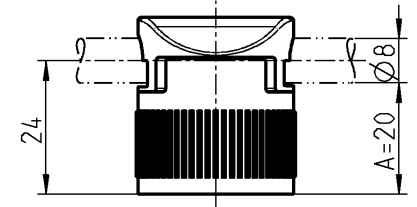
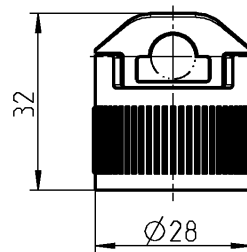
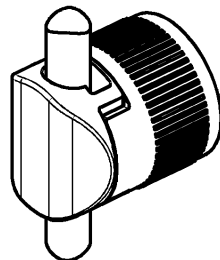


3. Rod guide is completely mounted.

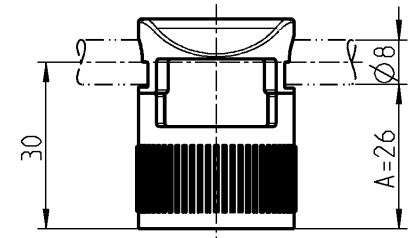
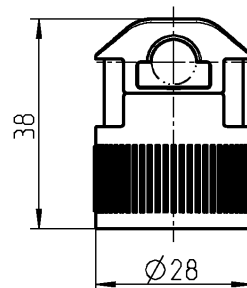
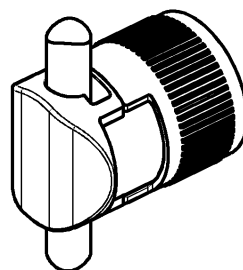


#### + ADVANTAGE

This rod guide is suitable for raw and powder coated weld studs. The covering of the weld stud before powdering can be omitted, this results in process optimization and cost saving.



Note:  
Rod guide suitable for  
dimensions of A=20 and A=26



Further parts see page  
– Rod 1C-620

#### Rod guide polyamide GF black

A for weld stud

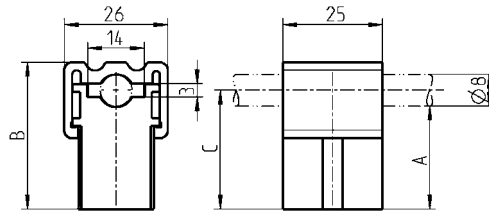
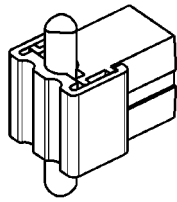
20 M6x16

26 M6x20

1001-U47

# Rod guide for round rods 8 mm

## PROGRAM UNIVERSAL



1 Quarter turns

2 Rod controls

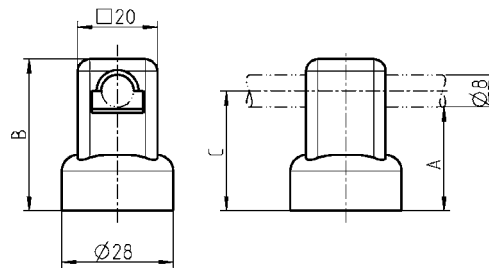
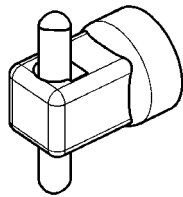


3 Locking systems

### Rod guide polyamide black

A	B	C	for weld stud	
20	31	24	M6x12 - 20	1001-U40
26	37	30	M6x12 - 20	1001-U41

For round and horizontal flat rod



4 Hinges

5 Seals

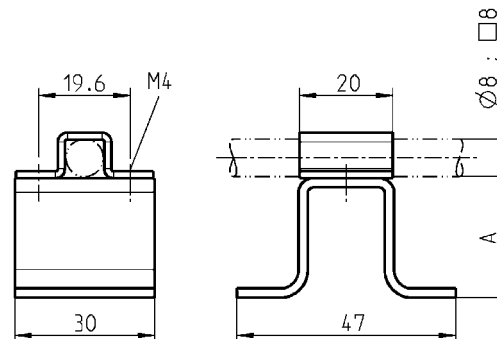
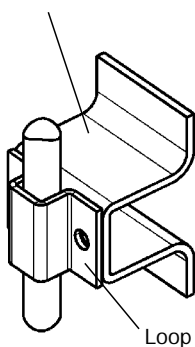


For round rod

### Rod guide polyamide black with sunken nut m.s. zinc-plated

A	B	C	for weld stud	
20	32	24	M6x16	1001-U11
26	38	30	M6x20	1001-U12

Rod support



6 Handles

7 Aluminium windows



For round rod and square rod

### Loop m.s. zinc-plated

				1001-22
--	--	--	--	---------

### Rod support m.s. raw

A = 20				1001-20
A = 26				1001-21

Further parts see page  
– Rod

1C-620

8 Miscellaneous

9 Special catalogues





# Quarter turns Program 1500



- |   |  |        |
|---|--|--------|
| 1 | Quarter turn with insert cam clip fix            | 1D-140 |
| 2 | Cylinder quarter turn                            | 1D-240 |
| 3 | Wing knob quarter turn                           | 1D-220 |
| 4 | T-handle quarter turn                            | 1D-220 |
| 5 | L-Handle quarter turn                            | 1D-220 |
| 6 | Compression latch with optical opening indicator | 1D-420 |



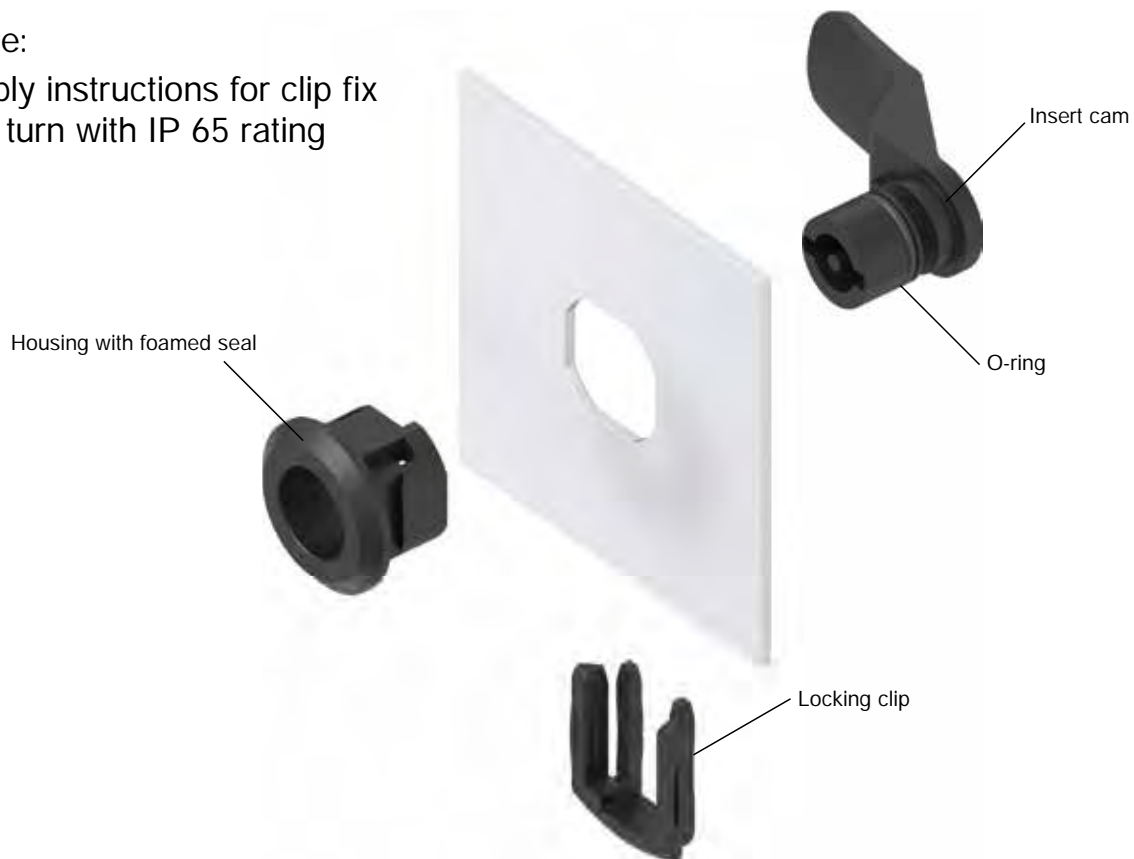
**1D-100**

# Quarter turn, 3-piece, clip fix

## PROGRAM 1500

Example:

Assembly instructions for clip fix quarter turn with IP 65 rating



**Housing polyamide GF colour of choice**

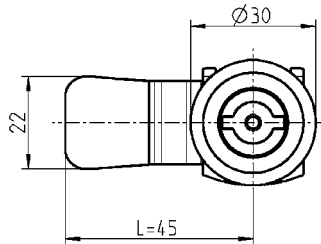
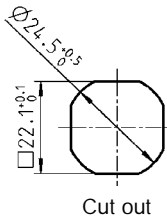
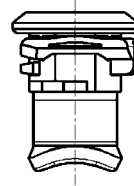
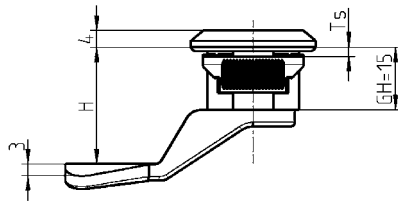
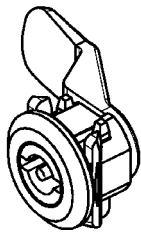
	black	silver
without seal	1500-01	1500-01-HW
with foamed seal (for IP 65)	1500-01-G	1500-01-GHW

**Locking clip polyamide GF colour depends according to thickness**

Ts = 1.0 - 1.5 including surface coating; colour pebble grey	1500-02-10
Ts = 1.5 - 2.0 including surface coating; colour black	1500-02-15
Ts = . . .	

**Insert cam polyamide GF, colour of choice see ordering example; order with O-ring see ordering example (for IP 65)**

	H = 16	H = 18	H = 22	H = 24
	without O-ring	without O-ring	without O-ring	without O-ring
Square 7, black	1500-136-H16	1500-136-H18	1500-136-H22	1500-136-H24
Square 8, black	1500-140-H16	1500-140-H18	1500-140-H22	1500-140-H24
Triangular 7, black	on request	on request	on request	on request
Triangular 8, black	1500-152-H16	1500-152-H18	1500-152-H22	1500-152-H24
Triangular 9, black	on request	on request	on request	on request
Double bit 3, black	1500-156-H16	1500-156-H18	1500-156-H22	1500-156-H24
Double bit 5, black	1500-160-H16	1500-160-H18	1500-160-H22	1500-160-H24
Hexagon female SW 10, black	on request	on request	on request	on request
Square female 7, black	on request	on request	on request	on request
Square female 8, black	on request	on request	on request	on request
Daimler Benz, black	on request	on request	on request	on request
Slot 1.2 x 3, black	on request	on request	on request	on request
Slot 2 x 4, black	1500-177-H16	1500-177-H18	1500-177-H22	1500-177-H24
Slot 2 x 4 coinproof, black	on request	on request	on request	on request



Cut out

### Order example for insert cam silver:

You require a silver insert cam in square 8 mm for the clearance  $H = 18$  mm. Then add to the item no. in the table the letters 'HW' at the end.

e.g.:  
1500-140-H18HW Insert cam polyamide GF, silver,  $H = 18$  mm, square 8 mm

### Order example for insert cam with O-ring:

You require a black insert cam in double bit 3 mm for the clearance  $H = 28$  mm with O-ring. Then add letter 'B' to the item no. from the table the after '1500-'.

e.g.:  
1500-B156-H28 Insert cam polyamide GF, black,  $H = 28$  mm, double bit 3 mm with O-ring



**Attention:**  
IP 65 is achieved by housing with foamed seal and insert cam with O-ring!

**Note:**  
Further insert cams with other inserts or other H- and L-dimensions on request

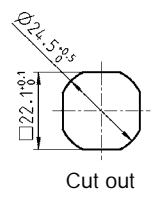
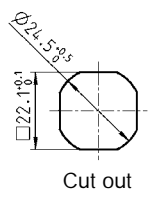
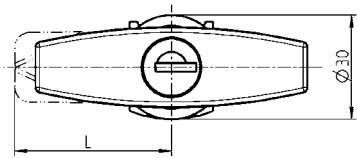
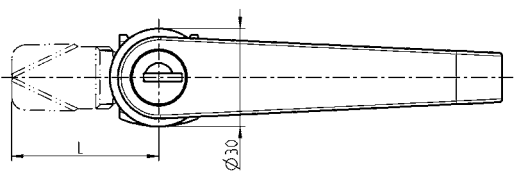
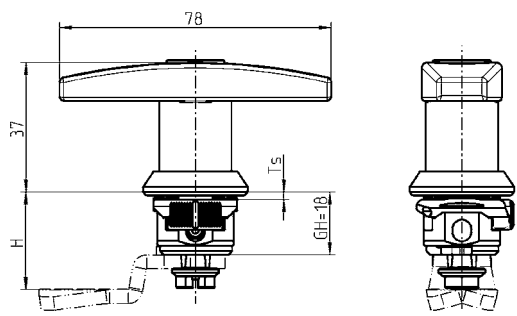
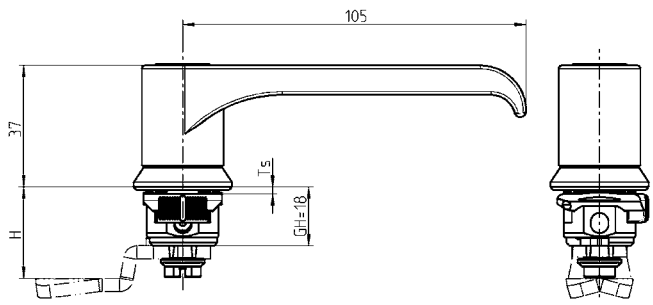
**Further parts see page**  
– Key 8B-120

H = 28	H = 30	
without O-ring	without O-ring	
1500-136-H28	1500-136-H30	
1500-140-H28	1500-140-H30	
on request	on request	
1500-152-H28	1500-152-H30	
on request	on request	
1500-156-H28	1500-156-H30	
1500-160-H28	1500-160-H30	
on request	on request	
on request	on request	
on request	on request	
on request	on request	
on request	on request	
1500-177-H28	1500-177-H30	
on request	on request	

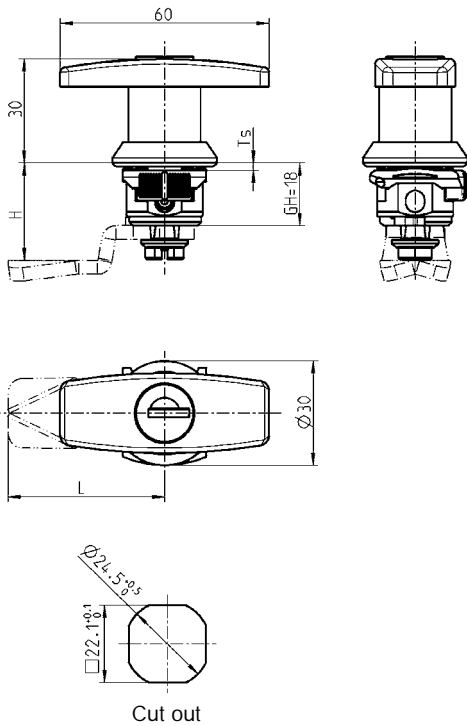
# Handle quarter turn, clip fix PROGRAM 1500

## L-Handle quarter turn, clip fix

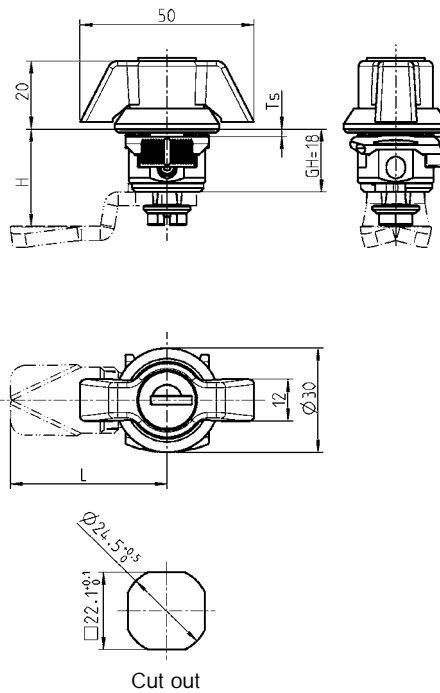
## T-handle quarter turn, clip fix



### T-handle quarter turn, small, clip fix



### Wing knob quarter turn, clip fix



1 Quarter turns

2 Rod controls

3 Locking systems

4 Hinges

5 Seals

6 Handles

7 Aluminium windows

8 Miscellaneous

9 Special catalogues

Index

Handle polyamide GF black / zinc die, housing polyamide GF black, round cylinder zinc die with stainless steel cap and dust cap, screw m.s. zinc-plated, with seal. Each round cylinder has one silver steel key with grip polyamide black. Key removable in both positions.

	non locking	keyed EK 333	keyed different
Wing knob	1500-U343	1500-U345	1500-U347
T-handle small	1500-U775 (IP 40)	1500-U773	1500-U774
T-handle	1500-U546	1500-U548	1500-U550
L-handle	1500-U570	1500-U572	1500-U574

**Locking clip polyamide GF, colour depending on item**

Ts = 1.0 - 1.5 colour pebble grey	1500-05-10
Ts = 1.5 - 2.0 colour black	1500-05-15

Further parts see page  
 – Cam (GH = 18) 1C-120  
 1C-160  
 – Spare key 8B-140



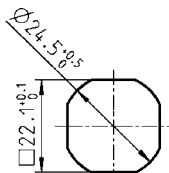
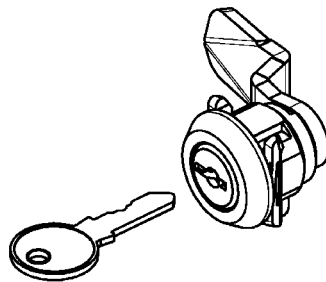
Cam



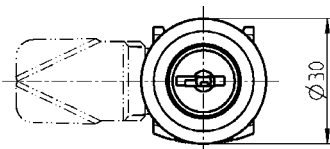
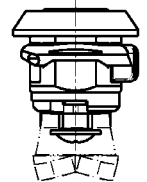
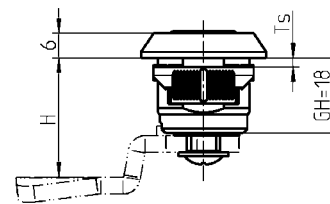
Locking clip



Housing with cylinder



Cut out



Further parts see page

- Cam (GH = 18) 1C-120
- (without rod control) 1C-160
- Spare key 8B-140

Housing and round cylinder polyamide GF black, screw m.s. zinc-plated.  
Each round cylinder has one key of m.s. nickel-plated.  
Key removable in both positions.

keyed EK 333

1500-U18

keyed different

1500-U19

**Locking clip polyamide GF, colour depending on item**

Ts = 1.0 - 1.5 colour pebble grey

1500-05-10

Ts = 1.5 - 2.0 colour black

1500-05-15

# Compression latch with optical opening indicator

## PROGRAM 1500

### Tamper and vibration proof

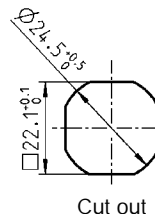
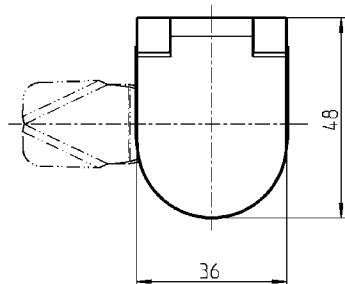
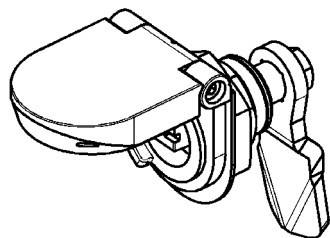
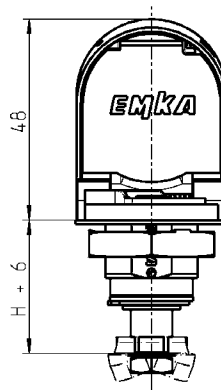
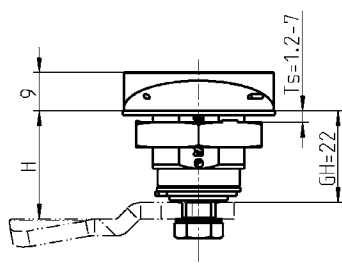
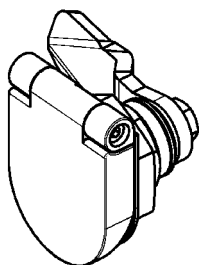
The compression latch is designed to be vibration-proof as such. Depending on the installation location and operational conditions, specific checks are necessary and/or supplementary measures of fastening required.

Tested according to DIN EN 45545-2 E30



#### Product benefits

- Visual opening indicator clearly visible due to 90° open flap when uncompressed
- The red surface on the inside of the cap makes it easier to recognize the open position
- The flap closes automatically when compressed
- Integrated dust cap
- The flat seal cushions the flap and prevents damages to the door
- Standard cut out program 1500
- Patent submitted



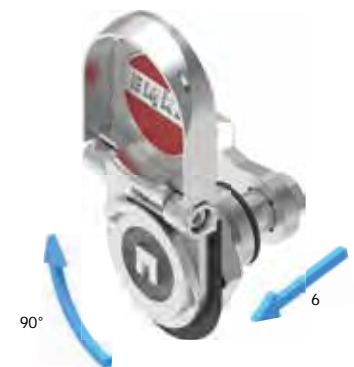
Cut out

Compression latch with visual opening indicator AISI 316;  
nut and earthing nut AISI 316;  
screw and toothed lock washer stainless steel; with spring and seal

	Left-hand version	Right-hand version
Square 8 with marking	1500-U776-LIPH	1500-U776-REPH
Square 8 with marking and cap with red pad printing	1500-U776-01LIPH	1500-U776-01REPH



**Open condition**  
By turning the insert by 90° the cam is turned.



**Closed condition**  
Further rotation of the insert by 90° moves the cam 6 mm in axial direction.



**Compressed condition**

**Open:**  
Reversed motion

**Further parts see page**  
– Cam without catch 1C-120  
– Key 8B-120

# Compression latch PROGRAM 1022

### Tamper and vibration proof

The compression latch is designed to be vibration-proof as such. Depending on the installation location and operational conditions, specific checks are necessary and/or supplementary measures of fastening required.

Info

1 Quarter turns



2 Rod controls



3 Locking systems



4 Hinges

**Open condition**  
By turning the insert by 90° the cam is turned.

5 Seals



6 Handles

**Closed condition**  
The second 90° of rotation of the insert draws the cam toward the door 4 mm axially.

7 Aluminium windows



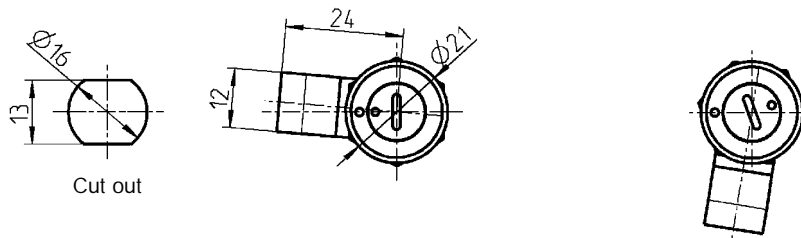
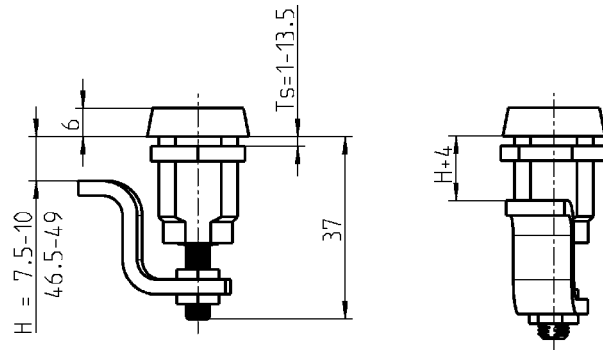
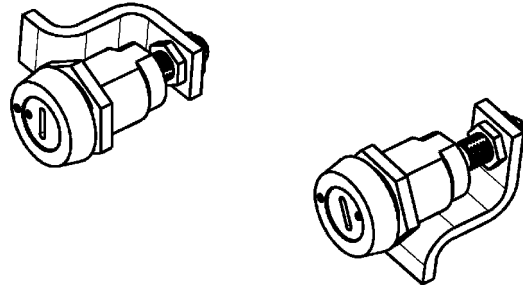
8 Miscellaneous

**Compressed condition**

**Open:**  
Reversed motion

9 Special catalogues

Index



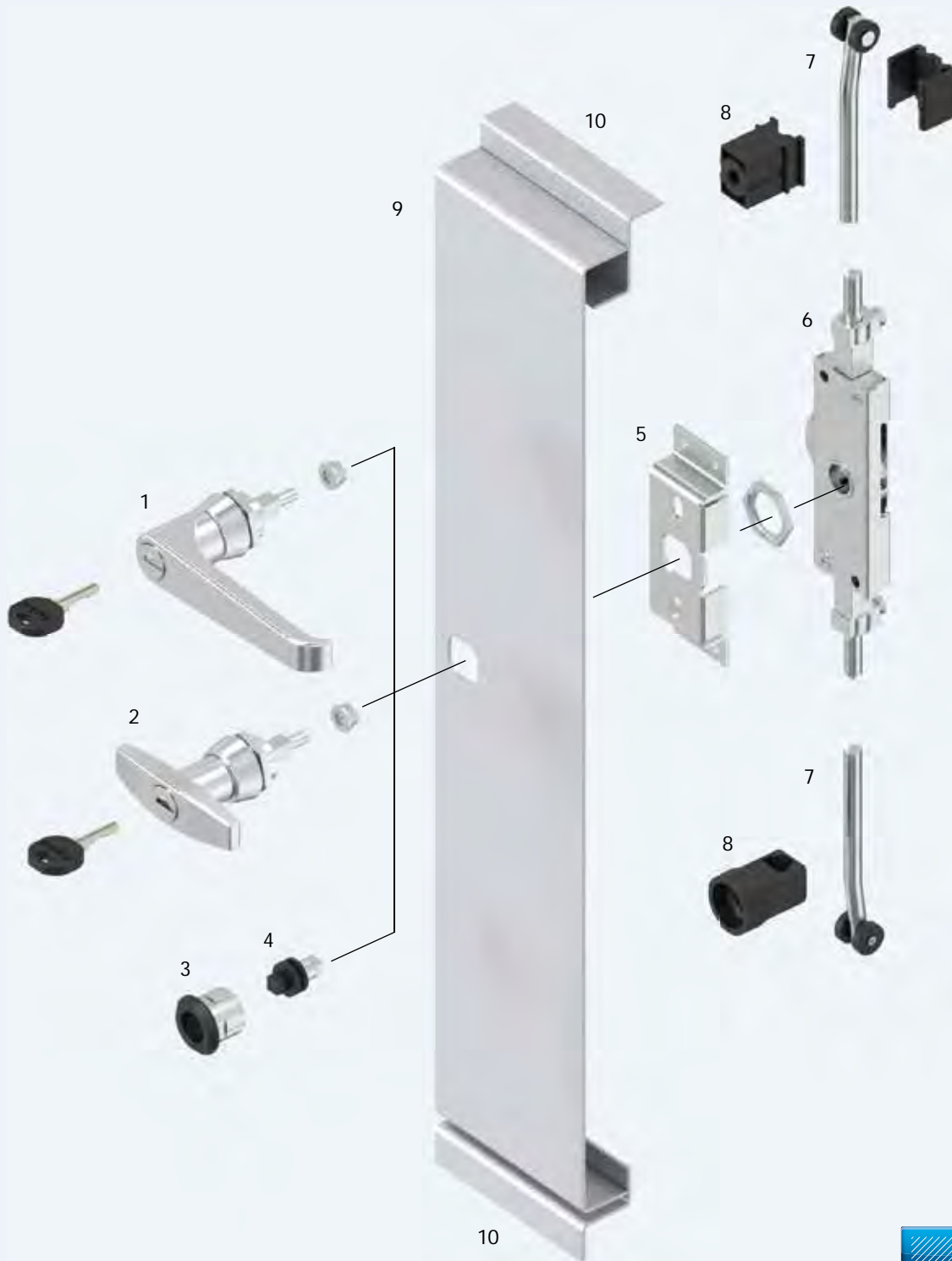
Quarter turn zinc die black powder-coated, nut m.s. zinc-plated

1022-U86

1E-320 03/17



# Rod control for heavy duty screw-on



- |    |                 |        |
|----|-----------------|--------|
| 1  | L-handle        | 2A-140 |
| 2  | T-handle        | 2A-140 |
| 3  | Key guide       | 2A-120 |
| 4  | Insert          | 2A-120 |
| 5  | Support         | 2A-120 |
| 6  | Rod control     | 2A-120 |
| 7  | Rod             |        |
| 8  | Rod guide       |        |
| 9  | Door            |        |
| 10 | Housing / Frame |        |

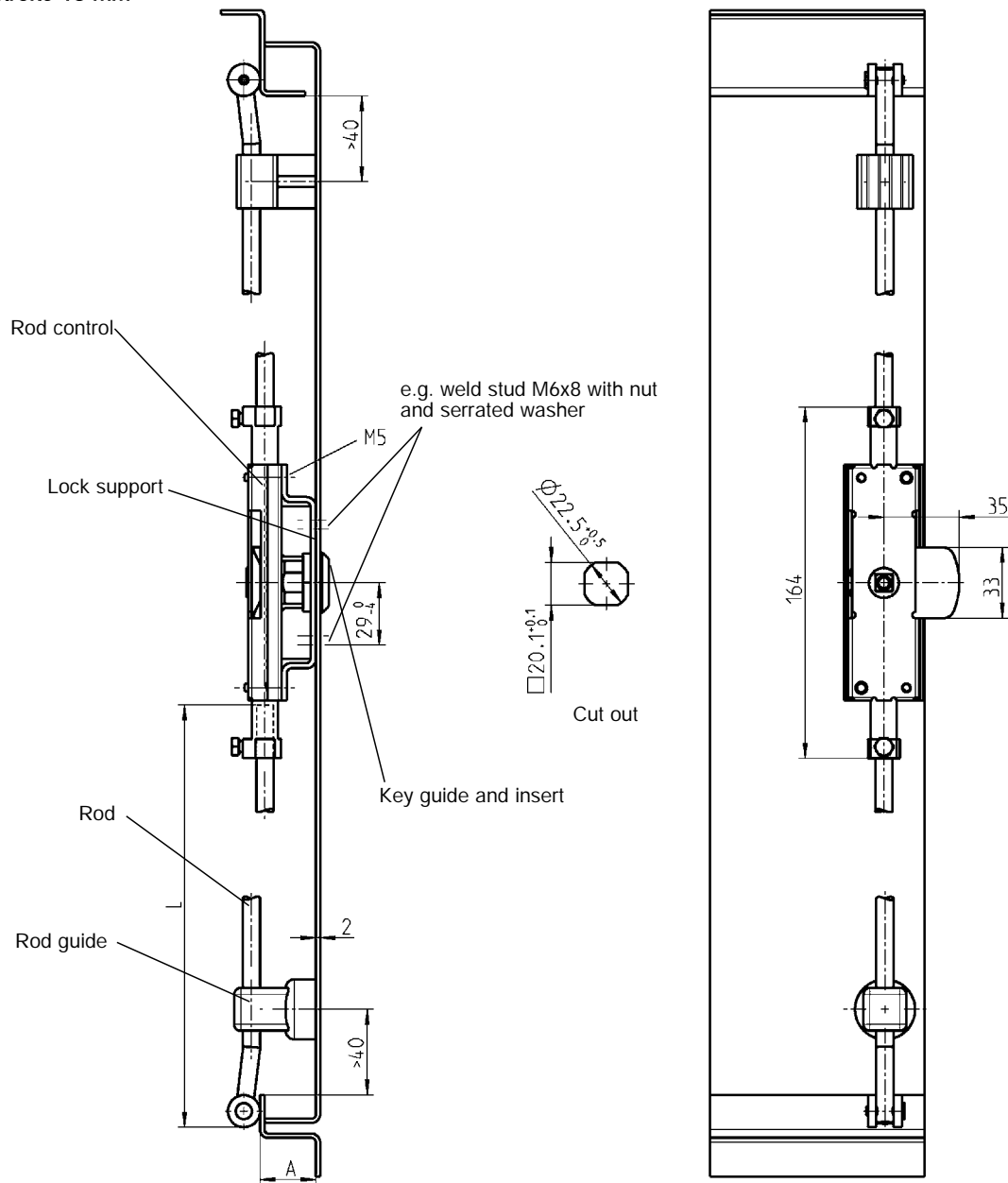


**2A-100**

# Rod control and insert

## PROGRAM SCREW-ON

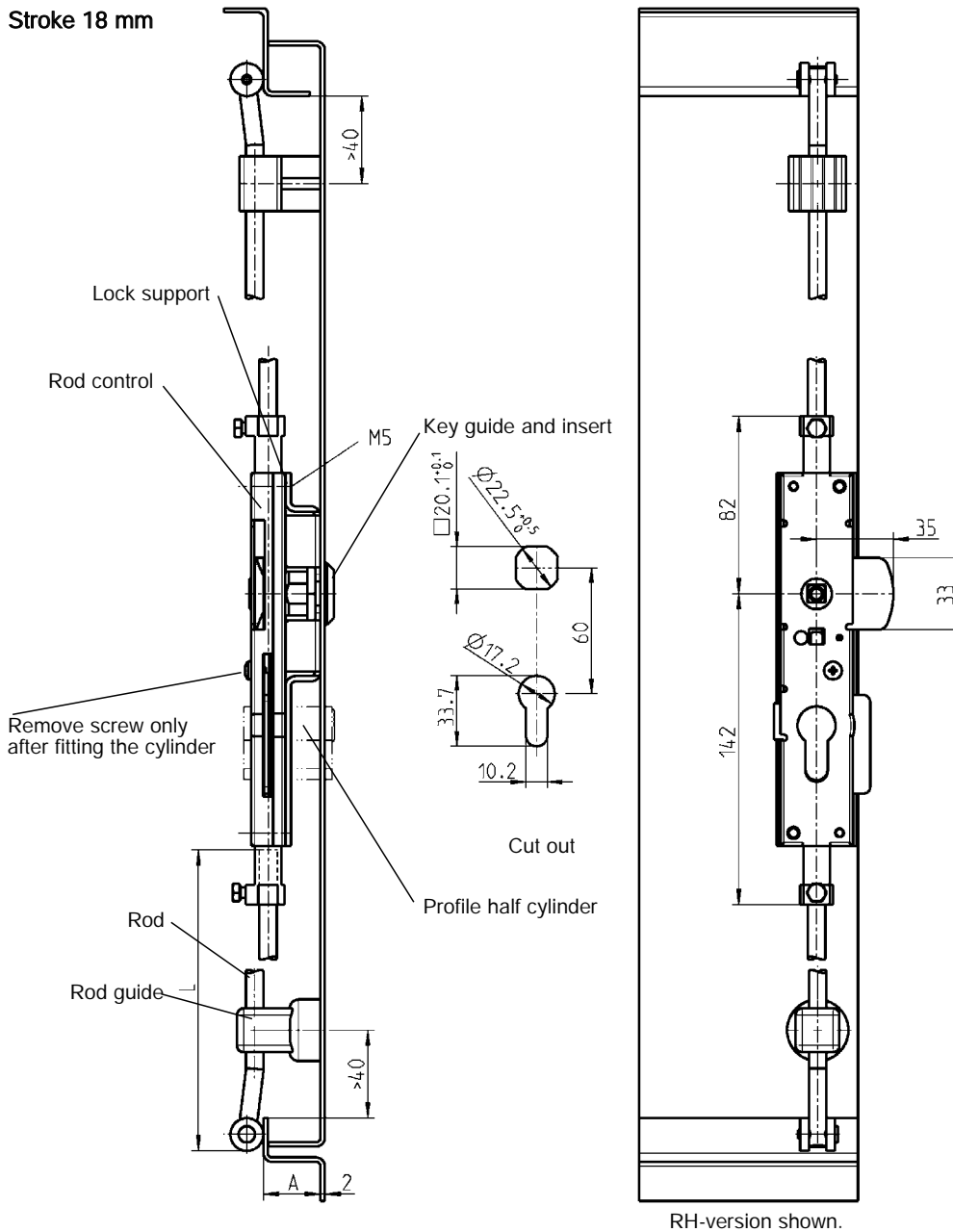
Stroke 13 mm  
or stroke 18 mm



Dimensions of rod controls  
and other versions see  
catalogue pages 2B-120 to -140

Rod control m.s. zinc-plated			Rod control m.s. zinc-plated for profile half cylinder		
	Stroke 13	Stroke 18			Stroke 18
Right	1049-U1	1049-U19	Right	-	1068-U1
Left	1049-U2	1049-U20	Left	-	1068-U2
Support m.s. zinc-plated			Support m.s. zinc-plated		
	A20	A26		A20	A26
Right / Left	1001-47	1001-50	Right	1001-45	1001-48
			Left	1001-46	1001-49

Stroke 18 mm



RH-version shown.



			Insert zinc die chrome-plated	
Key guide zinc die chrome-pl. or black powder-coated with nut m.s. zinc-pl.			Square 6	1000-59
chrome-plated			Square 7	1000-04
	A20	A26	Square 8	1000-05
for square and triangular	1001-U13	1001-U14	Triangular 7	1000-06
for double bit	1001-U15	1001-U16	Triangular 8	1000-07
for Daimler Benz	1001-U17	1001-U18	Double bit 3	1000-08
for FIAT	1001-U32	-	Double bit 5	1000-09
black powder-coated			Daimler Benz	1000-64
for square and triangular	1001-U24	1001-U25	Fiat	1000-352
for double bit	1001-U26	1001-U27	<b>IP 65 achieved by:</b>	
for Daimler Benz	1001-U28	1001-U29	Flat seal	1000-23
for FIAT	1001-U33	-	O-ring	1000-24

**Further parts see page**

- T-handle 2A-140
- L-handle 2A-140
- Rod 1C-620
- Profile half cylinder 2B-220
- Key 8B-120
- Escutcheon 8D-120
- Adapter system for insulated doors 2A-180

# Handle

## PROGRAM SCREW-ON

Info

1 Quarter turns

2 Rod controls

3 Locking systems

4 Hinges

5 Seals

6 Handles

7 Aluminium windows

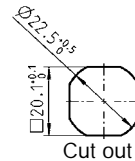
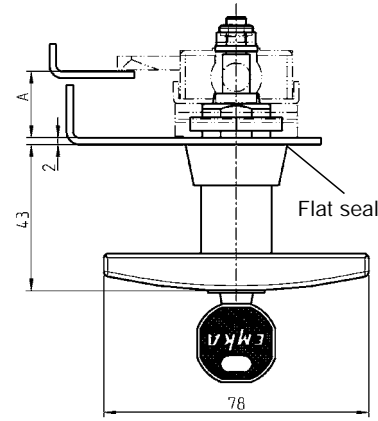
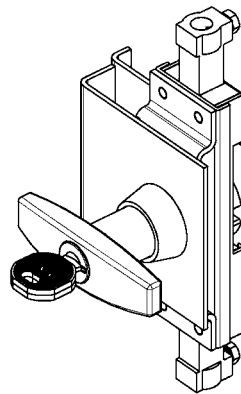
8 Miscellaneous

9 Special catalogues

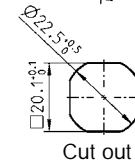
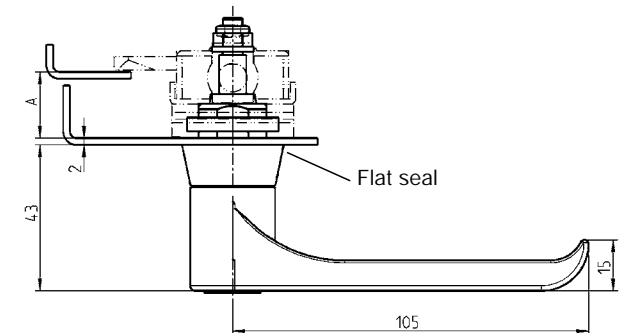
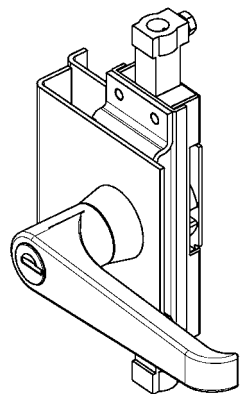
Index



### T-handle



### L-handle



**T-Handle zinc die with nut and washer m.s. zinc-pl., with seal**  
**Each round cylinder has one silver steel key with polyamide grip GF black**

		non locking	keyed EMKA 333	keyed different
<b>A20</b>	chrome-plated	1102-U1	1102-U3	1102-U5
	black powder-coated	1102-U7	1102-U9	1102-U11
<b>A26</b>	chrome-plated	1102-U2	1102-U4	1102-U6
	black powder-coated	1102-U8	1102-U10	1102-U12

**L-Handle zinc die with nut and washer m.s. zinc-pl., with seal.**  
**Each round cylinder has one silver steel key with polyamide grip GF black**  
**- Insert spring loaded -**

		chrome-plated		black powder-coated	
		A20	A26	A20	A26
non locking	(IP 65)	1103-U1	1103-U2	1103-U21	1103-U22
keyed EMKA 333	(IP 65)	1103-U3	1103-U4	1103-U23	1103-U24
keyed different	(IP 65)	1103-U5	1103-U6	1103-U25	1103-U26
Square 7	} IP 65 (on request)	1103-U7	1103-U8	1103-U27	1103-U28
Square 8		1103-U9	1103-U10	1103-U29	1103-U30
Triangular 7		1103-U11	1103-U12	1103-U31	1103-U32
Triangular 8		1103-U13	1103-U14	1103-U33	1103-U34
Double bit 3		1103-U15	1103-U16	1103-U35	1103-U36
Double bit 5		1103-U17	1103-U18	1103-U37	1103-U38
Daimler Benz		1103-U19	1103-U20	1103-U39	1103-U40

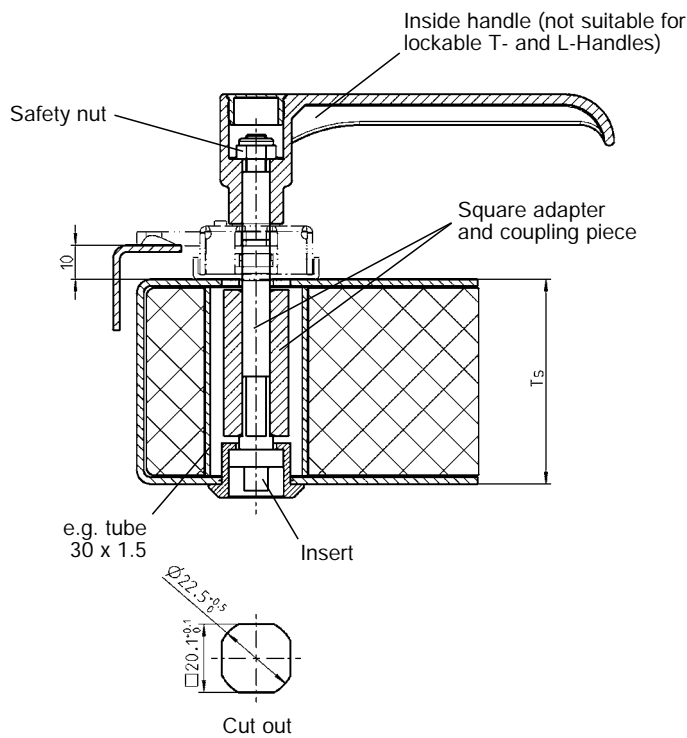
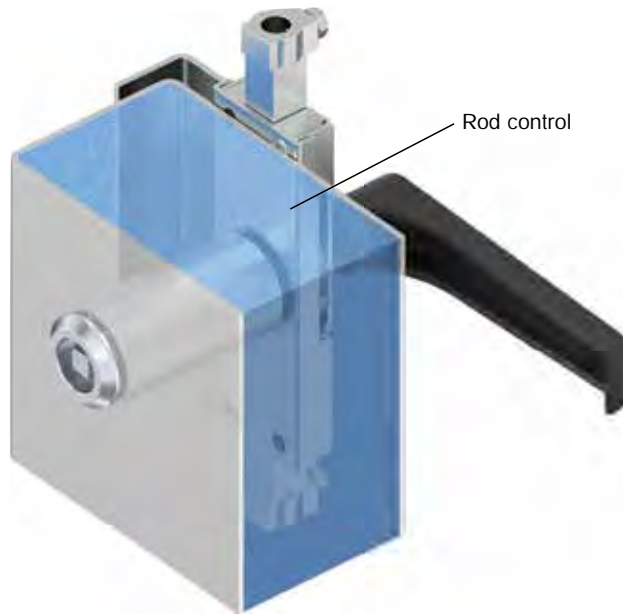
**Suitable for rod program:**

1001  
1049  
1068

**Further parts see page**  
 - Dust cap for T-handle 1C-340  
 - Spare key 8B-140  
 - Adapter system for insulated doors 2A-180

# Adapter system for insulated doors

## PROGRAM SCREW-ON



Adapter system pre-assembled with handle or insert, inserted into the aperture and held by locking nut M6.



1 Quarter turns

2 Rod controls

3 Locking systems

4 Hinges

5 Seals

6 Handles

7 Aluminium windows

8 Miscellaneous

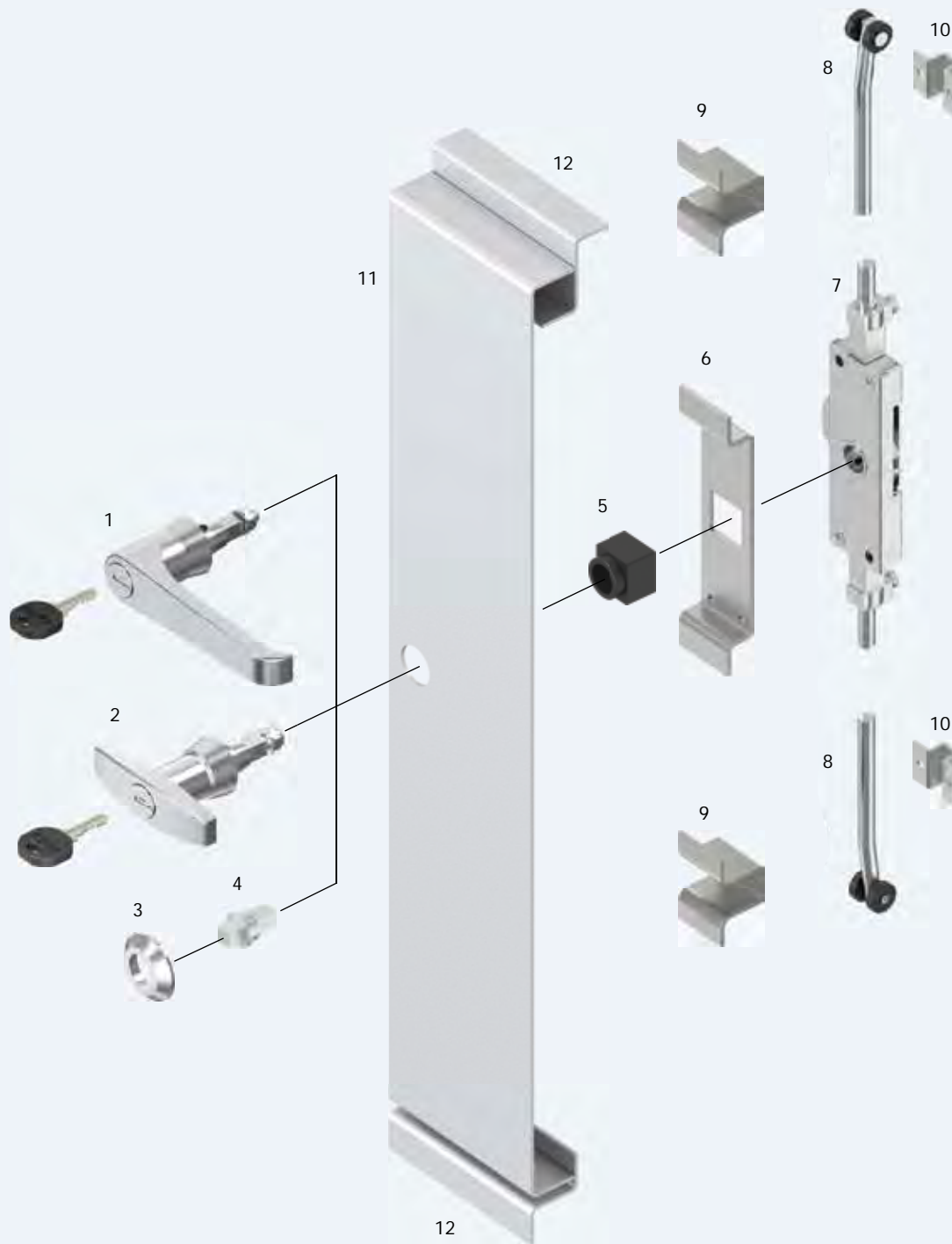
9 Special catalogues

Insert, m.s. zinc-plated, key guide zinc die chrome-plated, safety nut m.s. zinc-plated		Door thickness Ts	Square adapter m.s. z.pl.	Coupling piece aluminium
Square 7	1001-U21	20	-	-
Square 8	1001-U22	40	1x1001-65	1001-69
Double bit 5	1001-U23	50	1x1001-66	1001-70
<b>Adapter for internal handle m.s. zinc-plated</b>		60	1x1001-67	1001-71
	1001-65	80	2x1001-66	1001-72
<b>Inside handle polyamide black</b>		100	2x1001-67	1001-73
	1000-U829			

**Further parts see page**  
 – Anti-rotation device 1C-360  
 – Rod control 2A-120  
 2B-120  
 2B-130  
 2B-180  
 – T-handle or L-Handle A = 26 2A-140



# Rod control for heavy duty weld-on



- |    |                 |                          |
|----|-----------------|--------------------------|
| 1  | L-handle        | 2B-160                   |
| 2  | T-handle        | 2B-160                   |
| 3  | Bezel           | 2B-160                   |
| 4  | Insert          | 2B-160                   |
| 5  | Key guide       | 2B-160                   |
| 6  | Support         | 2B-120 to 2B-140, 2B-180 |
| 7  | Rod control     | 2B-120 to 2B-140, 2B-180 |
| 8  | Rod             |                          |
| 9  | Rod support     |                          |
| 10 | Loop            |                          |
| 11 | Door            |                          |
| 12 | Housing / Frame |                          |

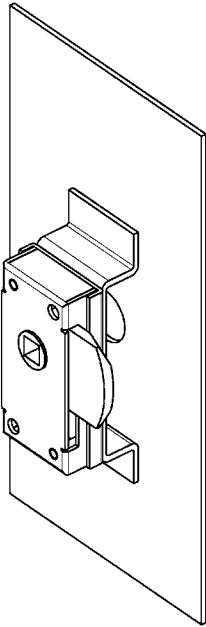


## 2B-100

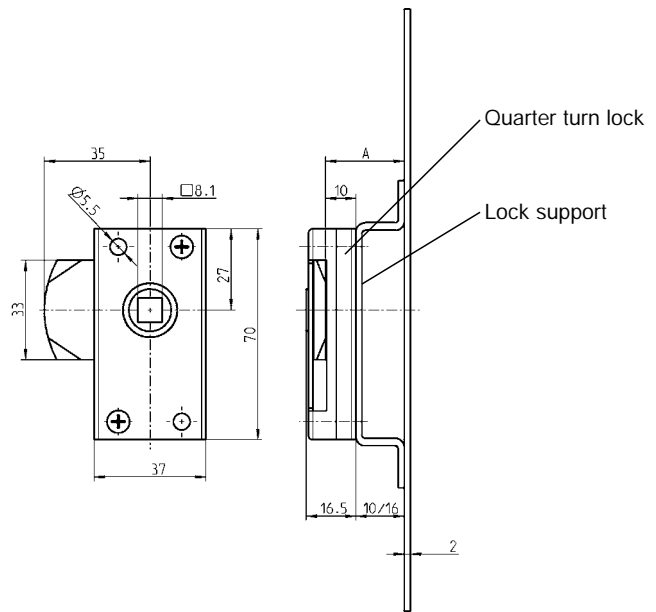
# Lock for quarter turn, hooked cam and rod control

## PROGRAM weld-on

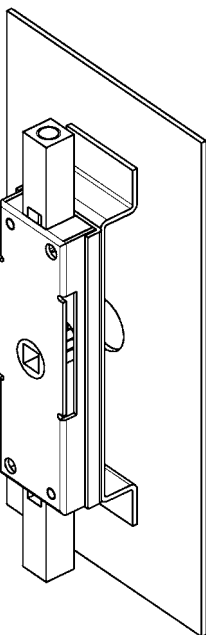
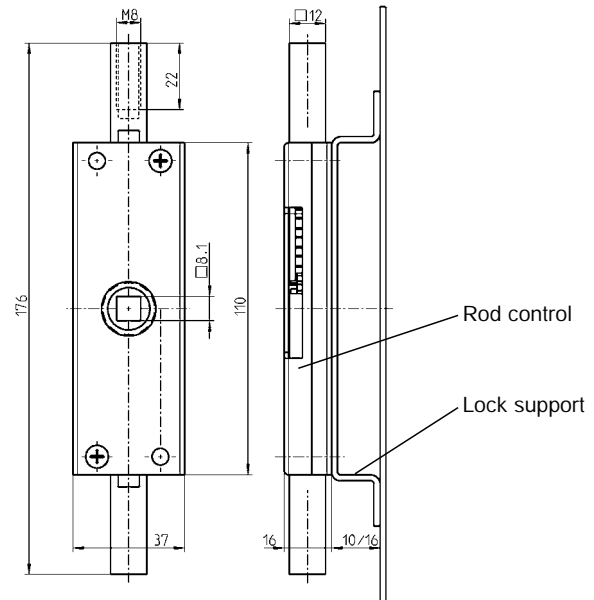
### Quarter turn lock



90° turn



### Two-sided lock for screw-in rod

180° turn  
Stroke 32 mm

### Quarter turn lock m.s. zinc-plated, right and left usable

1002-U1

### Support m.s. raw

A20

1002-04

A26

1002-05

### Rod control with two-sided lock m.s. zinc-plated

Right

1001-U19

Left

1001-U20

### Support m.s. raw

A20

1001-18

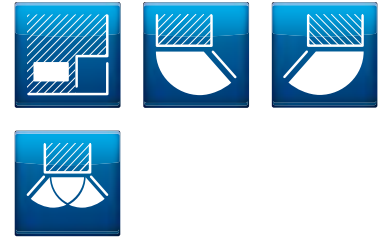
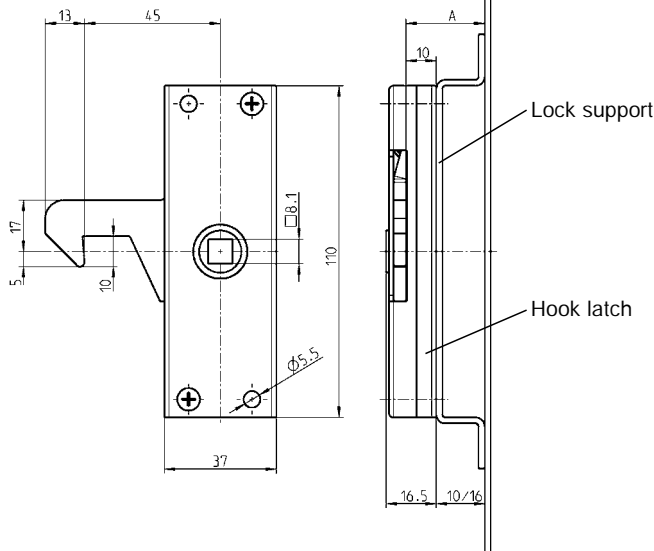
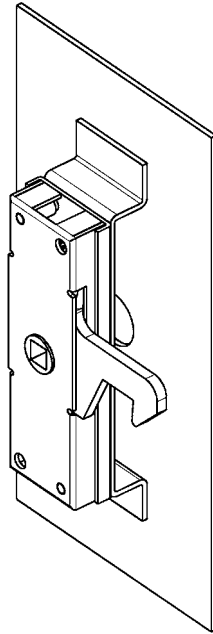
A26

1001-19



### Hook latch

Hooked cam free running  
(locks in place even  
when the handle is closed)



#### Hook latch m.s. zinc-plated

Right	1001-U30
Left	1001-U31

#### Support m.s. raw

A20	1001-18
A26	1001-19

#### Further parts see page

- Insert	2B-160
- T-handle	2B-160
- L-handle	2B-160
- Ring handle insert	2B-190
- Rod	1C-620
- Adapter system for insulated doors	2A-180

Info

1 Quarter turns



2 Rod controls



3 Locking systems

4 Hinges

5 Seals

6 Handles

7 Aluminium windows

8 Miscellaneous

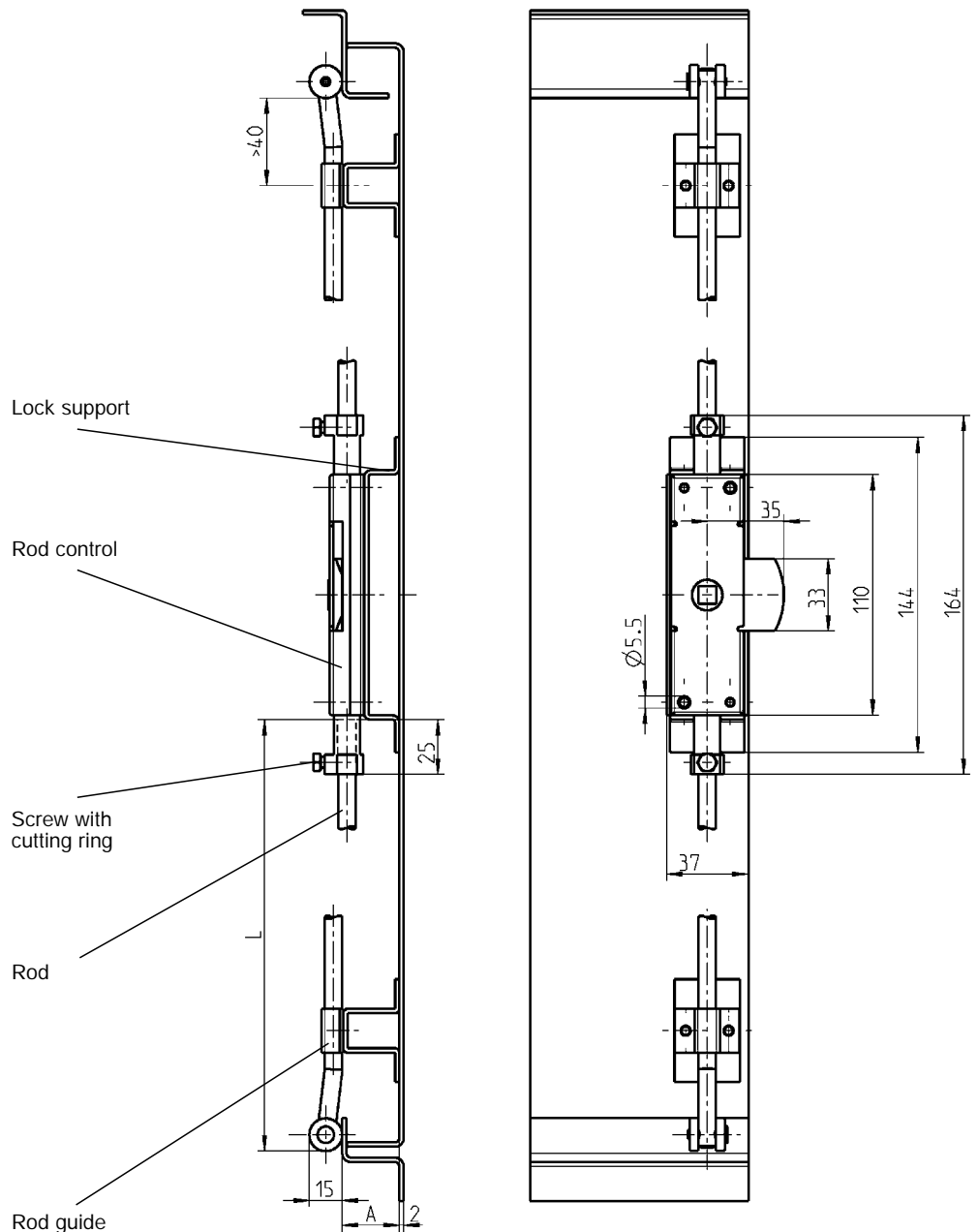
9 Special catalogues

Index



Three-sided lock for plug-in rod  
Stroke 13 or 18 mm

90° turn



Rod control can also be operated with socket spanner when mounted without insert, see catalogue page 12B-120.

#### Further parts see page

- Insert, bezel	2B-160
- L-handle	2B-160
- T-handle	2B-160
- Ring handle insert	2B-190
- Rod	1C-620

<b>Program 1107</b>	
- Swinghandle	3A-220

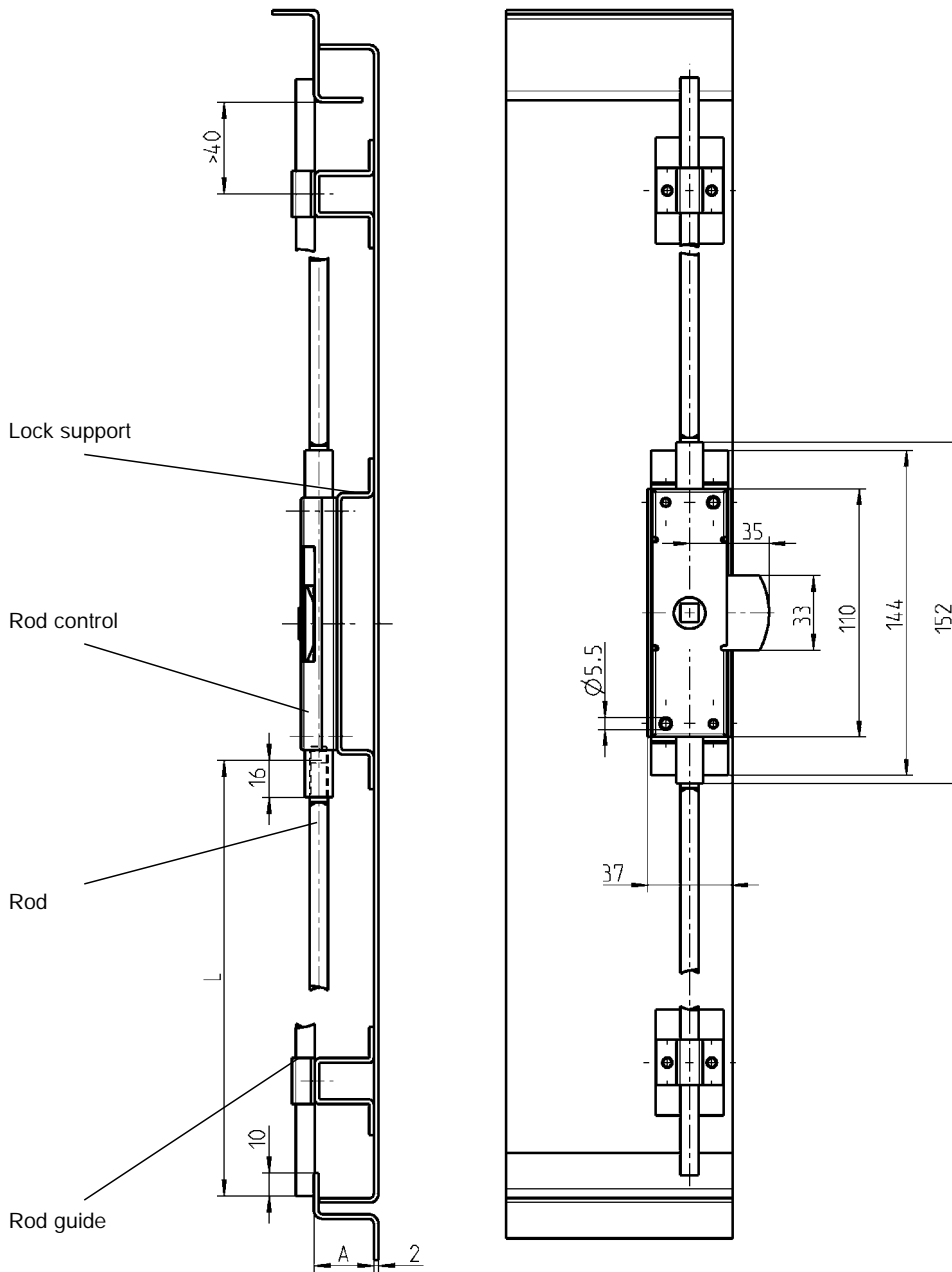
Rod control m.s. zinc-plated	Stroke 13	Stroke 18
Right	1049-U1	1049-U19
Left	1049-U2	1049-U20
Support m.s. raw	<b>A20</b>	<b>A26</b>
	1001-18	1001-19

# Rod control

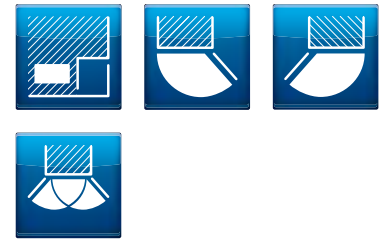
## PROGRAM weld-on

Three-sided lock for screw-in rod  
Stroke 13 mm

90° turn



Rod control can also be operated with socket spanner when mounted without insert., see catalogue page 12B-120.



<b>Rod control m.s. zinc-plated</b>		<b>Stroke 13</b>
Right		1001-U1
Left		1001-U2
<b>Support m.s. raw</b>	<b>A20</b>	<b>A26</b>
	1001-18	1001-19

**Further parts see page**

- Insert, bezel 2B-160
- L-handle 2B-160
- T-handle 2B-160
- Ring handle insert 2B-190
- Rod 1C-620

**Program 1107**

- Swinghandle 3A-220

Info

1 Quarter turns



2 Rod controls



3 Locking systems

4 Hinges

5 Seals

6 Handles

7 Aluminium windows

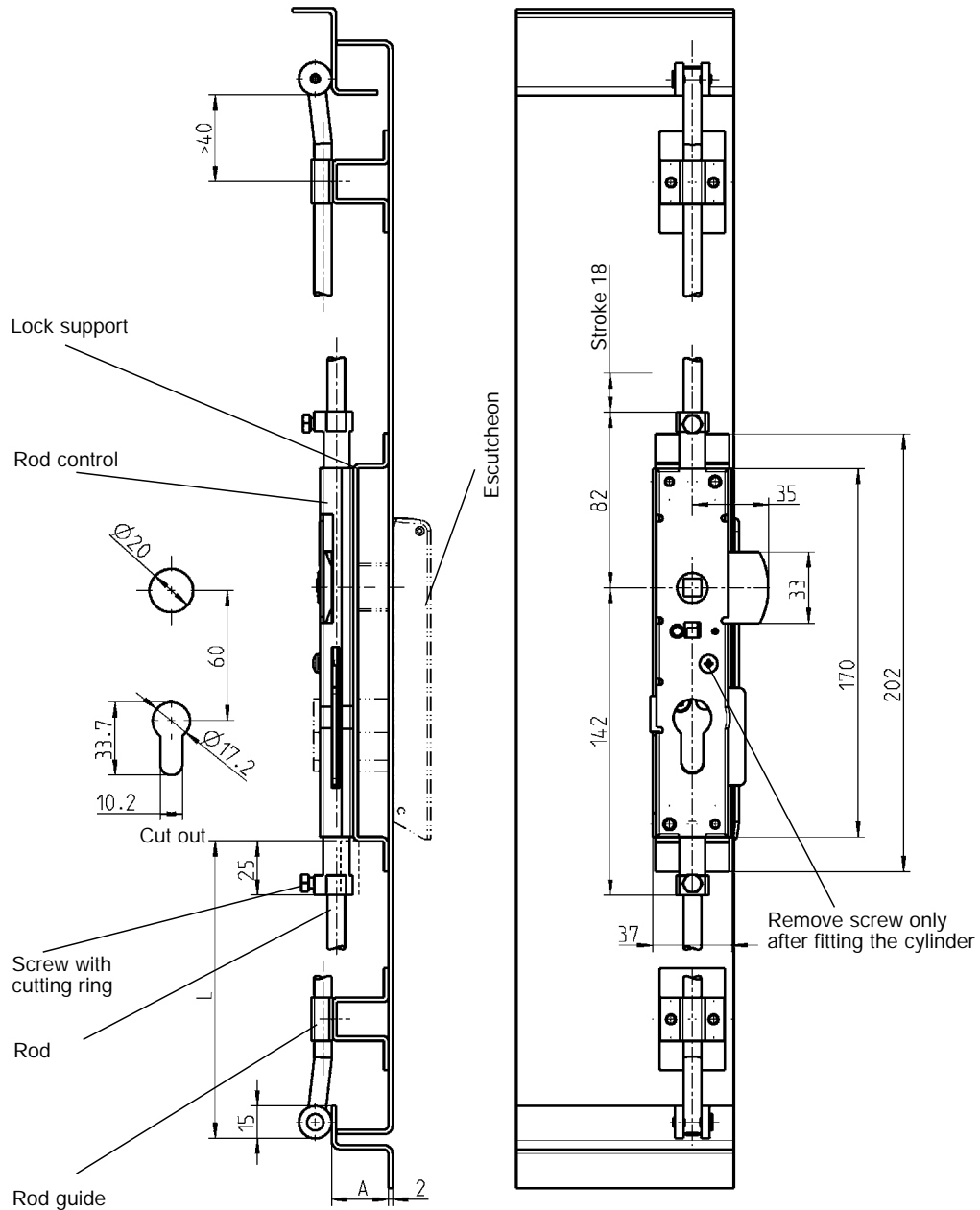
8 Miscellaneous

9 Special catalogues

Index



90° turn  
Stroke 18 mm



#### Further parts see page

- Insert, bezel	2B-160
- T-handle	2B-160
- L-handle	2B-160
- Ring handle insert	2B-190
- Rod	1C-620
- Profile half cylinder	2B-220
- Escutcheon	8D-120

#### Rod control m.s. zinc-plated

Right	1068-U1
Left	1068-U2

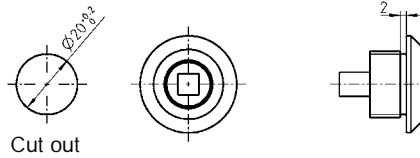
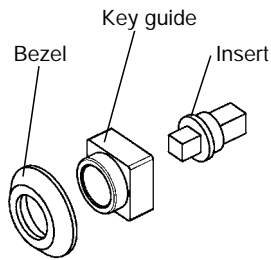
#### Support m.s. raw

A20	1017-14
A26	1017-15

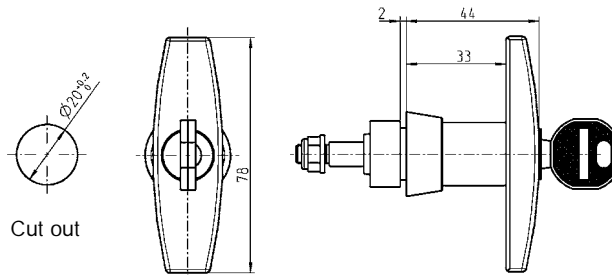
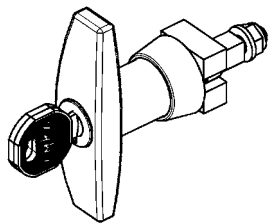
#### Blind plug for profile half cylinder cut out

A20	1059-U1
A26	1059-U2

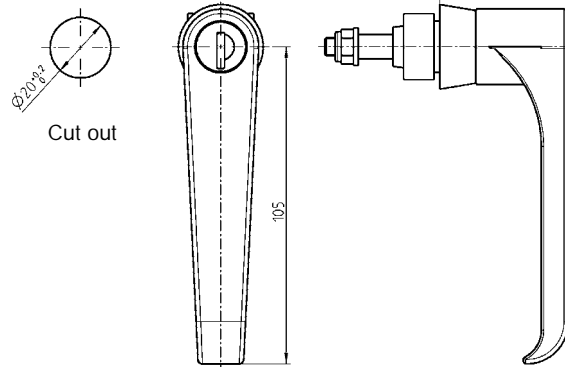
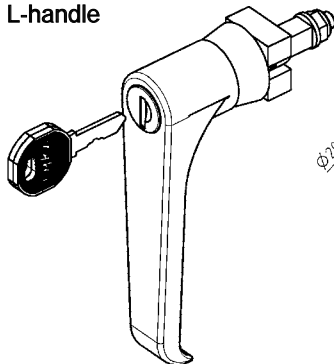
# Insert and handle PROGRAM weld-on



### T-handle



### L-handle



### Insert zinc die chrome-plated

Square 7	1001-23	
Square 8	1001-24	
Triangular 7	1001-25	
Triangular 8	1001-26	
Double bit 3	1001-27	
Double bit 5	1001-28	
Daimler Benz	1001-34	
<b>Key guide ABS</b>	<b>A20</b>	<b>A26</b>
Square and triangular	1001-31	1001-32
Double bit	1001-29	1001-30
Daimler Benz	1001-35	1001-36

### Bezel, self-adhesive

ABS chrome-plated	1001-33	
to achieve an optical look alike with quarter turn page 1B-140		

### T-Handle zinc die chrome-plated,

nut m.s. zinc-plated	A20	A26
non locking	1005-U1	1005-U4
keyed EK 333	1005-U2	1005-U5
keyed different	1005-U3	1005-U6

### L-Handle zinc die chrome-plated,

nut m.s. zinc-plated	A20	A26
non locking	1044-U1	1044-U4
keyed EK 333	1044-U2	1044-U5
keyed different	1044-U3	1044-U6
Square 7	1044-U7	1044-U8
Square 8	1044-U11	1044-U12
Triangular 7	1044-U13	1044-U14
Triangular 8	1044-U15	1044-U16
Double bit 3	1044-U17	1044-U18
Double bit 5	1044-U19	1044-U20
Daimler Benz	1044-U9	1044-U10
Eastern Europe Ø 13 half-round	1044-U21	1044-U22

### Note:

Insert with spring loaded return (two-hand operation)

### Further parts see page

- Dust cap for T-handle	1C-340
- Key	8B-120
- Spare key	8B-140
- Hook latch	2B-120
- Rod control	2B-130
	to 2B-140

Info

1 Quarter turns

2 Rod controls

3 Locking systems

4 Hinges

5 Seals

6 Handles

7 Aluminium windows

8 Miscellaneous

9 Special catalogues

Index



Version A

Version B

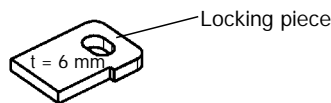
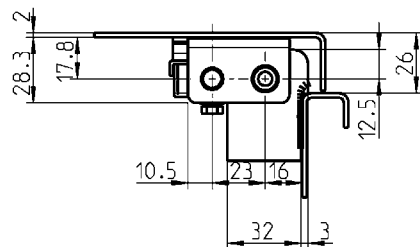
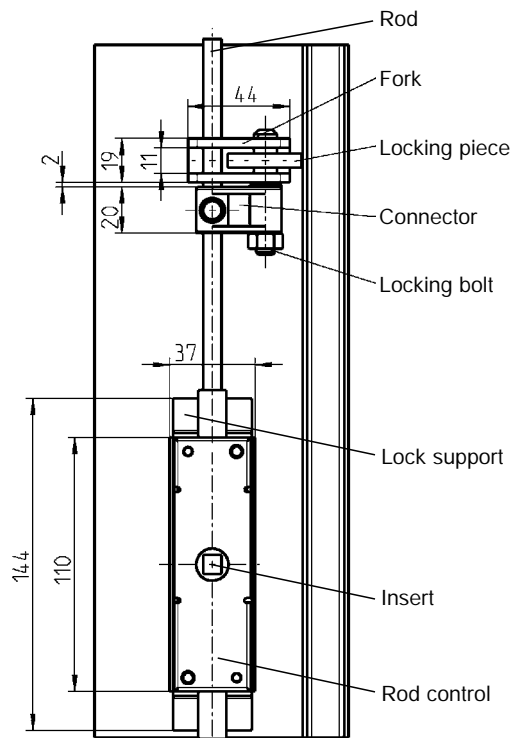


Single components on request

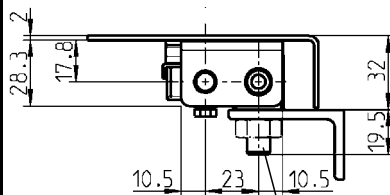
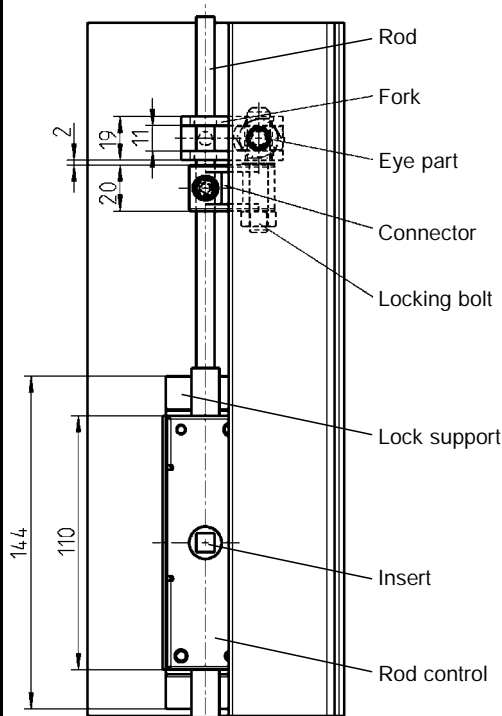
Further parts see page  
– Screw-on hinge

4A-260

Version A



Version B



**Rod control m.s. zinc-plated**

Right

Left

**Support m.s. raw**

**Insert zinc die chrome-plated**

Double bit 5

**Key guide ABS**

**Bezel ABS chrome pl.**

**Rod m.s. zinc-pl.**

1000 mm long

**Pressure fitting complete consisting of following single components:**

**Fork m.s. raw, connector zinc die zinc-plated, locking pin m.s. zinc-plated and**

Version A: Locking piece m.s. raw

Version B: Screw-on eye m.s. zinc-plated

**Stroke 18**

1001-U9

1001-U10

1001-18

1001-28

1001-29

1001-33

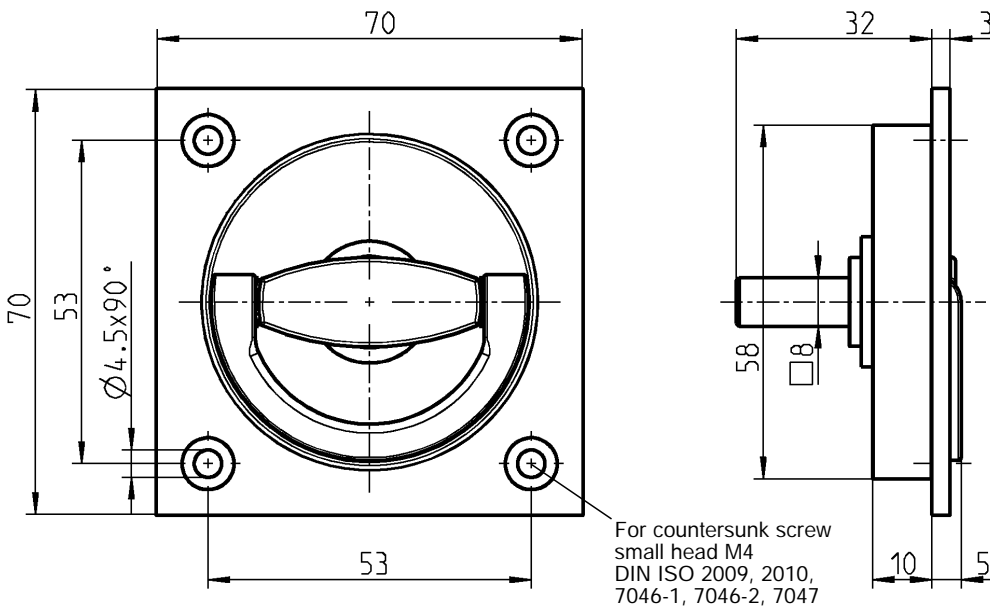
1092-03

1092-U03

1092-U04

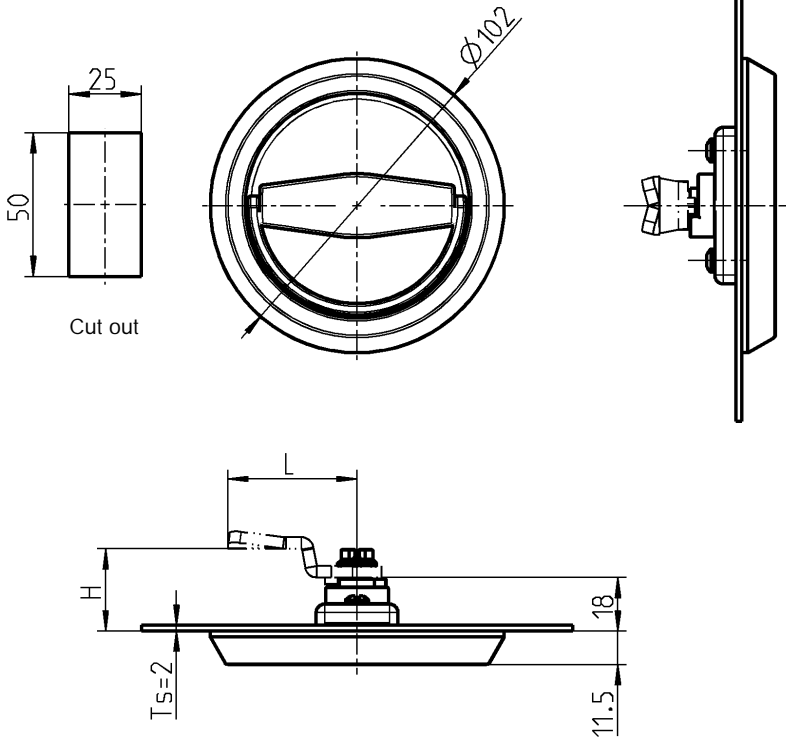
# Ring-handle insert

## PROGRAM 1098



Ring-handle insert zinc die silver powder-coated

1098-U1



Further parts see page  
– Cam with catch 1C-120  
(not suitable for stainless steel slam cam)

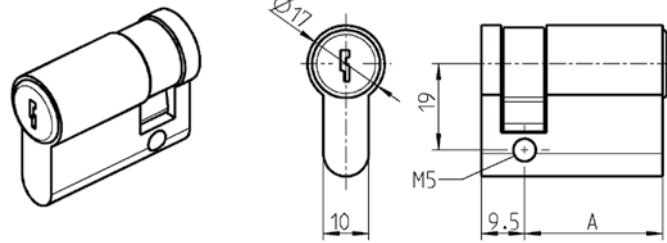
Ring-handle quarter turn AISI 316 Ti, with seal

IP 65

1098-U2

### Profile half cylinder PROGRAM universal

Profile half cylinder according to DIN 18252 (EN 1303)

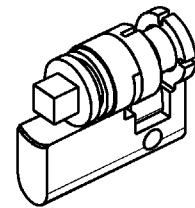
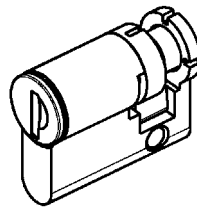


Profile half cylinder according to DIN 18252,  
brass nickel-plated with 3 keys

keyed different	A = 30	1089-U1
keyed 110319 N	A = 30	1089-U2
keyed different	A = 40	1089-U3
keyed 110319 N	A = 40	1089-U4
(Master key system on request)		

EMKA profile half cylinder with round cylinder,  
rotates 360°

EMKA Profile half cylinder with insert,  
rotates 360°



EMKA profile half cylinder with round cylinder zinc die with stainless steel cap and dust cap,  
each round cylinder has one silver steel key with grip polyamide GF black, rotates 360°

keyed different or keyed EK 333

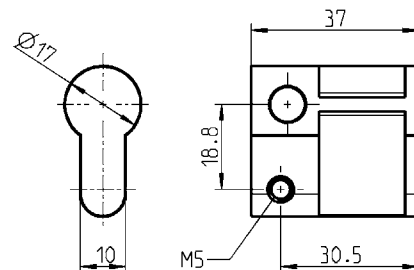
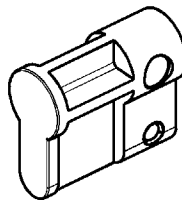
on request

EMKA profile half cylinder with Insert zinc die chrome-plated, rotates 360°

Insert, e.g. square, triangular, double bit, slot and more

on request

Blind plug



Blind plug polyamide GF black

1109-09-AA

Blind plug for rod control Program 1068

A20

A26

(Illustration see right side, bottom)

1059-U1

1059-U2

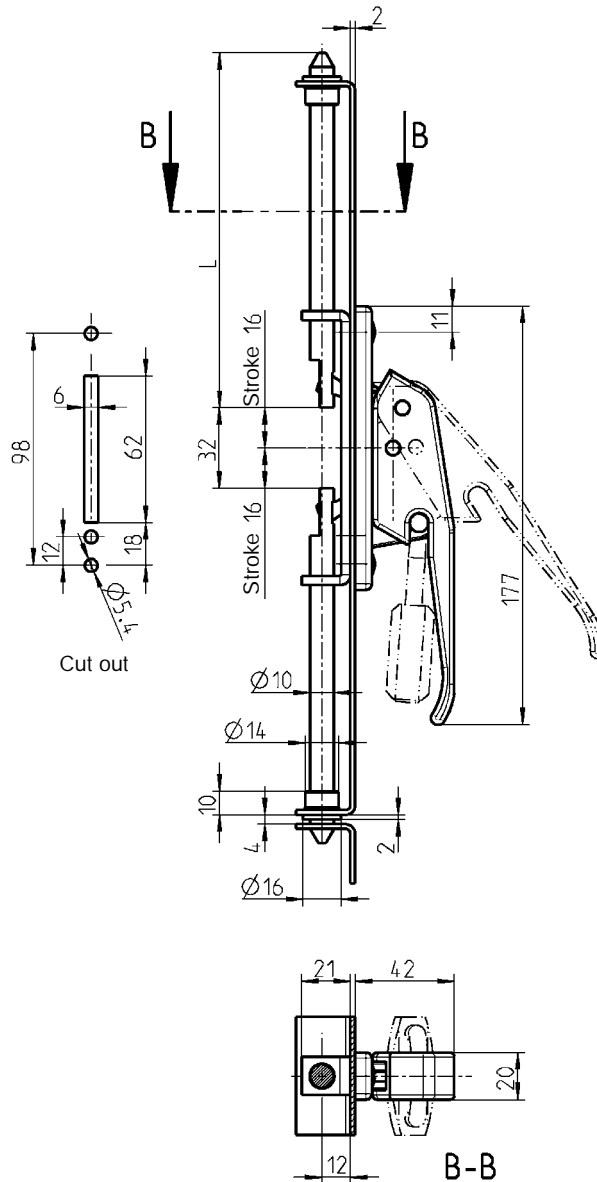
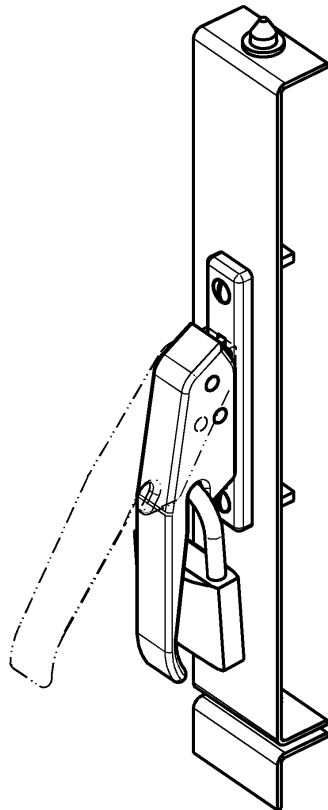
Further parts see page

- Key 8B-120
- Spare key 8B-140
- Rod control 2A-120
- 2B-140



# Lever locking system

## PROGRAM 1099



Lever version of choice, guiding bracket m.s. zinc-plated, guiding bushes brass nickel-plated, screws m.s. zinc-plated







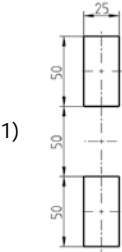

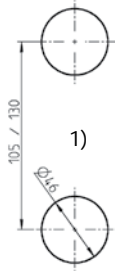
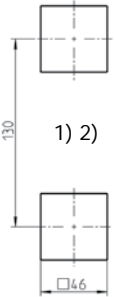
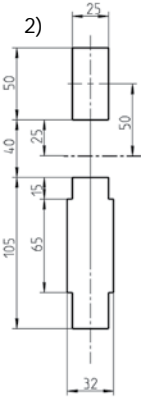
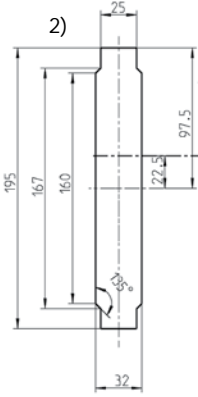
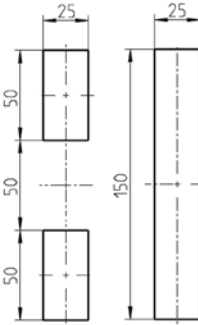
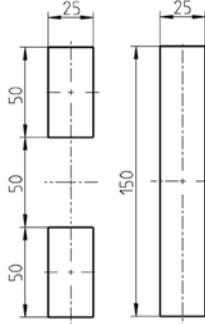
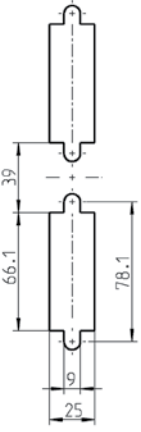
Lever zinc die silver powder-coated	1099-U1
Lever polyamide black	1099-U4
Lever for padlock zinc die silver powder-coated	1099-U6

**Rod m.s. zinc-plated**

L = 1100 mm	1099-03
-------------	---------

Other rod lengths available on request

# Swinghandles, lifthandles and escutcheons, Part 1

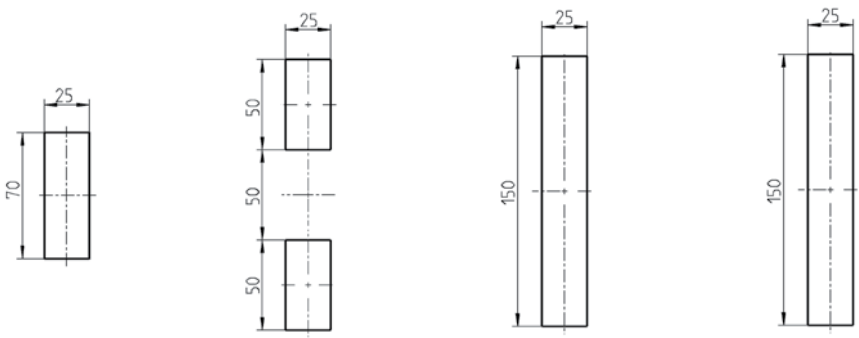
	<b>1107</b> Swinghandle	<b>1125</b> Swinghandle	<b>1125</b> Double cylinder swinghandle	<b>1150</b> Swinghandle 1150	<b>1150</b> Swinghandle 1150	<b>1150</b> Swinghandle 1151
	3A-100	3B-100	3B-100	3C-100	3C-100	3C-100
<b>1</b>						
<b>2</b>		1)	2)			
<b>3</b>						
<b>4</b>	1)	1)	2)			
<b>5</b>						
<b>6</b>						
<b>7</b>	●	●	●	●	●	●
	IP 65	IP 40/IP 65	IP 65	IP 65	IP 40	IP 54/IP 65
<b>8</b>	●	●	●	●	Emergency opening	●
	●	●	●	●	●	●
<b>9</b>	●	●	●	●	●	●
	●	●	●	●	●	●
		●			●	●
		●				●
		●				●

<b>1150</b> Swinghandle 1152 3C-100	<b>1150</b> Swinghandle 1153 3C-100	<b>1150</b> Swinghandle 1154 3C-100	<b>1150</b> Swinghandle 1154 3C-100
--	--	--	--

<b>Beschlagteile</b>
see catalogue page









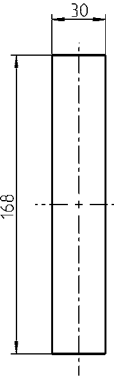
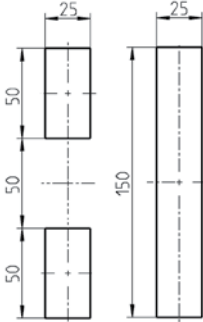

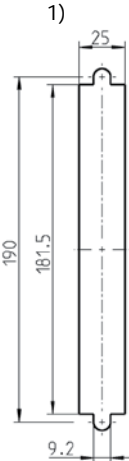


→  
Please see next page.  
Overview of further  
products.



•	•	•	•
IP 40/IP 65	IP 65	IP 65	IP 65
•	•	•	•
•	•	•	•
•	•	•	•
•	•	•	•
•	•	•	•
•	•	•	•

Inside the sealing
Outside the sealing
IP-Rating
Unlocked with insert
Unlocked with round cylinder
Unlocked with profile half cylinder
Unlocked electronically
Unlocked without key
Modular technology
Handle and dish polyamide
Handle zinc die and dish polyamide
Handle and dish zinc die
Handle and dish stainless steel
Fitting escutcheons

# Swinghandles, lifthandles and escutcheons, Part 2

	1150	1150	1160	1180	1180	1180
	Swinghandle 1154	Swinghandle 1155	Swinghandle 3D-100	Swinghandle 1180	Swinghandle 1185	Swinghandle 1185
	3C-100	3C-100	3D-100	3E-100	3E-100	3E-100
						
						
	•	•	•	•	•	•
	IP 65	IP 65	IP 65	IP 54	IP 54	IP 65
	•	•	•	•	•	•
		Combination lock	•	•	•	•
		•	•	•	•	•
	•		•	•		•
			•	•		

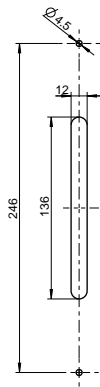
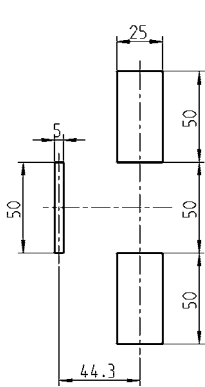
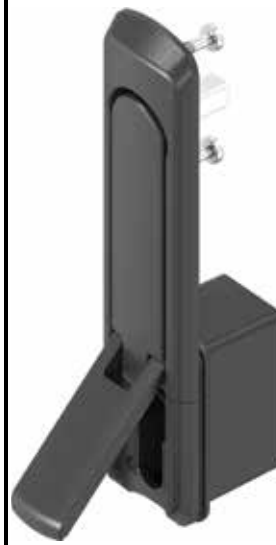




1325	1390	2100	2225
Swinghandle	Lifthandle	Swinghandle	Swinghandle
3BA-100	3FA-100	3H-100	3J-100

## Beschlagteile

see catalogue page



Please see next page.  
Overview of further products.



Please see previous page.  
Overview of further products.

•		•	•
•	•	•	
IP 65		IP 54	IP 65
•	•	•	•
•	•	•	•
•	•	•	•
•		•	
•	•	•	•
•	•		
		•	
	•		•
		•	
	•		

•	Inside the sealing
•	Outside the sealing
IP 65	IP-Rating
•	Unlocked with insert
•	Unlocked with round cylinder
•	Unlocked with profile half cylinder
•	Unlocked electronically
•	Unlocked without key
•	Modular technology
•	Handle and dish polyamide
	Handle zinc die and dish polyamide
	Handle and dish zinc die
	Handle and dish stainless steel
	Fitting escutcheons

- 1 Quarter turns
- 2 Rod controls
- 3 Locking systems
- 4 Hinges
- 5 Seals
- 6 Handles
- 7 Aluminium windows
- 8 Miscellaneous
- 9 Special catalogues
- Index

### Beschlagteile

**2400**

Swinghandle

**3000**

Swinghandle

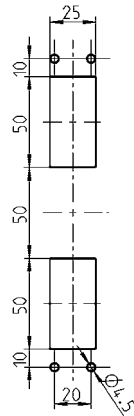
see catalogue page

3K-100

3N-100



Please see previous page.  
Overview of further products.



Inside the sealing

Outside the sealing

IP-Rating

Unlocked with insert

Unlocked with round cylinder

Unlocked with profile half cylinder

Unlocked electronically

Unlocked without key

Modular technology

Handle and dish polyamide

Handle zinc die and dish polyamide

Handle and dish zinc die

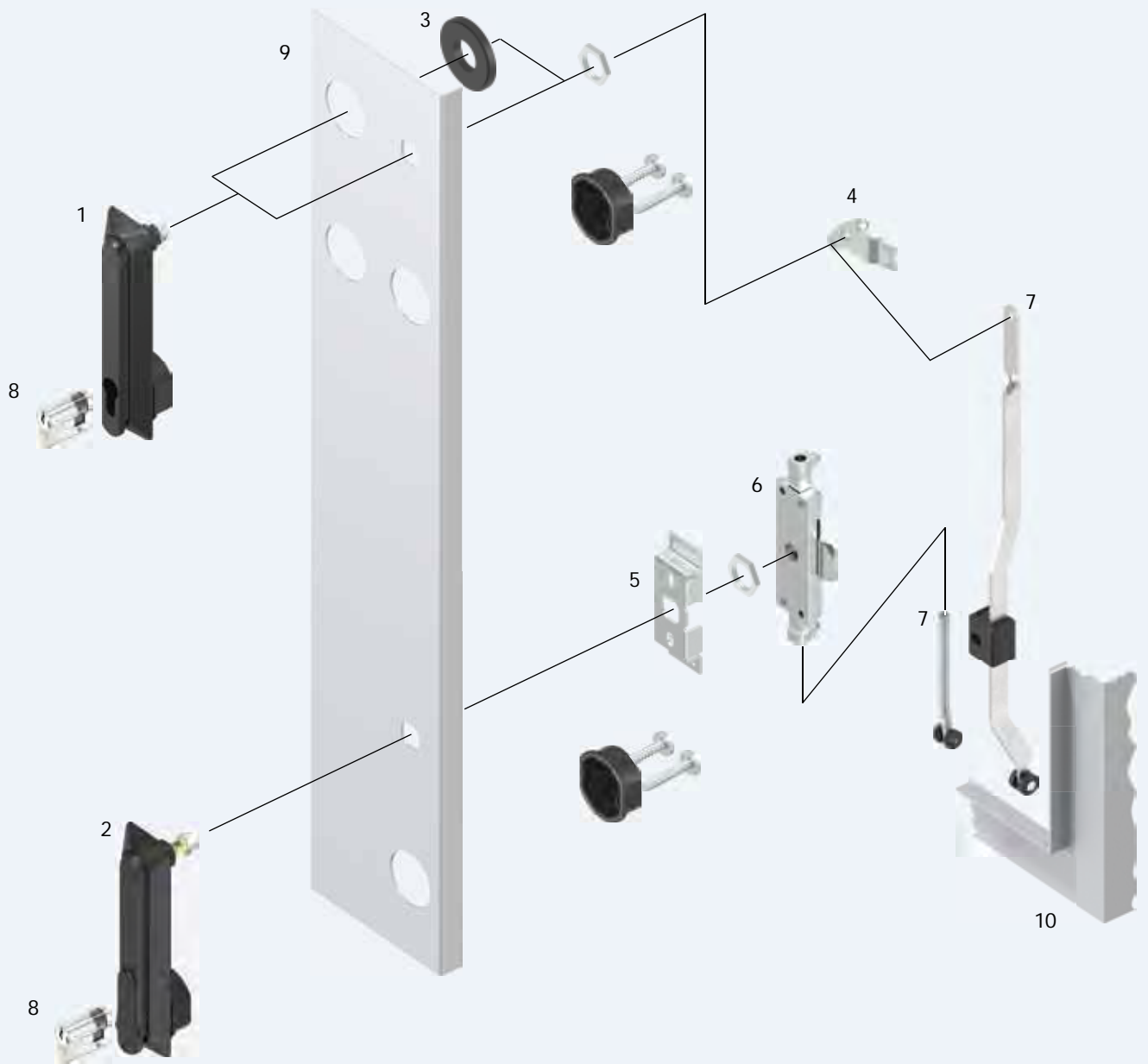
Handle and dish stainless steel

Fitting escutcheons

IP 40



# Swinghandle Program 1107



- 1 Swinghandle
- 2 Swinghandle
- 3 Adapter ring
- 4 Cam
- 5 Support
- 6 Rod control
- 7 Rod
- 8 Profile half cylinder
- 9 Door
- 10 Housing/frame

3A-120, 3A-140  
3A-220

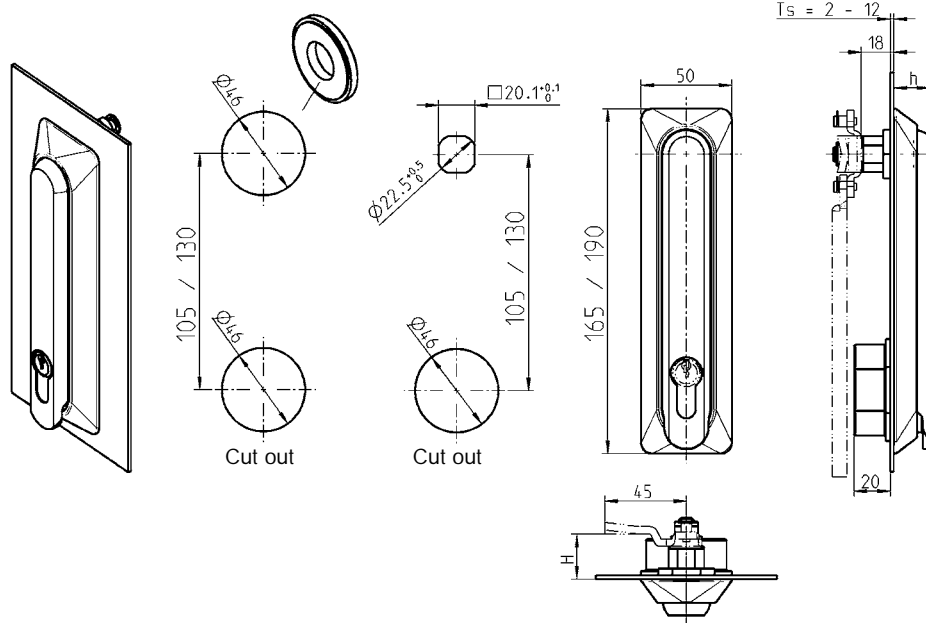


## 3A-100



Version A

Version B



#### Attention:

With adapter the maximum door gauge (Ts) will be 6 mm

#### Note:

If door gauge (Ts) > 4 mm standard round rods cannot be used!

Swinghandle 'long' or 'short'  
handle polyamide GF black; dish polyamide GF V0 black;  
shaft brass; cylinder cover polyamide GF black;  
fixing material m.s. zinc plated; with seal

#### Swinghandle 'long' (190) without cylinder cover

for 40 mm profile half cylinder (h = 20 mm)	1107-U1-G
---	-----------

#### Swinghandle 'long' (190) with cylinder cover, sealable

for 40 mm profile half cylinder (h = 20 mm)	1107-U2-G
for 40 mm profile half cylinder (h = 20 mm) (handle zinc die black powder-coated)	1107-U102-G
for 45 mm profile half cylinder (h = 25 mm)	1107-U32-G

#### Swinghandle 'short' (165) without cylinder cover

for 40 mm profile half cylinder (h = 20 mm)	1107-U158-G
---	-------------

#### Swinghandle 'short' (165) with cylinder cover, sealable

for 40 mm profile half cylinder (h = 20 mm)	1107-U159-G
for 45 mm profile half cylinder (h = 25 mm)	1107-U169-G

#### Adapter ring polyamide GF black, required for cut out version A

	1107-53
--	---------

* Order screw set separately if Ts = 4-12 mm	1107-U170
--	-----------

#### Further parts see page

- Cam	3YC-120
- Rod control for cam	3YC-180
- Profile half cylinder	3XB-120

# Swinghandle for padlock

## PROGRAM 1107



1 Quarter turns



2 Rod controls

3 Locking systems

4 Hinges

5 Seals

6 Handles

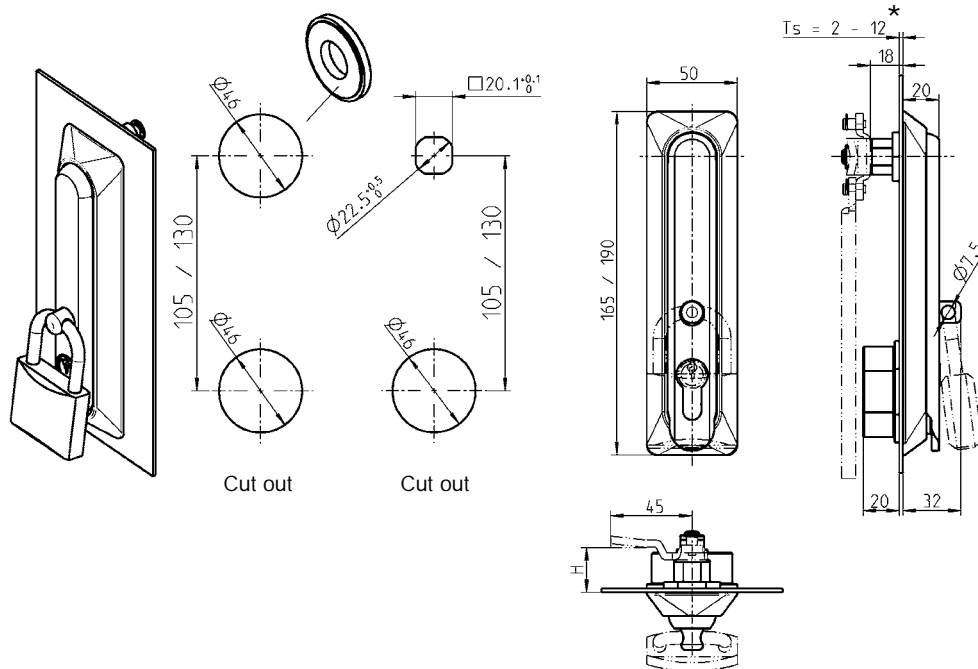
7 Aluminium windows

8 Miscellaneous

9 Special catalogues

Index

Version A      Version B



**Attention:**  
With adapter the maximum door gauge (Ts) will be 6 mm

**Note:**  
If door gauge (Ts) > 4 mm standard round rods cannot be used!



Swinghandle 'long' or 'short'  
handle polyamide GF black; dish polyamide GF V0 black; shaft brass;  
padlock shackle AISI 303; fixing material m.s. zinc-plated; with seal

Swinghandle 'long' (190)

for 40 mm profile half cylinder

1107-U96-G

Swinghandle 'short' (165)

for 40 mm profile half cylinder

1107-U164-G

Adapter ring polyamide GF black, required for cut out version A

1107-53

\* Order screw set separately if Ts = 4-12 mm

1107-U170

Further parts see page

- Cam 3YC-120
- Rod control for cam 3YC-180
- Profile half cylinder 3XB-120

Info

1 Quarter turns



2 Rod controls



3 Locking systems



4 Hinges

5 Seals

6 Handles

7 Aluminium windows

8 Miscellaneous

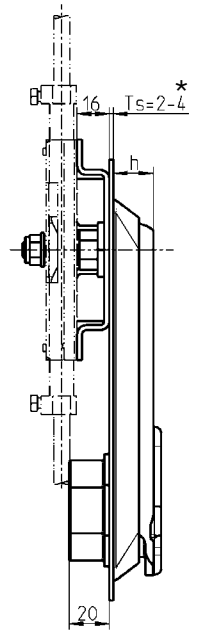
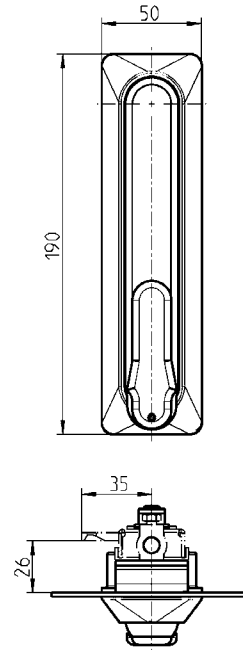
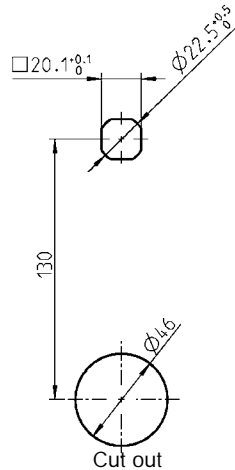
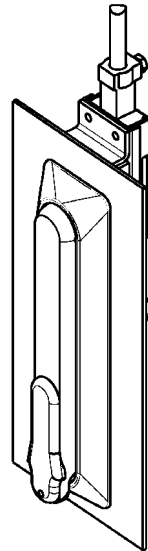
9 Special catalogues

Index

\* Ts > 4 to 11 mm on request

Further parts see page

– Rod control 2B-130  
2B-135  
– Profile half cylinder 3XB-120



Handle material of choice; dish polyamide GF V0 black;  
cylinder cover sealable polyamide GF black;  
shaft brass; fixing material m.s. zinc-plated; with seal;  
for 40 mm profile half cylinder (h = 20 mm)

Handle polyamide GF black

1107-U14-G

Handle zinc die black powder-coated

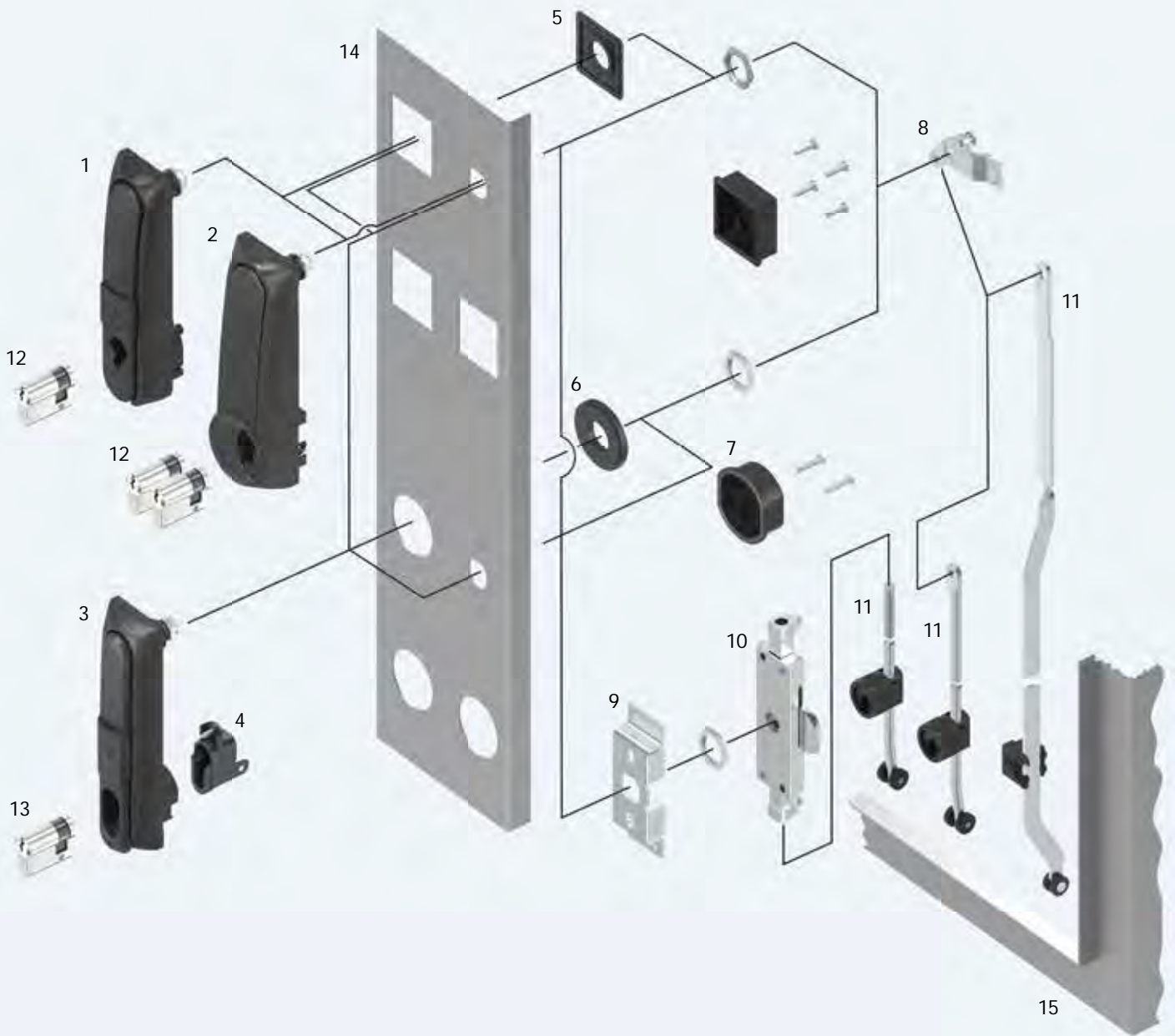
1107-U104-G

Support m.s. zinc-plated

RH and LH version

1001-50

# Swinghandle Program 1317



- |    |  |                  |
|----|--|------------------|
| 1  | Swinghandle with RC2                             | 3AB-120; 3AB-180 |
| 2  | Double cylinder swinghandle with RC2             | 3AB-160; 3AB-220 |
| 3  | Swinghandle with modular locking system          | 3AB-140; 3AB-220 |
| 4  | Locking set                                      |                  |
| 5  | Adapter plate                                    |                  |
| 6  | Adapter ring (not included in scope of delivery) |                  |
| 7  | Cap (not included in scope of delivery)          |                  |
| 8  | Cam  |                  |
| 9  | Support  |                  |
| 10 | Rod control                                      |                  |
| 11 | Rod  |                  |
| 12 | Profile half cylinder                            |                  |
| 13 | Locking set, e.g. profile half cylinder          |                  |
| 14 | Door   |                  |
| 15 | Housing / Frame                                  |                  |



## 3AB-100

# Swinghandle with RC2, mechanical or electromechanical release

## PROGRAM 1317

**Resistance class:** RC2 DIN EN 1630, achieved by profile half cylinder according to DIN EN 18252-BZ or DIN EN 1303 with resistance class 2 with protection against drilling and pulling. The profile half cylinder should be certified and monitored by PIV CERT or alternatively by a certifying body according to DIN EN ISO/IEC 17065.

**Size:** 'long' (189.5 mm, cut out 130 mm) or 'short' (164.5 mm, cut out 105 mm)  
**Material:** Zinc die black powder-coated or zinc die grey powder-coated (RAL 7038) or zinc die grey powder-coated (RAL 7038) and anti-graffiti coated

### Mechanical version:

**Profile half cylinder:** 40 mm and 45 mm; set locking cam at 6 or 7 o'clock. At 3 or 5 o'clock push-to-close is not possible.  
**Sealable:** Yes

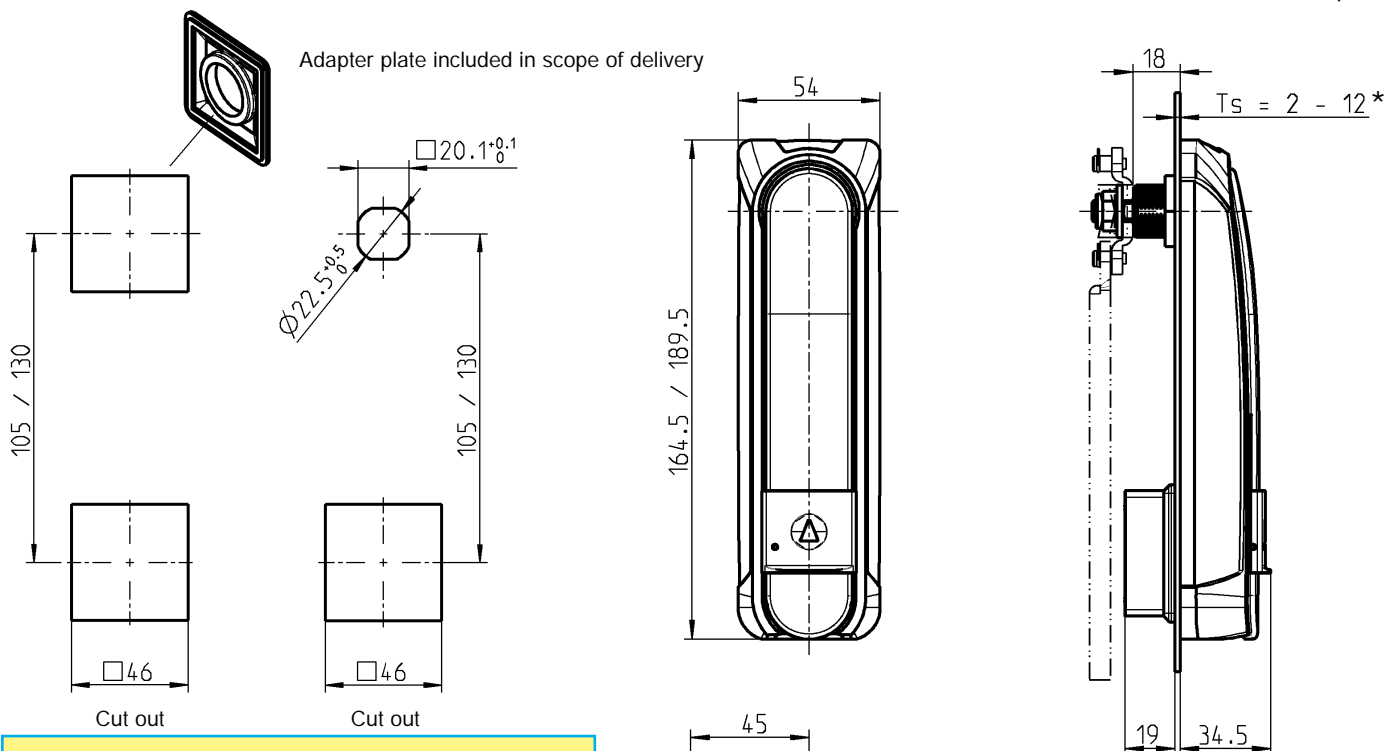
### Electromagnetic version (EL):

**Application range:** Indoor and outdoor from -30°C to +80°C  
**Release:** By applying a 48 V DC signal  
**Power-on time:** Up to 1 minute  
**Display:** Optional by LED  
**Remote monitoring:** Status indication via Reed contact  
**Closing:** Push the handle into the dish until the locking mechanism engages  
**Emergency opening:** Optional with 40 mm or 45 mm profile half cylinder

Version A

Version B

Ts > 6 mm -12 mm on request



### Product benefits

- The swinghandle has successfully passed the test according to RC2 DIN EN 1630
- The IK 10 protection class test in accordance with DIN EN 50102 was successfully passed
- Integrated scratch protection prevents surface damage (handle / dish)
- Tested and approved by Deutsche Telekom

### Attention:

With use of an adapter plate the maximum door gauge (Ts) is 6 mm.

### Note:

If door gauge (Ts) > 6 mm standard round rods cannot be used!

\*\* In case of mechanical and the electromechanical version, only the profile half cylinder according to DIN EN 18252 and DIN EN 1303 can be used.

### Note:

Without profile half cylinder, opening is only possible by temporary key 1004-44-01AA



**Swinghandle 'long' or 'short'**  
dish and handle zinc die surface on request  
shaft brass; cylinder cover polyamide black or grey (RAL 7038);  
cap zinc die black powder coated; adapter plate polyamide GF black for cut out version A;  
blind plug polyamide GF black (loose), spring, data sheet and assembling instruction included  
in the electromechanical version;  
fixing material m.s. zinc-plated; with seal

**Swinghandle 'long' (189.5)**  
**GD-Zn black powder-coated**

Mechanical version for 40 mm profile half cylinder, with additional locking cam position 30°	1317-U122
Mechanical version for 45 mm profile half cylinder	1317-U123
Mechanical version for KABA cylinder type 1514	on request
Electromechanical version optional for 40 and 45 mm profile half cylinder	1317-U161-02

**Swinghandle 'long' (189.5)**  
**zinc die grey powder-coated (RAL 7038)**

Mechanical version for 40 mm profile half cylinder, with additional locking cam position 30°	1317-U122-BO
Mechanical version for 45 mm profile half cylinder	1317-U123-BO

**Swinghandle 'long' (189.5)**  
**zinc die grey powder-coated (RAL 7038) and anti-graffiti coated**

Mechanical version for 40 mm profile half cylinder, with additional locking cam position 30°	1317-U122-HJ
Mechanical version for 45 mm profile half cylinder	1317-U123-HJ
Mechanical version for KABA cylinder type 1514	on request
Electromechanical version optional for 40 and 45 mm profile half cylinder	1317-U161-02HJ

**Swinghandle 'short' (164.5)**  
**zinc die black powder-coated**

Mechanical version for 40 mm profile half cylinder, with additional locking cam position 30°	1317-U102
Mechanical version for 45 mm profile half cylinder	1317-U103
Mechanical version for KABA cylinder type 1514	1317-U131
Electromechanical version optional for 40 and 45 mm profile half cylinder	1317-U151-02

**Swinghandle 'short' (164.5)**  
**zinc die grey powder-coated (RAL 7038)**

Mechanical version for 40 mm profile half cylinder, with additional locking cam position 30°	1317-U102-BO
Mechanical version for 45 mm profile half cylinder	1317-U103-BO

**Swinghandle 'short' (164.5)**  
**zinc die grey powder-coated (RAL 7038) and anti-graffiti coated**

Mechanical version for 40 mm profile half cylinder, with additional locking cam position 30°	1317-U102-HJ
Mechanical version for 45 mm profile half cylinder	1317-U103-HJ
Mechanical version for KABA cylinder type 1514	1317-U131-HJ
Electromechanical version optional for 40 and 45 mm profile half cylinder	1317-U151-02HJ

**Building key polyamide black**

1004-44-01AA



**Note:**  
The electromechanical version is also available in 12 V DC on request.

**Further parts see page**  
– Cam 3YC-120  
– Rod control for cam 3YC-180  
– \*\* Profile half cylinder 3XB-120

# Swinghandle with modular locking system

## PROGRAM 1317

### Single cylinder swinghandle

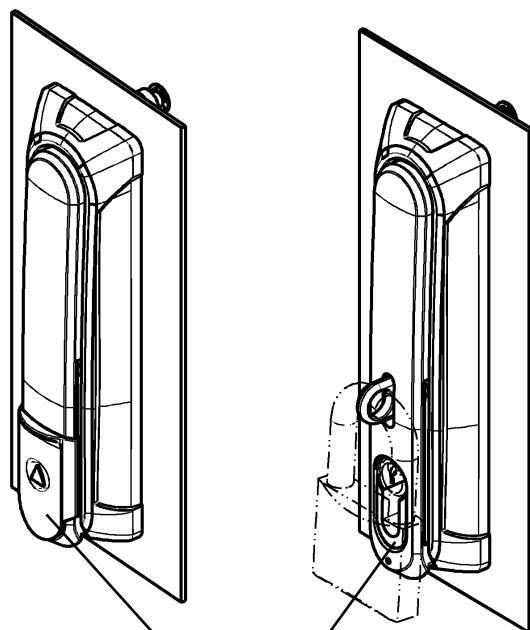
Size: 'long' (188 mm, cut out 130 mm)  
or 'short' (163 mm, cut out 105 mm)

Material: Polyamide GF black

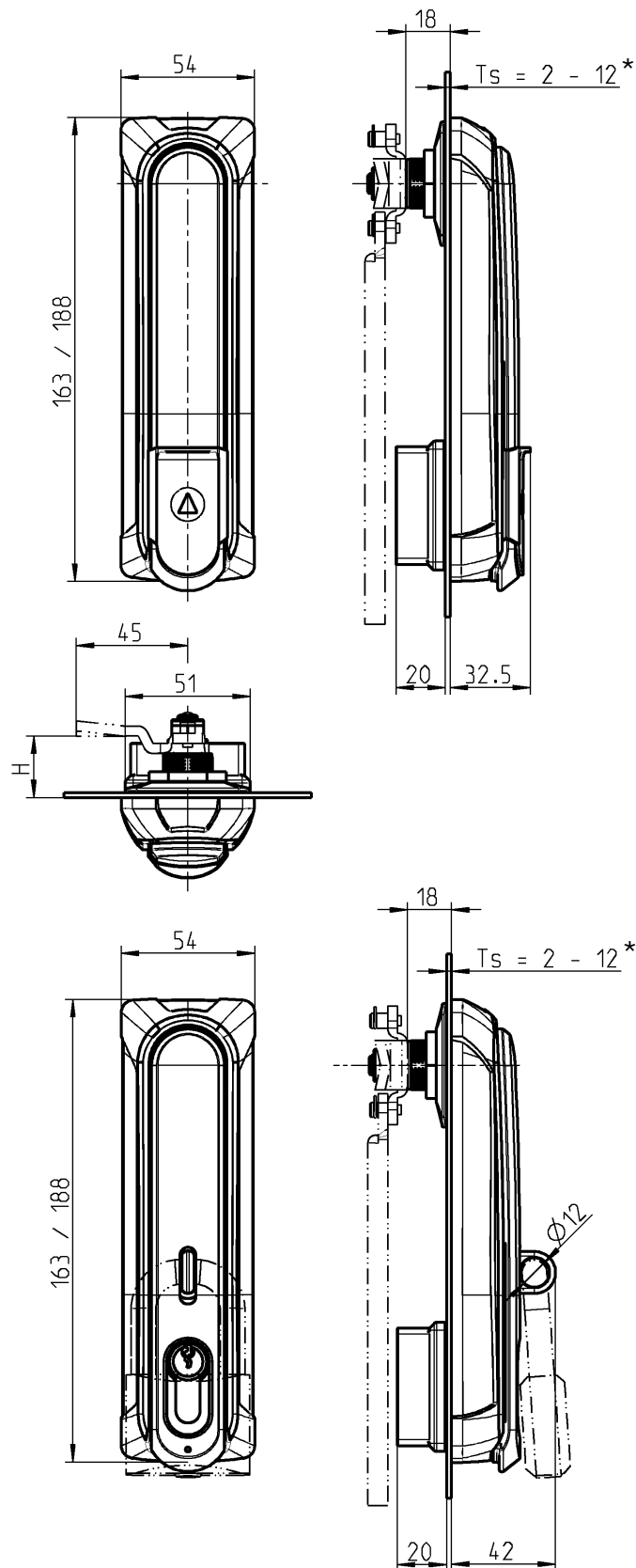
Profile half cylinder: 40 mm  
45 mm

Sealable: Yes, bore hole in dish necessary

Ts > 6 mm - 12 mm on request



with modular locking system



### Attention:

If the adapter plate or the adapter ring is used, the maximum door gauge (Ts) is 6 mm (with cut out version A and C)

### Note:

If door gauge (Ts) > 4 mm standard round rods cannot be used!



### Version A

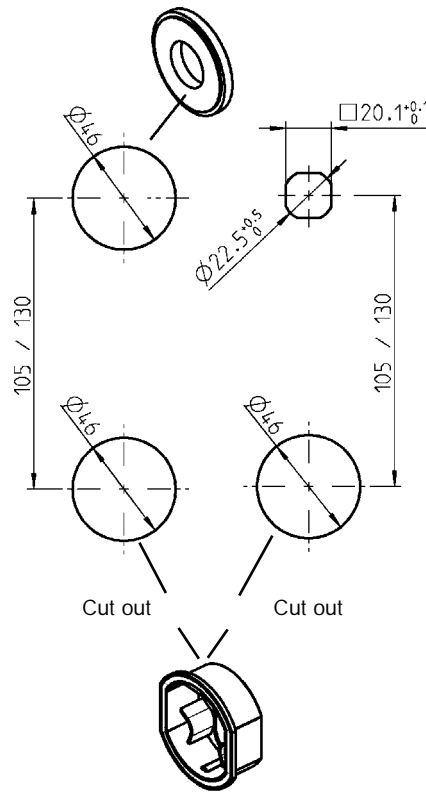
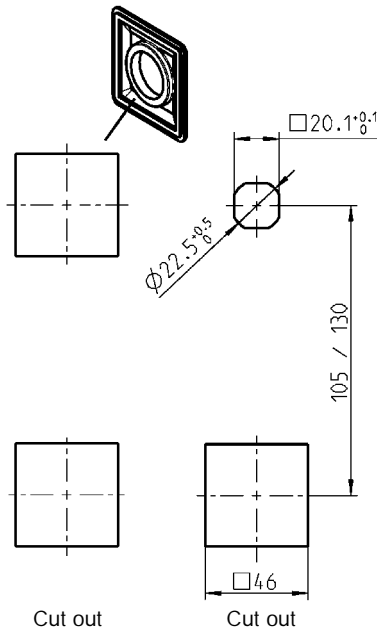
### Version B

### Version C

### Version D

Adapter plate included in scope of delivery

Adapter ring not included in scope of delivery



Cap not included in scope of delivery

### New defined standards

- Ergonomic surface feel
- Variable locking options
- Integrated scratch protection prevents surface damage (handle / dish)

Swinghandle 'long' or 'short' handle polyamide GF black; dish polyamide GF black; cylinder cover polyamide GF black (not for swinghandle for padlock); shaft brass and POM GF black; padlock shackle AISI 316 (for swinghandle for padlock); cap polyamide GF V0 black; adapter plate polyamide GF V0 black for cut out Version A; fixing material m.s. zinc-plated; with seal

	without locking system ❶	with locking set for profile half cylinder ❷	
		40 mm (A = 30 mm)	45 mm (A = 35 mm)
Swinghandle 'long'	1317-U421	1317-U421-01	1317-U423-01
Swinghandle 'long' for padlock	1317-U426	1317-U426-01	on request
Swinghandle 'short'	1317-U401	1317-U401-01	1317-U403-01
Swinghandle 'short' for padlock	1317-U406	1317-U406-01	on request

### required for cut outs C and D

Adapter ring polyamide GF V0 black	1107-53
Cap polyamid V0 black	1107-11-03AA

\* Order screw set separately if Ts = 4 - 12 mm 1107-U170



Locking set for different key systems (see catalogue page 3BA-220)

### Further parts see page

- Profile half cylinder 3XB-120
- Locking set 3XC-120
- Cams 3YC-120
- Rod control for cam 3YC-180

# Double cylinder swinghandle with RC2

## PROGRAM 1317

### Double cylinder swinghandle

Resistance class: RC2 DIN EN 1630, achieved by profile half cylinder according to DIN EN 18252-BZ or DIN EN 1303 with resistance class 2 with protection against drilling and pulling. The profile half-cylinder should be certified and monitored by PIV CERT or alternatively by a certifying body according to DIN EN ISO/IEC 17065.

Size: 'long' (189.5 mm, cut out 130 mm)  
or  
'short' (164.5 mm, cut out 105 mm)

Material: Zinc die black powder-coated  
or  
Zinc die grey powder-coated (RAL 7038) and anti-graffiti coated  
or  
Polyamide GF black  
or  
Polyamide GF grey (RAL 7038)  
or  
Polymide anti-graffiti coated on request

RC2: Swinghandle zinc die

Profile half cylinder: 40 mm and 45 mm; set locking cam at 6 o'clock.  
Profile half cylinder on the right hand also possible at 5 o'clock.

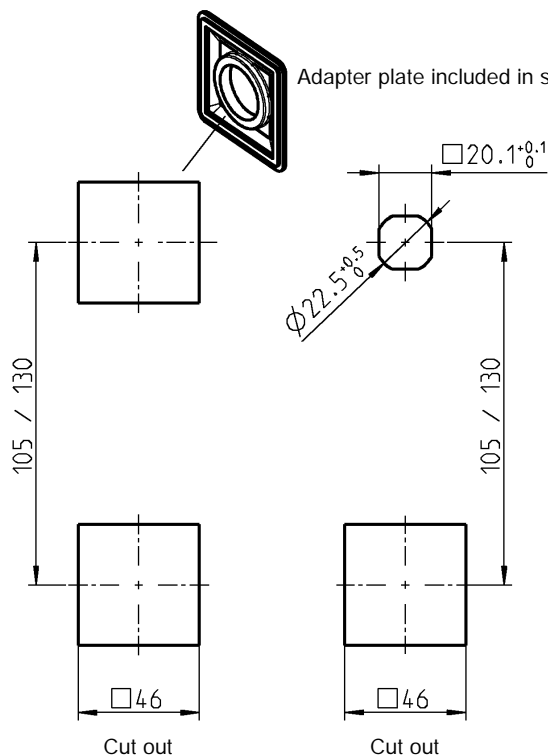
Key removable: Always removable or when handle is put in

Sealable: Yes, bore hole  $\varnothing 2$  mm necessary in handle

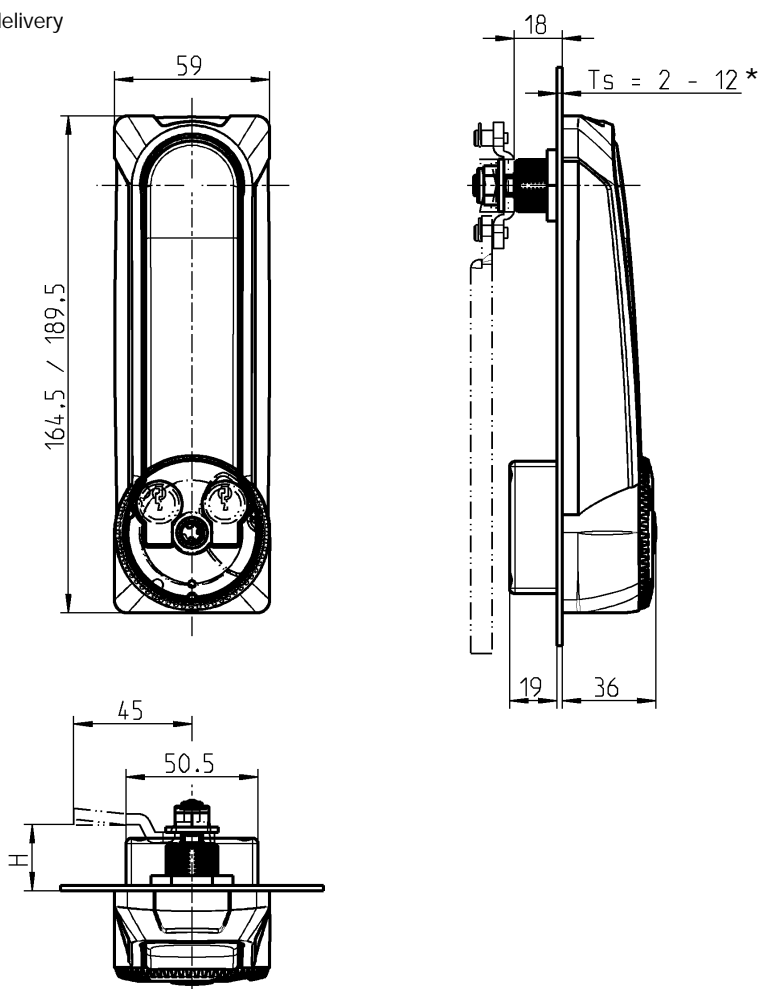


Version A

Version B



Ts > 6 mm - 12 mm on request



#### Product benefits

- Zinc die version fulfills the requirements of resistance class RC2 (protection against vandalism) according to DIN EN 1630
- Great flexibility regarding cost / benefit due to the big variety of types
- Tested and approved by Deutsche Telekom

#### Attention:

With use of an adapter plate the maximum door gauge (Ts) is 6 mm.

#### Note:

If door gauge (Ts) > 6 mm standard round rods cannot be used!

### New defined standards

The swinghandle made of zinc die has successfully passed the test according to RC2 DIN EN 1630. The IK 10 protection class test in accordance with DIN EN 50102 was successfully passed for swinghandles made of zinc die. Integrated scratch protection prevents surface damage (handle / dish)



1 Quarter turns

2 Rod controls

3 Locking systems

4 Hinges

5 Seals

6 Handles

7 Aluminium windows

8 Miscellaneous

9 Special catalogues

Index

Swinghandle 'long' or 'short'  
dish and handle version of choice;  
shaft brass or brass and POM GF black;  
cylinder cover zinc die black-powder coated or grey powder-coated (RAL 7038);  
cap zinc die black powder-coated or polyamide GF V0 black;  
adapter plate Polyamide GF V0 black for cut out version A;  
fixing material m.s. zinc die; with seal and spring

### Swinghandle 'long' (189.5)

Version of choice:

1. Zinc die black powder-coated; cap zinc die black powder-coated; shaft brass
2. Polyamide GF black; cap polyamide GF V0 black; shaft brass and POM GF black

1. Zinc die (RC2); key always removable	1317-U221
1. Zinc die (RC2); key removable when the handle is put in	1317-U222
2. Polyamide; key always removable	1317-U321
2. Polyamide; key removable when the handle is put in	1317-U322

### Swinghandle 'long' (189.5)

Version of choice:

1. Zinc die grey powder-coated (RAL 7038) and anti-graffiti coated; cap zinc die black powder-coated; shaft brass
2. Polyamide GF grey (RAL 7038); cap polyamide GF V0 black; shaft m.s. zinc-plated

1. Zinc die (RC2); key always removable	1317-U221-HJ
1. Zinc die (RC2); key removable when the handle is put in	1317-U222-HJ
2. Polyamide; key always removable	1317-U321-BO
2. Polyamide; key removable when the handle is put in	1317-U322-BO

### Swinghandle 'short' (164.5)

Version of choice:

1. Zinc die black powder-coated; cap zinc die black powder-coated; shaft brass
2. Polyamide GF black; cap polyamide GF V0 black; shaft brass and POM GF black

1. Zinc die (RC2); key always removable	1317-U201
1. Zinc die (RC2); key removable when the handle is put in	1317-U202
2. Polyamide; key always removable	1317-U301
2. Polyamide; key removable when the handle is put in	1317-U302

### Swinghandle 'short' (164.5)

Version of choice:

1. Zinc die grey powder-coated (RAL 7038) and anti-graffiti coated; cap zinc die black powder-coated; shaft brass
2. Polyamide GF grey (RAL 7038); cap polyamide GF V0 black; shaft brass and POM GF black

1. Zinc die (RC2); key always removable	1317-U201-HJ
1. Zinc die (RC2); key removable when the handle is put in	1317-U202-HJ
2. Polyamide; key always removable	1317-U301-BO
2. Polyamide; key removable when the handle is put in	1317-U302-BO

### Building key polyamide black

1004-44-01AA



### Further parts see page

- Cam 3YC-120
- Rod control for cam 3YC-180
- Profile half cylinder 3XB-220

# Swinghandle Outdoor with RC2, mechanical or electromechanical release

## PROGRAM 1317

**Resistance class:** RC2 DIN EN 1630, achieved by profile half cylinder according to DIN EN 18252-BZ or DIN EN 1303 with resistance class 2 with protection against drilling and pulling. The profile half cylinder should be certified and monitored by PIV CERT or alternatively by a certifying body according to DIN EN ISO/IEC 17065.

**Size:** 'short' (164.5 mm, cut out 105 mm)  
**Material:** Zinc die grey powder-coated (RAL 7038), anti-graffiti coating on request

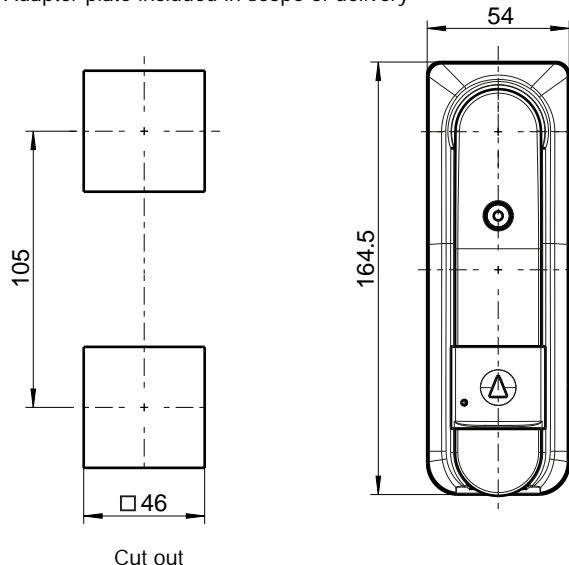
### Mechanical version:

**Profile half cylinder:** 40 mm and 45 mm; set locking cam at 6 or 7 o'clock. At 3 or 5 o'clock push-to-close is not possible.  
**Sealable:** Yes

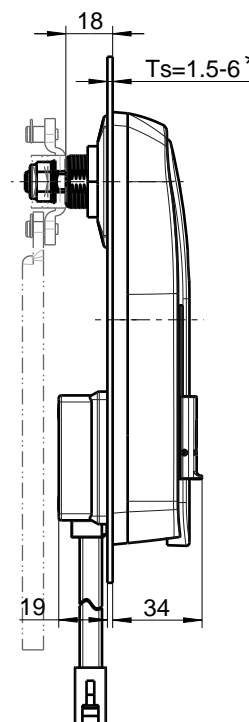
### Electromagnetic version (EL):

**Application range:** Indoor and outdoor from -30°C to +80°C  
**Connection type:** Plug RJ45 with connection cable (4 m)  
**Release:** By applying a 3 - 3.6 V DC signal  
**Wake-up function:** Yes, by push button  
**Display:** By LED  
**Remote monitoring:** Status indication via Reed contact  
**Closing:** Push the handle into the dish until the locking mechanism engages  
**Emergency opening:** Optional with 40 mm or 45 mm profile half cylinder

Adapter plate included in scope of delivery

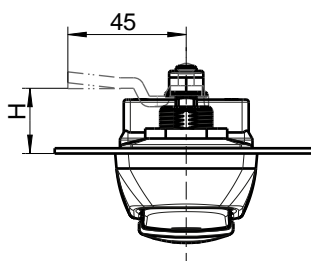


\* Ts > 6 mm - 8 mm on request



### Product benefits

- The swinghandle has successfully passed the test according to RC2 DIN EN 1630
- The IK 10 protection class test in accordance with DIN EN 50102 was successfully passed
- Integrated scratch protection prevents surface damage (handle / dish)




### Note:

Without profile half cylinder, opening is only possible by temporary key  
 1004-44-01AA

### Note:

If door gauge (Ts) > 6 mm standard round rods cannot be used!

\*\* In case of mechanical and the electromechanical version, only the profile half cylinder according to DIN EN 18252 and DIN EN 1303 can be used.

RJ45 plug front view	PIN	Assignment	Wire colours
 87654321	1	Motor V +	white
	2	V -	brown
	3	LED V +	green
	4	Reed contact	yellow
	5	-	grey
	6	Motor position 1	pink
	7	Motor position 2	blue
	8	Button	red

The pins 4, 6, 7, 8 must be provided with a pull-up resistor, pin 5 can be provided with a pull-up resistor.

The motor must be directly controlled by a higher-level controller and can only be moved in one direction.  
To set the lock in the required status (locked/unlocked), not only the motor must be controlled, but also the motor position switches must be interrogated and evaluated.  
The following table serves to identify the corresponding status.

Motor position 1	Motor position 2	Handle status
Logical 0	Logical 1	Locked
Logical 1	Logical 1	Not defined
Logical 1	Logical 0	Unlocked
Logical 1	Logical 1	Not defined
Logical 0	Logical 1	Locked

Whether the lever is open can be queried via Reed contact.  
The button can be used for interaction in any form, just as the LED can be used for indication in any way.

Motor: 3.3 V DC, 48 mA (idle), max. 100 mA  
LED: 3.3 V DC, 30 mA

Swinghandle 'short'  
dish and handle zinc die grey powder-coated (RAL 7038);  
shaft AISI 303;  
cylinder cover polyamide black or grey (RAL 7038);  
cap zinc die black powder-coated;  
adapter plate polyamide GF black;  
locking box ABS black;  
locking pin AISI 303;  
miniature push button with LED;  
cam disk POM black;  
clamp polyamide GF red (transport securing device);  
assembly instruction; data sheet included for electromechanical version;  
fixing material m.s. zinc-plated; with seal and spring

Electromechanical version optional for 40 and 45 mm profile half cylinder with additional locking cam position 30°	1317-U155-BO
Electromechanical version for type KABA 1514	1317-U156-BO
Mechanical version for 40 and 45 mm profile half cylinder, with additional locking cam position 30°	1317-U157-BO
Mechanical version for KABA cylinder type 1514	1317-U158-BO
<b>Building key polyamide black</b>	
	1004-44-01AA



**Note:**  
The electromechanical version is also available in 12 V DC on request.

**Further parts see page**  
– Cam 3YC-120  
– Rod control for cam 3YC-180  
– \*\* Profile half cylinder 3XB-120

Info

1 Quarter turns

2 Rod controls

3 Locking systems

4 Hinges

5 Seals

6 Handles

7 Aluminium windows

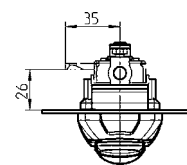
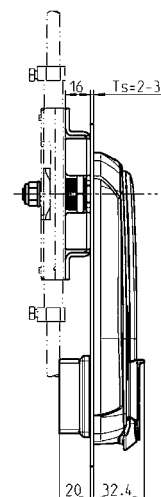
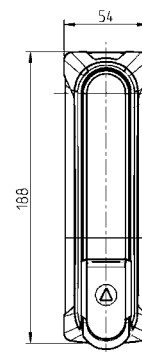
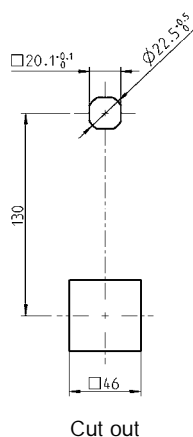
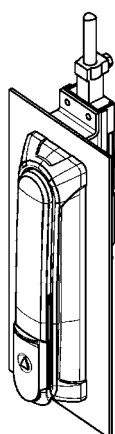
8 Miscellaneous

9 Special catalogues

Index



#### Swinghandle for rod control



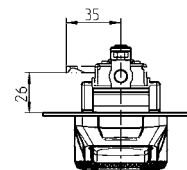
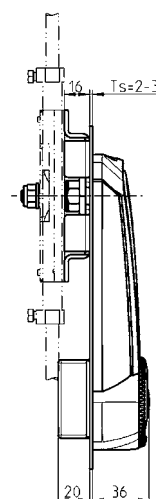
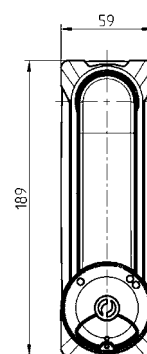
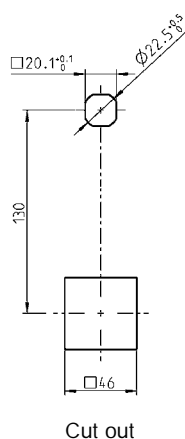
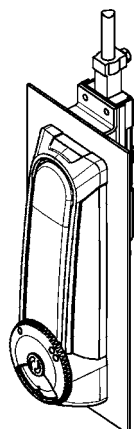
Swinghandle 'long' with modular locking system  
handle and escutcheon polyamide GF black; cylinder cover polyamide GF black;  
shaft brass; cap polyamide GF V0 black;  
locking set for profile half cylinder; with seal

1317-U421-02

Support m.s. zinc-plated

1001-50

#### Double cylinder swinghandle for rod control



Swinghandle 'long'  
handle and dish polyamide GF black;  
cylinder cover zinc die black powder coated;  
shaft brass; cap polyamide GF V0 black;  
fixing material m.s. zinc die; with seal and spring

1317-U321-01

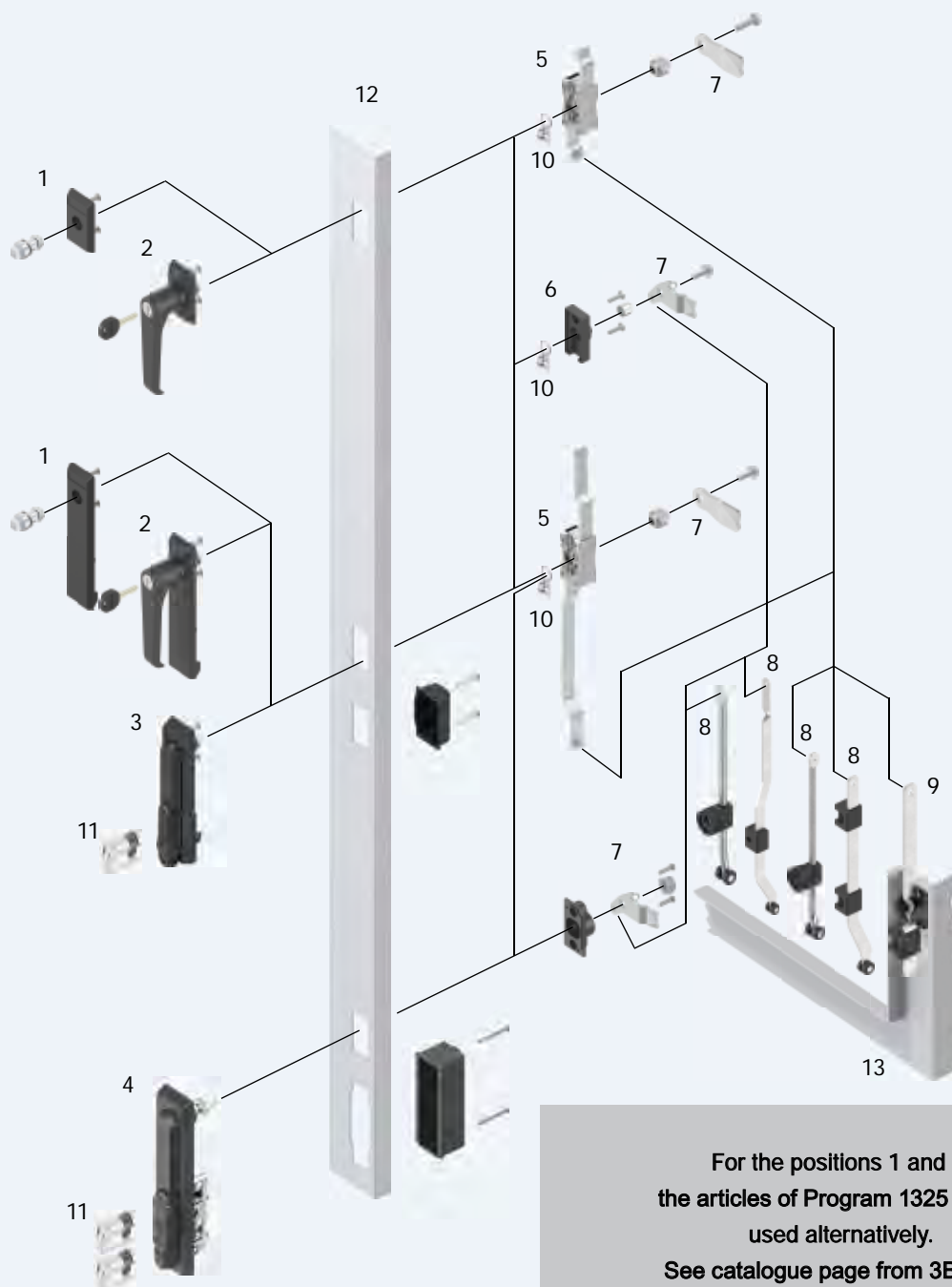
Support m.s. zinc-plated

1001-50

#### Further parts see page

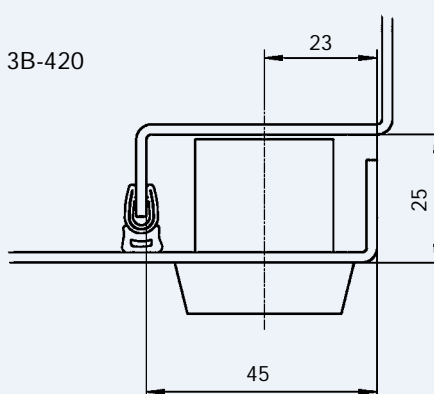
- Rod control 2B-130
- 2B-135
- Profile half cylinder 3XB-120
- Locking set 3XC-120

# Swinghandle and Escutcheon Program 1125



- 1 Escutcheon 1121 with insert
- 2 Escutcheon 1123 with handle
- 3 Swinghandle
- 4 Swinghandle (double cylinder)
- 5 Rod control
- 6 Bearing bush
- 7 Cam
- 8 Rod (inside the sealing)
- 9 Rod (outside the sealing)
- 10 Grounding device
- 11 Profile half cylinder
- 12 Door
- 13 Housing / Frame

- 3B-120
- 3B-180
- 3B-220, 3B-420
- 3B-320



## 3B-100

Info

1 Quarter turns

2 Rod controls

3 Locking systems

4 Hinges

5 Seals

6 Handles

7 Aluminium windows

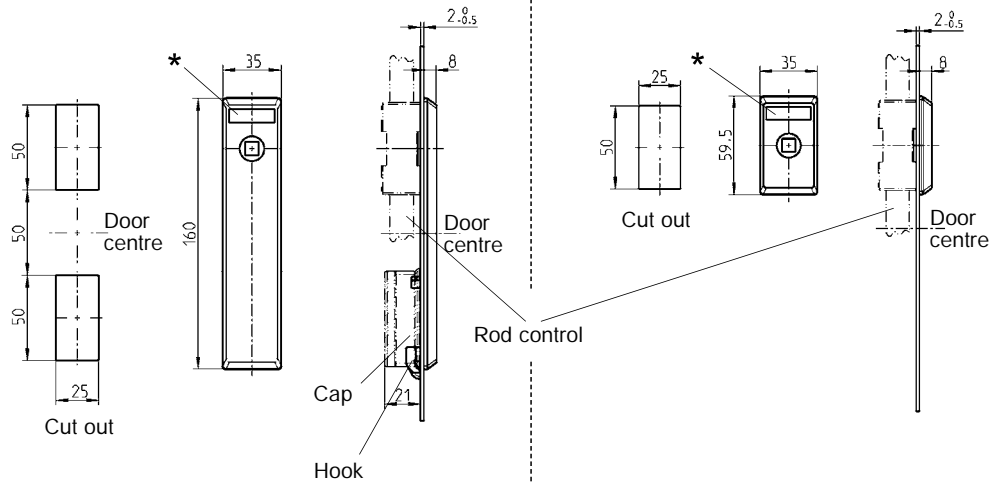
8 Miscellaneous

9 Special catalogues

Index



Escutcheon short



Escutcheon long material of choice, screws m.s. zinc-plated or stainless steel, with seal

Escutcheon short material of choice, screws m.s. z.pl or stainless steel, with seal IP 65

	Hook IP 40	Clip-in cap IP 40	Screw-on cap IP 65	
<b>Polyamide GF black</b>				
for square, triangular Daimler Benz, slot	1121-U19-06	1121-U19-N6	1121-U133-06	1121-U22-06
for double bit	1121-U20-06	1121-U20-N6	1121-U134-06	1121-U23-06
for railway square 9	1121-U19A-06	–	1121-U135-06	1121-U22A-06
for FIAT	1121-U63-06	1121-U63-N6	1121-U132-06	1121-U62-06
<b>AISI 316</b>				
for square, triangular Daimler Benz, slot	–	–	1121-U133-6PH	1121-U22-6PH

Insert material of choice, fixing material m.s. zinc-plated or stainless steel

	Zinc die chrome-plated	AISI 316
Square 6	1121-U11	on request
Square 7	1121-U12	1121-U12-PH
Square 8	1121-U13	on request
Triangular 6.5 CNOMO	1121-U169	on request
Triangular 7	1121-U14	1121-U14-PH
Triangular 8	1121-U15	on request
Double bit 3 **	1121-U16	1121-U16-PH
Double bit 5 **	1121-U17	1121-U17-PH
Square female 8	1121-U167	on request
Daimler Benz	1121-U18	on request
Slot 2 x 4	1121-U123	on request
FIAT	1121-U24	on request
Railway square 9	1121-U72	on request

\* Logo recess: 27 x 8 x 0.5  
Multicolour pad print possible

\*\* made of polyamide on request

Further parts see page

– Key 8B-120  
– Rod control for long version 3YA-110  
3YA-120  
3YA-140

(only with hook) 3YA-190  
Short version 3YA-115  
3YA-160  
– Bearing bush 3YB-120

#### Accessories



Transport safety device polyamide GF black for insert double bit

1121-32

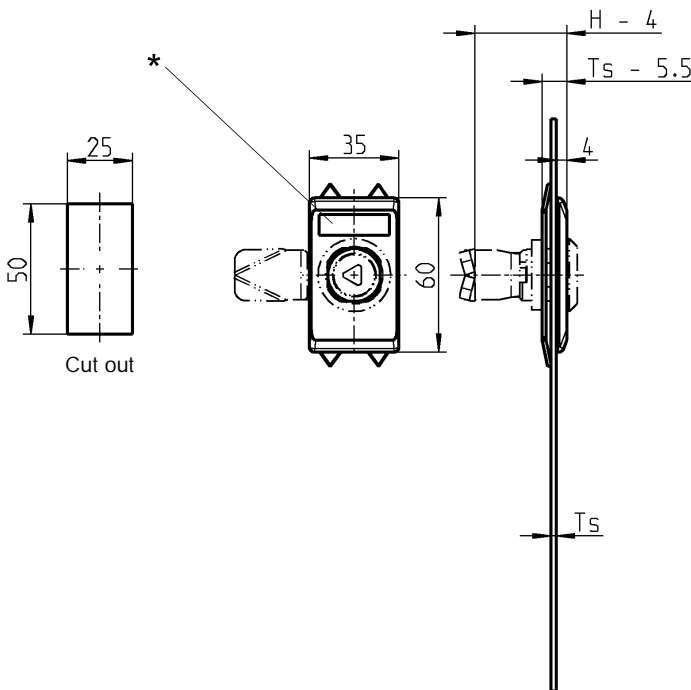
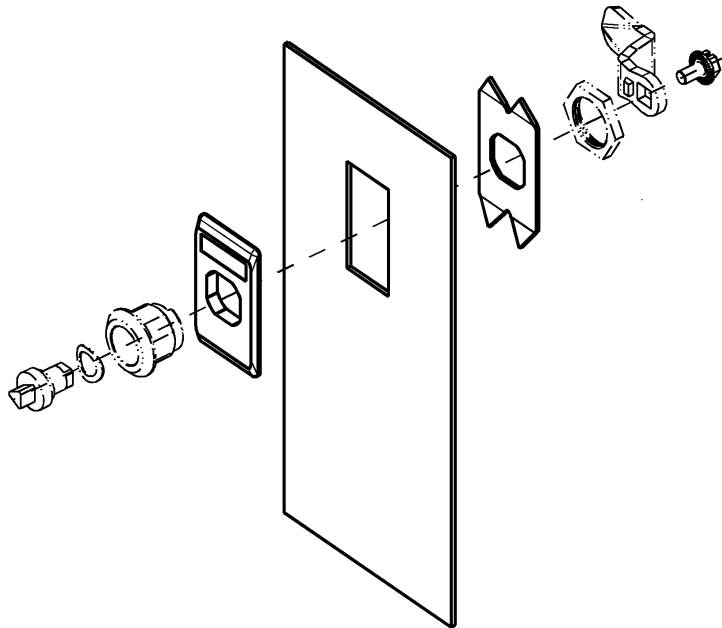
3B-120 11/15

(3A-140)



# Escutcheon for quarter turn, Program 1000

## PROGRAM 1125



\* Logo recess: 27 x 8 x 0.5  
Multicolour pad print possible

**Attention:**  
Dimension H of the cam reduces by 4 mm, dimension Ts of the housings by 5.5 mm

**Note:**  
IP 65 achieved by quarter turn with with protection class IP 65

**Further parts see page**

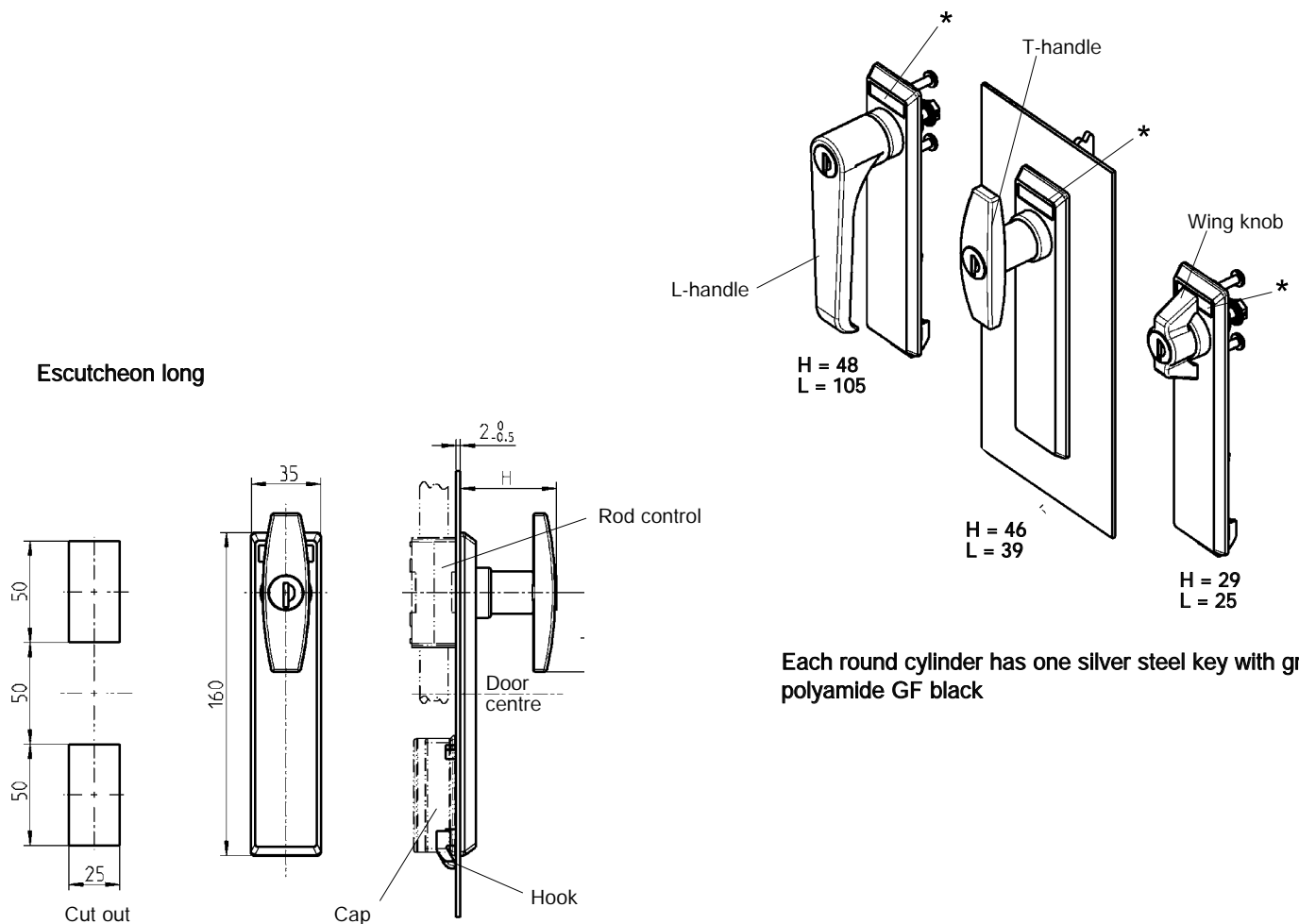
- Quarter turns
- 1B-120
- 1B-140
- 1B-210
- up to 1B-320
- 1B-360
- up to 1B-620
- 1B-680
- 1B-860

Escutcheon polyamide black, earthing plate m.s. zinc-plated, with seal

1121-U168

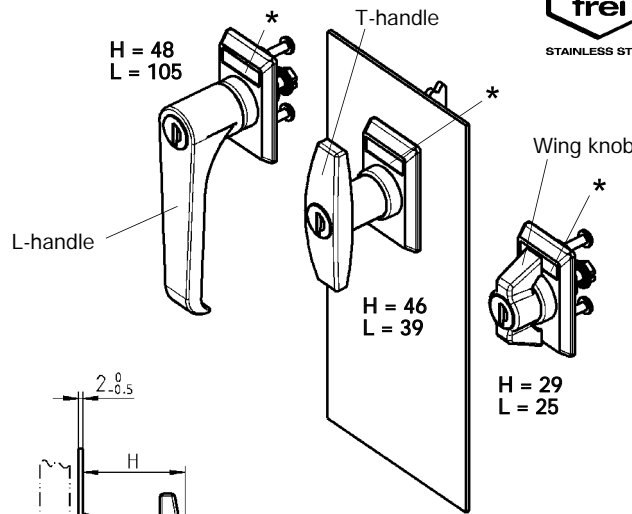
## Escutcheon 1123 with handle

## PROGRAM 1125

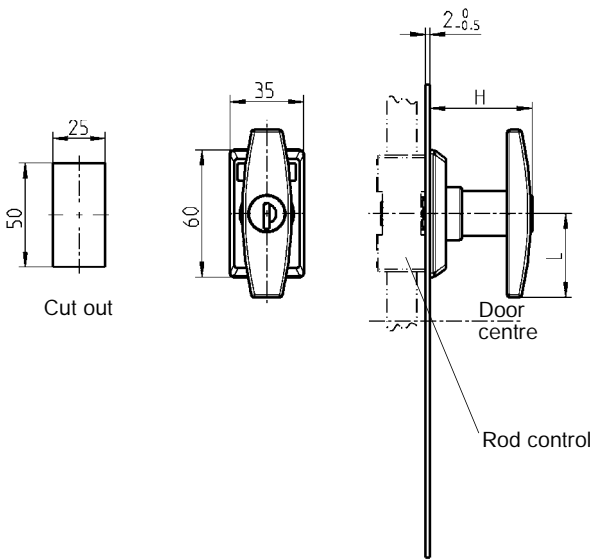


Escutcheon long polyamide GF black, fixing material m.s. zinc-pl. or stainless steel, with seal

	Hook IP 40	Clip-in cap IP 40	Screw-on cap IP 65
<b>Wing knob zinc die black powder-coated</b>			
non locking	1123-U1-06	1123-U1-N6	1123-U25-06
keyed EK 333	1123-U2-06	1123-U2-N6	1123-U26-06
keyed different	1123-U3-06	1123-U3-N6	1123-U27-06
<b>Wing knob AISI 316</b>			
non locking	1123-U41-06	1123-U41-N6	1123-U42-06
<b>T-Handle zinc die black powder-coated</b>			
non locking	1123-U7-06	1123-U7-N6	1123-U28-06
keyed EK 333	1123-U8-06	1123-U8-N6	1123-U29-06
keyed different	1123-U9-06	1123-U9-N6	1123-U30-06
prepared for KABA 1036	1123-U21-06	-	-
<b>T-handle AISI 316</b>			
non locking	1123-U38-06	1123-U38-N6	1123-U39-06
<b>L-handle zinc die black powder-coated</b>			
non locking	1123-U13-06	1123-U13-N6	1123-U31-06
keyed EK 333	1123-U14-06	1123-U14-N6	1123-U32-06
keyed different	1123-U15-06	1123-U15-N6	1123-U33-06
prepared for KABA 1036	1123-U19-06	-	-
<b>L-handle AISI 316</b>			
non locking	1123-U34-06	1123-U34-N6	1123-U35-06



**Escutcheon short**



**Escutcheon short polyamide GF black, fixing material m.s. zinc-pl. or stainless steel, with seal IP 65**

<b>Wing knob zinc die black powder-coated</b>	
non locking	1123-U4-06
keyed EK 333	1123-U5-06
keyed different	1123-U6-06

<b>Wing knob AISI 316</b>	
non locking	1123-U40-06

<b>T-Handle zinc die black powder-coated</b>	
non locking	1123-U10-06
keyed EK 333	1123-U11-06
keyed different	1123-U12-06
prepared for KABA 1036	1123-U22-06

<b>T-handle AISI 316</b>	
non locking	1123-U37-06

<b>L-handle zinc die black powder-coated</b>	
non locking	1123-U16-06
keyed EK 333	1123-U17-06
keyed different	1123-U18-06
prepared for KABA 1036	1123-U20-06

<b>L-handle AISI 316</b>	
non locking	1123-U36-06

\* Logo recess: 27 x 8 x 0.5  
Multicolour pad print possible

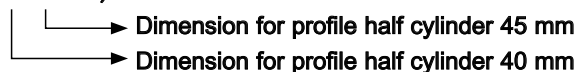
**Further parts see page**

- Key 8B-120
- Spare key 8B-140
- Rod control for long version 3YA-110, 3YA-120, 3YA-140, (only with hook) 3YA-190
- Short version 3YA-115, 3YA-160
- Bearing bush 3YB-120
- Dust cap for T-handle 1C-340

## Swinghandle

## PROGRAM 1125

Example:

<sup>3)</sup> (21/26 mm)

**Swinghandle for profile half cylinder polyamide GF black, shaft zinc die zinc-plated, fixing material m.s. zinc-plated, with seal**

	Clip-in cap IP 40		Screw-on cap IP 65		Hook IP 40	
	with Cylinder cover	without Cylinder cover	with Cylinder cover	without Cylinder cover	with Cylinder cover	without Cylinder cover
for half cylinder 40 mm <sup>3)</sup> (21)	1125-U191-NA	1125-U190-NA	1125-U191-A	1125-U190-A	1125-U186-A	1125-U185-A
for half cylinder 45 mm <sup>3)</sup> (26)	1125-U196-NA	1125-U195-NA	1125-U196-A	1125-U195-A	1125-U194-A	1125-U193-A
Insert for padlock	(only with swinghandle 1125-U190-A)			1125-73	-	-
with cylinder (Berlin version)	-	-	-	-	1125-U276-A	1125-U275-A
for ASSA cylinder	-	-	1125-U198-A	-	-	-

**Swinghandle for profile half cylinder zinc die black powder-coated, cap polyamide black, with seal**

for half cylinder 40 mm <sup>3)</sup> (21)	-	-	1125-U191-AQA	on request	-	-
--	---	---	---------------	------------	---	---

**Swinghandle for profile half cylinder AISI 316, shaft AISI 303, cap polyamide black, with seal (IP 66)**

for half cylinder 40 mm <sup>3)</sup> (21)	-	-	1125-U191-APH	on request	-	-
--	---	---	---------------	------------	---	---

**Swinghandle polyamide GF black with insert double bit, zinc die chrome-plated, shaft zinc die zinc-plated, fixing material m.s. zinc-plated, with seal**

	Clip-in cap IP 40	Screw-on cap IP 65
Double bit 3 (key 1004-05) <sup>1) 2)</sup>	1125-U236-NA	1125-U236-A
Double bit 5 (key 1004-06) <sup>1) 2)</sup>	1125-U239-NA	1125-U239-A

**Swinghandle polyamide GF black, with round cylinder incl. stainless steel cap and dust cap or insert m.s. zinc-plated, shaft zinc die chrome-plated, fixing material m.s. zinc plated, with seal. Each round cylinder has one silver steel key with grip polyamide GF black**

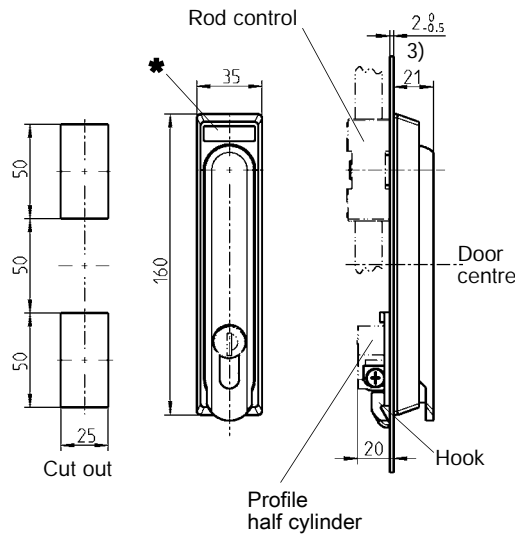
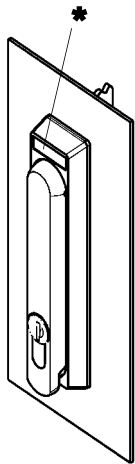
	Clip-in cap IP 40		Screw-on cap IP 65		Hook IP 40
	with Cylinder cover	without Cylinder cover	with Cylinder cover	without Cylinder cover	without Cylinder cover

Round cylinder keyed EK 333	1125-U206-NA	1125-U202-NA	1125-U206-A	1125-U202-A	1125-U268-A
Round cylinder keyed different	1125-U207-NA	1125-U203-NA	1125-U207-A	1125-U203-A	1125-U269-A
Square 6 <sup>1)</sup>	1125-U242-NA	1125-U210-NA	1125-U242-A	1125-U210-A	on request
Square 7 <sup>1) 2)</sup>	1125-U243-NA	1125-U211-NA	1125-U243-A	1125-U211-A	on request
Square 8 <sup>1) 2)</sup>	1125-U244-NA	1125-U212-NA	1125-U244-A	1125-U212-A	on request
Square 8 slotted	1125-U245-NA	1125-U213-NA	1125-U245-A	1125-U213-A	on request

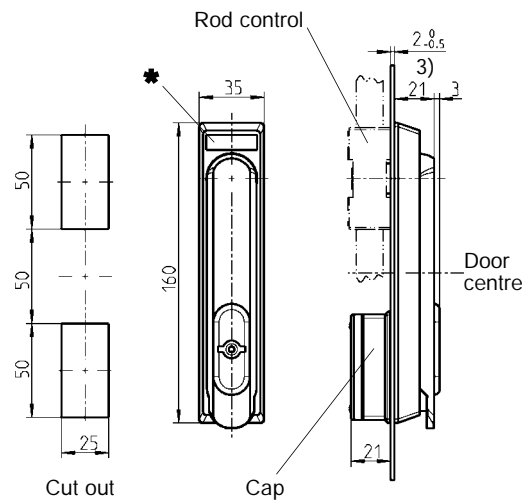
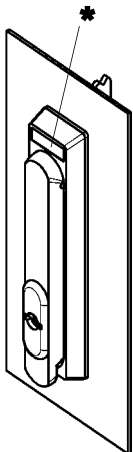
Triangular 6.5 CNOMO	1125-U246-NA	1125-U214-NA	1125-U246-A	1125-U214-A	on request
Triangular 7 <sup>1)</sup>	1125-U247-NA	1125-U215-NA	1125-U247-A	1125-U215-A	on request
Triangular 8 <sup>1) 2)</sup>	1125-U248-NA	1125-U216-NA	1125-U248-A	1125-U216-A	on request
Triangular 9	1125-U249-NA	1125-U217-NA	1125-U249-A	1125-U217-A	on request
Triangular 10	1125-U250-NA	1125-U218-NA	1125-U250-A	1125-U218-A	on request
Hexagon female SW 10	1125-U251-NA	1125-U219-NA	1125-U251-A	1125-U219-A	on request

Square female 6	1125-U252-NA	1125-U220-NA	1125-U252-A	1125-U220-A	on request
Square female 8	1125-U253-NA	1125-U221-NA	1125-U253-A	1125-U221-A	on request
Daimler Benz	1125-U254-NA	1125-U222-NA	1125-U254-A	1125-U222-A	on request
Slot 1.2 x 3	1125-U255-NA	1125-U223-NA	1125-U255-A	1125-U223-A	on request
Slot 2 x 4 <sup>1) 2)</sup>	1125-U256-NA	1125-U224-NA	1125-U256-A	1125-U224-A	on request
Crown type	1125-U257-NA	1125-U225-NA	1125-U257-A	1125-U225-A	on request
Eastern Europe Ø 13 half-round	1125-U282-NA	1125-U283-NA	1125-U282-A	1125-U283-A	on request

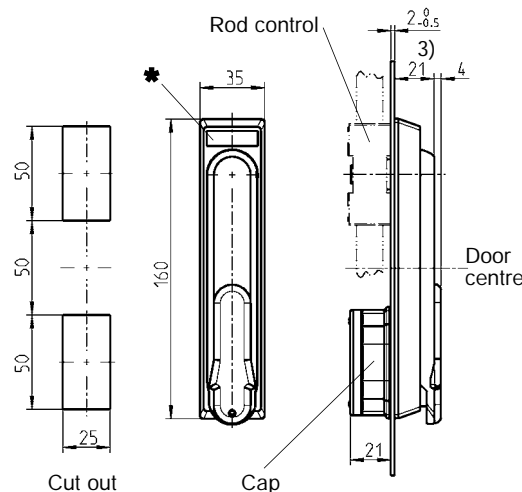
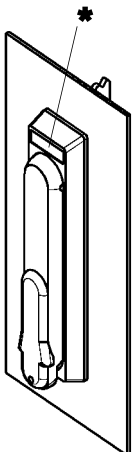
### Swinghandle for profile half cylinder



### Swinghandle with double bit



### Swinghandle with round cylinder or insert



\* Logo recess: 27 x 8 x 0.5  
Multicolour pad print possible

#### Further parts see page

- Key 8B-120
- Rod control 3YA-110
- 3YA-120
- 3YA-140
- (only with hook) 3YA-190
- Bearing bush 3YB-120
- Profile half cylinder 3XB-120

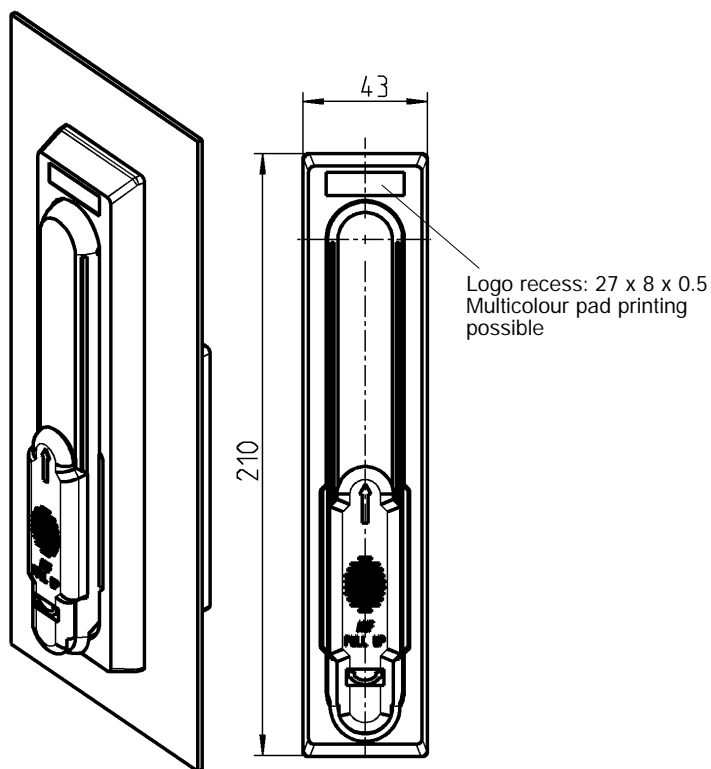
#### On request insert in

- <sup>1)</sup> Zinc die black powder-coated
- <sup>2)</sup> Polyamide black
- Cap without foamed seal for small bending area on request
- EMC version

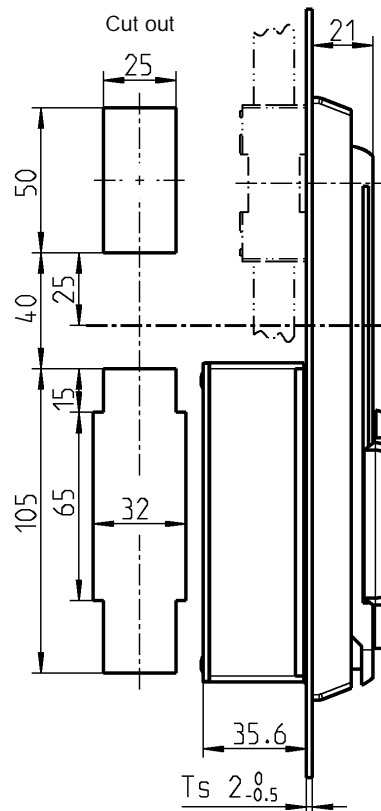
# Swinghandle

## PROGRAM 1125

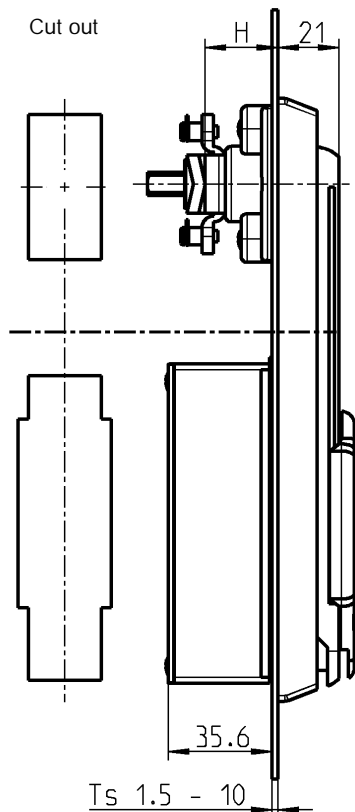
### Double and single profile half cylinder swinghandle



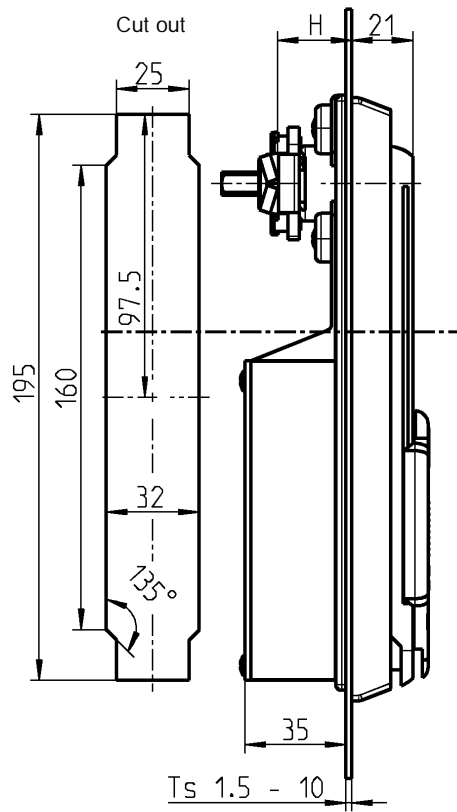
Version A

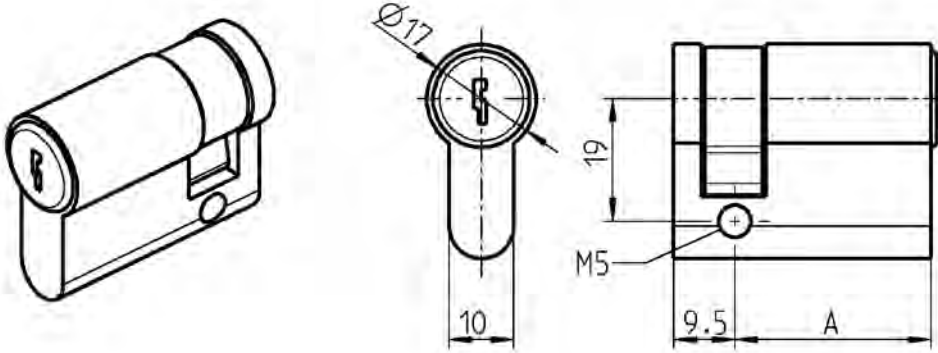


Version B

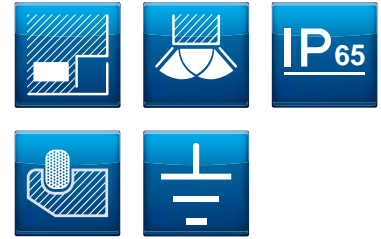


Version C





Double and single profile half cylinder swinghandle suitable for profile half cylinder with A = 30 and 35



1 Quarter turns

2 Rod controls

3 Locking systems

4 Hinges

5 Seals

6 Handles

7 Aluminium windows

8 Miscellaneous

9 Special catalogues

Index

Earthing possible with version A!



**Swinghandle for profile half cylinder polyamide GF black, shaft brass, lock zinc die, spring spring steel zinc-plated. fixing material m.s. zinc-plated or stainless steel, with seal**

**Version A for rod control**

Double cylinder swinghandle with one-key operation, key always removable	1125-U51-A
Single cylinder swinghandle, key always removable	1125-U55-A
Double cylinder swinghandle with one-key operation, key removable when the handle is put in	1125-U53-A

**Version B with bearing bush**

Double cylinder swinghandle with one-key operation, key always removable	1125-U57-A
Single cylinder swinghandle, key always removable	1125-U58-A
Double cylinder swinghandle with one-key operation, key removable when the handle is put in	1125-U56-A
Double cylinder swinghandle with 2-key operation, key removable when the handle is put in	1125-U289

**Version C with bearing bush**

Double cylinder swinghandle with one-key operation, key always removable	1125-U60-A
Single cylinder swinghandle, key always removable	1125-U61-A
Double cylinder swinghandle with one-key operation, key removable when the handle is put in	1125-U59-A

**1-key operation**

Handle can be opened when one cylinder is unlocked. Removability of the key according to choice of the version.

**2-key operation**

The handle can only be opened when both cylinders are unlocked. The keys are only removable when the handle is put in.

**The 2-key operation is set as RH version. For profile half cylinder A = 30.**

**Further parts see page**

– Rod control for version A	3YA-220 3YA-240
– Cam for version B	3YC-120
– Rod control for cam for version B	3YC-180
– Cam for version C (H = 25 for Ts = 2)	3YC-140
– Profile half cylinder	3XB-220

### Swinghandle PROGRAM 1125

Info

1 Quarter turns



2 Rod controls



3 Locking systems



4 Hinges



5 Seals

**Further parts see page**

- Bearing bush 3YB-120
- Rod control 3YA-110
- 3YA-120
- 3YA-140
- Profile half cylinder 3XB-120

\* Logo recess: 27 x 8 x 0.5  
Multicolour pad print possible

6 Handles



7 Aluminium windows

8 Miscellaneous

**Note:**  
Swinghandle for CNOMO can only be used outside the sealing!

9 Special catalogues

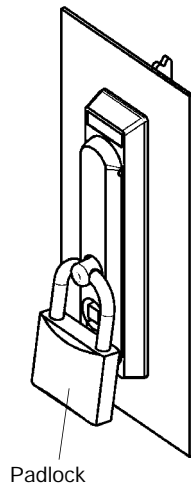
**Further parts see page**

- Rod control 3YA-110
- 3YA-120
- Profile half cylinder 3XB-120

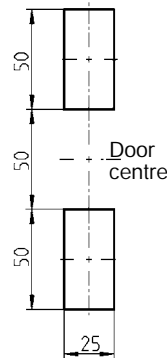
Index

**3B-420** 11/15  
(3J-260)

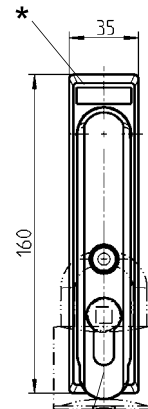
#### Swinghandle for padlock



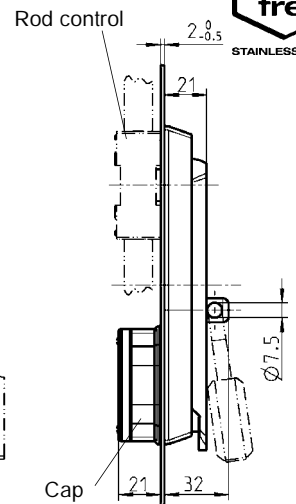
Padlock



Cut out



Profile half cylinder



Cap



Swinghandle for profile half cylinder 40 mm polyamide GF black; shaft zinc die zinc-plated; padlock shackle AISI 303; fixing material m.s. zinc-plated; with seal

1125-U184-A

Swinghandle for profile half cylinder 40 mm AISI 316; shaft and padlock shackle AISI 303; cap polyamide black, with seal

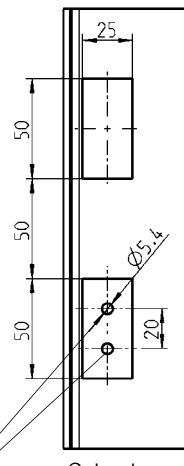
1125-U184-APH

**Version Ford achieved with**

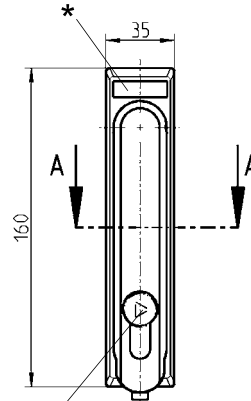
Profile half cylinder (square 7)

1109-U5-N

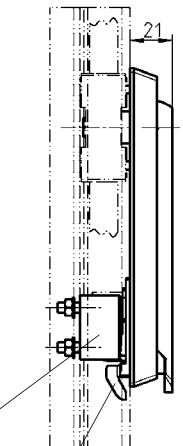
#### Swinghandle for CNOMO



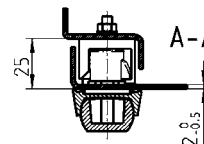
Cut out



Catch



Hook



Bore holes symmetrical to cut out of swinghandle

CNOMO standard type 1 realised by snap cylinder (triangular 6.5) 1109-U17-NC

**Handle is spring-loaded and can only be locked if the door is completely closed.**

Swinghandle for profile half cylinder 40 mm polyamide GF black; catch and shaft zinc die zinc-plated; fixing m.s. zinc-plated

without cylinder cover

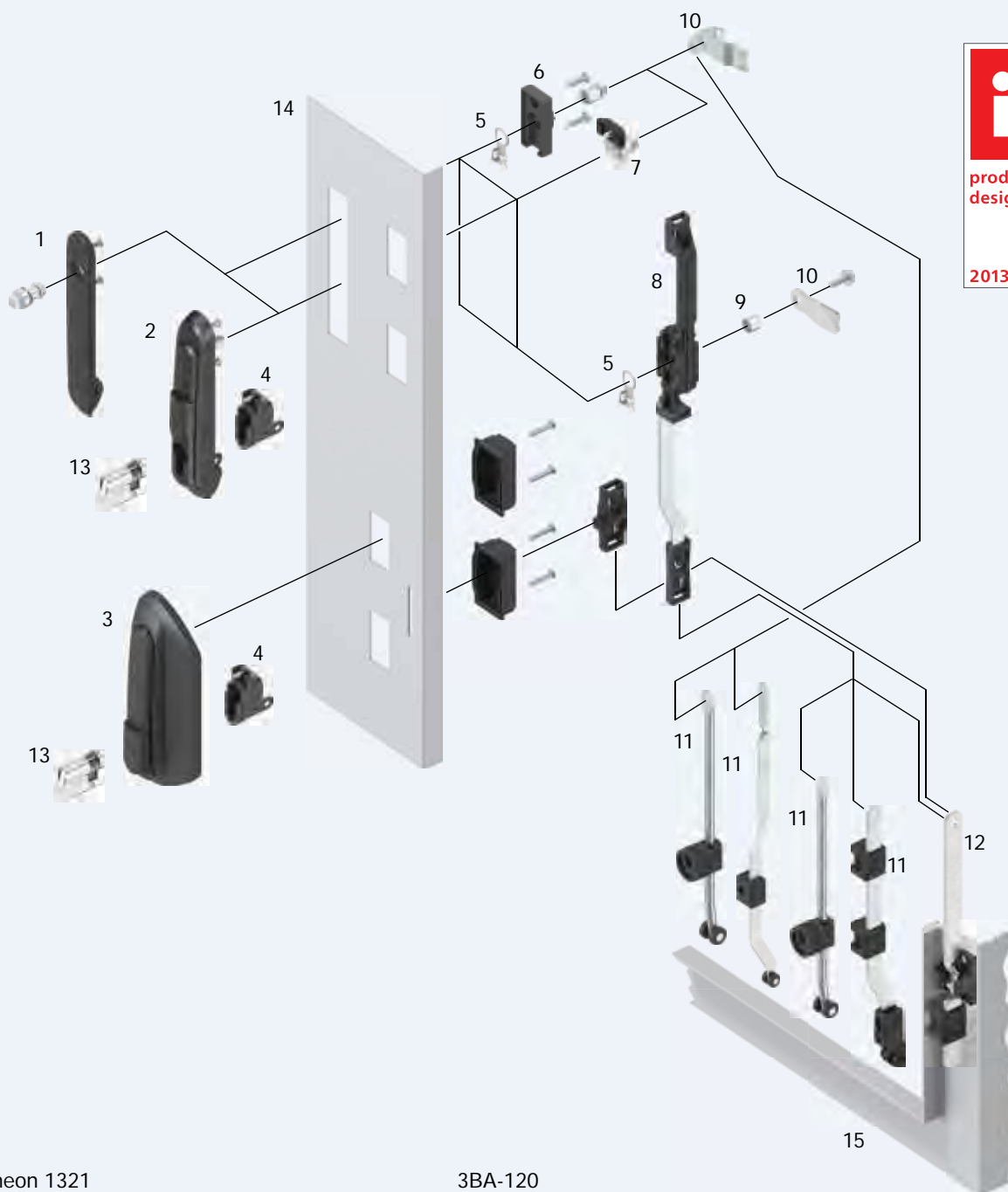
1125-U200-A

with cylinder cover

1125-U201-A

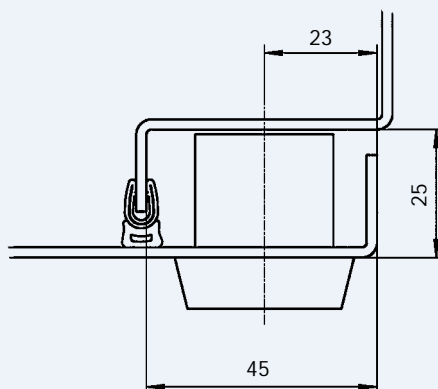


# Swinghandle and Escutcheon Program 1325



- 1 Escutcheon 1321
- 2 Swinghandle
- 3 Swinghandle for narrow bending area
- 4 Locking set
- 5 Grounding device
- 6 Bearing bush for escutcheon
- 7 Adapter for swinghandle
- 8 Rod control
- 9 Adapter
- 10 Cam
- 11 Rod (inside the sealing)
- 12 Rod (outside the sealing)
- 13 Locking set, e.g. profile half cylinder
- 14 Door
- 15 Housing / Frame

- 3BA-120
- 3BA-220
- 3BA-320



## 3BA-100

Info

1 Quarter turns



2 Rod controls



3 Locking systems



4 Hinges

5 Seals

6 Handles

7 Aluminium windows

8 Miscellaneous

Multicolour pad printing possible

9 Special catalogues

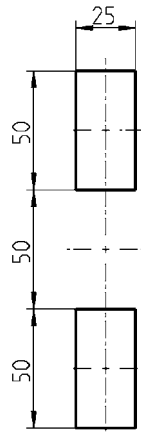
Further parts see page

- Key 8B-120
- Rod control 3YA-110
- 3YA-120
- 3YA-140
- (only with hook and cut out version A) 3YA-190
- Bearing bush 3YB-120

Index

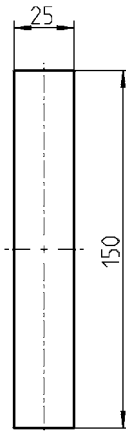
3BA-120 11/15

Version A

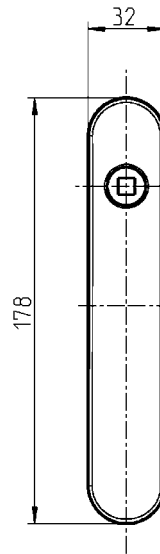


Cut out

Version B

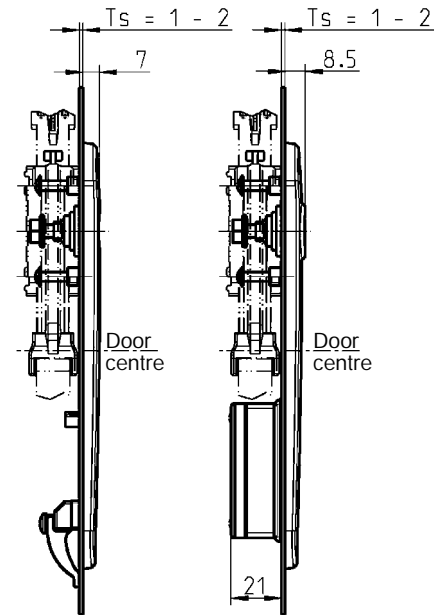


Cut out



for square, triangular,  
Daimler Benz, slot

for double bit



Examples of combinations

Escutcheon polyamide GF black;  
hook or cap polyamide GF black; screws zinc-plated

	Hook; IP 40	Cap; IP 65 with cut out version A
for square, triangular, Daimler Benz, slot	1321-U1	1321-U3
for double bit	1321-U2	1321-U4
for railway square 9	on request	on request
for FIAT	on request	on request
<b>Insert zinc die chrome-plated; fixing material m.s. zinc-plated</b>		
Square 6		1121-U11
Square 7		1121-U12
Square 8		1121-U13
Triangular 6.5 CNOMO		1121-U169
Triangular 7		1121-U14
Triangular 8		1121-U15
Double bit 3		1121-U16
Double bit 5		1121-U17
Square female 8		1121-U167
Daimler Benz		1121-U18
Slot 2 x 4		1121-U123
FIAT		1121-U24
Railway square 9		1121-U72

#### Accessories



Transport safety device polyamide GF black for insert double bit

1121-32

# Swinghandle short with variable use of locking sets

PROGRAM 1325



1 Quarter turns

2 Rod controls

3 Locking systems

4 Hinges

5 Seals

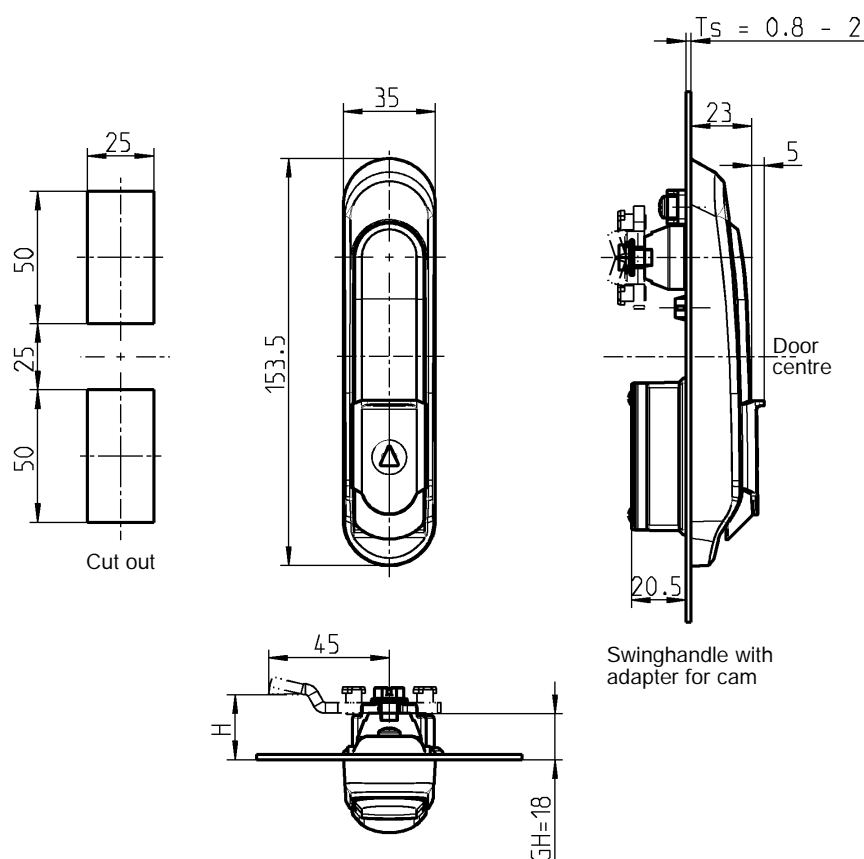
6 Handles

7 Aluminium windows

8 Miscellaneous

9 Special catalogues

Index



Swinghandle with adapter for cam



Adapter for cam 1325-U101, order separately

### Product benefits

- Flat design (23 mm + 5 mm dust protection slider)
- Pre-assembled swinghandle and dish
- Easy exchangeable locking unit inserts (locking sets)
- Spring-mounted handle
- Plastic parts protruding into the cabinet are of low flammability (PA 6 GF 30 V0)
- Patented

Rod control on request

Swinghandle handle and escutcheon polyamide GF black; cylinder cover polyamide GF black; shaft zinc die zinc plated; circlip m.s. zinc plated; cap polyamide GF black; fixing material m.s. zinc plated; with spring and seal

(Please order locking set separately)	without locking set
Swinghandle with cap; IP 65	1325-U22
Adapter for cam PBT GF V0 black; bridge bar polyamide GF V0 black; fixing material m.s. zinc-plated	1325-U101

Multicolour pad printing possible

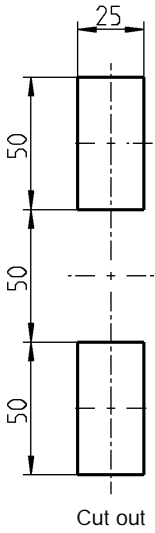
Swinghandle without cylinder cover on request

**Further parts see page**  
 – Locking set 3XC-120  
 – Cams (for adapter) 3YC-120  
 – Rod control on request  
 – Cam for rod control (2-point latch system) 3YA-840

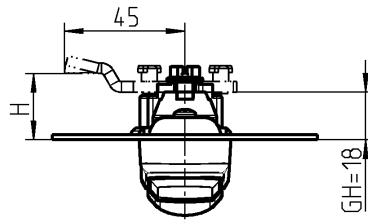
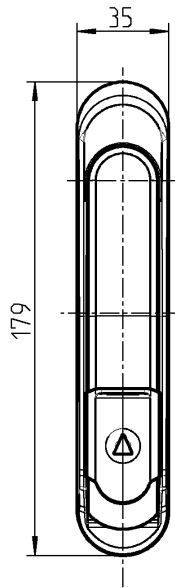
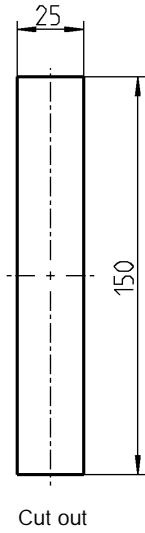
# Swinghandle with variable use of locking sets

## PROGRAM 1325

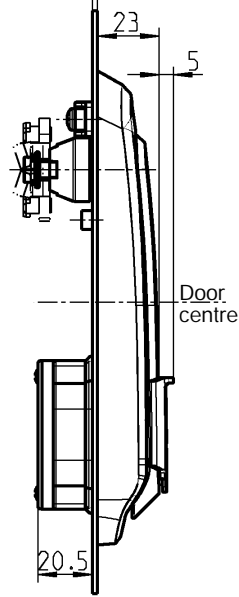
Version A



Version B

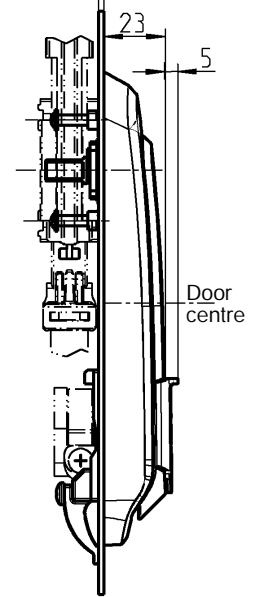


Ts = 0.8 - 2



Swinghandle with cap and adapter for cam

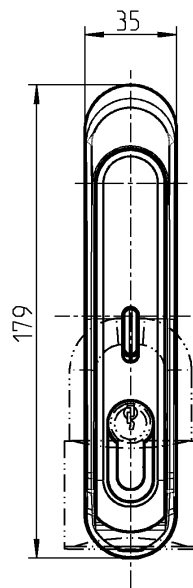
Ts = 0.8 - 2



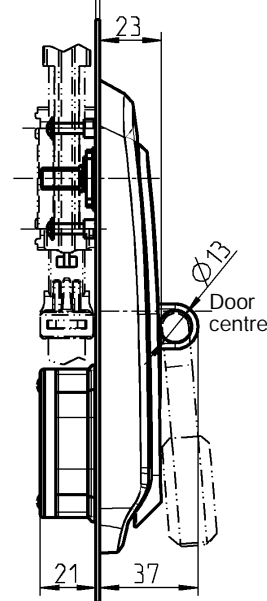
Swinghandle with hook for rod control

Examples of combinations

Adapter for cam 1325-U101, order separately



Ts = 0.8 - 2



Swinghandle with cap and for padlock and for rod control



### Module for different locking sets



### Product benefits

- Flat design (23 mm + 5 mm dust protection slider)
- IP 65 when fixed with cap, IP 40 when fixed with hook
- For standard cut out
- Pre-assembled swinghandle and dish
- Easy exchangeable locking unit inserts (locking sets)
- Spring-mounted handle
- Plastic parts protruding into the cabinet are of low flammability (PA 6 GF 30 V0)
- Patented

**Swinghandle for rod control handle and dish polyamide GF black; cylinder cover polyamide GF black (not for swinghandle for padlock); shaft zinc die zinc-plated; circlip m.s. zinc-plated; hook or cap polyamide GF black; padlock device AISI 316; fixing material m.s. zinc-plated; with spring and seal**

	without locking set <sup>(1)</sup>	with locking set for profile half cylinder 40 mm (A = 30 mm) <sup>(3)</sup>
<sup>(1)</sup> (Please order locking set separately)		
<sup>(2)</sup> (with cut out version A)		
<sup>(3)</sup> (In case of profile half cylinder the locking cam must be set to 90°)		
Swinghandle with hook; IP 40	1325-U1	1325-U1-01
Swinghandle with cap; IP 65 <sup>(2)</sup>	1325-U2	1325-U2-01
Swinghandle with hook and for padlock; IP 40	1325-U3	1325-U3-01
Swinghandle with cap and for padlock; IP 65 <sup>(2)</sup>	1325-U4	1325-U4-01

**Adapter for cam PBT GF V0 black; bridge bar polyamide GF V0 black; fixing material m.s. zinc-plated**

1325-U101

Multicolour pad printing possible

Swinghandle without cylinder cover on request

- Further parts see page**
- Profile half cylinder 3XB-120 (Blind plug without spring-loaded ball not usable)
  - Locking set 3XC-120
  - Cams (for adapter) 3YC-120
  - Rod control 3YA-110
  - 3YA-120
  - 3YA-140
  - (only with hook and cut out version A) 3YA-190
  - Cam for rod control (3-point latch system) 3YA-840

# Swinghandle with variable use of locking sets for small bending area

## PROGRAM 1325

Info

1 Quarter turns

2 Rod controls

3 Locking systems

4 Hinges

5 Seals

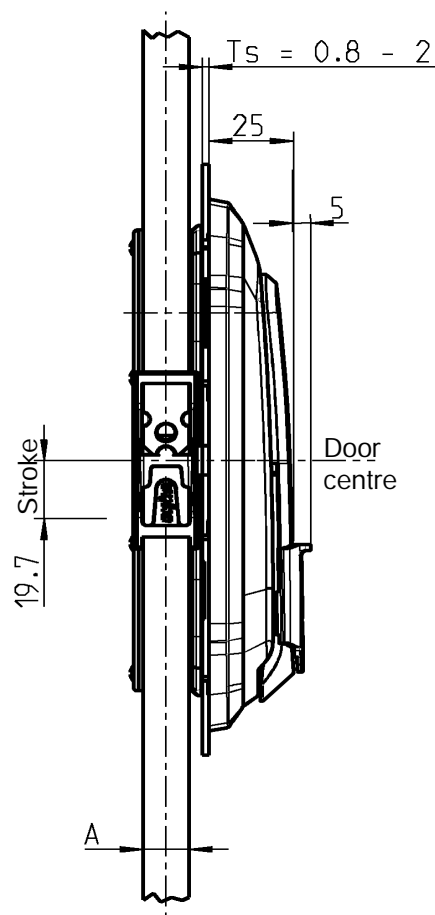
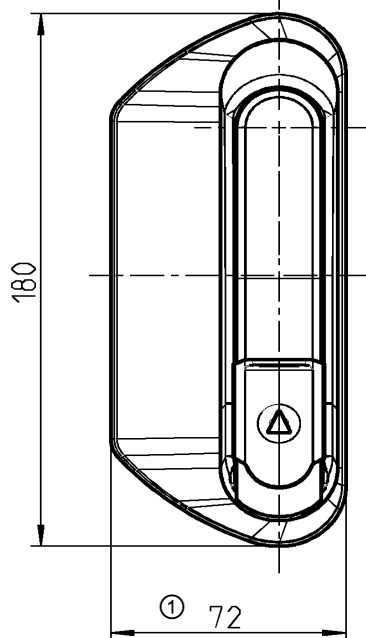
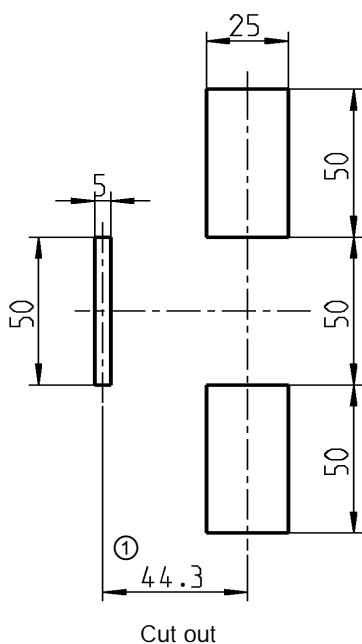
6 Handles

7 Aluminium windows

8 Miscellaneous

9 Special catalogues

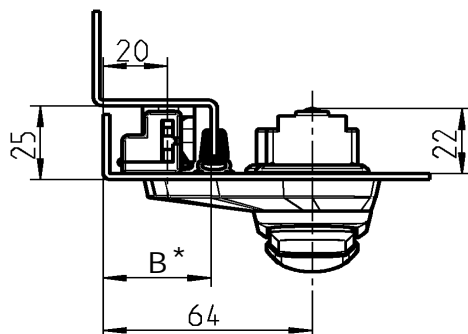
Index



Rod movement is unidirectional

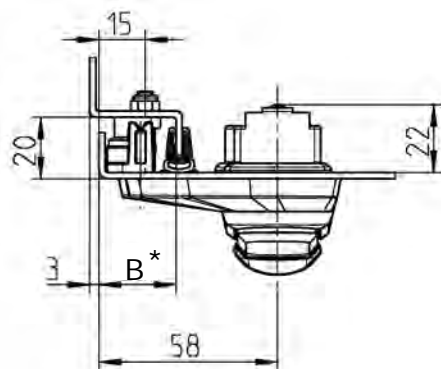
### Product benefits

- Innovative award-winning design
- Ergonomic surface feel
- Variable locking options
- Quick assembly and simple right-left change
- Integrated scratch protection prevents surface damage (handle / dish)
- Rattle-free rod connection by patented clip-in connection
- Allows small bending area 33 x 25 mm or 37 x 25 mm for more usable clearance



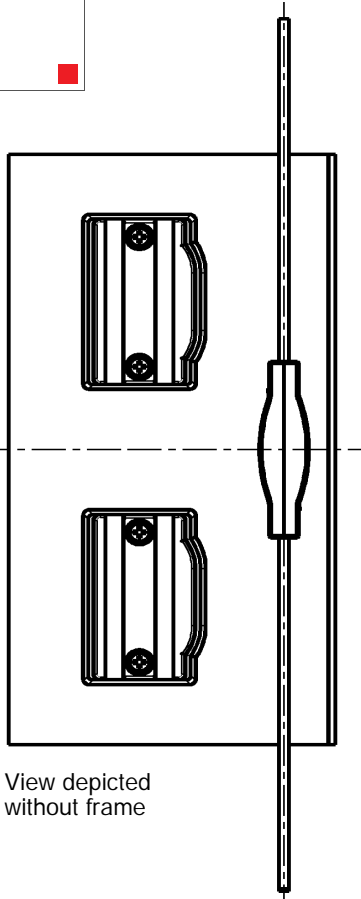
Example of an installation location

Dimension A	Flat rod 14x3	
Locking type (see right)	Dimension B	
	without seal	with seal
1	30	33
2	30	33
3	34	37



Dimension A	Flat rod 10x3	
Locking type (see right)	Dimension B	
	without seal	with seal
4	22	25

\* The values in the table for dimension B with seal refer to the seal 1011-10. With other seals, the values for dimension B differ.



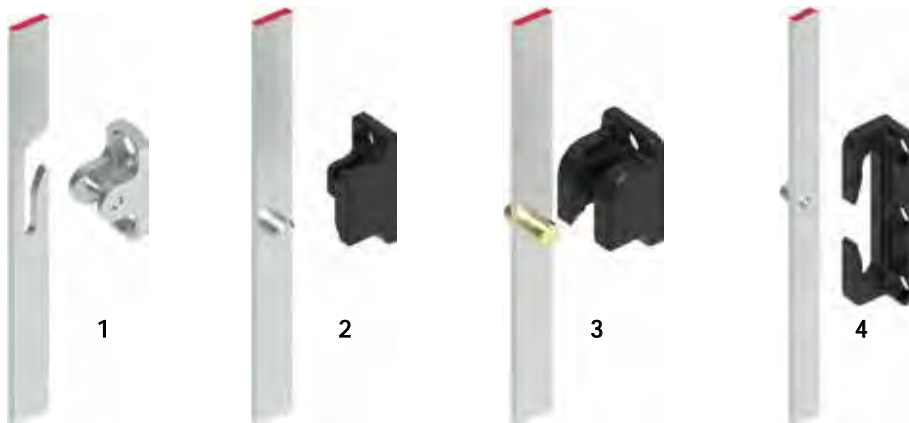
View depicted without frame



View depicted without caps



### Locking types



1 Rod with cut out

2 Rod with single roller

3 Rod with double roller

4 Rod with single roller

Swinghandle, rivet and caps polyamide GF black; rack polyamide 66 GF 50 black; shaft with pinion zinc die zinc-plated; fixing material m. s. zinc-plated; with spring and seal without locking set (please order lock set separately)

for flat rod 14x3; door return 25

1325-U201

for flat rod 10x3; door return 20

1325-U202

Module for different locking sets (see catalogue page 3BA-220)

① = Articles in other dimensions on request

Catch and hinge have the same fixing points

Multicolour pad printing possible

#### Further parts see page

- Locking set	3XC-120
- Rod controls door return 25	3ZA-600
- Door return 20	3ZA-605

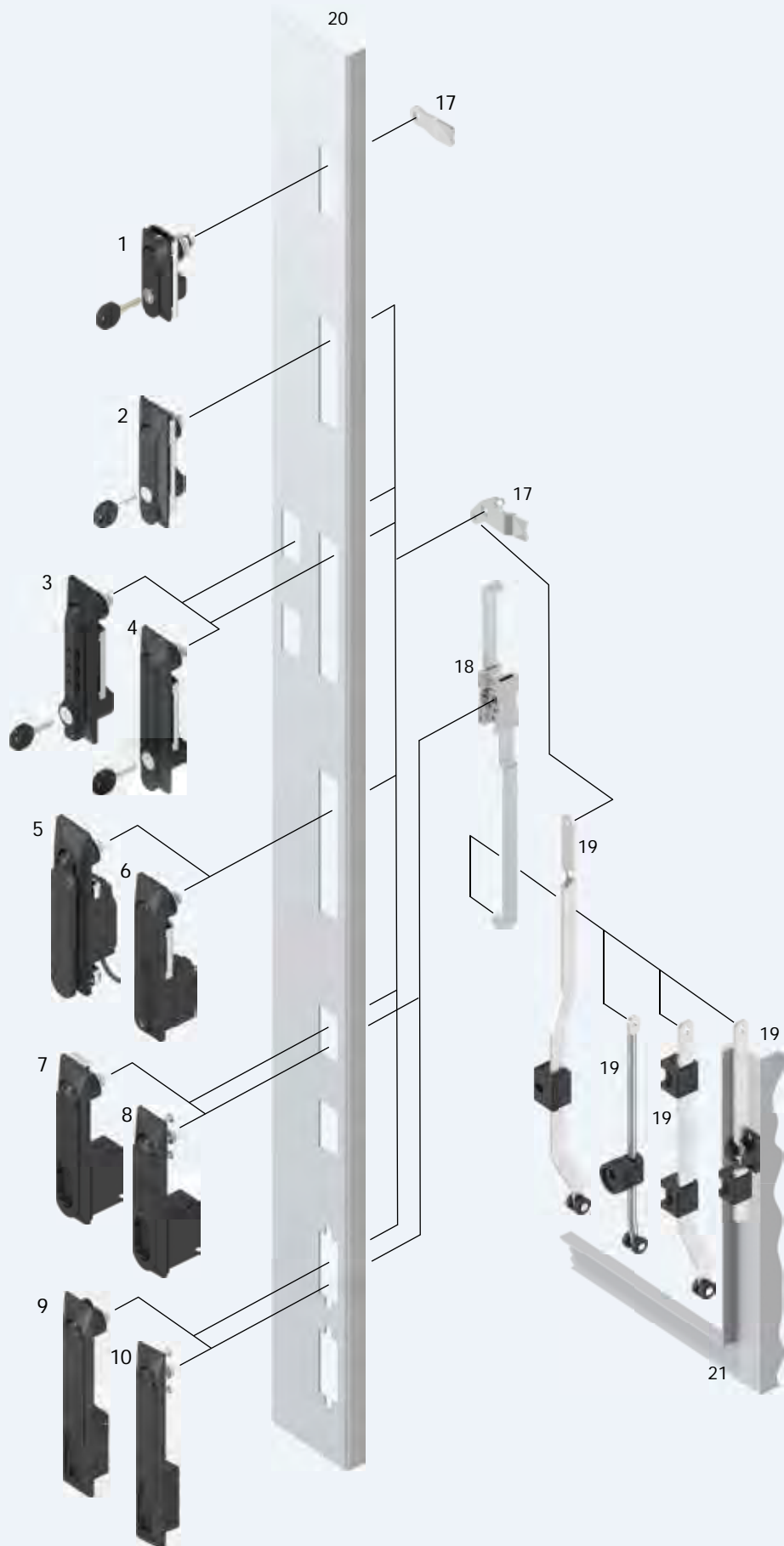
#### Hinge suitable for locking types 1, 2 and 3

- 125° Hinge	4A-136
- 180° Hinge (bottom)	4A-140
- 180° Hinge	4A-145

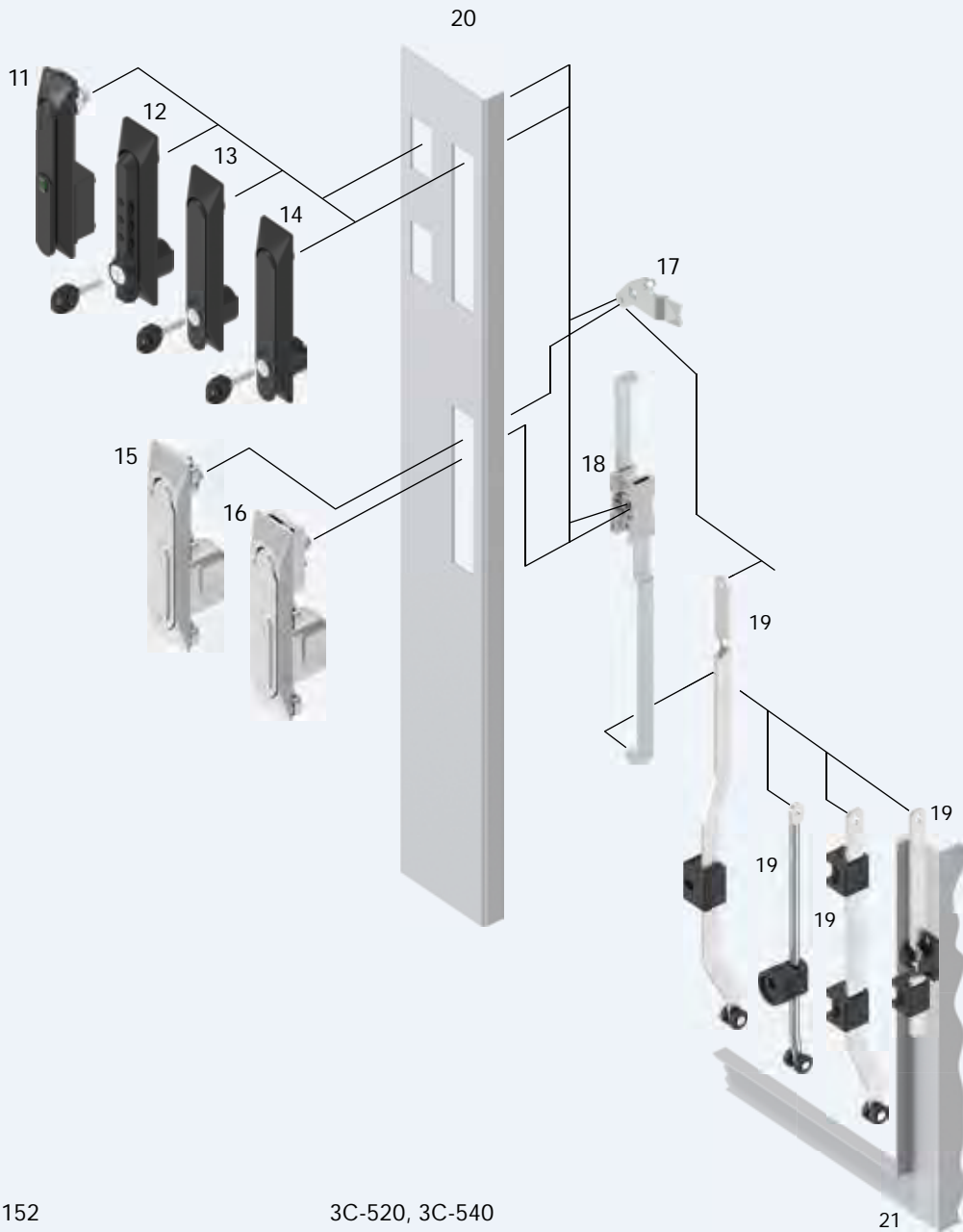
#### Also suitable for locking type 3

- 180° Hinge (26 mm door return)	4A-170
- 180° Hinge (26 mm door return)	4A-210

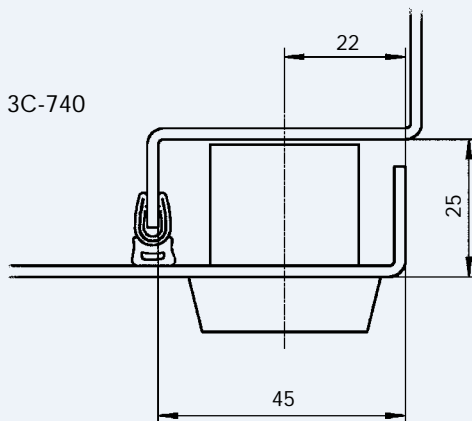
# Swinghandle Program 1150







- |    |  |                  |
|----|--|------------------|
| 1  | Swinghandle 1152   | 3C-520, 3C-540   |
| 2  | Swinghandle 1150   | 3C-120           |
| 3  | Swinghandle 1155   | 3C-620           |
| 4  | Swinghandle 1150   | 3C-120, 3C-140   |
| 5  | Swinghandle 1154, electromechanically                            | 3C-240           |
| 6  | Swinghandle 1154   | 3C-220           |
| 7  | Swinghandle 1153 for cam   | 3C-320           |
| 8  | Swinghandle 1153 for rod control                                 | 3C-320           |
| 9  | Swinghandle 1151 for cam   | 3C-420           |
| 10 | Swinghandle 1151 for rod control                                 | 3C-440           |
| 11 | Swinghandle 1150, electromechanically                            | 3C-160           |
| 12 | Swinghandle 1155 with universal escutcheon                       | 3C-750           |
| 13 | Swinghandle 1150 with universal dish and 'Push to Lock' function | 3C-740           |
| 14 | Swinghandle 1150 with universal dish                             | 3C-720 to 3C-740 |
| 15 | Swinghandle 1154 with RC2 for cam                                | 3C-260           |
| 16 | Swinghandle 1154 with RC2 for rod control                        | 3C-260           |
| 17 | Cam  |                  |
| 18 | Rod control  |                  |
| 19 | Rod  |                  |
| 20 | Door   |                  |
| 21 | Housing / Frame  |                  |

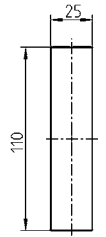
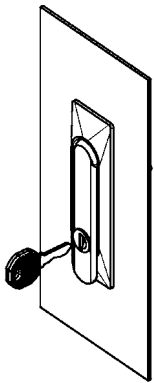


# 3C-100

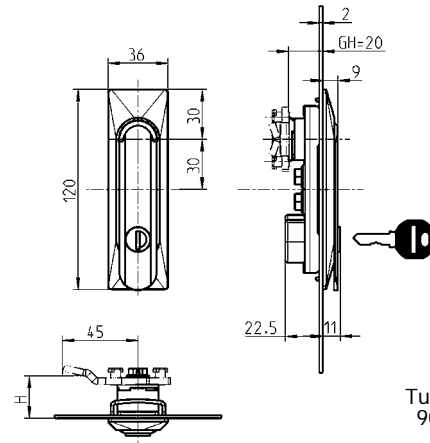
## Swinghandle 1150

## PROGRAM 1150

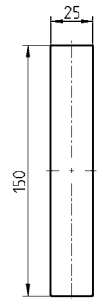
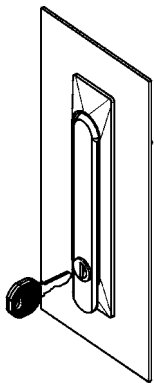
Version A (small)



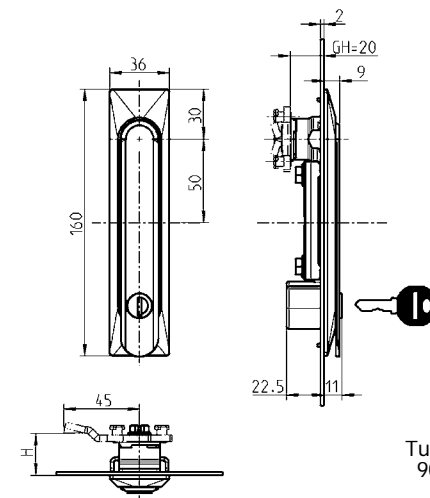
Cut out

Turn = Stroke  
90° = 26 mm

Version B (normal)



Cut out

Turn = Stroke  
90° = 26 mm

\* EMC version 1150U2-E

Swinghandle zinc die black powder-coated, round cylinder with stainless steel cap and shutter, fixing material m.s. zinc-pl., shaft zinc die zinc-pl., with seal, swinghandle is earthed

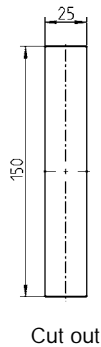
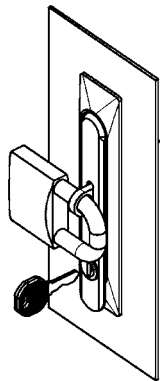
Swinghandle polyamide GF black, round cylinder with stainless steel cap and shutter, fixing material m.s. zinc-pl., shaft zinc die zinc-pl., with seal

Swinghandle zinc die black powder coated and dish polyamide GF black, round cylinder with stainless steel cap and dust cap, fixing material m.s. zinc-pl., shaft zinc die zinc-pl., with seal

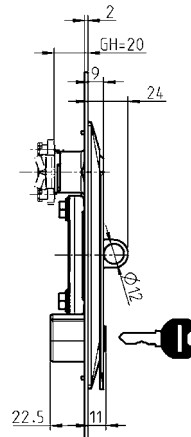
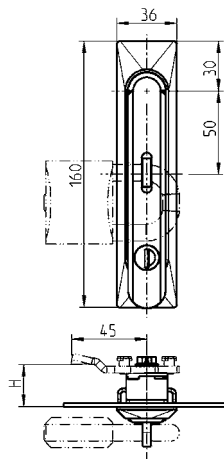
Version	A	B	A	B	A	B
keyed EK 333	1150-U1	1150-U2*	1150-U1-02	1150-U2-02	1150-U1-03	1150-U2-03
keyed different	1150-U3	1150-U4	1150-U3-02	1150-U4-02	1150-U3-03	1150-U4-03
<b>Insert zinc die chrome-plated</b>						
Square 6	1150-U20	1150-U9	1150-U20-02	1150-U9-02	1150-U20-03	1150-U9-03
Square 7	1150-U21	1150-U10	1150-U21-02	1150-U10-02	1150-U21-03	1150-U10-03
Square 8	1150-U22	1150-U11	1150-U22-02	1150-U11-02	1150-U22-03	1150-U11-03
Triangular 6.5 CNOMO	1150-U32	1150-U31	1150-U32-02	1150-U31-02	1150-U32-03	1150-U31-03
Triangular 7	1150-U23	1150-U12	1150-U23-02	1150-U12-02	1150-U23-03	1150-U12-03
Triangular 8	1150-U24	1150-U13	1150-U24-02	1150-U13-02	1150-U24-03	1150-U13-03
Double bit 3	1150-U25	1150-U14	1150-U25-02	1150-U14-02	1150-U25-03	1150-U14-03
Double bit 5	1150-U26	1150-U15	1150-U26-02	1150-U15-02	1150-U26-03	1150-U15-03
Daimler Benz	1150-U27	1150-U16	1150-U27-02	1150-U16-02	1150-U27-03	1150-U16-03
Slot 2x4	1150-U28	1150-U17	1150-U28-02	1150-U17-02	1150-U28-03	1150-U17-03
Hexagon female SW 8 with pin	1150-U29	1150-U18	1150-U29-02	1150-U18-02	1150-U29-03	1150-U18-03
Hexagon male SW 11	1150-U30	1150-U19	1150-U30-02	1150-U19-02	1150-U30-03	1150-U19-03
Push button	on request	on request	on request	on request	1150-U55-03	on request



Version B for padlock



Cut out



Each round cylinder has one silver steel key with grip polyamide GF black



Swinghandle zinc die black powder-coated, round cylinder with stainless steel cap and dust cap, padlock shackle AISI 316, shaft zinc die zinc-plated, with seal, fixing material m.s. zinc-plated, swinghandle earthed

Version B for padlock

keyed EK 333	1150-U2-01
keyed different	1150-U4-01

Insert zinc die chrome-plated

Square 6	1150-U9-01
Square 7	1150-U10-01
Square 8	1150-U11-01
Triangular 6.5 CNOMO	1150-U31-01
Triangular 7	1150-U12-01
Triangular 8	1150-U13-01
Double bit 3	1150-U14-01
Double bit 5	1150-U15-01
Daimler Benz	1150-U16-01
Slot 2x4	1150-U17-01
Hexagon female SW 8 with pin	1150-U18-01
Hexagon male SW 11	1150-U19-01
Push button	1150-U55-01

Further parts see page

- Key 8B-120
- Spare key 8B-140
- Cam (GH = 20) 3YC-140

On request:

- Handle blind (without locking system)

Info

1 Quarter turns



2 Rod controls



3 Locking systems



4 Hinges

5 Seals

6 Handles

7 Aluminium windows

8 Miscellaneous

9 Special catalogues

Index

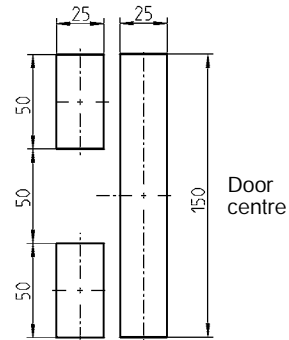
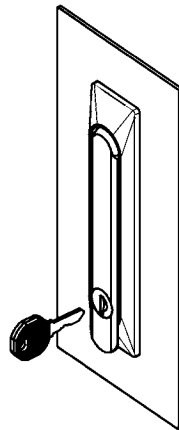
\* can be used for cut out of 1125/1225

**Further parts see page**

- Key 8B-120
- Spare key 8B-140
- Cams (GH = 18) 3YC-120

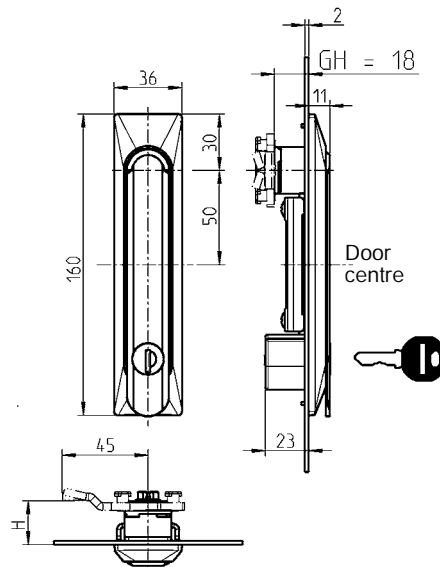
**On request:**

- Key of round cylinder not removable in open position
- Other inserts



Cut out

Door centre



Door centre

Swinghandle zinc die black-powder coated, dish polyamide GF black, fixing material m.s. zinc-plated, shaft zinc die zinc-plated., round cylinder with stainless steel cap and dust cap, with seal. Each round cylinder has one silver steel key with grip polyamide GF black

keyed EK 333	1150-U33-03
--------------	-------------

keyed different	1150-U34-03
-----------------	-------------

**Insert zinc die chrome-plated**

Square 6	1150-U36-03
----------	-------------

Square 7	1150-U37-03
----------	-------------

Square 8	1150-U38-03
----------	-------------

Triangular 6.5 CNOMO	1150-U39-03
----------------------	-------------

Triangular 7	1150-U40-03
--------------	-------------

Triangular 8	1150-U41-03
--------------	-------------

Double bit 3	1150-U42-03
--------------	-------------

Double bit 5	1150-U43-03
--------------	-------------

Daimler Benz	1150-U44-03
--------------	-------------

Slot 2x4	1150-U35-03
----------	-------------

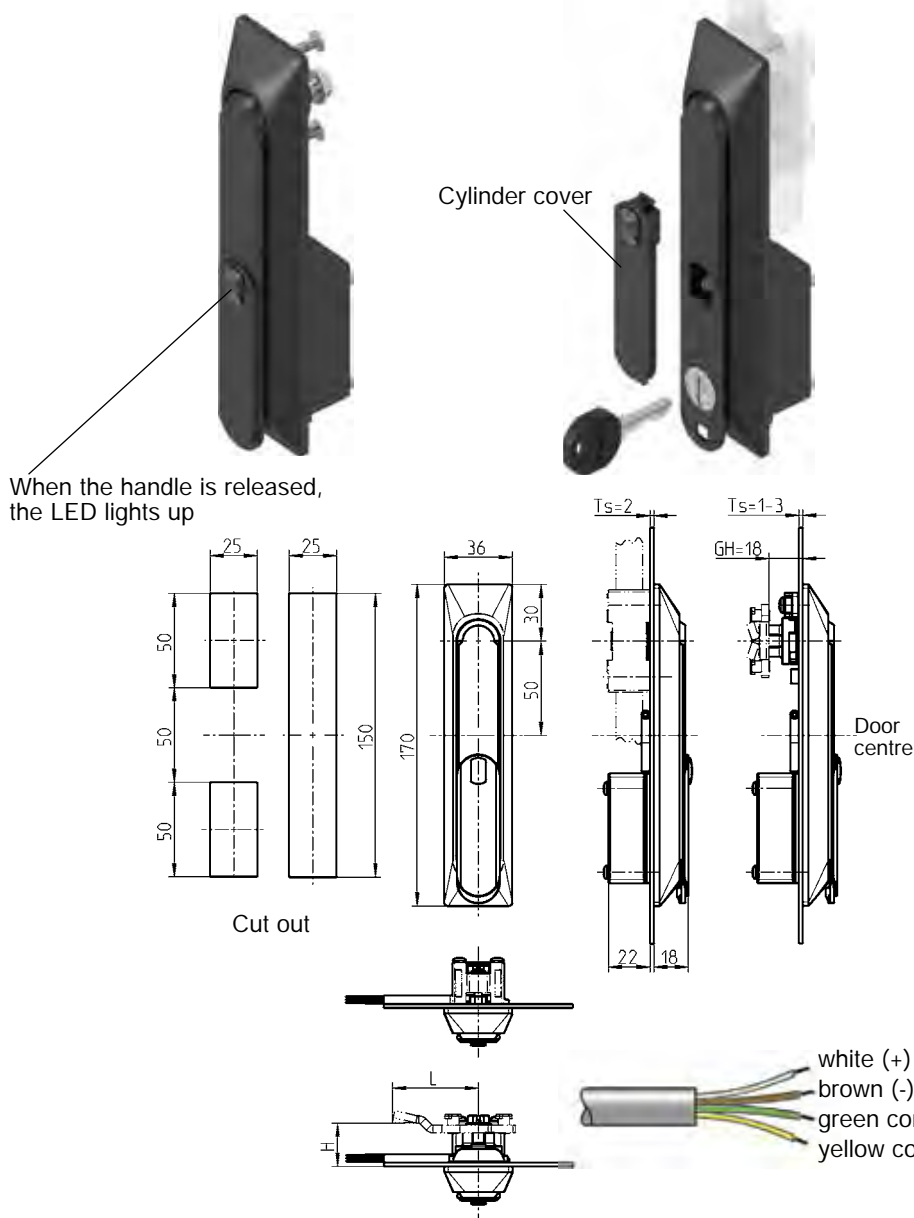
Hexagon female SW 8 with pin	1150-U45-03
------------------------------	-------------

Hexagon male SW 11	1150-U46-03
--------------------	-------------

# Swinghandle 1150 with electromechanical release and emergency opening

## PROGRAM 1150

This handle is suitable for locking indoor cabinets. It is released by applying a voltage signal of 12 V or 24 V DC. After pushing the handle briefly into the dish, it can be opened. The integrated reed contact is used for remote monitoring of the handle status. To lock the handle it must be pressed into the dish until the locking mechanism engages. The provided key is used to open the handle in case of power failure. For this purpose the cover on the locking cylinder has to be removed. The cover will be destroyed thereby and must be placed.



Handle zinc die black powder-coated; dish and cap polyamide GF black; cylinder cover Bio-Flex black; shaft brass, round cylinder with stainless steel cap and dust cap; solenoid with electronics; Reed contact and LED; connecting cable (4 m); fixing material m.s. zinc plated.  
Each round cylinder has one silver steel key with grip polyamide GF black  
Contact switching power: 48 VDC, 0.5 A

	keyed EK 333	keyed different
Solenoid 12 V, for rod control or cam	1150-U56	1150-U56-V
Solenoid 24 V, for rod control or cam	1150-U56-01	1150-U56-01V
<b>Cylinder cover Bio-Flex black (spare part)</b>		
		1150-B33



**Note:**  
This handle can be connected to the modules 3000-U32-02 and 3000-U47-02 or 3000-U47-07.

**Further parts see page**

- Cams (GH = 18) 3YC-120
- Rod control 3YA-110
- 3YA-120
- 3YA-140
- Spare key 8B-140

Info

1 Quarter turns

2 Rod controls

3 Locking systems

4 Hinges

5 Seals

6 Handles

7 Aluminium windows

8 Miscellaneous

9 Special catalogues

Index



Resistance class:

RC2 DIN EN 1630, is achieved with the 1154-U2 swinghandle with profile half cylinder according to DIN EN 18252-BZ or DIN EN 1303 with resistance class 2 with drilling and pulling protection.

The profile half cylinder should be certified and monitored by PIV CERT or alternatively by a certifying body according to DIN EN ISO/IEC 17065.

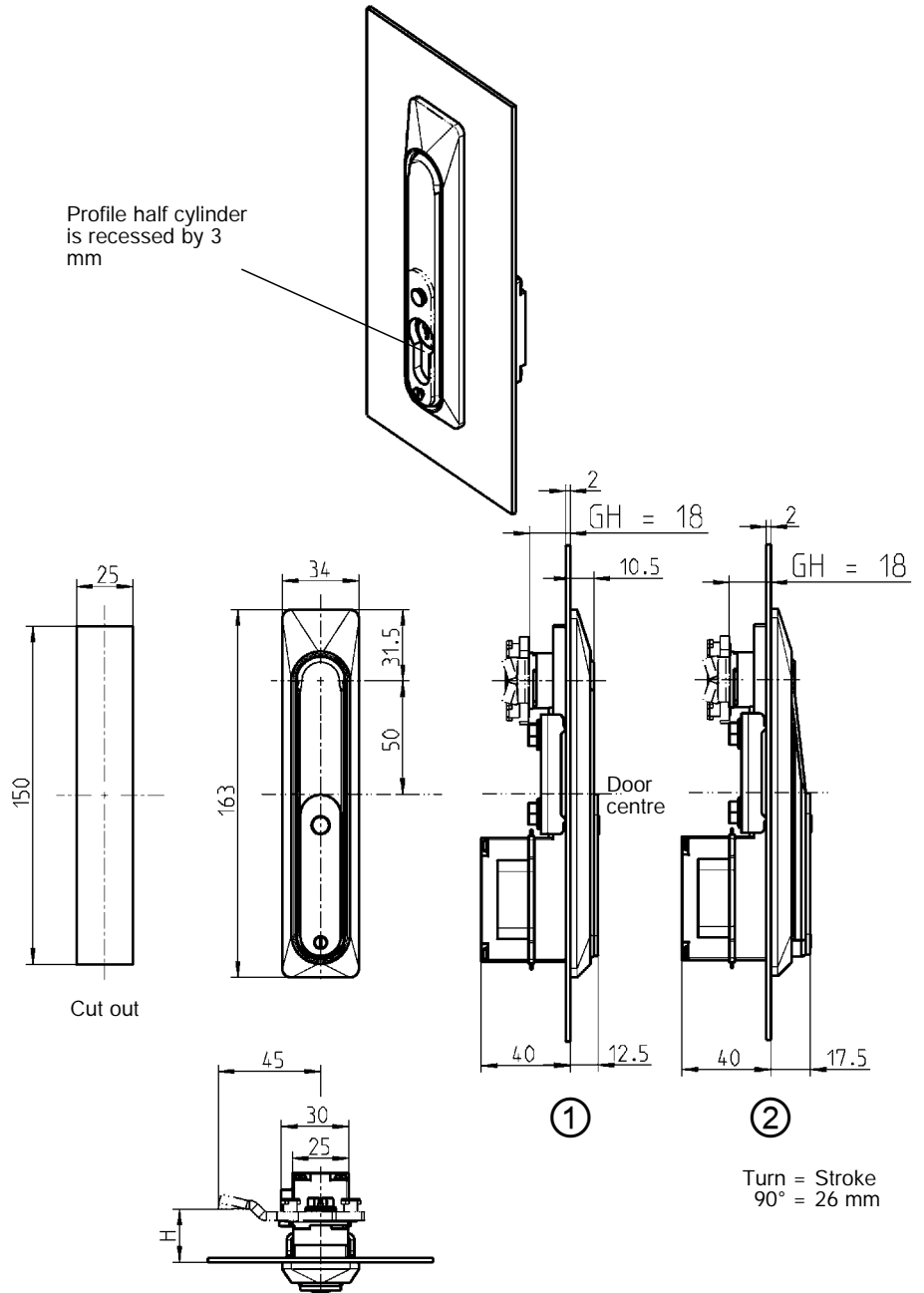


②



①

Profile half cylinder is recessed by 3 mm



Suitable for profile half cylinder (length A = 30 or A = 35) or DIN 18252 (EN 1303)

Further parts see page  
 – Cams (GH = 18) 3YC-120  
 – Profile half cylinder 3XB-120

Swinghandle zinc die black powder-coated, cap polyamide black, shaft zinc die zinc-plated, fixing material m.s. zinc-plated, with seal

① for profile half cylinder 40

1154-U1

② for profile half cylinder 45

1154-U3

Swinghandle AISI 316, shaft AISI 303, cap polyamide black, fixing material stainless steel, with seal

① for profile half cylinder 40; with RC2

1154-U2

# Swinghandle 1154 with electromechanical release and emergency opening

## PROGRAM 1150

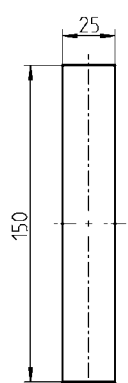
This handle is suitable for locking outdoor cabinets.  
 By applying a 12 V, 24 V or 48 V DC signal, the handle can be released. After pushing the handle briefly into the dish, it can be opened.  
 The integrated Reed contact is used for remote monitoring of the handle status. To lock the handle it must be pressed into the dish until the locking mechanism engages. The provided key is used to open the handle in case of power failure. To open the cylinder cover, the screw M3 has to be removed. Unlocking by means of round / pin cylinder is possible then.



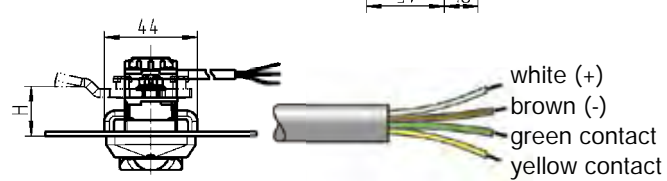
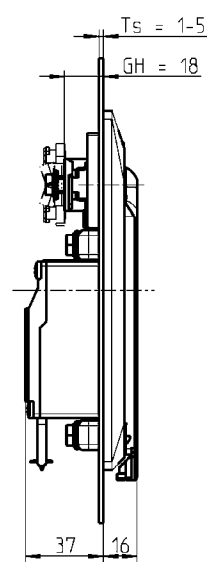
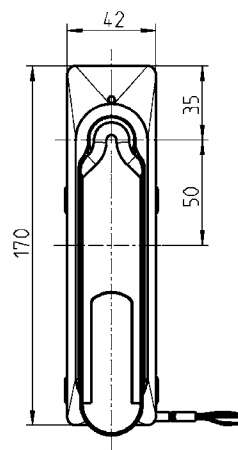
Round cylinder EK



Two countersunk screws M3 included in scope of delivery. Cross recess and hexagon female SW 2 with pin.



Cut out



H-dimension starting at 33 mm

When the handle is released, the LED lights up.



Max. power-on time: 1 minute



Swinghandle zinc die black powder-coated, cap and dust cap polyamide GF black, shaft zinc die zinc-plated, holder AISI 304, round cylinder EK with stainless steel cap and shutter, brass pin, solenoid with electronics, Reed contact and LED, cable (4 m), screw M3 for cylinder cover AISI 304, fixing material m.s. zinc-plated, with seal.

Each round cylinder has one silver steel key with grip polyamide GF black.

Contact switching power: 48 VDC, 0.5 A

	keyed EK 333	keyed different
Round cylinder EK; 48V	1154-U6	1154-U6-V
Round cylinder EK; 24V	1154-U6-02	1154-U6-02V
Round cylinder EK; 12V	1154-U6-03	1154-U6-03V

Further parts see page  
 – Cam (stroke 26) 3YC-120  
 H-dimension starting at 33 mm  
 – Rod on request 8B-140  
 – Spare key EK

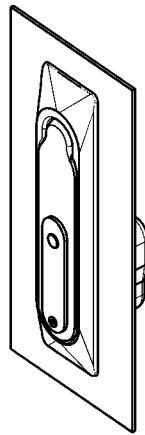




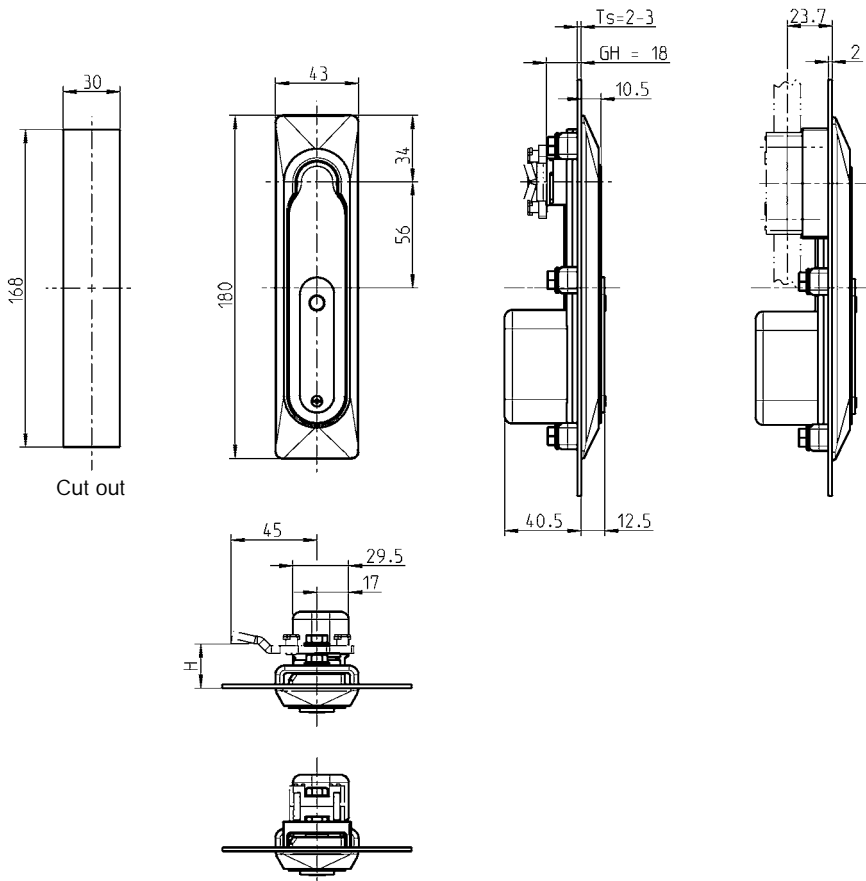
# Stainless steel swinghandle 1154 with RC2

## PROGRAM 1150

Prepared for profile half cylinder  
(Length A = 30) DIN 18252 (EN 1303)



PIV certificate 20-15/07  
The swinghandle has successfully passed the test according to RC2 DIN V ENV 1630 (RC2).  
The test was approved by the 'test institute for locks and fittings Velbert'.



Turn 90° with cam



Swinghandle AISI 316, shaft AISI 303, fixing material stainless steel, with seal

for cam	1154-U4
for rod control	1154-U5

Further parts see page  
 – Cam (GH = 18) 3YC-120  
 – Rod control for cam 3YC-180  
 – Rod control 3YA-440  
 – Profile half cylinder 3XB-120

Info

1 Quarter turns

2 Rod controls

3 Locking systems

4 Hinges

5 Seals

6 Handles

7 Aluminium windows

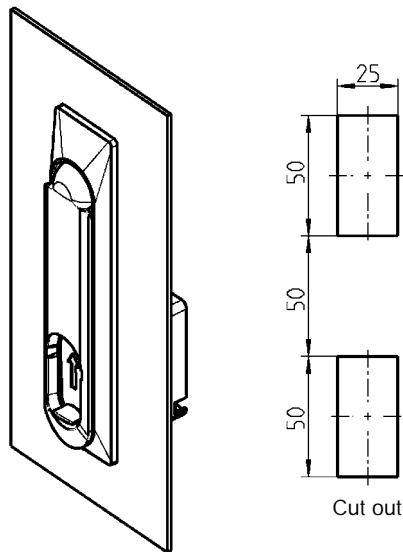
8 Miscellaneous

9 Special catalogues

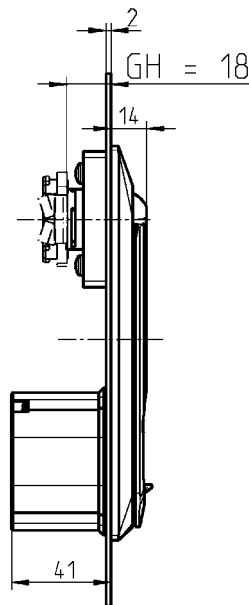
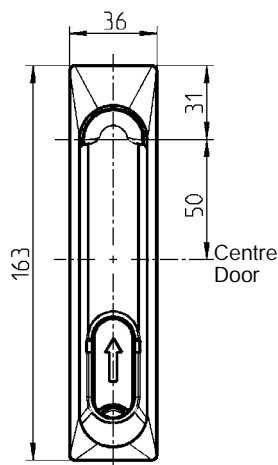
Index



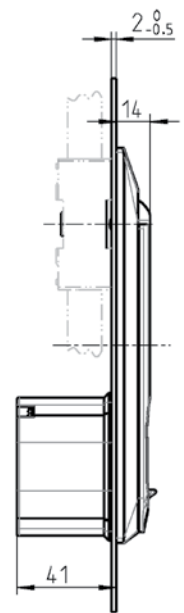
Prepared for profile half cylinder  
(Length A = 30) DIN 18252 (EN 1303)



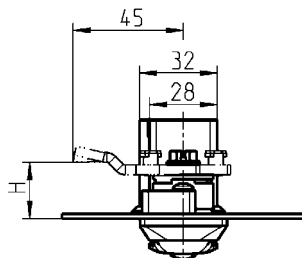
Cut out



Version A



Version B,  
earthing possible



Attention: Length of housing GH = 18 mm

\* can be used for  
cut out of 1125/1225

Further parts see page  
for version A

– Cam (GH = 18) 3YC-120

for version B

– Rod control only inside the sea-  
ling 3YA-110

3YA-120

3YA-140

for version A and B

– Profile half cylinder 3XB-120

Swinghandle zinc die black powder-coated, fixing material m.s. zinc-plated,  
shaft zinc die zinc-plated, with seal

Version A for cams

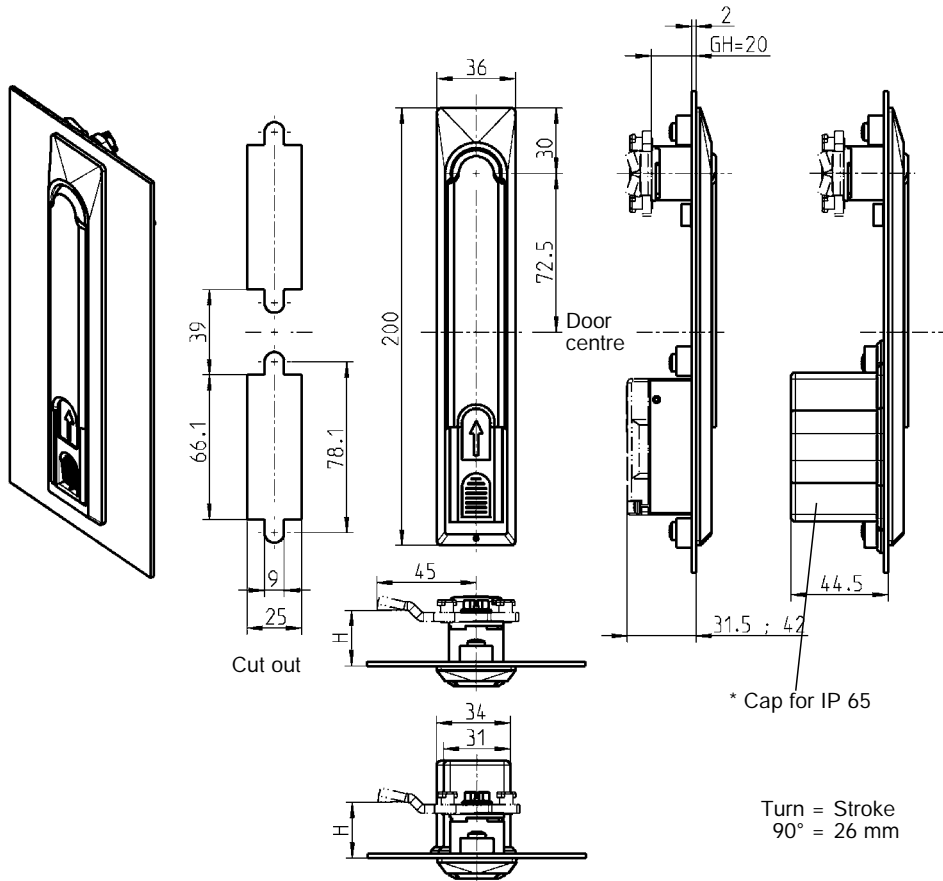
1153-U1

Version B for rod control, earthing possible

1153-U2

# Swinghandle 1151

## PROGRAM 1150



\* Dimensions:  
 38.5 (wide) x 97 (length), cap for profile half cylinder  
 35 (wide) x 97 (length), cap for insert and round cylinder



**Note:**  
 Swinghandle without locking set

**Further parts see page**  
 – Locking set 3XA-120  
 3XA-140  
 – Locking set ELM  
 Special catalogue Electronics  
 – Cam (GH = 20) 3YC-140

Swinghandle zinc die black powder-coated,  
 fixing material m.s. zinc-plated, shaft zinc die zinc-plated, with seal

Protection class IP 54 1151-U1

**IP 65 achieved by**

Cap for profile half cylinder 1151-05

Cap for insert and round cylinder 1151-05-01

Info

1 Quarter turns



2 Rod controls



3 Locking systems



4 Hinges

5 Seals

6 Handles



7 Aluminium windows

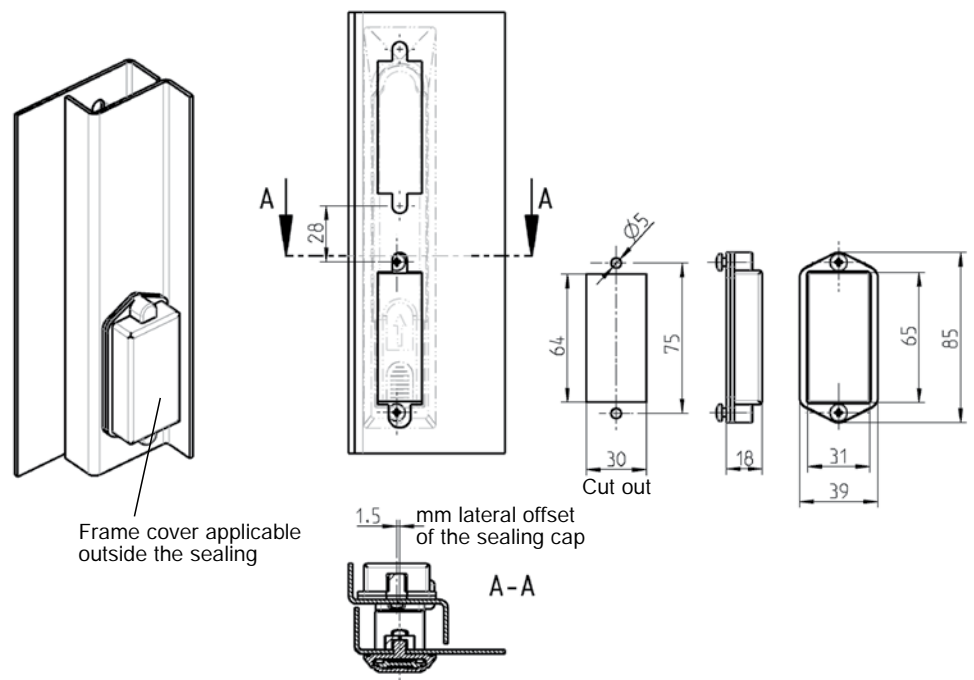
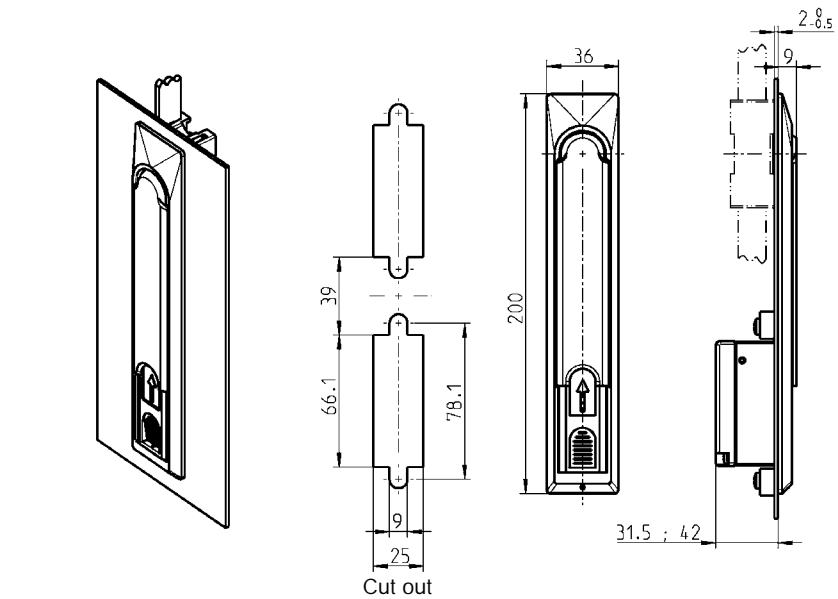
8 Miscellaneous

9 Special catalogues

Index

**Note:**  
Swinghandle without locking set

**Further parts see page**  
 – Locking set 3XA-120  
 3XA-140  
 – Locking set ELM  
 Special catalogue Electronics  
 – Rod control 3YA-420



Frame cover applicable  
outside the sealing

Swinghandle zinc die black powder-coated, fixing material m.s. zinc-plated,  
shaft zinc die zinc-plated, with seal

1151-U3

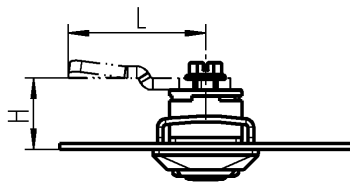
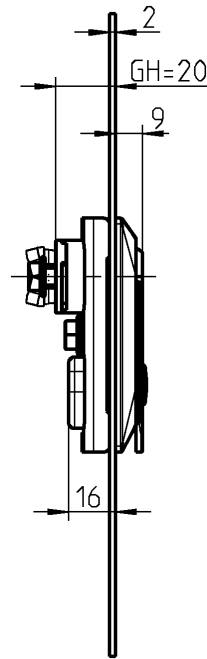
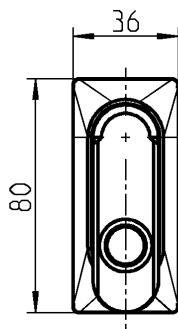
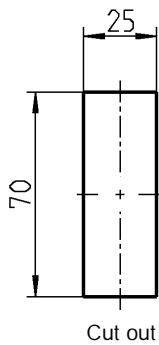
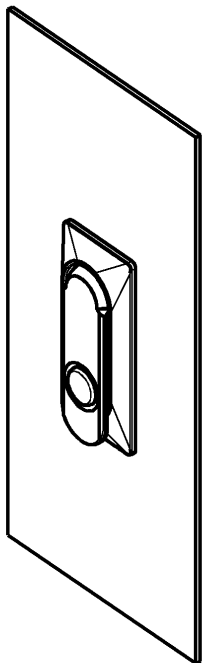
Frame cover polyamide GF black, screws m.s. zinc plated  
for LH and RH application, with seal

2100-U31

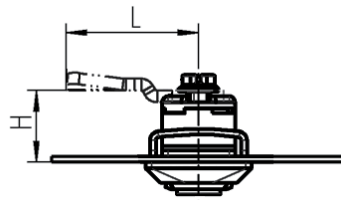
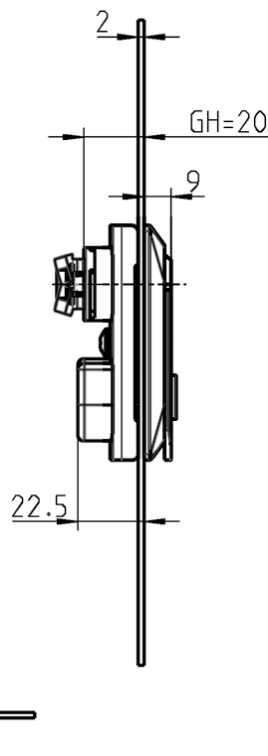
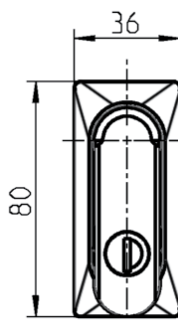
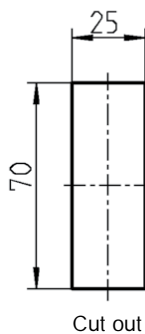
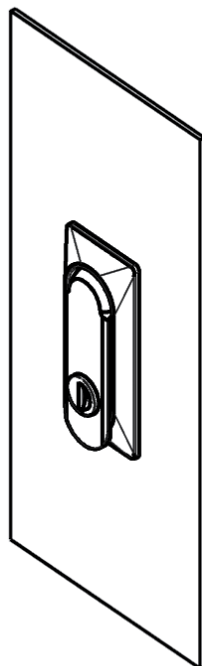
# Swinghandle 1152

## PROGRAM 1150

Swinghandle with push button or blind



Swinghandle with round cylinder



Swinghandle zinc die black powder-coated, round cylinder with stainless steel cap and shutter, fixing material m.s. zinc-plated, shaft zinc die zinc-plated, push button polyamide silver, with seal.

Each round cylinder has one silver steel key with grip polyamide GF black

Push button	1152-U1
keyed EK 333	1152-U2
keyed different	1152-U4
blind	1152-U3



Turn 90°

**Note:**  
Polyamide version on request.

**Further parts see page**  
– Cam without catch on request (not for cam with rod control)  
– Spare key 8B-140

Info

1 Quarter turns

2 Rod controls

3 Locking systems

4 Hinges

5 Seals

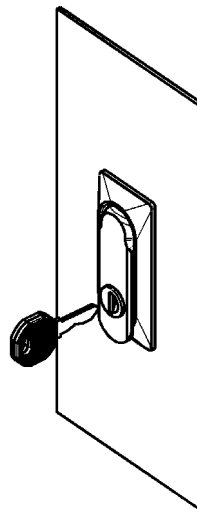
6 Handles

7 Aluminium windows

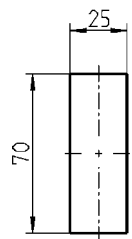
8 Miscellaneous

9 Special catalogues

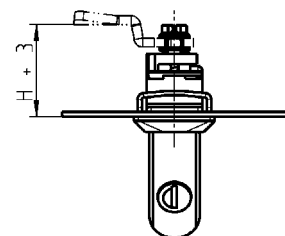
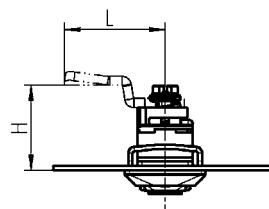
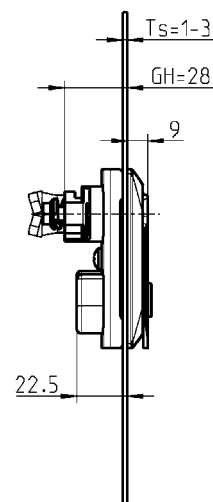
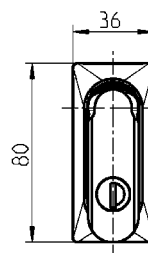
Index



As the handle is pushed into the escutcheon (see fig 2) the cam moves 3 mm axially towards the door.



Cut out



Turn 90°

**Note:**  
Suitable for door thicknesses from 1 - 3 mm.

**Further versions on request**  
– Version with logo possible  
– Additional vibration protection e.g. for use in vehicle construction

**Further parts see page**  
– Cam 1C-120  
– Spare key 8B-140

Swinghandle polyamide GF black powder-coated, round cylinder with stainless steel cap and shutter, fixing material m.s. zinc-plated, shaft zinc die zinc-plated, push button polyamide silver. Each round cylinder has one silver steel key with grip polyamide GF black

	without seal (IP 40)	with seal (IP 65)
Push button	1152-U9	1152-U9-01
keyed EK 333	1152-U10	1152-U10-01
keyed different	1152-U12	1152-U12-01
blind	1152-U11	1152-U11-01

# Swinghandle\* 1155

## PROGRAM 1150

Swinghandle with two locking options. For single point or multiple point locking system.



1 Quarter turns



2 Rod controls

3 Locking systems

4 Hinges

5 Seals

6 Handles

7 Aluminium windows

8 Miscellaneous

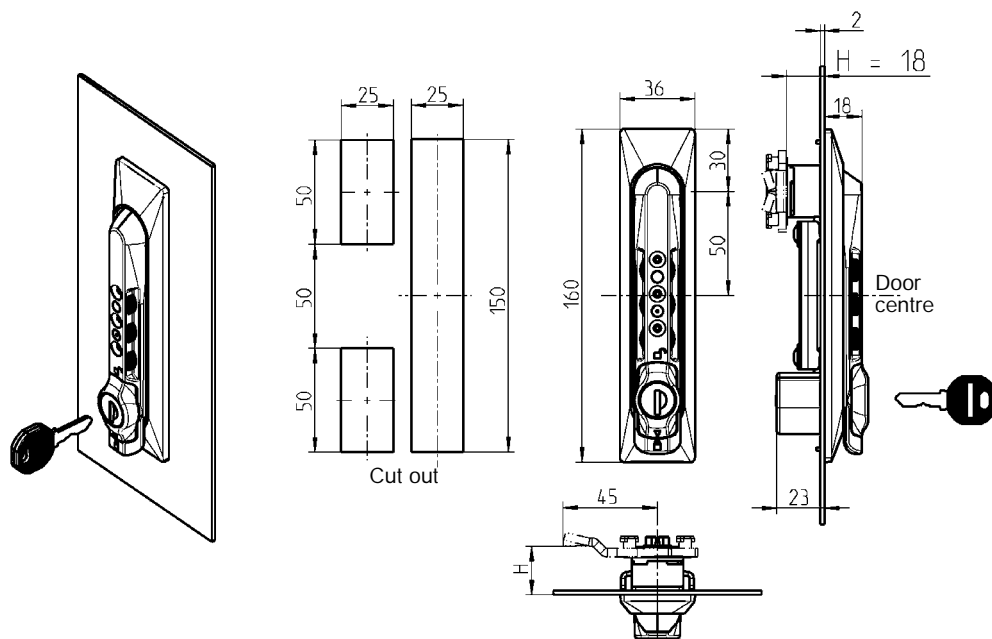
9 Special catalogues

Index



**Option 1:**  
Release using round cylinder. Operation as with usual swinghandles of Program 1150. The combination lock remains untouched.

**Option 2:**  
Release using combination lock and wing knob. The round cylinder remains locked. The arrow on the wing knob indicates the opened or closed position.



Swinghandle polyamide GF black powder-coated, shaft zinc die zinc-plated, round cylinder with stainless steel cap and shutter, fixing material m.s. zinc plated, with seal. Each round cylinder has one silver steel key with grip polyamide GF black

keyed EK 333	1155-U1
keyed different	1155-U2

\* can be used for cut out of 1125/1225

Further parts see page  
 – Cams (GH = 18) 3YC-120  
 – Spare key 8B-140

Info

1 Quarter turns



2 Rod controls



3 Locking systems



4 Hinges

5 Seals

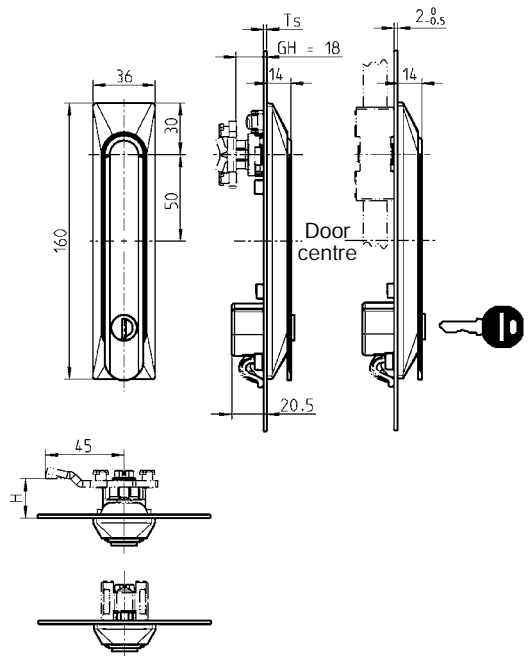
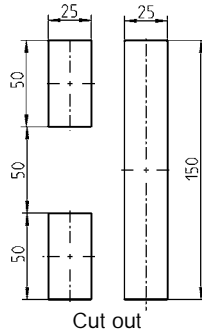
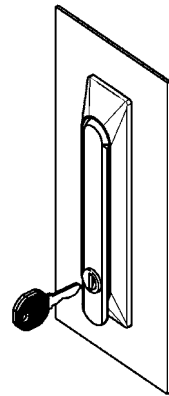
6 Handles

7 Aluminium windows

8 Miscellaneous

9 Special catalogues

Index



#### Attention:

Please order fixing material separately.

Ts = 1.0 to 3.0 mm depending on choice of fixing material

Swinghandle material of choice, dish polyamide black, shaft zinc die zinc-plated, with seal, round cylinder zinc die with stainless steel cap and shutter.

Each round cylinder has one silver steel key with grip polyamide GF black

	Swinghandle polyamide GF black	Handle zinc die black powder-coated
keyed EK 333	1150-U2-11	1150-U2-12
keyed different	1150-U4-11	1150-U4-12
<b>Insert zinc die chrome-plated</b>		
Square 6	1150-U9-11	1150-U9-12
Square 7	1150-U10-11	1150-U10-12
Square 8	1150-U11-11	1150-U11-12
Triangular 6.5 CNOMO	1150-U31-11	1150-U31-12
Triangular 7	1150-U12-11	1150-U12-12
Triangular 8	1150-U13-11	1150-U13-12
Double bit 3	1150-U14-11	1150-U14-12
Double bit 5	1150-U15-11	1150-U15-12
Daimler Benz	1150-U16-11	1150-U16-12
Slot 2x4	1150-U17-11	1150-U17-12
Hexagon female SW 8 with pin	1150-U18-11	1150-U18-12
Hexagon male SW 11	1150-U19-11	1150-U19-12
Push button	1150-U20-11	1150-U20-12

\* can be used for cut out of 1125/1225

#### Further parts see page

– Fixing material 3C-780  
– Cams (GH = 18) 3YC-120  
– Rod control 3YA-110

3YA-120  
3YA-140  
– Key 8B-120  
– Spare key 8B-140

#### On request:

– Key of round cylinder not removable in open position  
– Other inserts  
– Handle blind (without locking system)



# Swinghandle\* 1150 for padlock with universal dish

## PROGRAM 1150

# EMKA

Info

## Beschlagteile

1 Quarter turns

2 Rod controls

3 Locking systems

4 Hinges

5 Seals

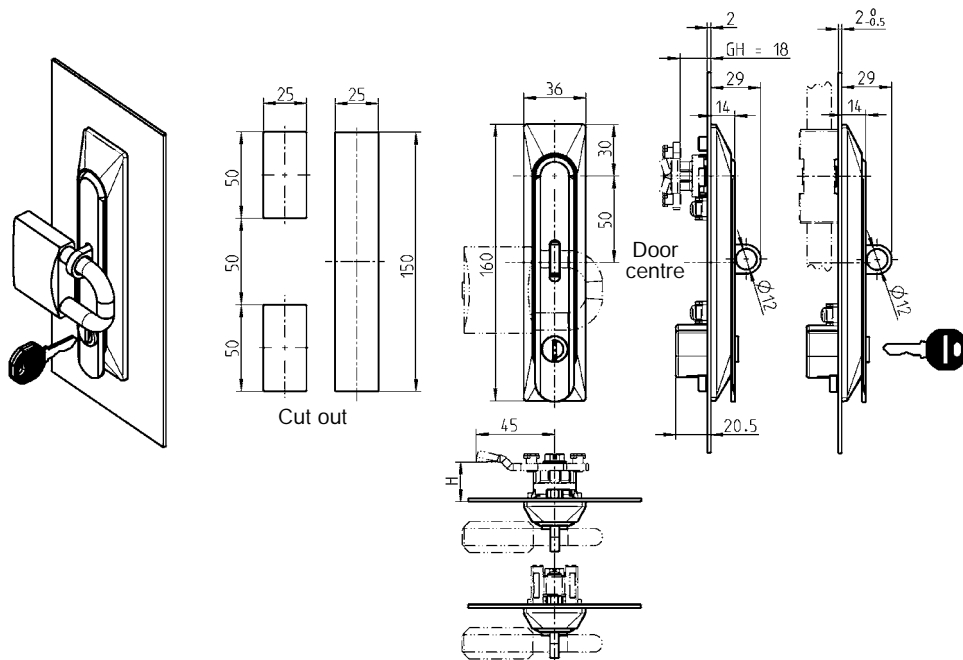
6 Handles

7 Aluminium windows

8 Miscellaneous

9 Special catalogues

Index



### Attention:

Please order fixing material separately.  
Ts = 1.0 to 3.0 mm depending on choice of fixing material



Swinghandle zinc die black powder-coated; dish polyamide black; padlock shackle AISI 316; shaft zinc plated, with seal; round cylinder zinc die with stainless steel cap and dust cap. Each round cylinder has one silver steel key with grip polyamide GF black

keyed EK 333	1150-U2-13
keyed different	1150-U4-13

### Insert zinc die chrome-plated

Square 6	1150-U9-13
Square 7	1150-U10-13
Square 8	1150-U11-13
Triangular 6.5 CNOMO	1150-U31-13
Triangular 7	1150-U12-13
Triangular 8	1150-U13-13
Double bit 3	1150-U14-13
Double bit 5	1150-U15-13
Daimler Benz	1150-U16-13
Slot 2x4	1150-U17-13
Hexagon female SW 8 with pin	1150-U18-13
Hexagon male SW 11	1150-U19-13
Push button	1150-U20-13

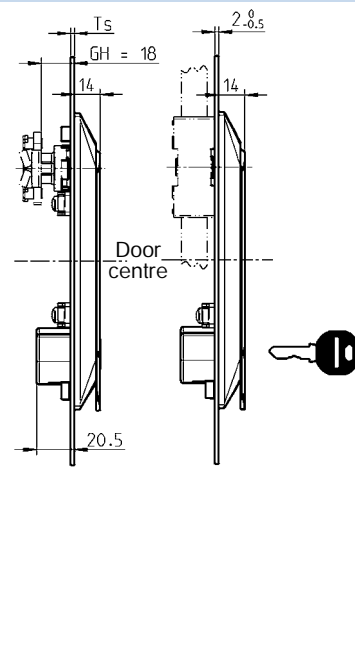
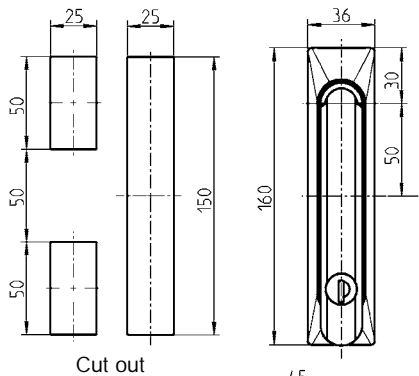
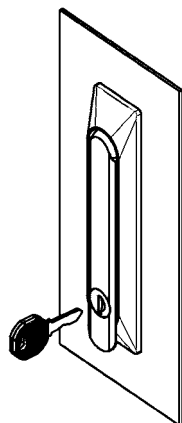
\* can be used for cut out of 1125/1225

### Further parts see page

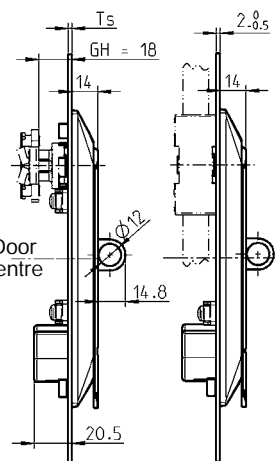
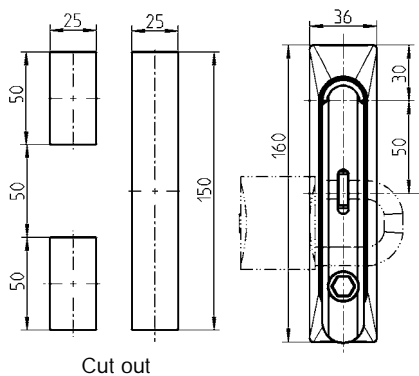
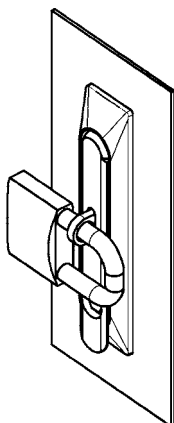
- Fixing material 3C-780
- Cams (GH = 18) 3YC-120
- Rod control 3YA-110
- 3YA-120
- 3YA-140
- Key 8B-120
- Spare key 8B-140

### On request:

- Key of round cylinder not removable in open position
- Other inserts
- Handle blind (without locking system)



**Attention:**  
Please order fixing material separately.  
Ts = 1.0 to 3.0 mm depending on choice of fixing material



Swinghandle zinc die black powder-coated, dish polyamide black, shaft zinc die zinc-plated, with seal, round cylinder zinc die with stainless steel cap and shutter.  
Each round cylinder has one silver steel key with grip polyamide GF black

		Push to lock	Push to lock and for padlock
keyed EK 333	1150-U33-22	-	-
keyed different	1150-U34-22	-	-
<b>Insert zinc die chrome-plated</b>			
Square 6	1150-U36-22	1150-U36-30	1150-U36-31
Square 7	1150-U37-22	1150-U37-30	1150-U37-31
Square 8	1150-U38-22	1150-U38-30	1150-U38-31
Triangular 6.5 CNOMO	1150-U39-22	1150-U39-30	1150-U39-31
Triangular 7	1150-U40-22	1150-U40-30	1150-U40-31
Triangular 8	1150-U41-22	1150-U41-30	1150-U41-31
Double bit 3	1150-U42-22	1150-U42-30	1150-U42-31
Double bit 5	1150-U43-22	1150-U43-30	1150-U43-31
Daimler Benz	1150-U44-22	1150-U44-30	1150-U44-31
Slot 2x4	1150-U35-22	1150-U35-30	1150-U35-31
Hexagon female SW 8 with pin	1150-U45-22	1150-U45-30	1150-U45-31
Hexagon male SW 11	1150-U46-22	1150-U46-30	1150-U46-31

\* can be used for cut out of 1125/1225

**Further parts see page**

- Fixing material 3C-780
- Cams (GH = 18) 3YC-120
- Rod control 3YA-110

- Key 3YA-120
- Spare key 3YA-140
- 8B-120
- 8B-140

**On request:**

- Key of round cylinder not removable in open position
- Other inserts

# Swinghandle\* 1155 with combination lock with universal dish

## PROGRAM 1150

Swinghandle with two locking options. For single point or multiple point locking system.



**Option 1:**  
Release using round cylinder. Operation as with usual swinghandles of Program 1150. The combination lock remains untouched.

**Option 2:**  
Release using combination lock and wing knob. The round cylinder remains locked. The arrow on the wing knob indicates the opened or closed position.



1 Quarter turns



2 Rod controls



3 Locking systems

4 Hinges

5 Seals

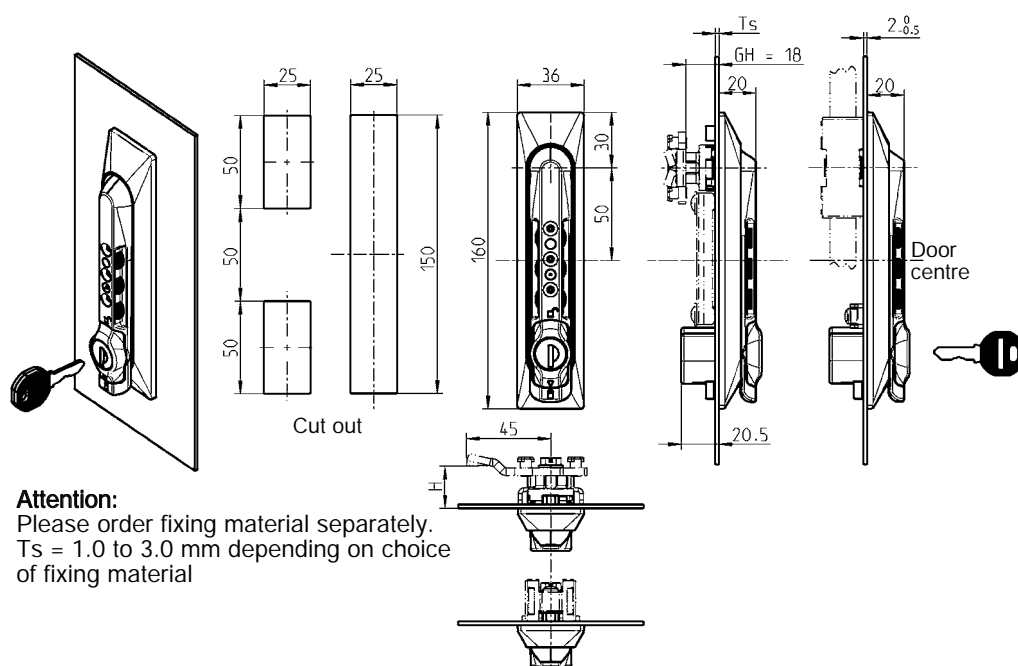
6 Handles

7 Aluminium windows

8 Miscellaneous

9 Special catalogues

Index



**Attention:**  
Please order fixing material separately.  
Ts = 1.0 to 3.0 mm depending on choice of fixing material

\* can be used for cut out of 1125/1225

**Further parts see page**

- Fixing material 3C-780
- Cams (GH = 18) 3YC-120
- Rod control 3YA-110
- 3YA-120
- 3YA-140
- 8B-140
- Spare key

**On request:**

- Key of round cylinder not removable in open position
- Other inserts

Swinghandle polyamide GF black, shaft zinc die zinc-plated, with seal, round cylinder with stainless steel cap and shutter. Each round cylinder has one silver steel key with grip polyamide GF black

keyed EK 333

1155-U1-11

keyed different

1155-U2-11

Info

1 Quarter turns

2 Rod controls

3 Locking systems

4 Hinges

5 Seals

6 Handles

7 Aluminium windows

8 Miscellaneous

9 Special catalogues

Index



Fixing material for swinghandle with cam



Hook and bridge polyamide black, adapter zinc die zinc-plated, fixing material m.s. zinc-plated

Ts = 1.0	1150-U50-01
Ts = 2.0	1150-U50-02
Ts = 3.0	1150-U50-03

Fixing material for swinghandle with rod control



Hook polyamide GF black, fixing material m.s. zinc-plated

Ts = 1.0	-
Ts = 2.0 <sub>-0.5</sub>	1150-U51-02
Ts = 3.0	-



Bridge polyamide GF black, adapter zinc die zinc-plated, fixing material m.s. zinc-plated

Ts = 1.0 to 3.0	1150-U52
-----------------	----------



Bridge polyamide GF black, fixing material m.s. zinc-plated

Ts = 2.0 <sub>-0.5</sub>	1150-U53
--------------------------	----------



Adapter zinc die zinc-plated, mounting rail and fixing material m.s. zinc-plated

Ts = 1.0 to 2.0	1150-U54
-----------------	----------

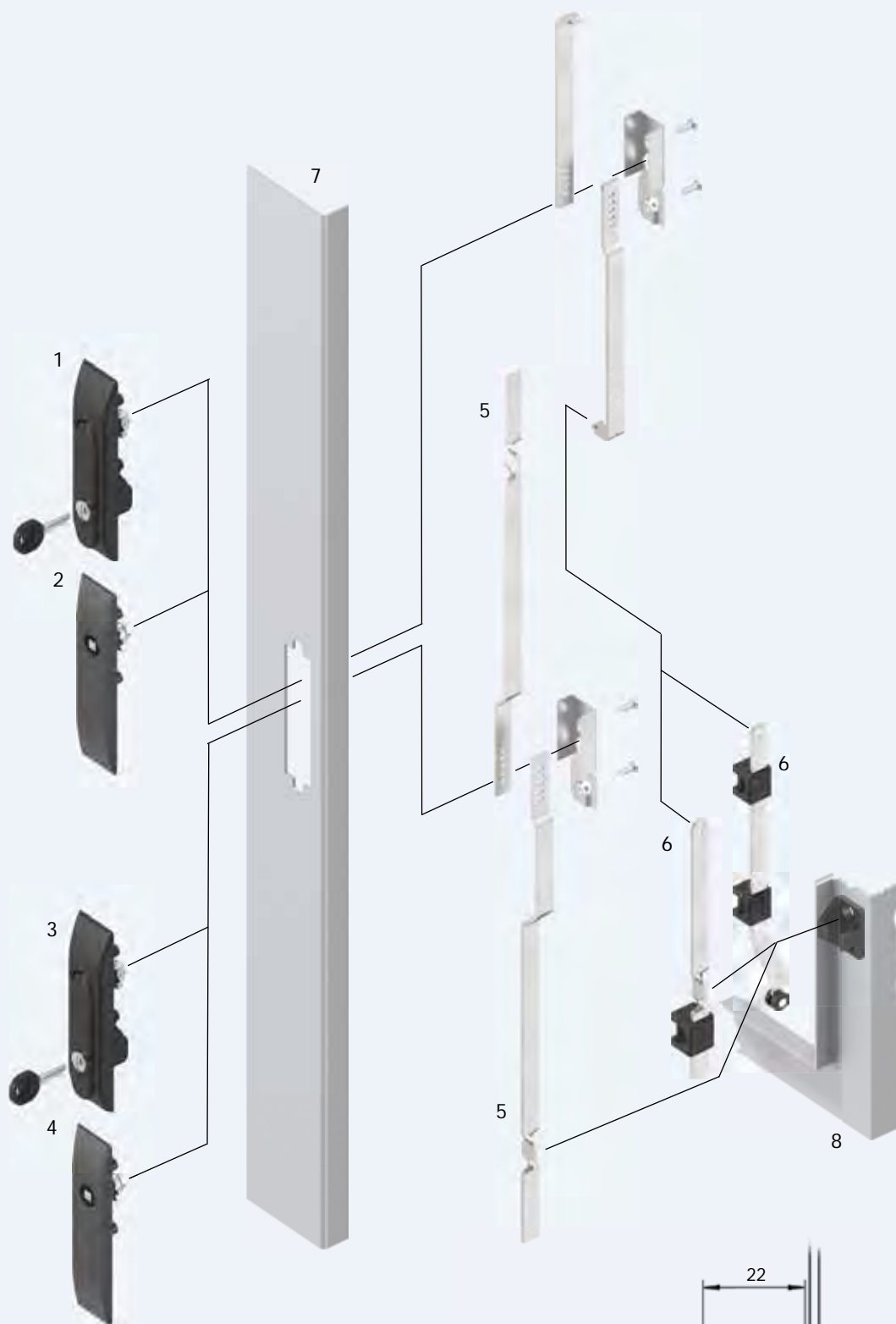
Further parts see page

- Swinghandle with universal dish to 3C-720 to 3C-750
- Cams (GH = 18) 3YC-120
- Rod control 3YA-110, 3YA-120, 3YA-140

On request:

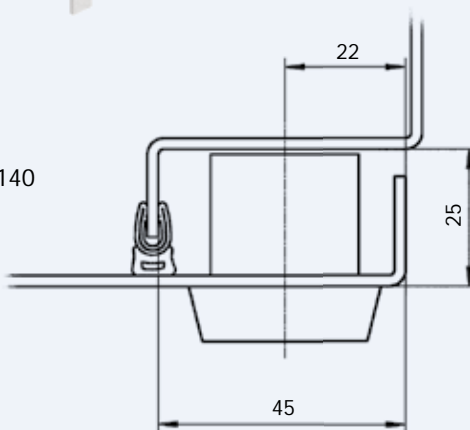
- Further door thicknesses Ts

# Swinghandle and Escutcheon Program 1160



- 1 Swinghandle
- 2 Escutcheon
- 3 Swinghandle
- 4 Escutcheon
- 5 Rod
- 6 Rod
- 7 Door
- 8 Housing / Frame

3D-120, 3D-140  
 3D-120  
 3D-220  
 3D-220



## 3D-100

Info

1 Quarter turns

2 Rod controls

3 Locking systems

4 Hinges

5 Seals

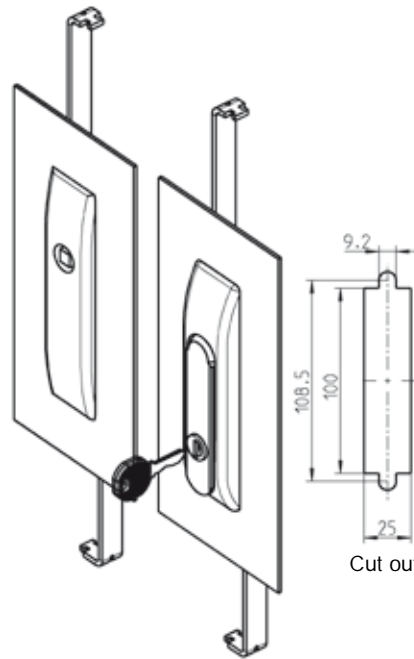
6 Handles

7 Aluminium windows

8 Miscellaneous

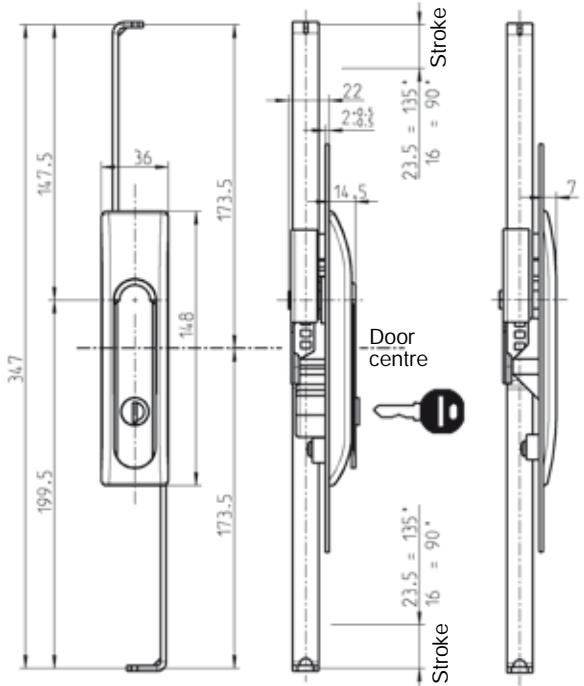
9 Special catalogues

Index



Cut out

Turn = Stroke  
135° = 23.5 mm  
90° = 16 mm



Door centre

Stroke

Swinghandle zinc die black powder-coated, shaft material of choice, rods m.s. zinc-plated, fixing material m.s. zinc-plated, shaft zinc die zinc-plated, with seal, round cylinder zinc die with stainless steel cap and shutter, insert zinc die chrome-plated, push button housing polyamide black, push button polyamide grey.  
Each round cylinder has one silver steel key with grip polyamide GF black

Escutcheon polyamide GF black, insert zinc die chrome-plated, rods m.s. zinc-plated, fixing material m.s. zinc-plated, with seal

#### Escutcheon

	Polyamide	Zinc die
keyed EK 333	1160-U1	1160-U3
keyed different	1160-U2	1160-U4
Square 6	1160-U9	1160-U20
Square 7	1160-U10	1160-U21
Square 8	1160-U11	1160-U22
Triangular 6.5 CNOMO	1160-U32	1160-U31
Triangular 7	1160-U12	1160-U23
Triangular 8	1160-U13	1160-U24
Double bit 3	1160-U14	1160-U25
Double bit 5	1160-U15	1160-U26
Daimler Benz	1160-U16	1160-U27
Slot 2x4	1160-U17	1160-U28
Hexagon female SW 8 with pin	1160-U18	1160-U29
Hexagon male SW 11	1160-U19	1160-U30
Push button	1160-U35	1160-U36

#### with mask

Double bit 3	1160-U52
Double bit 5	1160-U53
FIAT	1160-U64

#### without mask

Square 6	1160-U54
Square 7	1160-U55
Square 8	1160-U56
Triangular 6.5 CNOMO	1160-U65
Triangular 7	1160-U57
Triangular 8	1160-U58
Square female 8	1160-U63
Daimler Benz	1160-U59
Slot 2x4	1160-U60
Double bit 3	1160-U61
Double bit 5	1160-U62
Eastern Europe Ø 13 half-round	1160-U66

#### Further parts see page

– Rod



3ZA-120  
3ZA-320  
3ZB-120  
3ZB-220  
8B-140

– Spare key

3D-120 01/10

(3M-120)

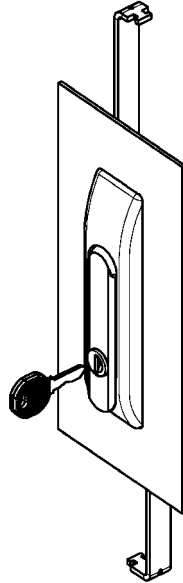
© EMKA Beschlagteile GmbH & Co. KG • 2021 • www.emka.com

Items printed in gray without stock

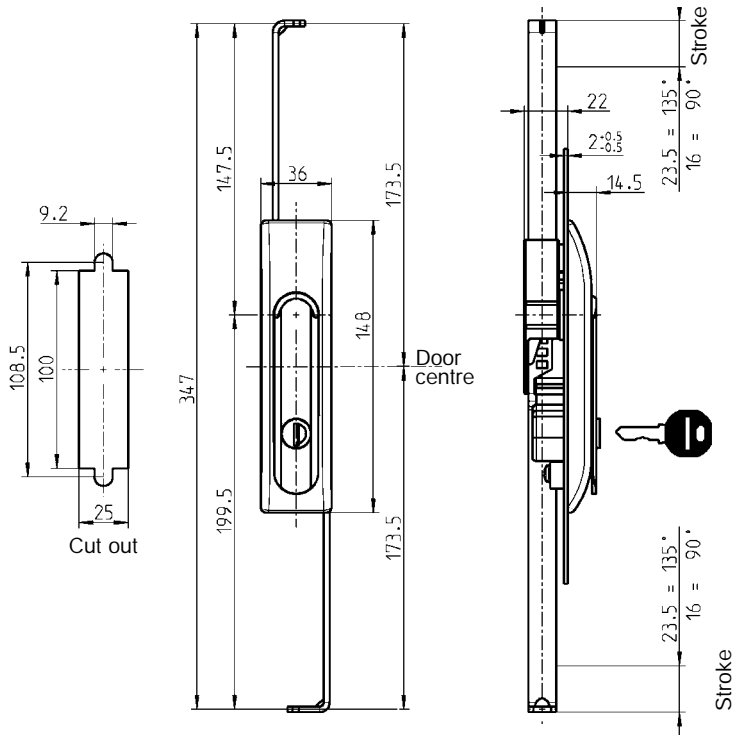
# Swinghandle with rods

## PROGRAM 1160

Swinghandle for pre-assembled rod control



Turn = Stroke  
 135° = 23.5 mm  
 90° = 16 mm



1 Quarter turns

2 Rod controls

3 Locking systems

4 Hinges

5 Seals

6 Handles

7 Aluminium windows

8 Miscellaneous

9 Special catalogues

Index



Swinghandle zinc die black powder-coated, shaft material of choice, rods m.s. zinc-plated, fixing material m.s. zinc-plated, shaft zinc die zinc-plated, with seal, round cylinder zinc die with stainless steel cap and shutter, insert zinc die chrome-plated, push button housing polyamide black, push button polyamide grey.  
 Each round cylinder has one silver steel key with grip polyamide GF black

### Escutcheon

	Escutcheon	
	Polyamide	Zinc die
keyed EK 333	1160-U201	1160-U203
keyed different	1160-U202	1160-U204
Push button	1160-U235	1160-U236
<b>Rod control polyamide GF black, rods m.s. zinc-plated</b>		
RH version		1160-U200-RE
LH version		1160-U200-LI

Further parts see page

– Rod

- outside
- inside
- inside

- 3ZA-120
- 3ZA-320
- 3ZB-120
- 3ZB-220
- 8B-140

– Spare key

Info

1 Quarter turns

2 Rod controls

3 Locking systems

4 Hinges

5 Seals

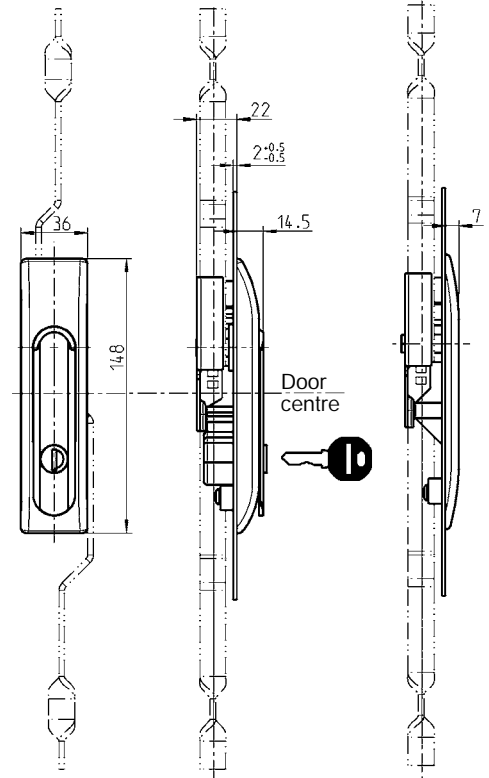
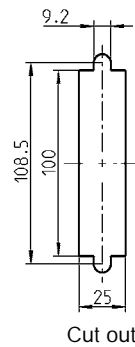
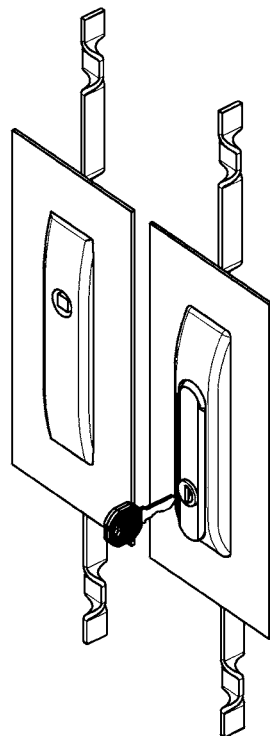
6 Handles

7 Aluminium windows

8 Miscellaneous

9 Special catalogues

Index



Swinghandle zinc die black powder-coated, escutcheon material of choice, fixing material m.s. zinc-plated, shaft zinc die zinc-plated, with seal, round cylinder zinc die with stainless steel cap and shutter, insert zinc die chrome-plated, push button housing polyamide grey. Each round cylinder has one silver steel key with grip polyamide GF black

Escutcheon polyamide GF black, insert zinc die chrome-plated, rods m.s. zinc-plated, fixing material m.s. zinc-plated, with seal

Further parts see page  
 - Rod  
 - Spare key

3ZA-420  
 8B-140

	Escutcheon	
	Polyamide	Zinc die
keyed EK 333	1160-U101	1160-U103
keyed different	1160-U102	1160-U104

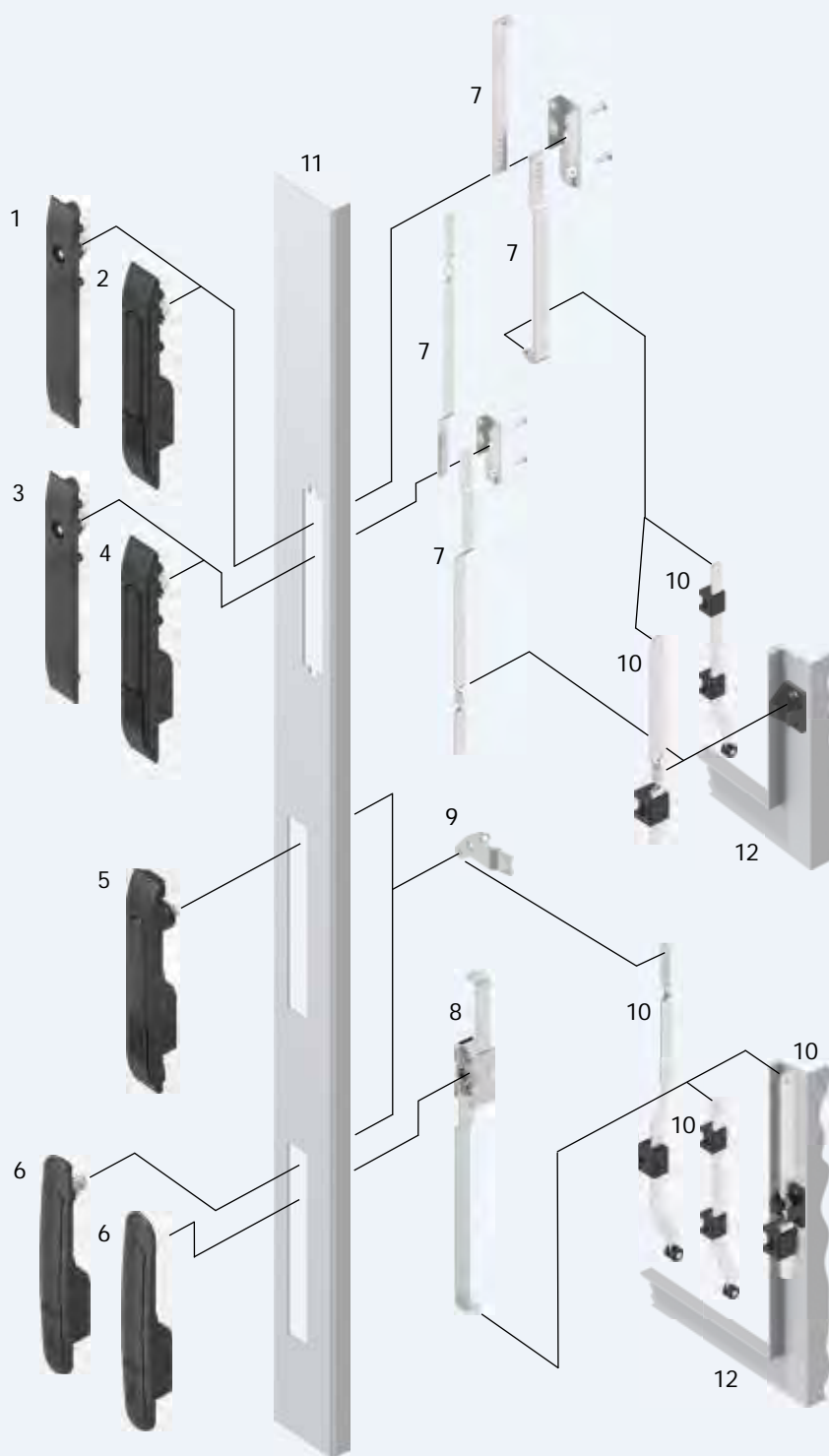
with mask	
Double bit 3	1160-U152
Double bit 5	1160-U153
FIAT	1160-U164

Square 6	1160-U109	1160-U120
Square 7	1160-U110	1160-U121
Square 8	1160-U111	1160-U122
Triangular 6.5 CNOMO	1160-U132	1160-U131
Triangular 7	1160-U112	1160-U123
Triangular 8	1160-U113	1160-U124
Double bit 3	1160-U114	1160-U125
Double bit 5	1160-U115	1160-U126
Daimler Benz	1160-U116	1160-U127
Slot 2x4	1160-U117	1160-U128
Hexagon female SW 8 with pin	1160-U118	1160-U129
Hexagon male SW 11	1160-U119	1160-U130
Push button	1160-U135	1160-U136

without mask	
Square 6	1160-U154
Square 7	1160-U155
Square 8	1160-U156
Triangular 6.5 CNOMO	1160-U165
Triangular 7	1160-U157
Triangular 8	1160-U158
Square female 8	1160-U163
Daimler Benz	1160-U159
Slot 2x4	1160-U160
Double bit 3	1160-U161
Double bit 5	1160-U162
Eastern Europe Ø 13 half-round	1160-U166

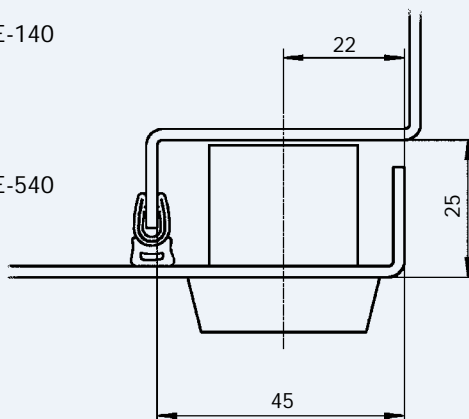


# Swinghandle and Escutcheon Program 1180



- 1 Escutcheon
- 2 Swinghandle 1180
- 3 Escutcheon
- 4 Swinghandle 1180
- 5 Swinghandle 1180
- 6 Swinghandle 1185
- 7 Rod
- 8 Rod control
- 9 Cam
- 10 Rod
- 11 Door
- 12 Housing / Frame

- 3E-120
- 3E-120, 3E-140
- 3E-220
- 3E-220
- 3E-320
- 3E-520, 3E-540



## 3E-100

Info

1 Quarter turns



2 Rod controls



3 Locking systems



4 Hinges

5 Seals

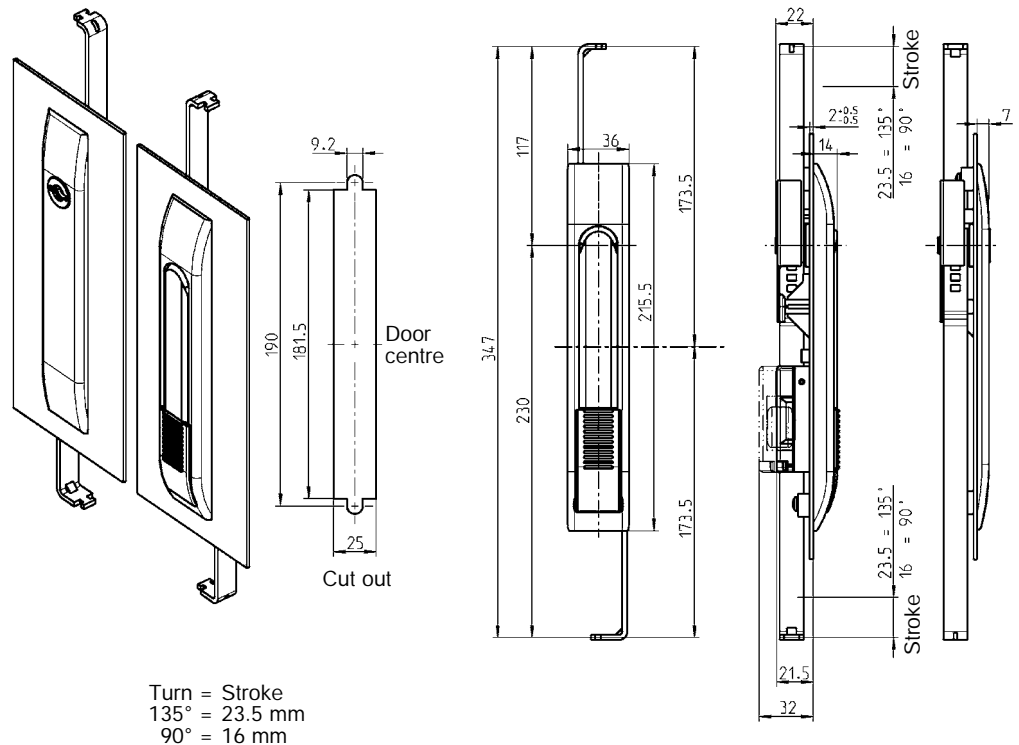
6 Handles

7 Aluminium windows

8 Miscellaneous

9 Special catalogues

Index



Turn = Stroke  
135° = 23.5 mm  
90° = 16 mm

Swinghandle polyamide GF black with push button (2100-U57),  
handle zinc die black, shaft zinc die zinc-plated, rods m.s. zinc-plated,  
fixing material m.s. zinc-plated, with seal

1180-U1

Escutcheon polyamide GF black, insert zinc die chrome-plated, rods m.s. zinc-plated,  
fixing material m.s. zinc-plated, with seal

with mask

Double bit 3

1180-U2

Double bit 5

1180-U3

FIAT

1180-U14

without mask

Square 6

1180-U4

Square 7

1180-U5

Square 8

1180-U6

Triangular 6.5 CNOMO

1180-U15

Triangular 7

1180-U7

Triangular 8

1180-U8

Square female 8

1180-U13

Daimler Benz

1180-U9

Slot 2x4

1180-U10

Double bit 3

1180-U11

Double bit 5

1180-U12




Eastern Europe Ø 13 half-round

1180-U16

#### Further parts see page

– Key 8B-120  
– Locking set 3XA-120  
3XA-240

– Locking set ELM  
Special catalogue Electronics

– Rod  
 outside 3ZA-120  
 inside 3ZA-320  
 inside 3ZB-120  
3ZB-220

### 3E-120

(3P-120)

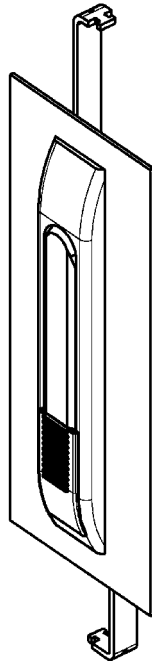
© EMKA Beschlagteile GmbH &amp; Co. KG • 2021 • www.emka.com

Items printed in gray without stock

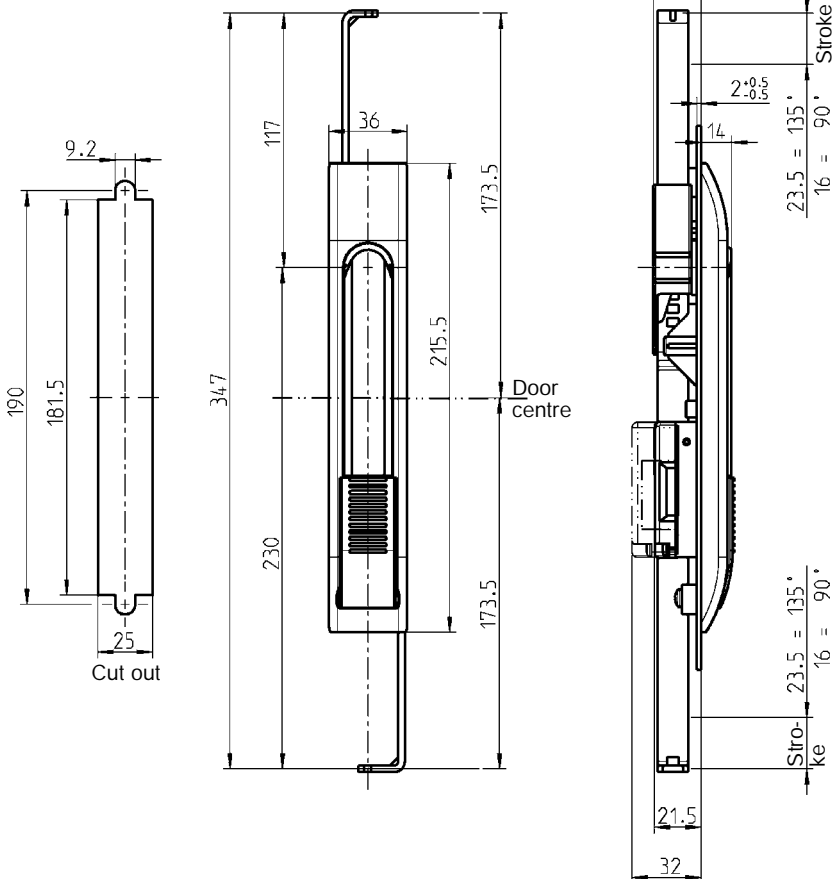
# Swinghandle 1180 with rods

## PROGRAM 1180

Swinghandle for pre-assembled rod control



Turn = Stroke  
 135° = 23.5 mm  
 90° = 16 mm



1 Quarter turns

2 Rod controls

3 Locking systems

4 Hinges

5 Seals

6 Handles

7 Aluminium windows

8 Miscellaneous

9 Special catalogues

Swinghandle polyamide GF black with push button (2100-U57), handle zinc die black powder-coated, shaft zinc die zinc-plated, fixing material m.s. zinc-plated, with seal

1180-U301

Rod control polyamide GF black, rods m.s. zinc-plated

Right-hand version

1180-U200-RE

Left-hand version

1180-U200-LI

Further parts see page

– Locking set 3XA-120  
 3XA-240

– Locking set ELM  
 Special catalogue Electronics

– Rod  
 outside 3ZA-120  
 inside 3ZA-320  
 inside 3ZB-120  
 3ZB-220

Info

1 Quarter turns



2 Rod controls



3 Locking systems



4 Hinges

5 Seals

6 Handles



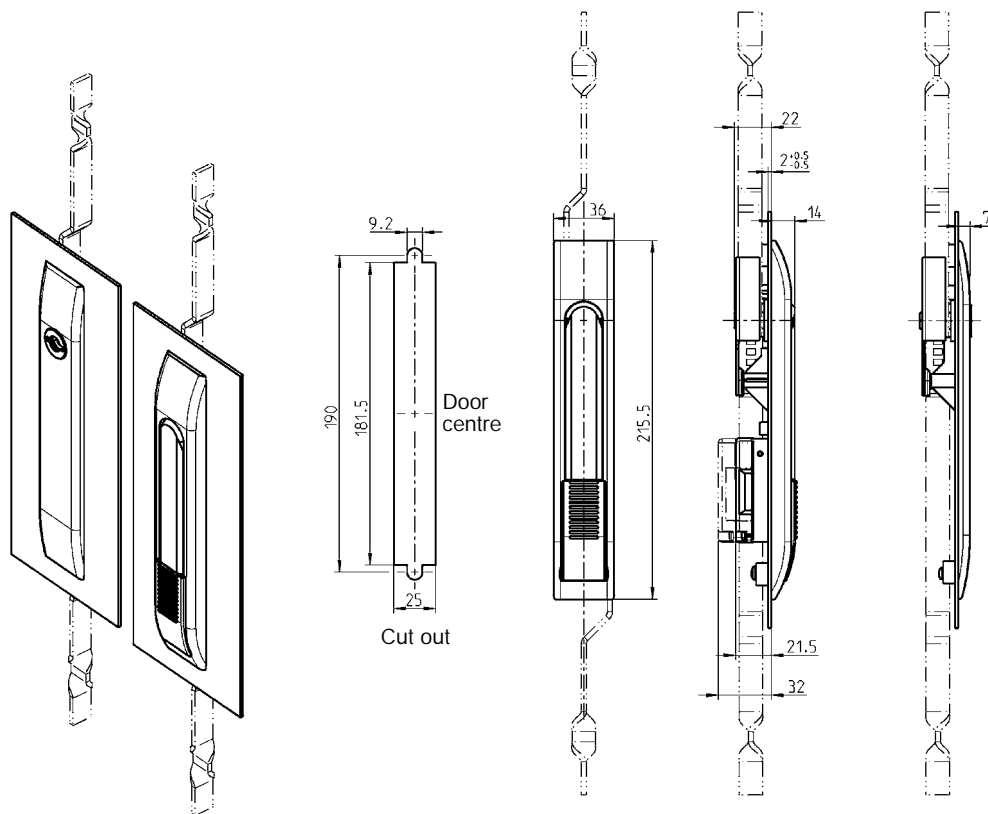
7 Aluminium windows

8 Miscellaneous

9 Special catalogues

#### Further parts see page

- Key 8B-120
- Locking set 3XA-120
- 3XA-240
- Locking set ELM
- Special catalogue Electronics
- Rod
- outside 3ZA-520



Swinghandle polyamide GF black with push button (2100-U57), handle zinc die black powder-coated, shaft zinc die zinc-plated, fixing material m.s. zinc-plated, with seal

1180-U101

Escutcheon polyamide GF black, insert zinc die chrome-plated, fixing material m.s. zinc-plated, with seal

#### with mask

Double bit 3	1180-U102
Double bit 5	1180-U103
FIAT	1180-U114

#### without mask

Square 6	1180-U104
Square 7	1180-U105
Square 8	1180-U106
Triangular 6.5 CNOMO	1180-U115
Triangular 7	1180-U107
Triangular 8	1180-U108
Square female 8	1180-U113
Daimler Benz	1180-U109
Slot 2x4	1180-U110
Double bit 3	1180-U111
Double bit 5	1180-U112
Eastern Europe Ø 13 half-round	1180-U116

Index

# Swinghandle 1180 with 3-point-locking system

## PROGRAM 1180

# EMKA

Info

## Beschlagteile



IP<sub>54</sub>



ELM

1 Quarter turns

2 Rod controls

3 Locking systems

4 Hinges

5 Seals

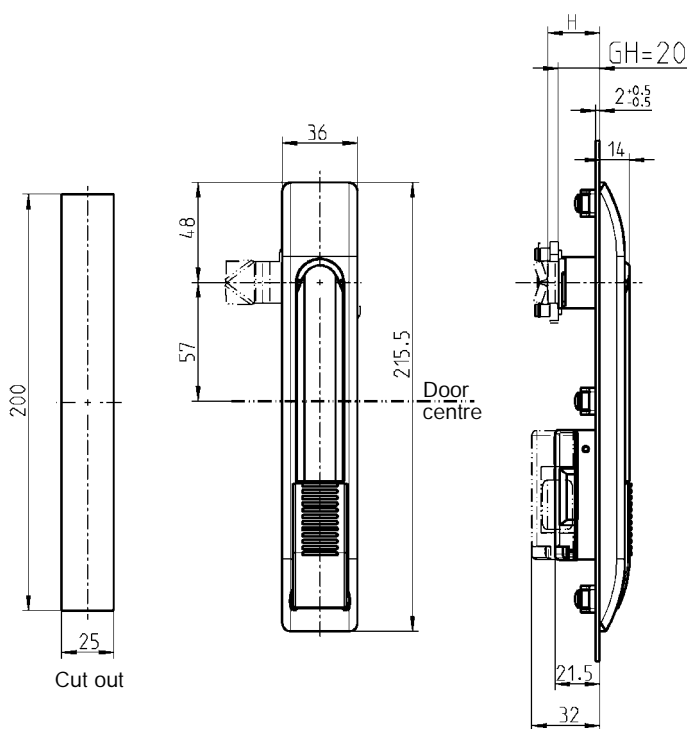
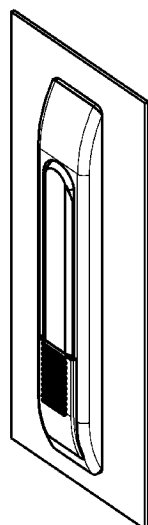
6 Handles

7 Aluminium windows

8 Miscellaneous

9 Special catalogues

Index



Swinghandle polyamide GF black with push button (2100-U57), handle zinc die black powder-coated, shaft zinc die zinc-plated, fixing material m.s. zinc-plated, fixing bridges polyamide GF. black, with seal

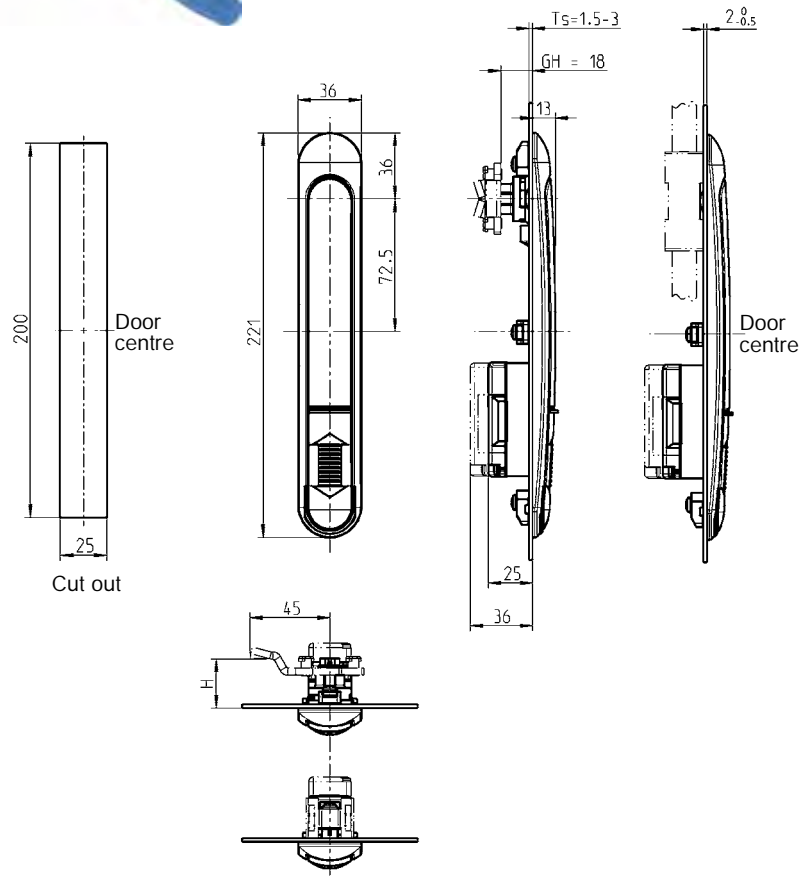
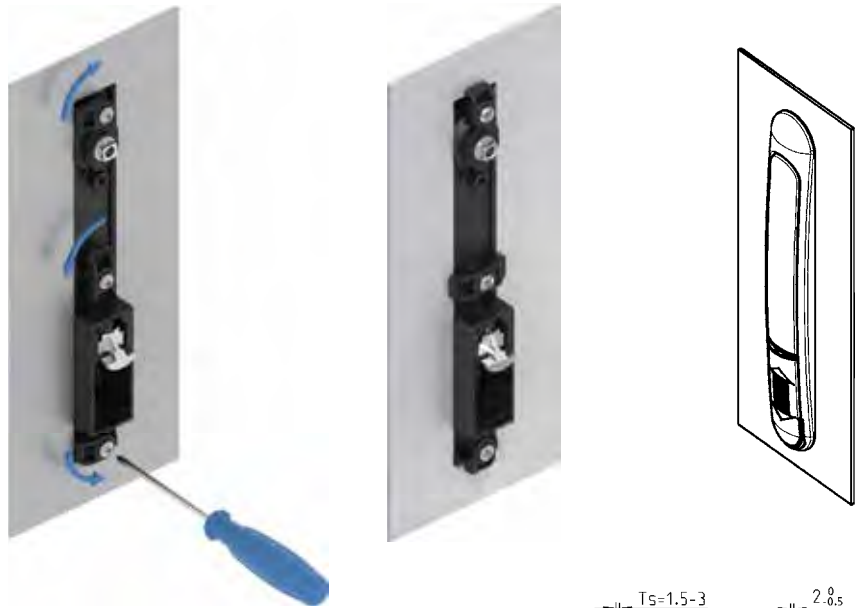
1180-U201

Further parts see page

- Locking set 3XA-120
- 3XA-240
- Locking set ELM
- Special catalogue Electronics
- Cam (GH = 20) 3YC-140

# Swinghandle 1185 for cam or rod control PROGRAM 1180

Turn pre-assembled fixing bridges by 90° and tighten



**Note:**  
Swinghandle without locking set

**Further parts see page**

- Locking set 3XA-120
- 3XA-140
- Locking set ELM
- Special catalogue Electronics
- Cam (stroke = 26) 3YC-120
- Rod control 3YA-480

Swinghandle polyamide GF black, shaft zinc die zinc-plated,  
fixing material m.s. zinc-plated, with seal

for cam

1185-U1

for rod control

1185-U2

# Swinghandle with push button 1185 for cam or rod control

PROGRAM 1180



1 Quarter turns

2 Rod controls

3 Locking systems

4 Hinges

5 Seals

6 Handles

7 Aluminium windows

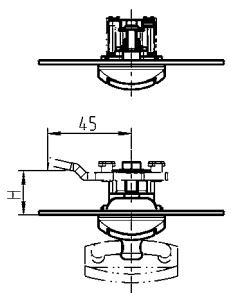
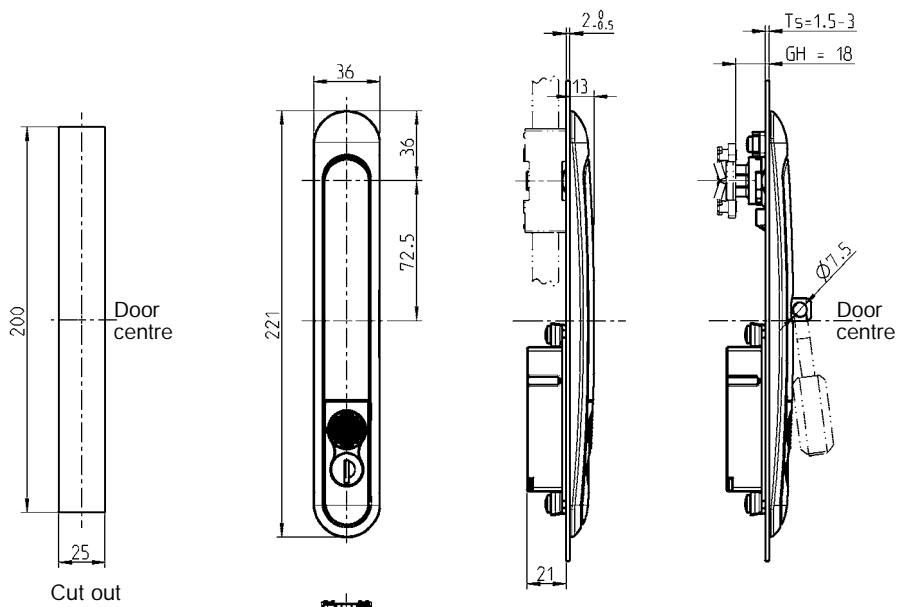
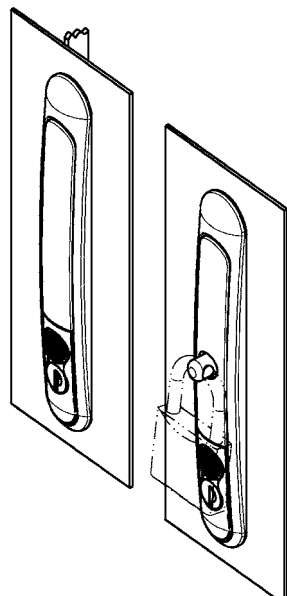
8 Miscellaneous

9 Special catalogues

Index



Adapter for cam 1185-U3, order separately



**Product benefits**

- Use of rod control or cam possible
- Protection against vandalism by recessed operating elements
- Additional locking possible by means of a padlock

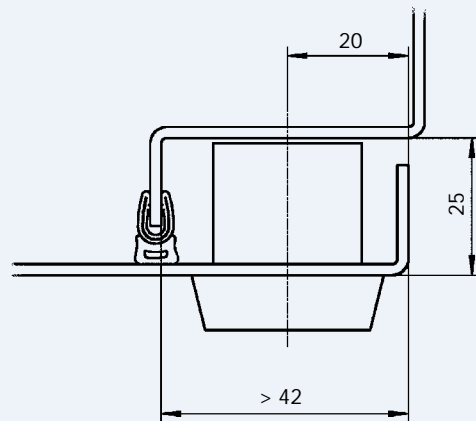
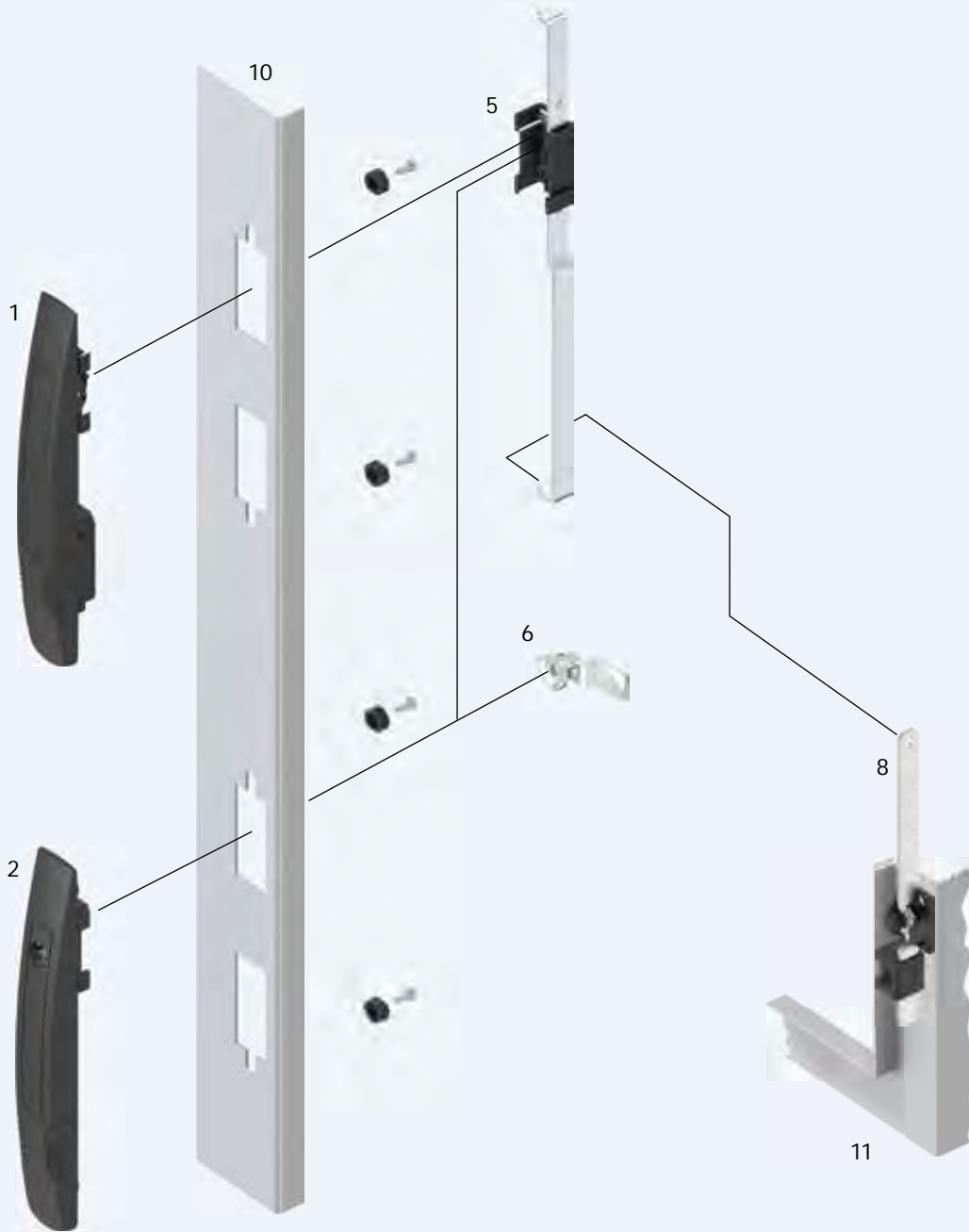
Swinghandle for rod control handle, escutcheon and push button zinc die black powder-coated; padlock stud AISI 303; shaft zinc die; round cylinder zinc die with stainless steel cap and dust cap; fixing material stainless steel; with seal. Each round cylinder has one key of m.s. nickel-plated.

keyed EK 333	1185-U4
keyed different	1185-U4-V
keyed EK 333 and for padlock	1185-U5
keyed different and for padlock	1185-U5-V
<b>Adapter for cam zinc die zinc-plated; bridge polyamide GF V0 black; with fixing material</b>	1185-U3

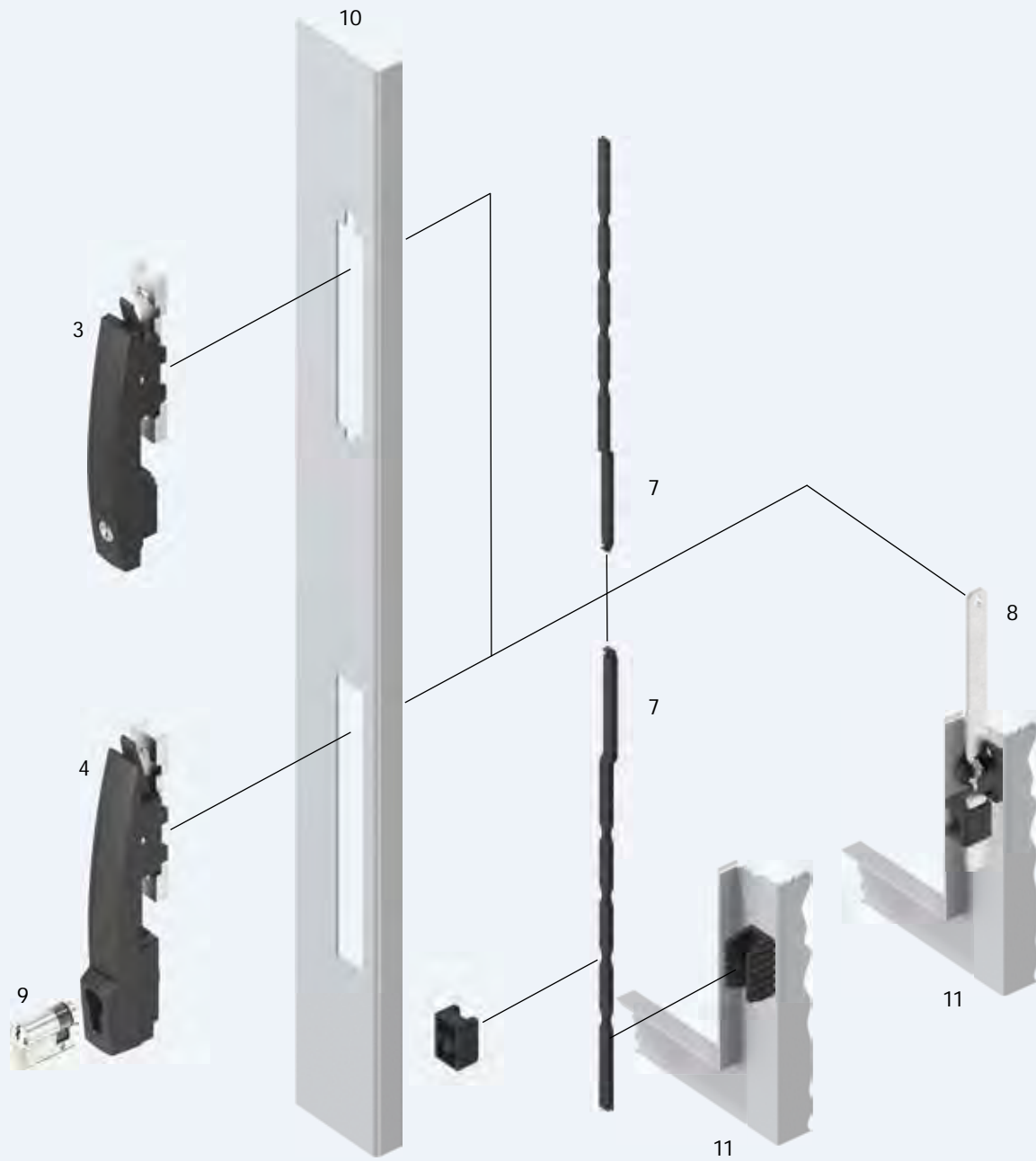


**Further parts see page**  
 – Cam (stroke = 26) 3YC-120  
 – Rod control 3YA-480

# Lifthandle and Escutcheon Program 1190

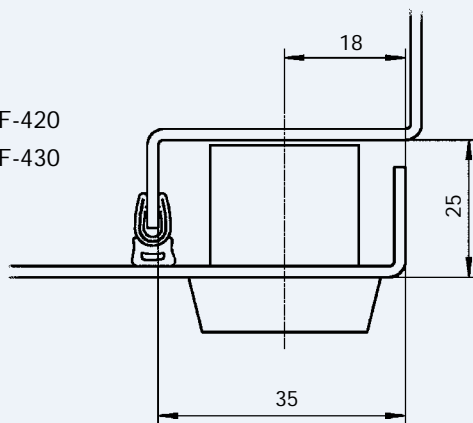




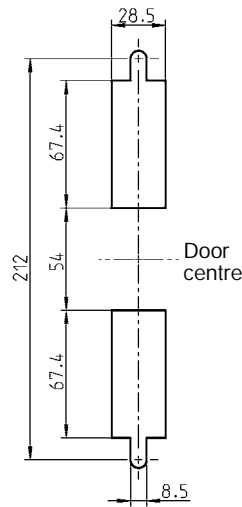
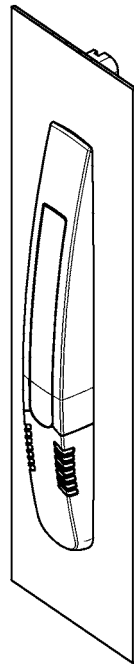


- 1 Lifthandle
- 2 Escutcheon
- 3 Lifthandle
- 4 Lifthandle
- 5 Rod
- 6 Cam
- 7 Rod
- 8 Rod
- 9 Profile half cylinder
- 10 Door
- 11 Housing / Frame

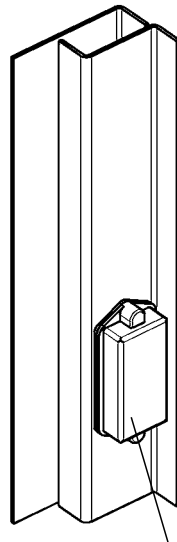
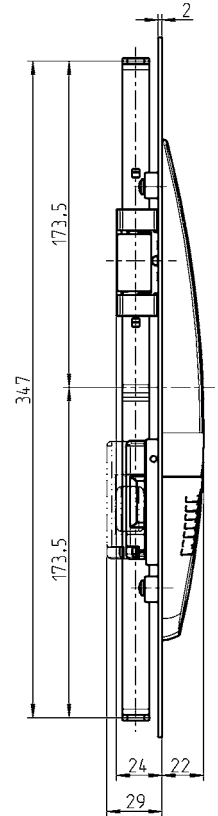
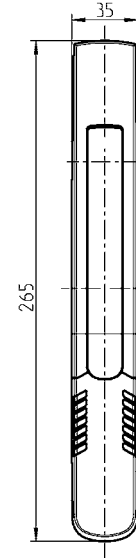
3F-120  
 3F-220  
 3F-320, 3F-420  
 3F-330, 3F-430



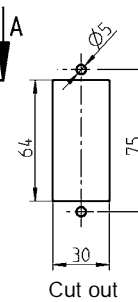
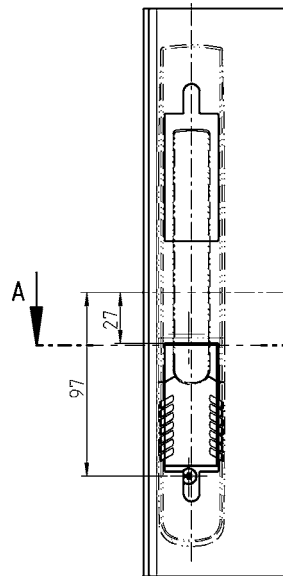
# 3F-100



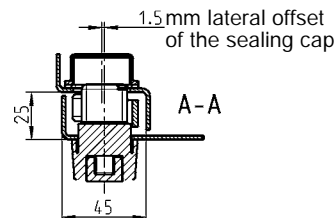
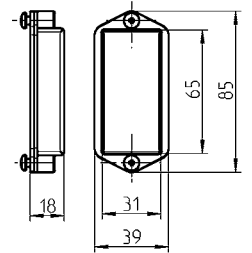
Cut out



Frame cover applicable outside the sealing



Cut out



**Note:**  
Frame cover only necessary for locking set from catalogue page 3XA-120

Rod movement is unidirectional  
Stroke 18 mm

Further parts see page

– Locking set 3XA-120  
3XA-240

– Rod

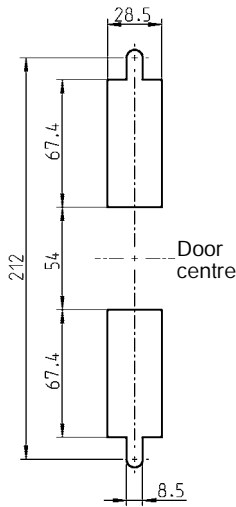
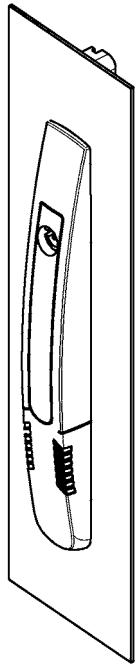
outside 3ZA-120  
3ZA-320

Lifthandle polyamide GF black, flat rod m.s. zinc-plated,  
push button polyamide black, fixing material m.s. zinc-plated

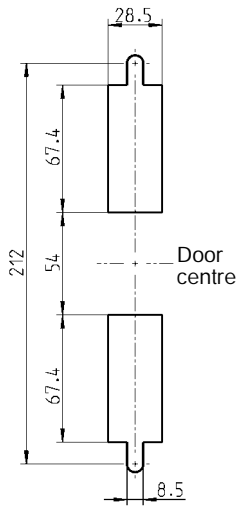
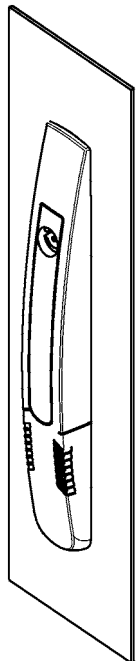
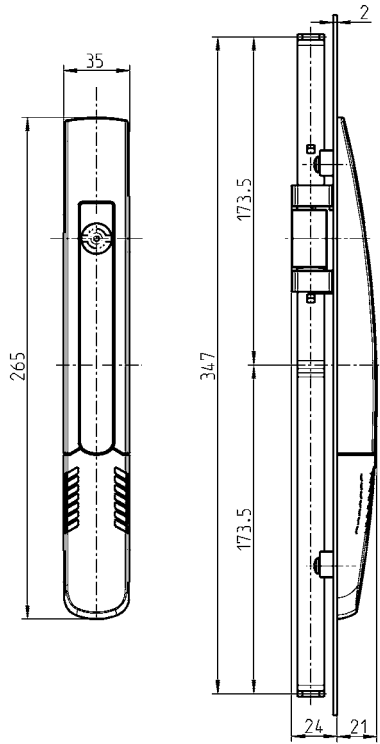
1190-U1

Frame cover polyamide GF black, screws m.s. zinc-plated,  
for LH and RH application, with seal

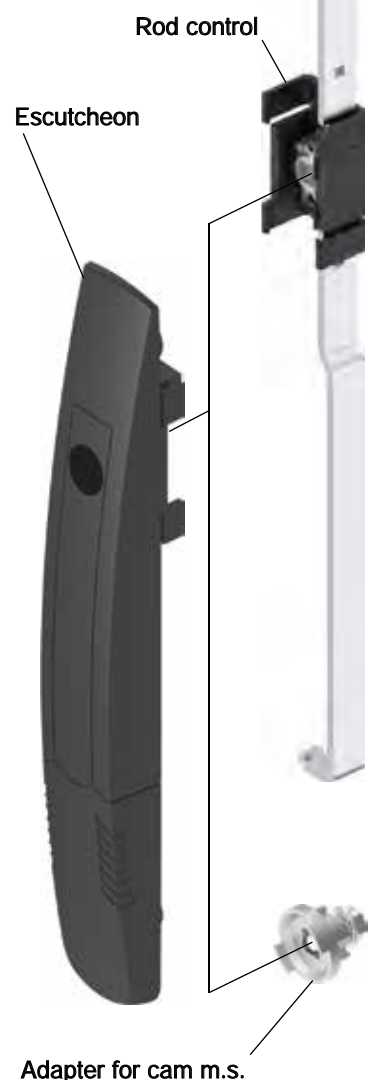
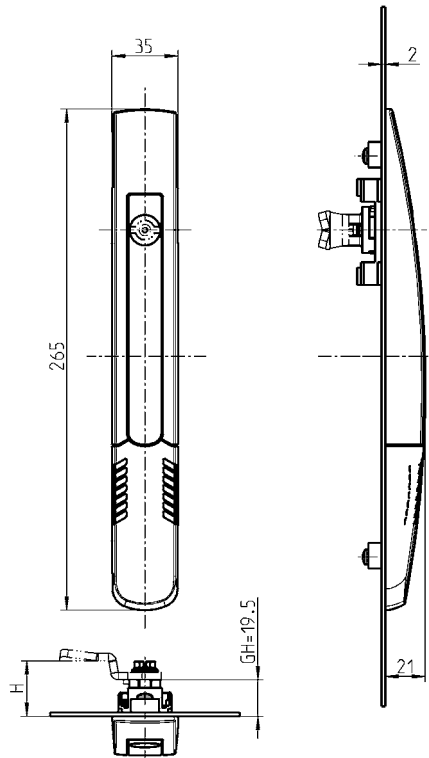
2100-U31



Cut out



Cut out



Adapter for cam m.s.

Rod movement is unidirectional  
Stroke 23.5 mm

Further parts see page  
– Rod

- outside 3ZA-120  
3ZA-320
- Insert 1B-140
- Cam (GH = 18) 1C-120

Note:  
When using the adapter for cam, the H-dimension increases by 1.5 mm

Escutcheon polyamide GF black, fixing material m.s. zinc-plated

1190-U3

Rod control polyamide GF black, rods m.s. zinc-plated

1190-U4

Adapter for cam m.s. zinc die, screw m.s. zinc-plated

1190-U5

Info

1 Quarter turns

2 Rod controls

3 Locking systems

4 Hinges

5 Seals

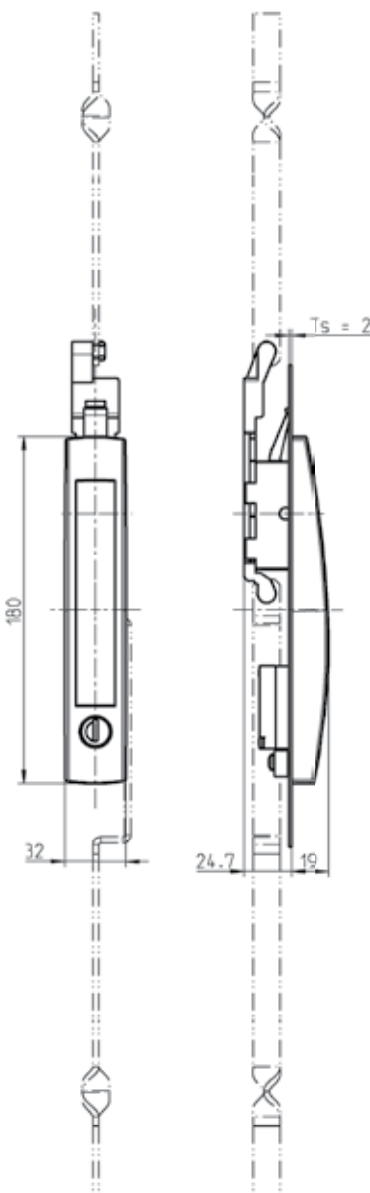
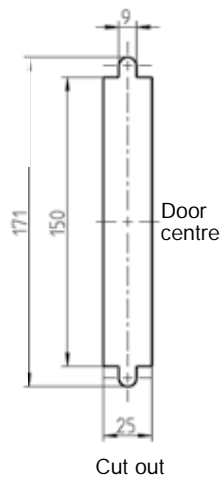
6 Handles

7 Aluminium windows

8 Miscellaneous

9 Special catalogues

Index



Rod movement is unidirectional

Stroke 18 mm

Further parts see page  
– Rod

outside 3ZA-560

Lifthandle polyamide GF black, rod control zinc die, screw m.s. zinc-plated, round cylinder with stainless steel cap and dust cap. Each round cylinder has one silver steel key with grip polyamide GF black

keyed EK 333

1190-U206

keyed different

1190-U206-V

**Insert zinc die chrome-plated**

Square 6

1190-U209

Square 7

1190-U210

Square 8

1190-U211

Triangular 6.5 CNOMO

1190-U231

Triangular 7

1190-U212

Triangular 8

1190-U213

Double bit 3

1190-U214

Double bit 5

1190-U215

Daimler Benz

1190-U216

Slot 2x4

1190-U217

Hexagon female SW 8 with pin

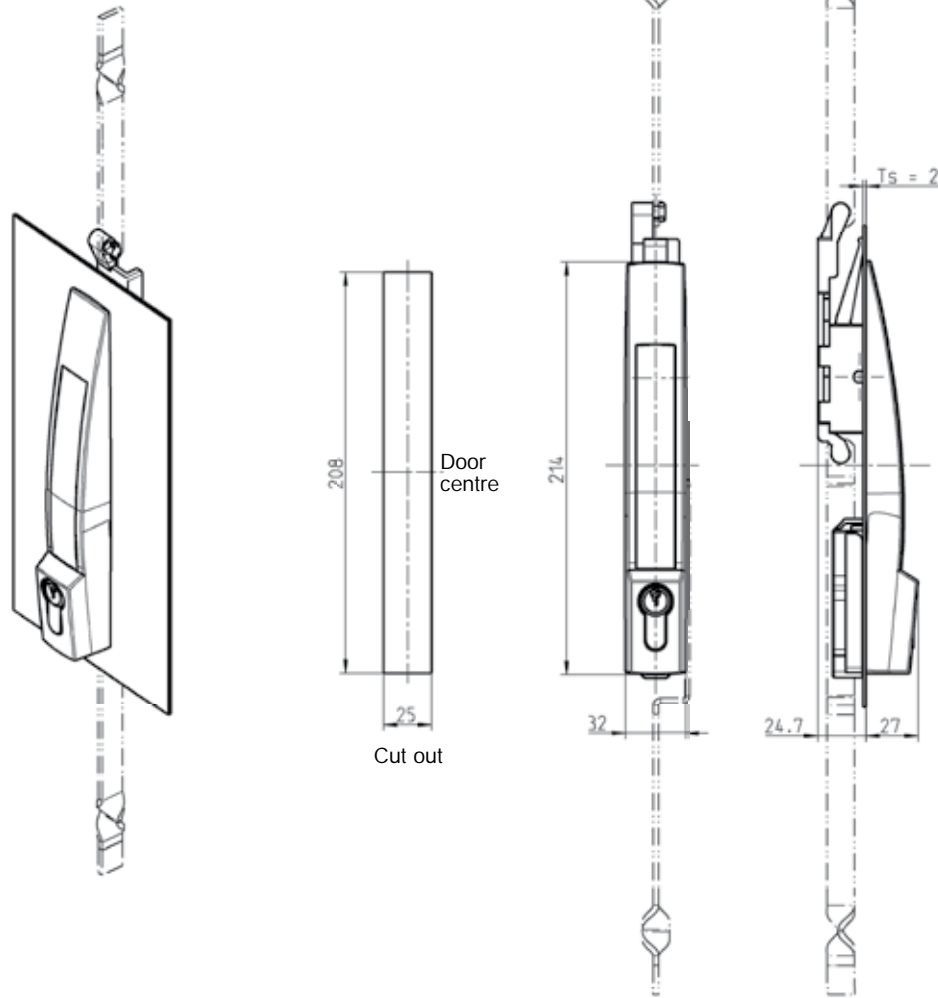
1190-U218

Hexagon male SW 11

1190-U219

# Lifthandle lock

## PROGRAM 1190



**Note:**  
Profile half cylinder 40 mm (A = 30 mm), set locking cam at 11 o'clock.



1 Quarter turns

2 Rod controls

3 Locking systems

4 Hinges

5 Seals

6 Handles

7 Aluminium windows

8 Miscellaneous

9 Special catalogues

Index

Rod movement is unidirectional  
Stroke 18 mm

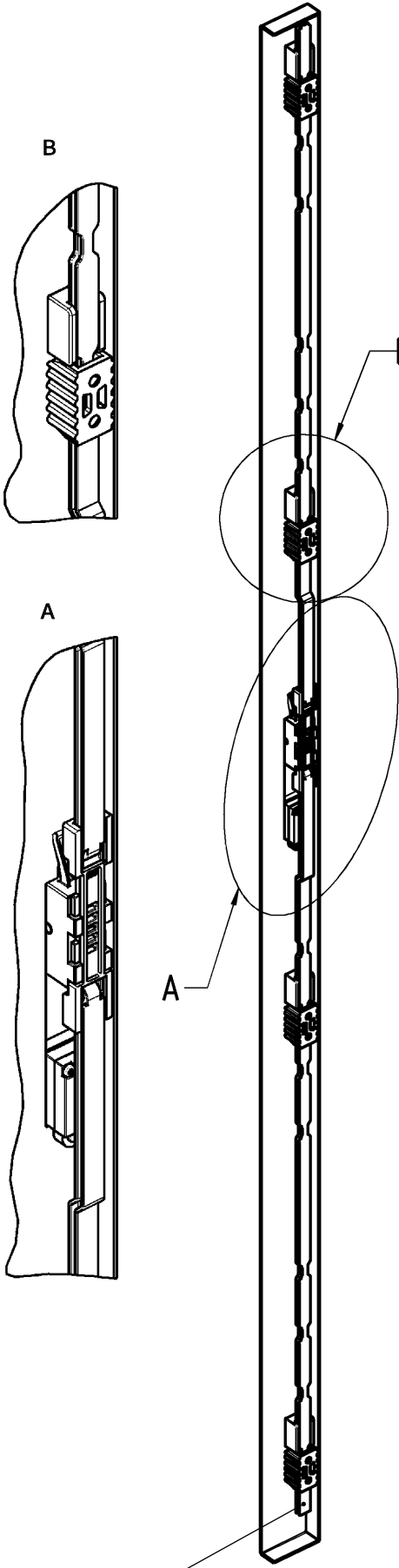
Further parts see page

- Rod outside 3ZA-560
- Profile half cylinder 3XB-320

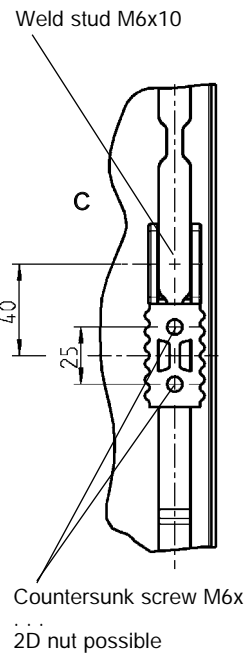
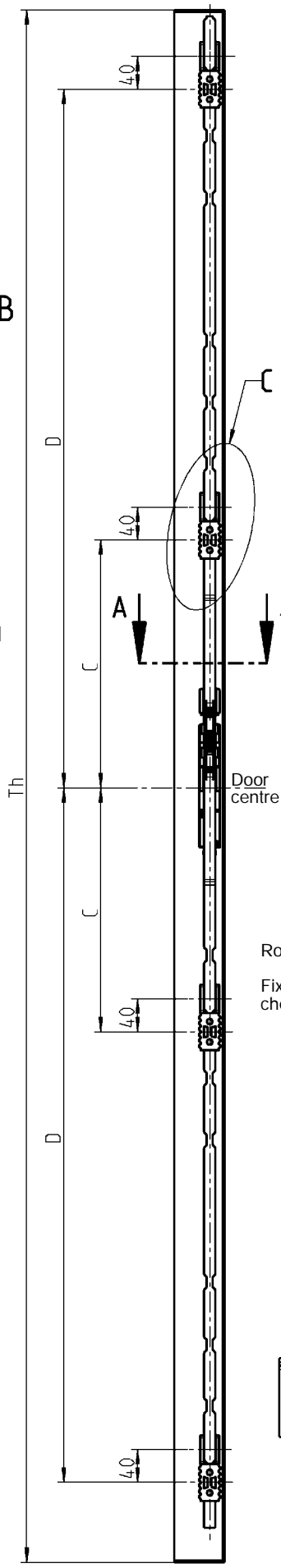
Lifthandle polyamide GF black,  
rod control zinc die, screw m.s. zinc-plated

1190-U306

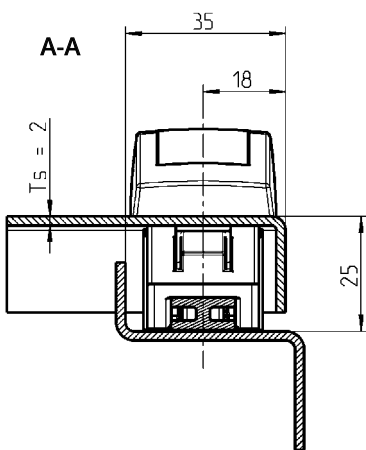
# Complete lifthandle locking system PROGRAM 1190

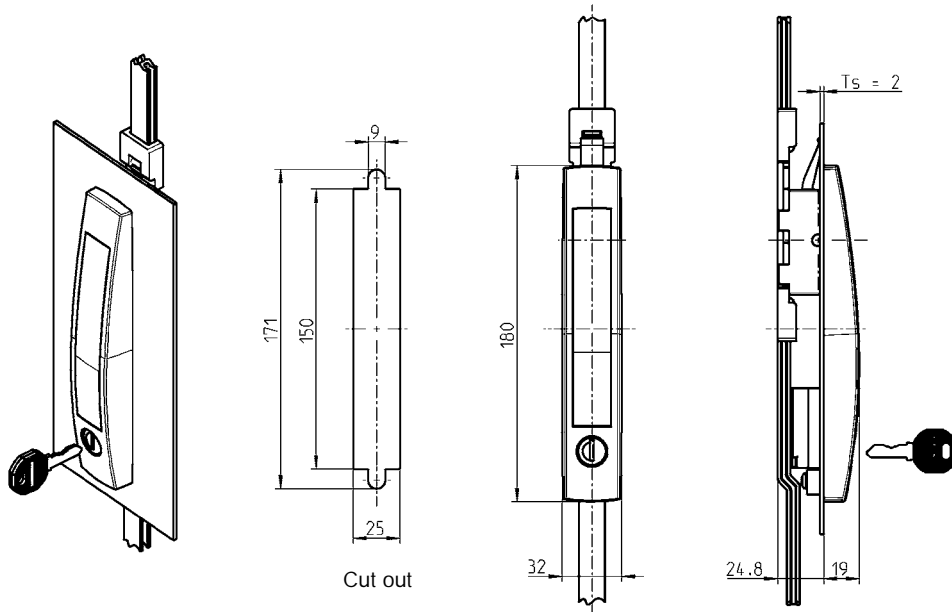


Rods have to be cut according to the height of the door!



Rod movement is unidirectional  
Fixing material for the rod guide and catches are not included in scope of delivery





Lifthandle polyamide GF black, rod control zinc die, 2 rods polyamide GF black, number of choice clip-in rod guides plastic black for weld stud M6x10, number of choice catches polyamide GF black for countersunk screw M6, screw m.s. zinc-plated, round cylinder with stainless steel cap and dust protection. Each round cylinder has one silver steel key with grip polyamide GF black

Quantity rod guides and catches	2	4
keyed EK 333	1190-U7	1190-U6
keyed different	1190-U7-V	1190-U6-V

### Insert zinc die chrome-plated

Square 6	1190-U20	1190-U9
Square 7	1190-U21	1190-U10
Square 8	1190-U22	1190-U11
Triangular 6.5 CNOMO	1190-U32	1190-U31
Triangular 7	1190-U23	1190-U12
Triangular 8	1190-U24	1190-U13
Double bit 3	1190-U25	1190-U14
Double bit 5	1190-U26	1190-U15
Daimler Benz	1190-U27	1190-U16
Slot 2x4	1190-U28	1190-U17
Hexagon female SW 8 with pin	1190-U29	1190-U18
Hexagon male SW 11	1190-U30	1190-U19

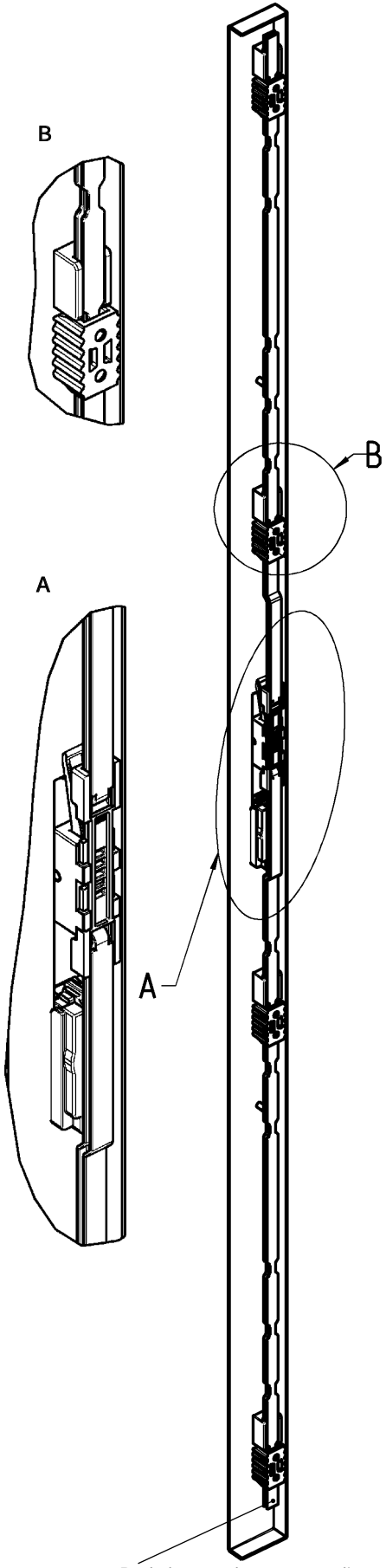
Door height Th	Dim. C	Dim. D
800 - 1200	-	300
1200 - 1600	-	450
1600 - 1900	300	700
1900 - 2200	300	850

Stroke 18 mm

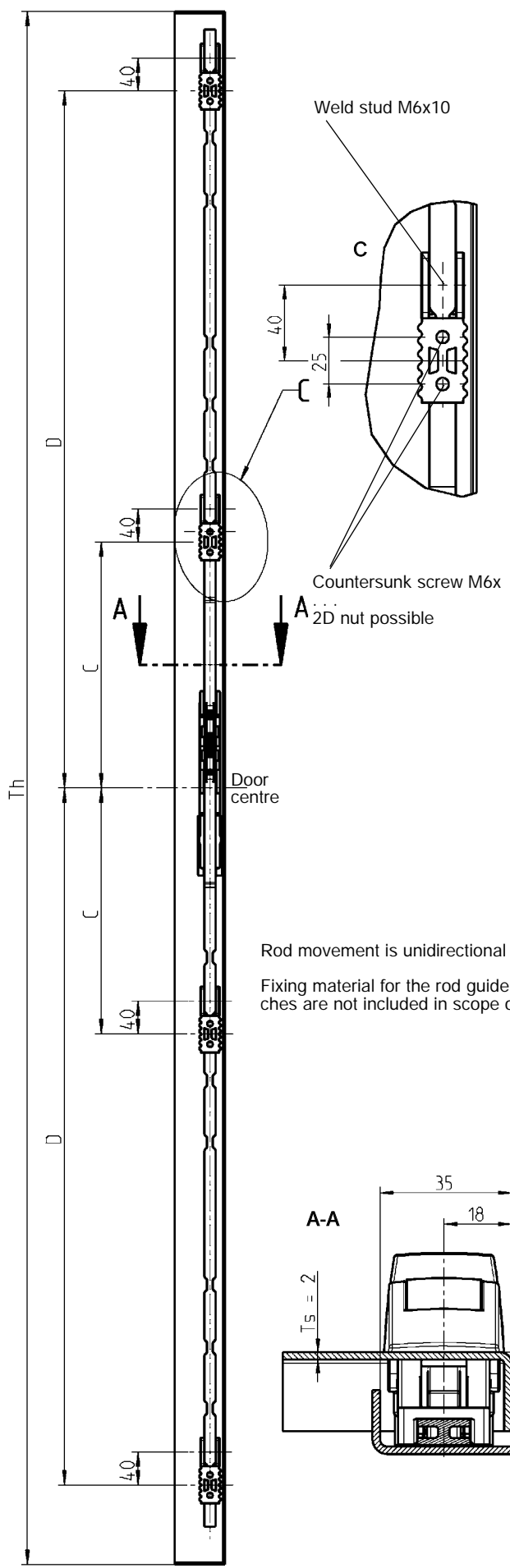
Further parts see page  
Assembly instruction 3F-440

# Complete lifthandle locking system

## PROGRAM 1190



Rods have to be cut according to the height of the door!



Rod movement is unidirectional  
 Fixing material for the rod guide and catches are not included in scope of delivery



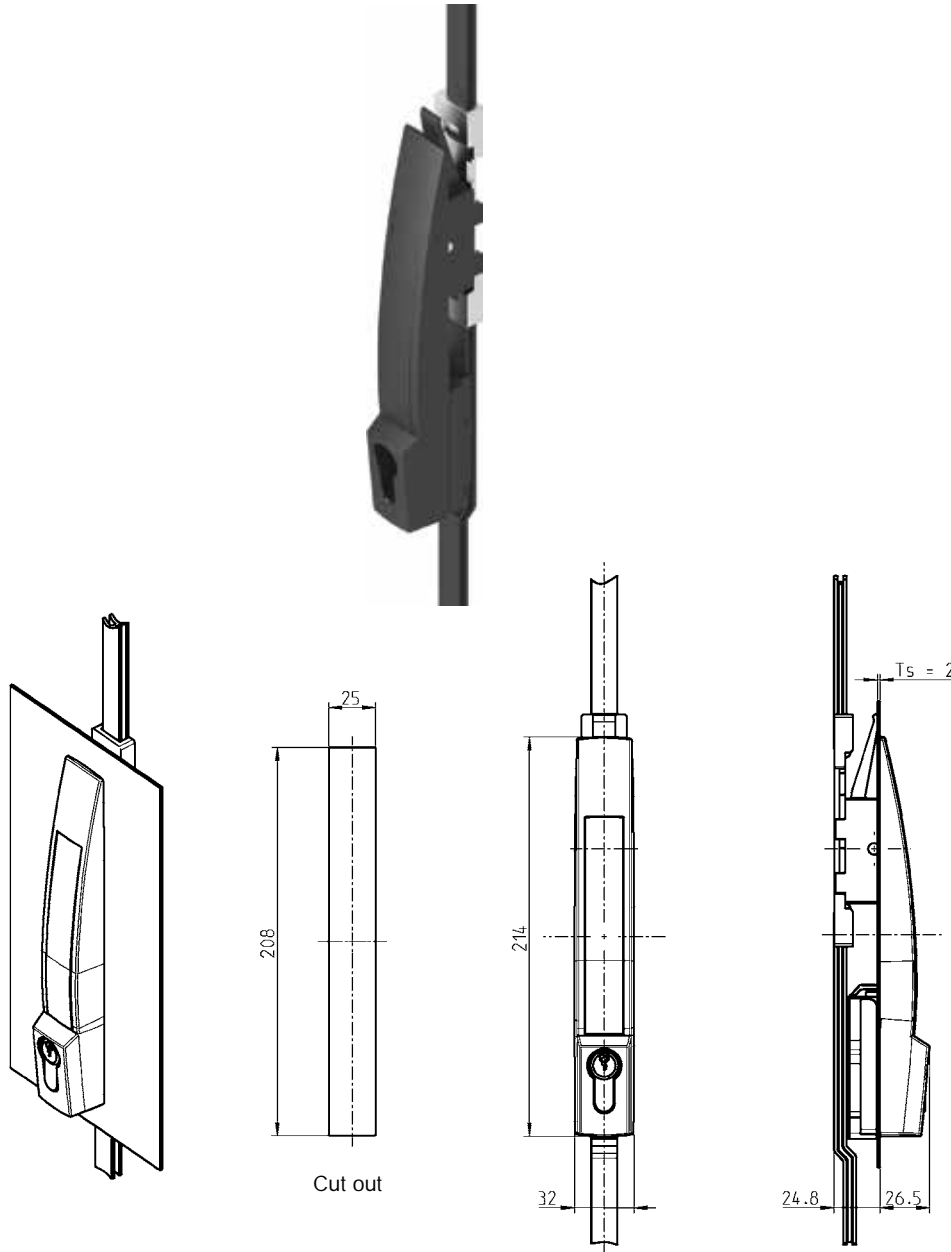




1 Quarter turns



2 Rod controls



**Note:**  
Profile half cylinder 40 mm (A = 30 mm), set locking cam at 11 o'clock.



3 Locking systems

4 Hinges

5 Seals

6 Handles

7 Aluminium windows

8 Miscellaneous

9 Special catalogues

Index

Lifthandle polyamide GF black, rod control zinc die, 2 rods polyamide GF black, number of choice clip-in rod guides plastic black for weld stud M6x10, number of choice catches polyamide GF black for countersunk screw M6, screw m.s. zinc-plated

Quantity rod guides and catches	2	4
	1190-U107	1190-U106
Door height Th	Dim. C	Dim. D
800 - 1200	-	300
1200 - 1600	-	450
1600 - 1900	300	700
1900 - 2200	300	850

Stroke 18 mm

Further parts see page  
 – Assembly instruction 3F-440  
 Profile half cylinder 3XB-320

Info

1 Quarter turns



2 Rod controls



3 Locking systems



4 Hinges

5 Seals

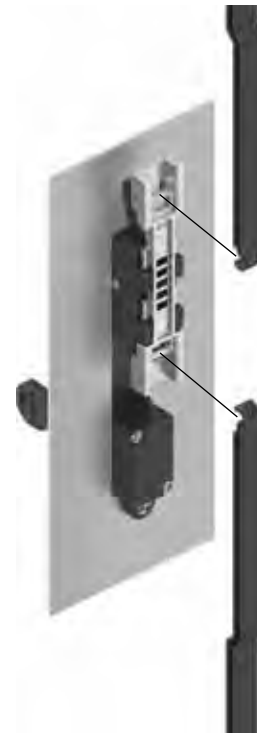
6 Handles

7 Aluminium windows

8 Miscellaneous

9 Special catalogues

Index



- Insert lifthandle through cut out
- Mount plastic washer and screw

- Slide the rod guide onto the rods
- Hook in the rods



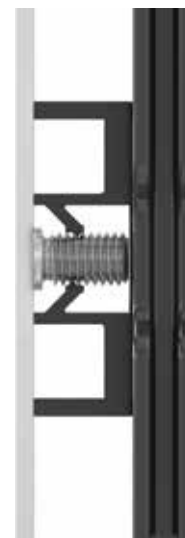
Rod guide with rod pictured transparent

Pull-out force:  $F_{min.} = 350 \text{ N}$   
Application force: Typical value  $F \approx 135 \text{ N}$

These values refer to threads with surface raw or zinc-plated and grease-free.



Mounting the rod guide on the welding studs

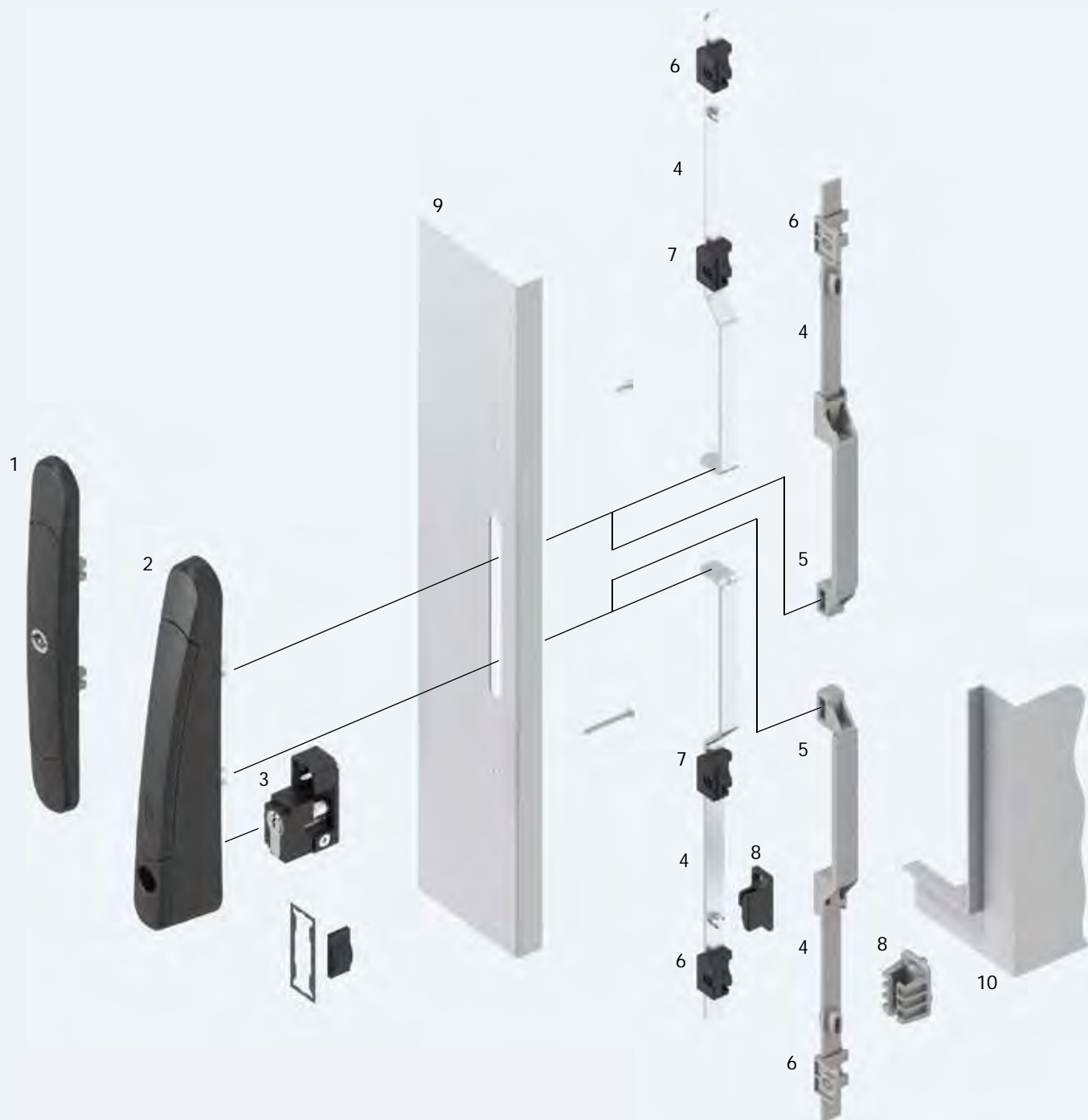


Rod guide ready mounted

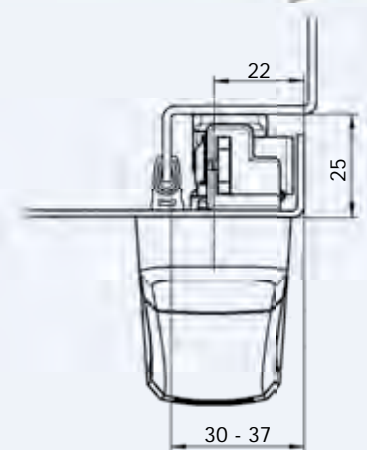
Further parts see page  
– Article description

3F-420  
3F-430

# Escutcheon and Lifthandle for small bending area Program 1390



- |    |  |                  |
|----|--|------------------|
| 1  | Escutcheon                                   | 3FA-120; 3FA-130 |
| 2  | Lifthandle                                   | 3FA-140; 3FA-150 |
| 3  | Locking set                                  |                  |
| 4  | Rod (outside the sealing)                    |                  |
| 5  | Rod connector                                |                  |
| 6  | Rod guide                                    |                  |
| 7  | Rod guide (necessary up to door height 1600) |                  |
| 8  | Catch  |                  |
| 9  | Door   |                  |
| 10 | Housing / Frame                              |                  |



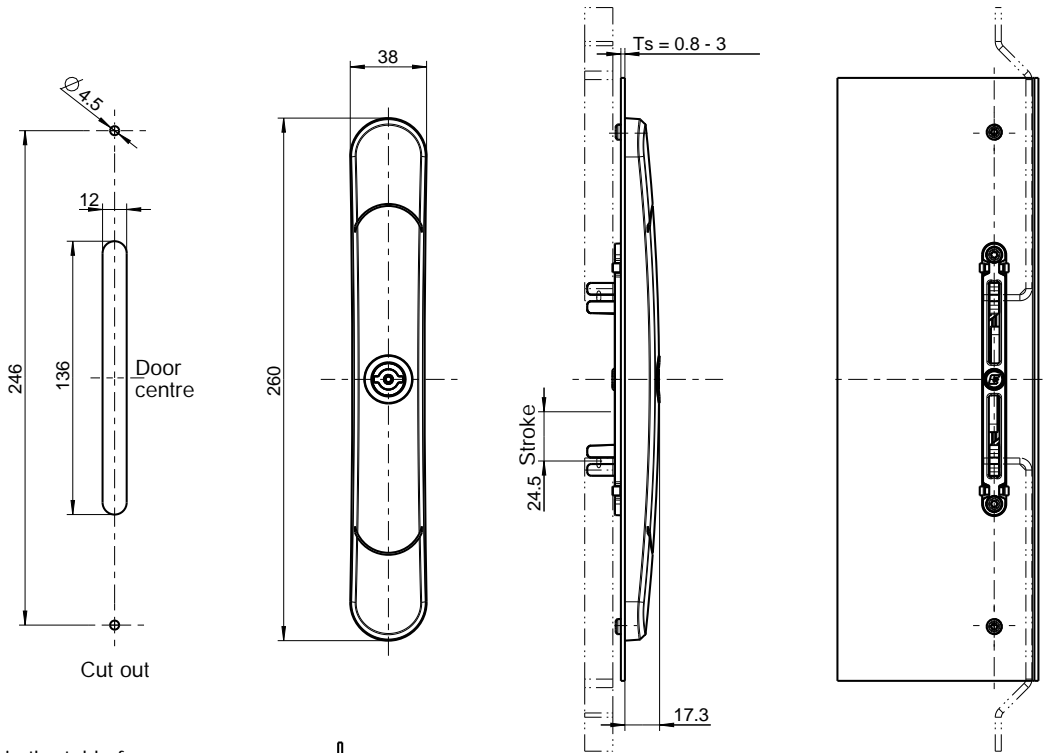
## 3FA-100

# Escutcheon for bending area, variable

## PROGRAM 1390

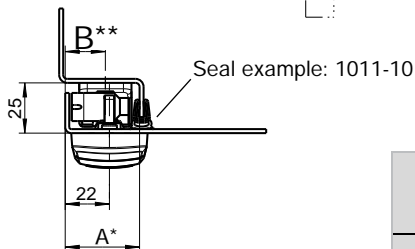


- Product benefits**
- Bi-directional escutcheon
  - Variable positioning of the rods matching the hinge fixing
  - Small cut out due to outside mechanism
  - Innovative, new and low-priced technology
  - Attractive design
  - Allows small bending area 33 x 25 mm or 37 x 25 mm for more usable clearance
  - Patented



\* The values in the table for dimension A with seal refer to the seal 1011-10. With other seals, the values for dimension A differ.

\*\* Dimension B should have the same value as the fixing dimension of the hinge bracket if the door is to be right / left and reversible.



Locking type (see right)	Dimension A	
	without seal	with seal
1	30	33
2	30	33
3	33	37

### Locking types



1

Rod with cut out



2

Rod with single roller



3

Rod with double roller



Escutcheon polyamide GF black; insert zinc die chrome-plated;  
rack zinc die raw; fixing material m.s. zinc-plated; with spring

Square 6	1390-U33
Double bit 3	1390-U38
Double bit 5	1390-U39

Escutcheon polyamide GF silver grey metallic;  
insert zinc die raw; rack zinc die raw; fixing material m.s. zinc-plated; with spring

Square 6	on request
Double bit 3	1390-U38-CX
Double bit 5	on request

Rod movement is bi-directional

**Note:** Dimension B depending on the hinge to be used

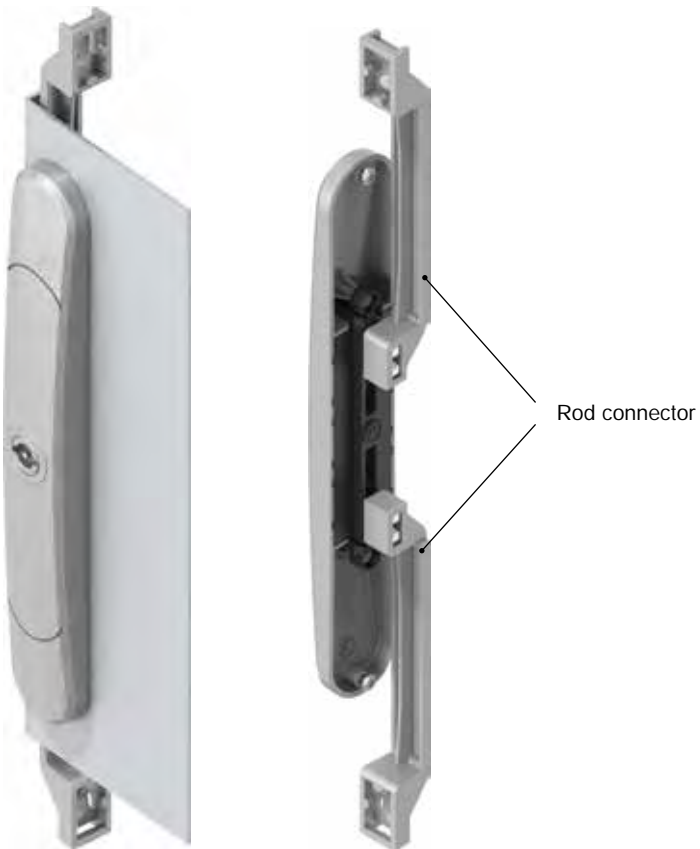
Further parts see page

-Rod

3ZA-610

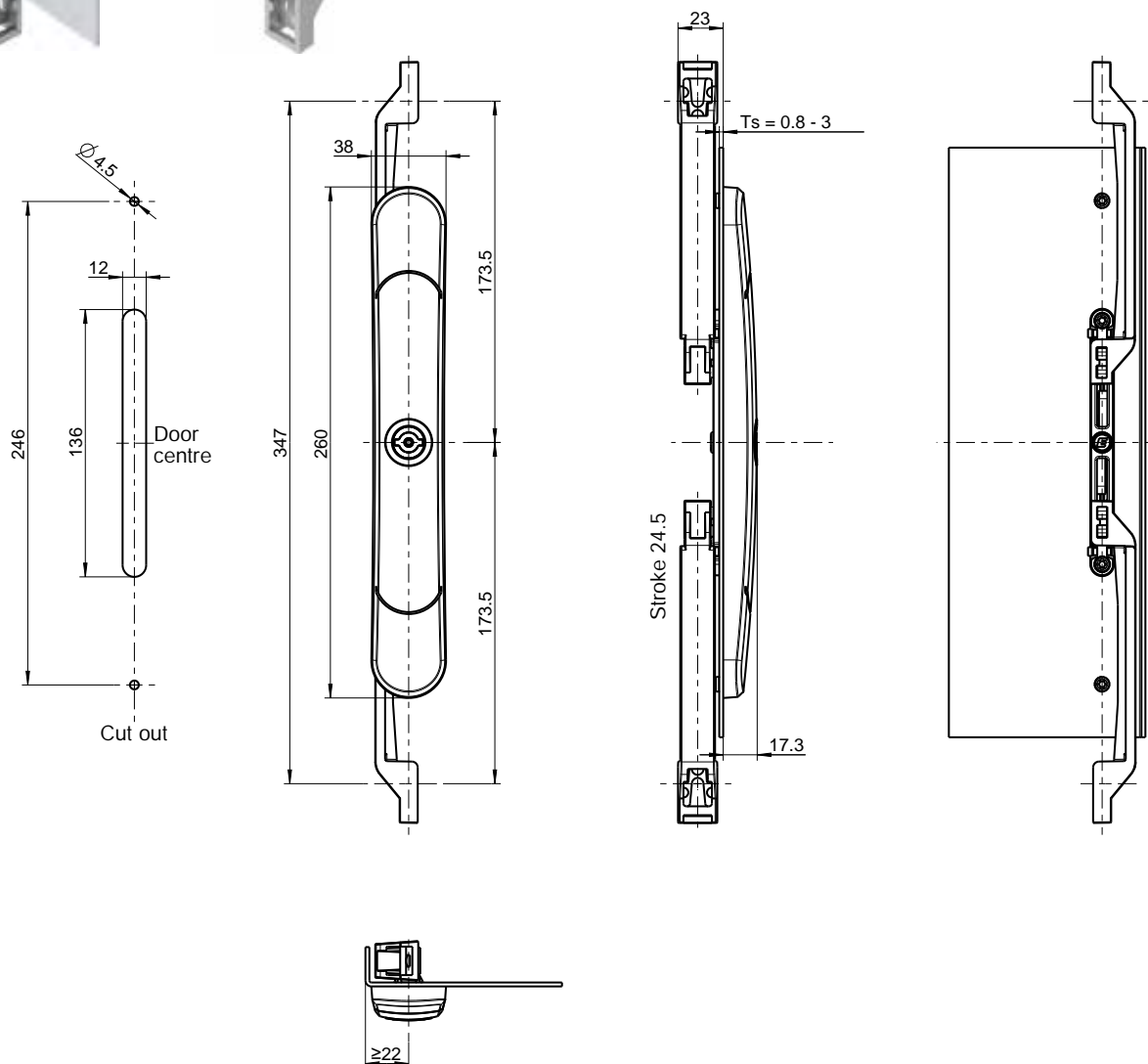
# Escutcheon for smaller bending area

## PROGRAM 1390

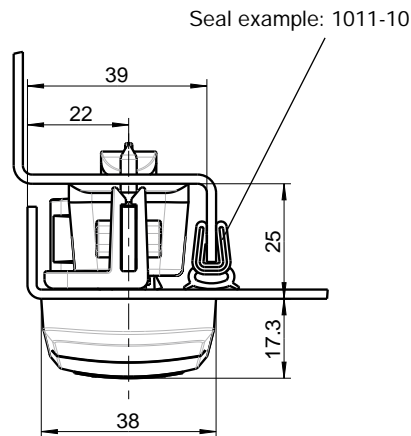


### Product benefits

- Bi-directional escutcheon
- All common rods can be used with the rod connector
- Small cut out due to outside mechanism
- Innovative, new and low-priced technology
- Attractive design
- Patented



Latch example



Escutcheon polyamide GF black; insert zinc die chrome-plated; rack zinc die raw; fixing material m.s. zinc-plated; with spring

Square 6	1390-U33
Double bit 3	1390-U38
Double bit 5	1390-U39

**Rod connector polyamide GF black**

Necessary for rods from catalogue page 3ZA-120 to 3ZA-340	on request
---	------------

Escutcheon polyamide GF silver grey metallic; insert zinc die raw; rack zinc die raw; fixing material m.s. zinc-plated; with spring

Square 6	on request
Double bit 3	1390-U38-CX
Double bit 5	on request

**Rod connector polyamide GF silver metallic**

Necessary for rods from catalogue page 3ZA-120 to 3ZA-340	1121-168-CX
---	-------------

Rod movement is bi-directional

**Note:**  
Please order 2 rod connectors per escutcheon

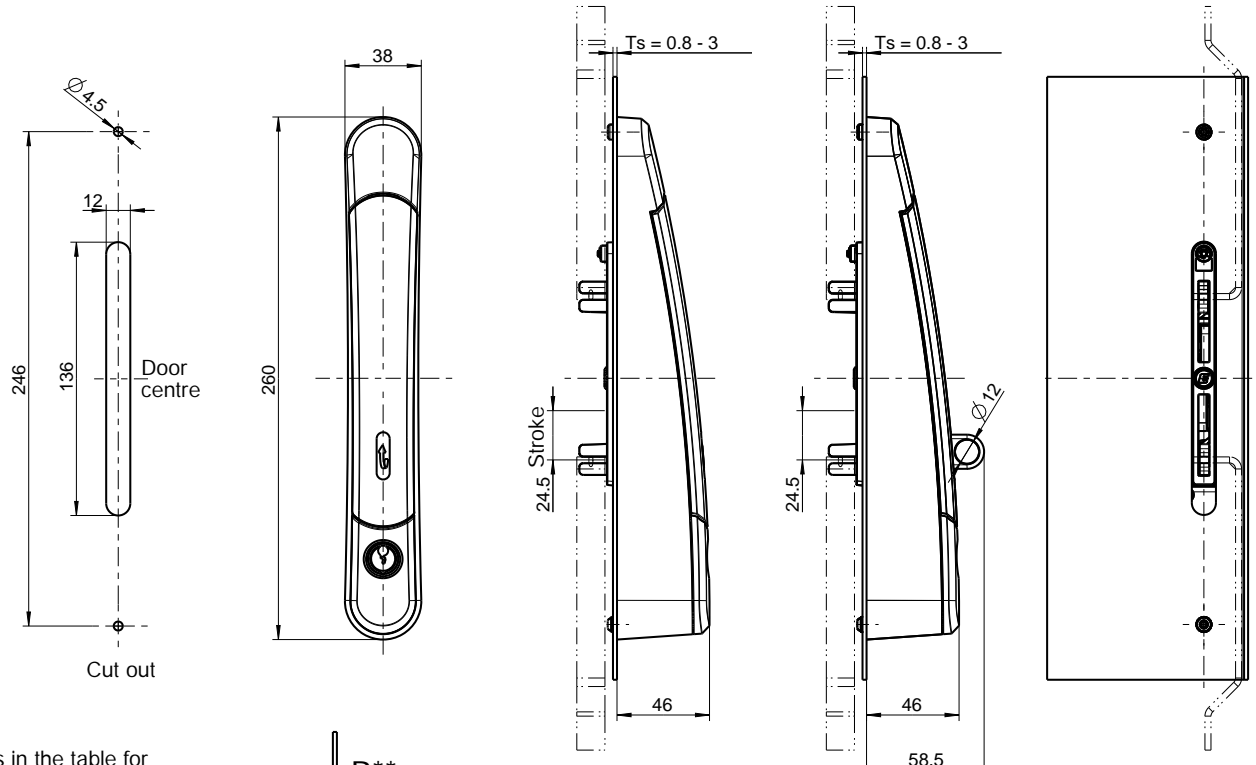
**Further parts see page**  
– Rod from 3ZA-120 to 3ZA-340

# Lifthandle for small bending area, variable

## PROGRAM 1390

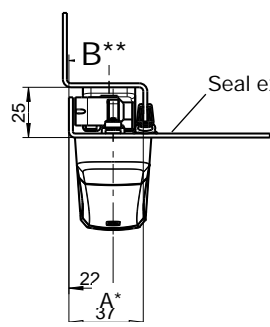


- Product benefits**
- Bi-directional lifthandle
  - Variable positioning of the rods matching the hinge fixing
  - Small cut out due to outside handle mechanism
  - Innovative, new and low-priced technology
  - Attractive design
  - Allows small bending area 33 x 25 mm or 37 x 25 mm for more usable clearance
  - Patented



\* The values in the table for dimension A with seal refer to the seal 1011-10. With other seals, the values for dimension A differ.

\*\* Dimension B should have the same value as the fixing dimension of the hinge bracket if the door is to be right / left and reversible.



Locking type (see right)	Dimension A	
	without seal	with seal
1	30	33
2	30	33
3	33	37



### Locking types



1

Rod with cut out



2

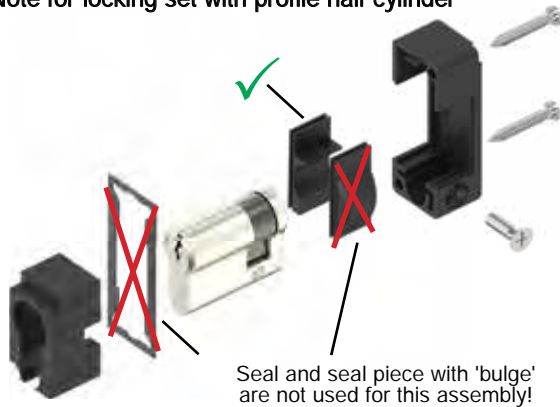
Rod with single roller



3

Rod with double roller

### Note for locking set with profile half cylinder



Seal and seal piece with 'bulge' are not used for this assembly!



### Lifthandle polyamide GF black; rack zinc die raw; fixing material m.s. zinc-plated; with spring

- Ⓐ for locking sets with profile half cylinder, round cylinder and insert
- Ⓑ for locking sets with push button, KABA cylinder and ASSA cylinder

Ⓐ Cover with round hole	1390-U1
Ⓐ Cover with round hole and for padlock	1390-U2
Ⓑ Cover with oval hole	1390-U3
Ⓑ Cover with oval hole and for padlock	1390-U4

### Lifthandle polyamide GF silver grey metallic; rack zinc die raw; fixing material m.s. zinc-plated; with spring

- Ⓐ for locking sets with profile half cylinder, round cylinder and insert
- Ⓑ for locking sets with push button, KABA cylinder and ASSA cylinder

Ⓐ Cover with round hole	1390-U1-CX
Ⓐ Cover with round hole and for padlock	on request
Ⓑ Cover with oval hole	on request
Ⓑ Cover with oval hole and for padlock	on request

Rod movement is bi-directional

**Note:** Dimension B depending on the hinge to be used

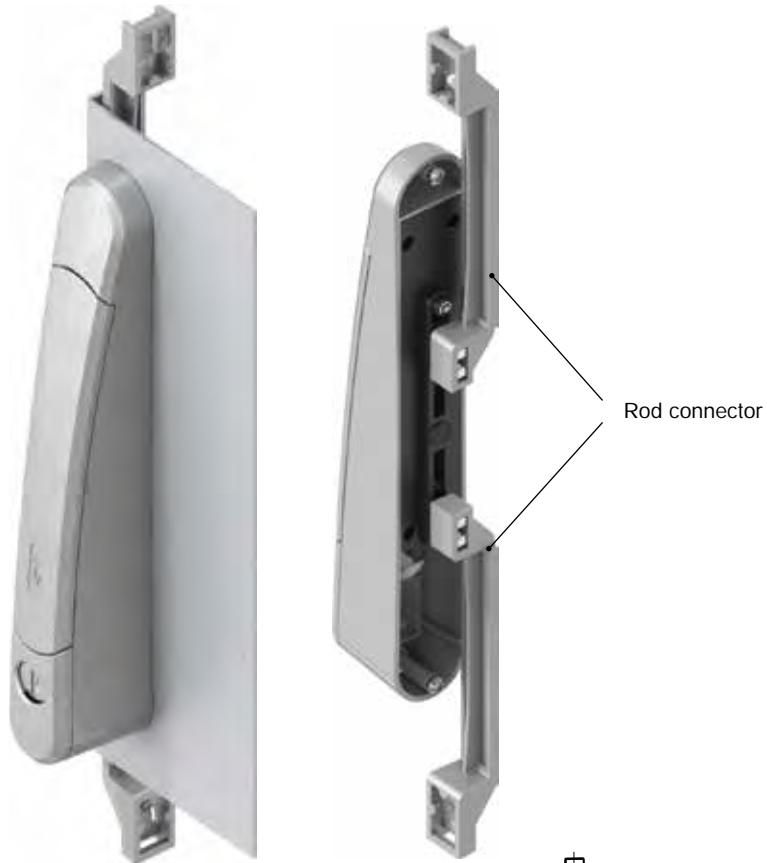
**Further parts see page**  
– Locking set

3XA-120  
3XA-140  
3ZA-610

– Rod

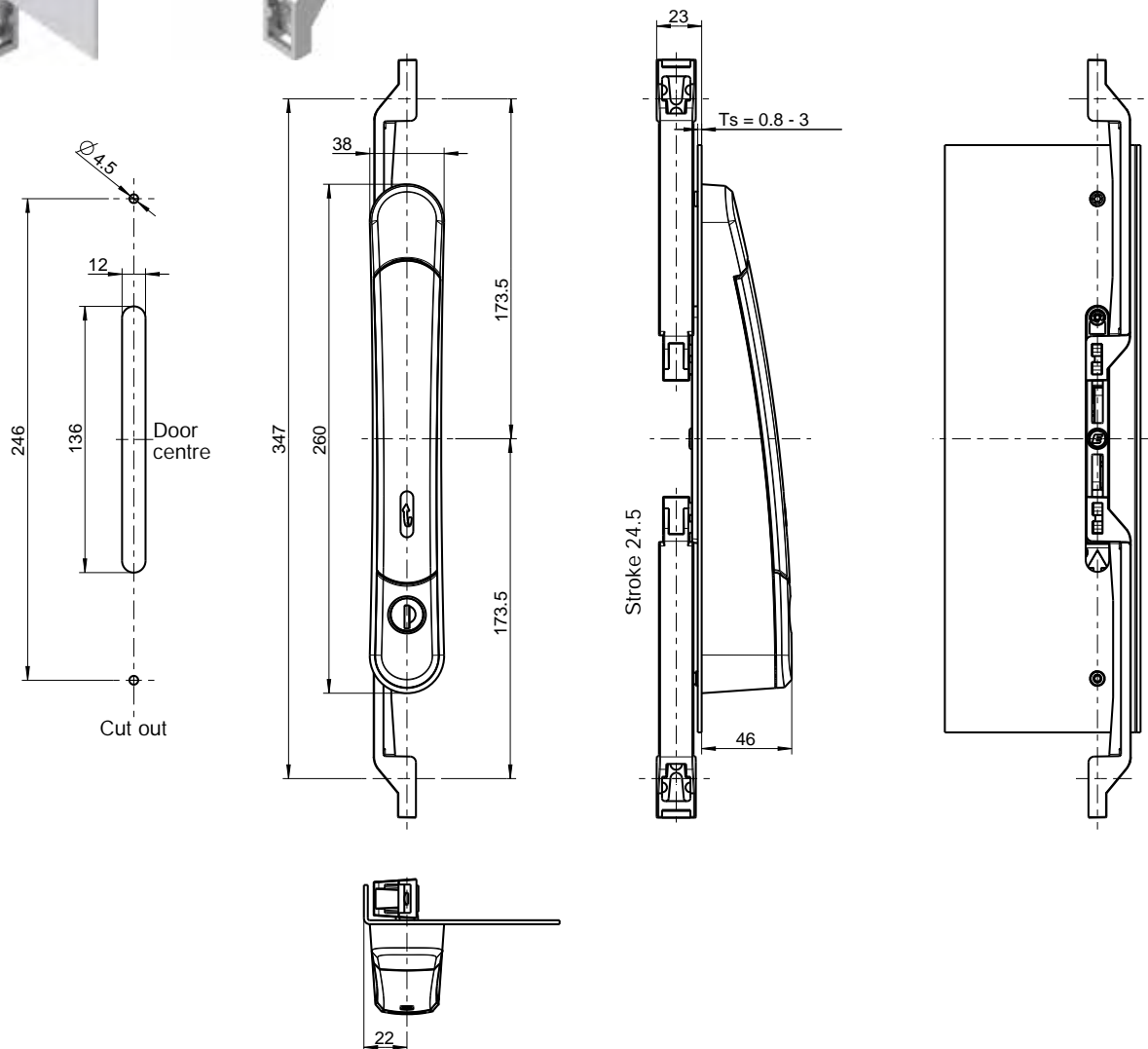
# Lifthandle for smaller bending area

## PROGRAM 1390



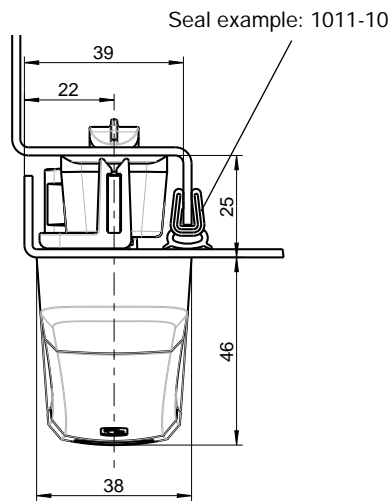
### Product benefits

- Bi-directional lifthandle
- All common rods can be used with the rod connector
- Small cut out due to outside mechanism
- Innovative, new and low-priced technology
- Attractive design
- Patented

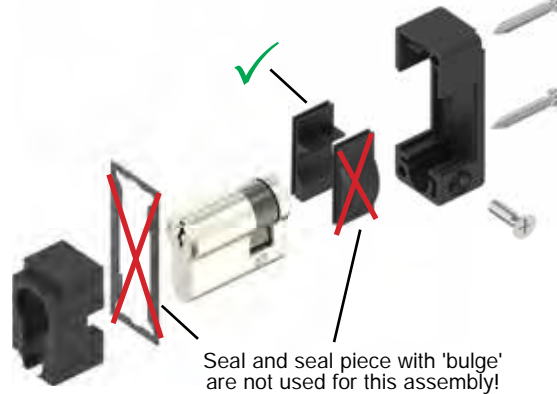




Latch example



Note for locking set with profile half cylinder



Seal and seal piece with 'bulge' are not used for this assembly!



**Lifthandle polyamide GF black; rack zinc die raw; fixing material m.s. zinc-plated; with spring**

Ⓐ for locking sets with profile half cylinder, round cylinder and insert  
 Ⓑ for locking sets with push button, KABA cylinder and ASSA cylinder

Ⓐ Cover with round hole	1390-U1
Ⓐ Cover with round hole and for padlock	1390-U2
Ⓑ Cover with oval hole	1390-U3
Ⓑ Cover with oval hole and for padlock	1390-U4

**Rod connector polyamide GF black**

Necessary for rods from catalogue page 3ZA-120 to 3ZA-340	on request
---	------------

**Lifthandle polyamide GF silver grey metallic; rack zinc die raw; fixing material m.s. zinc-plated; with spring**

Ⓐ for locking sets with profile half cylinder, round cylinder and insert  
 Ⓑ for locking sets with push button, KABA cylinder and ASSA cylinder

Ⓐ Cover with round hole	1390-U1-CX
Ⓐ Cover with round hole and for padlock	on request
Ⓑ Cover with oval hole	on request
Ⓑ Cover with oval hole and for padlock	on request

**Rod connector polyamide GF silver metallic**

Necessary for rods from catalogue page 3ZA-120 to 3ZA-340	1121-168-CX
---	-------------

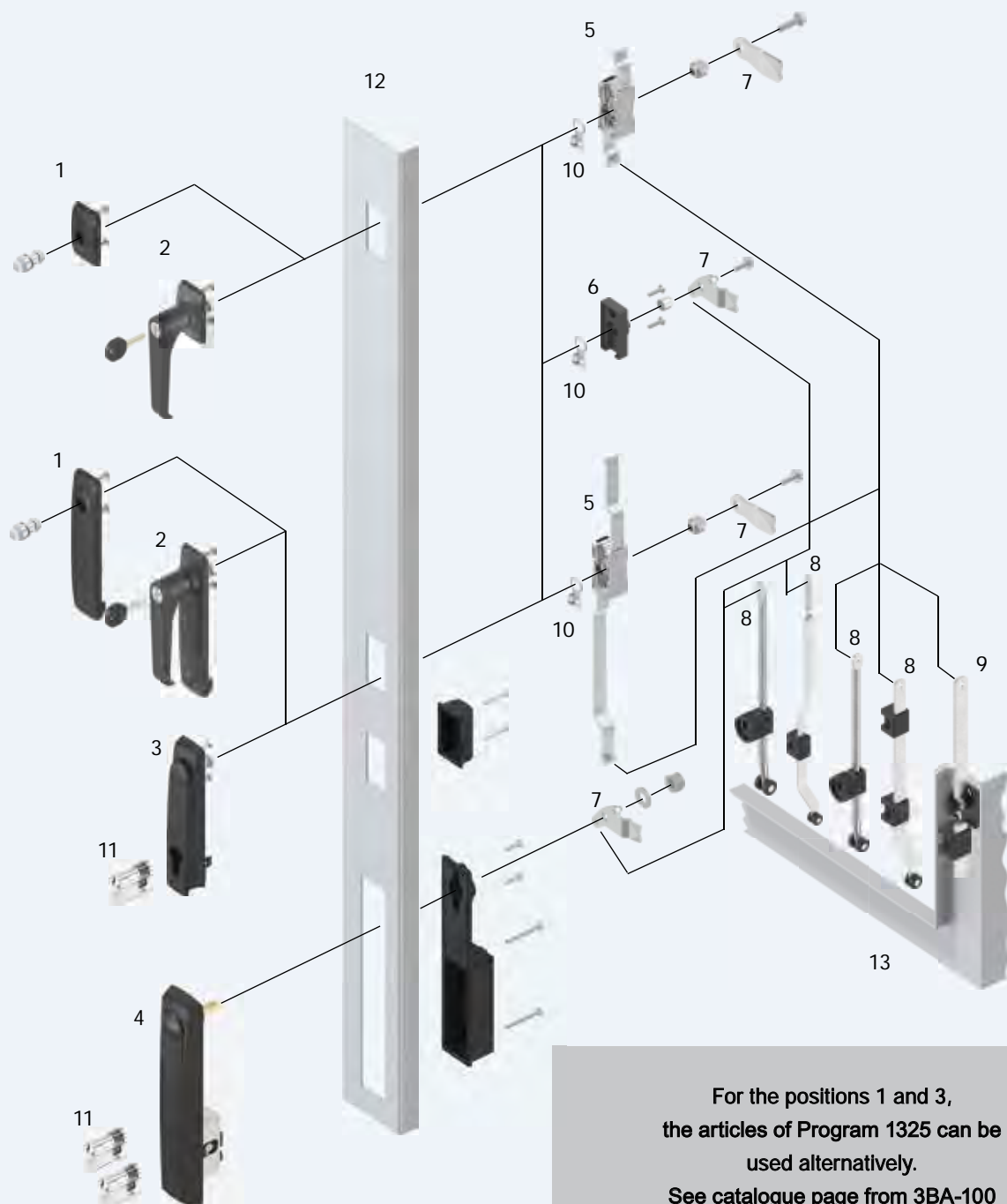
**Rod movement is bi-directional**

**Note:**  
 Please order 2 rod connectors per lifthandle

**Further parts see page**  
 – Locking set 3XA-120  
 3XA-140  
 – Rod from 3ZA-120 to 3ZA-340

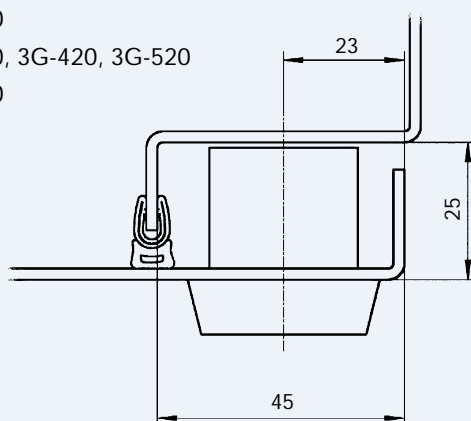


# Swinghandle and Escutcheon Program 1225



- 1 Escutcheon 1221 with insert
- 2 Escutcheon 1223 with handle
- 3 Swinghandle
- 4 Swinghandle (double cylinder)
- 5 Rod control
- 6 Bearing bush
- 7 Cam
- 8 Rod (inside the sealing)
- 9 Rod (outside the sealing)
- 10 Grounding device
- 11 Profile half cylinder
- 12 Door
- 13 Housing / Frame

- 3G-120
- 3G-180
- 3G-220, 3G-420, 3G-520
- 3G-320



## 3G-100

Info

1 Quarter turns

2 Rod controls

3 Locking systems

4 Hinges

5 Seals

6 Handles

7 Aluminium windows

8 Miscellaneous

9 Special catalogues

Index



\* version polyamide on request

Further parts see page

– Key 8B-120  
– Rod control for long version 3YA-110

3YA-120

3YA-140

3YA-190

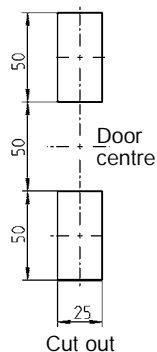
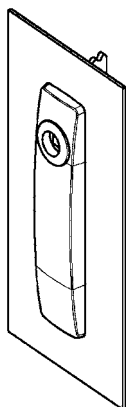
(only with hook) short version 3YA-115

3YA-160

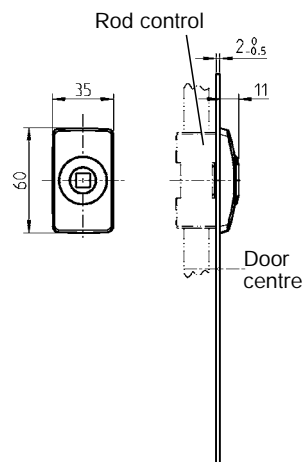
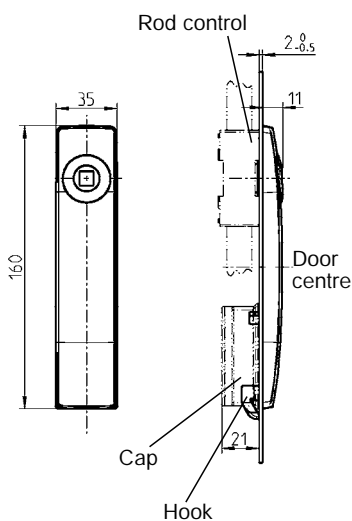
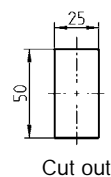
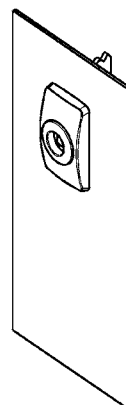
3YB-120

– Bearing bush

Escutcheon, long



Escutcheon, short



Escutcheon long polyamide GF black, screw m.s. zinc-plated, with seal

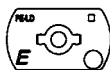
Escutcheon short polyamide GF black, screws m.s. zinc pl., with seal IP 65

	Hook IP 40	Screw-on cap IP 65	
for square, triangular Daimler Benz, slot	1221-U19	1221-U133	1221-U22
for double bit	1221-U20	1221-U134	1221-U23
for railway square 9	1221-U19A	1221-U135	1221-U22A

Insert zinc die chrome-plated; fixing material m.s. zinc-plated

Square 6	1121-U11	Double bit 3*	1121-U16
Square 7	1121-U12	Double bit 5*	1121-U17
Square 8	1121-U13	Square female 8	1121-U167
Triangular 6.5 CNOMO	1121-U169	Slot 2 x 4	1121-U123
Triangular 7	1121-U14	Railway square 9	1121-U72
Triangular 8	1121-U15	Daimler Benz	1121-U18

Accessories

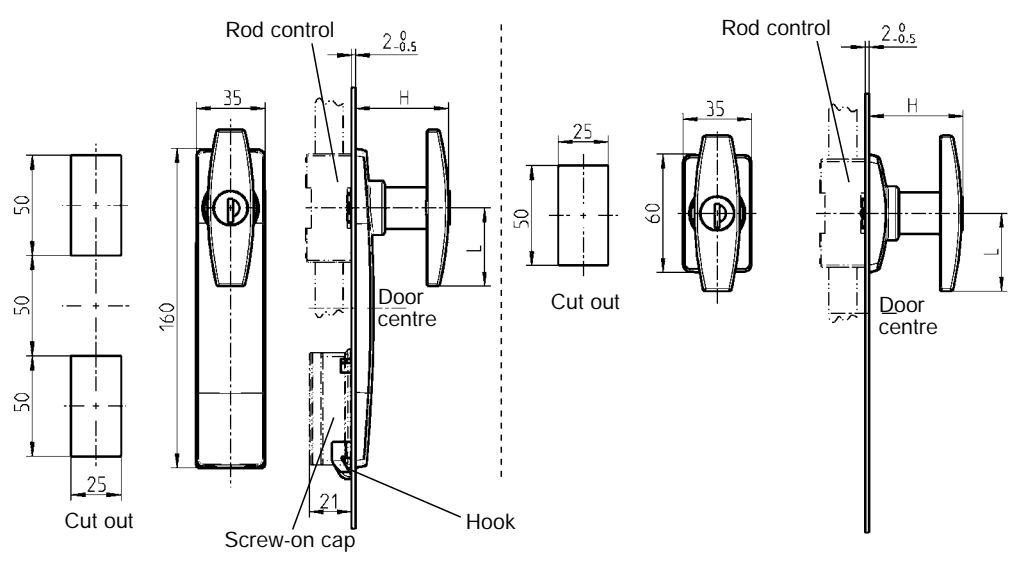
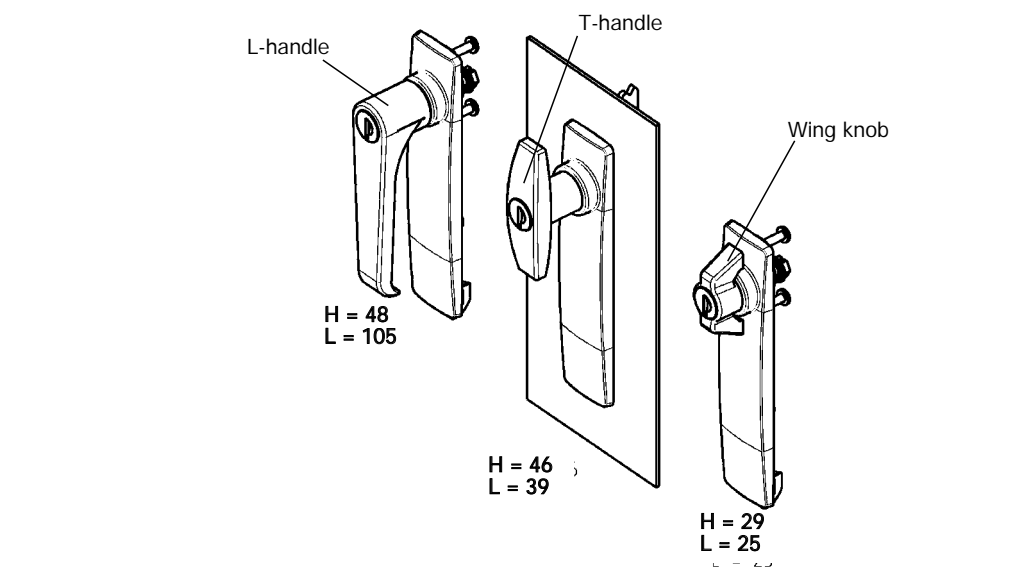


Transport safety device polyamide GF black for insert double bit

1121-32

# Escutcheon 1223 with handle

## PROGRAM 1225



Each round cylinder has one silver steel key with grip polyamide GF black

Escutcheon polyamide GF black, round cylinder with stainless steel cap and shutter, fixing material m.s. zinc-plated, with seal

	Escutcheon long		Escutcheon
	Hook IP 40	Screw-on cap IP 65	short IP 65
<b>Wing knob zinc die black powder-coated</b>			
non locking	1223-U1	1223-U25	1223-U4
keyed EK 333	1223-U2	1223-U26	1223-U5
keyed different	1223-U3	1223-U27	1223-U6
<b>T-Handle zinc die black powder-coated</b>			
non locking	1223-U7	1223-U28	1223-U10
keyed EK 333	1223-U8	1223-U29	1223-U11
keyed different	1223-U9	1223-U30	1223-U12
prepared for KABA 1036	1223-U21	-	1223-U22
<b>L-handle zinc die black powder-coated</b>			
non locking	1223-U13	1223-U31	1223-U16
keyed EK 333	1223-U14	1223-U32	1223-U17
keyed different	1223-U15	1223-U33	1223-U18
prepared for KABA 1036	1223-U19	-	1223-U20



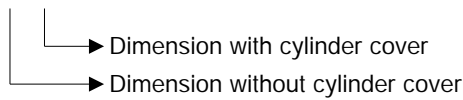
- Further parts see page**
- Key 8B-120
  - Spare key 8B-140
  - Rod control for long version 3YA-110, 3YA-120, 3YA-140
  - (only with hook) short version 3YA-190, 3YA-115, 3YA-160
  - Bearing bush 3YB-120
  - Dust cap for T-handle 1C-340

## Swinghandle

## PROGRAM 1225

## Example:

\*(22/24 mm)


**Swinghandle for profile half cylinder polyamide GF black, shaft zinc die zinc-plated, fixing material m.s. zinc-plated, with seal**

	Screw-on cap IP 65		Hook IP 40	
	with Cylinder cover	without Cylinder cover	with Cylinder cover	without Cylinder cover
for half cylinder 40 mm *(22/24 mm)	1225-U191	1225-U190	1225-U186	1225-U185
for half cylinder 40 mm *(22/24 mm), sealable	1225-U191-01	-	1225-U186-01	-
for half cylinder 45 mm *(28/30 mm)	1225-U196	1225-U195	1225-U194	1225-U193
with cylinder (Berlin version)	-	-	1225-U276	1225-U275

**Swinghandle for profile half cylinder polyamide GF black, handle zinc die black powder-coated, shaft zinc die zinc-plated, fixing material m.s. zinc-plated, with seal**

for half cylinder 40 mm *(22/24 mm)	-	1225-U190-01	-	1225-U185-01
-------------------------------------	---	--------------	---	--------------

**Swinghandle polyamide GF black with EMC shielding for profile half cylinder, shaft zinc die zinc-plated, cap matt chrome-plated. fixing material m.s. zinc-plated, with seal**

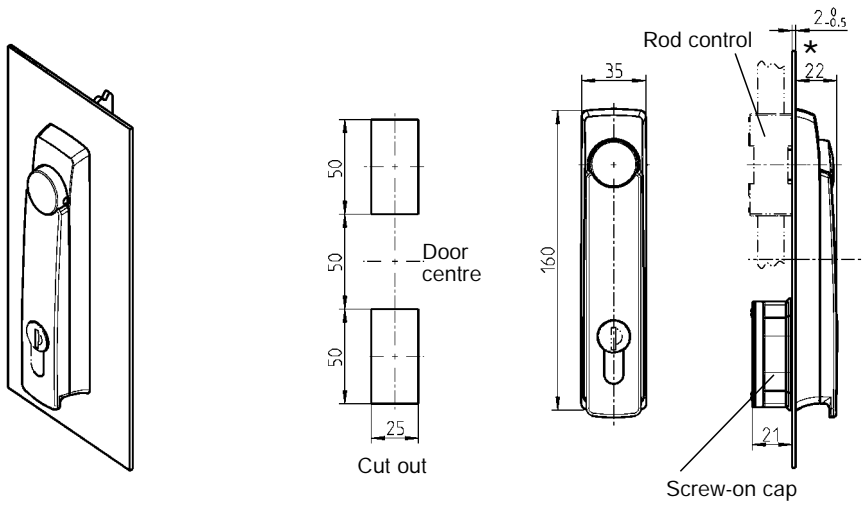
for half cylinder 40 mm *(22/24 mm)	1225-U191-E	-	-	-
-------------------------------------	-------------	---	---	---

**Swinghandle polyamide GF black, with round cylinder incl. stainless steel cap and dust cap or insert m.s. zinc-plated, shaft zinc die chrome-plated, fixing material m.s. zinc-plated, with seal. Each round cylinder has one silver steel key with grip polyamide GF black**

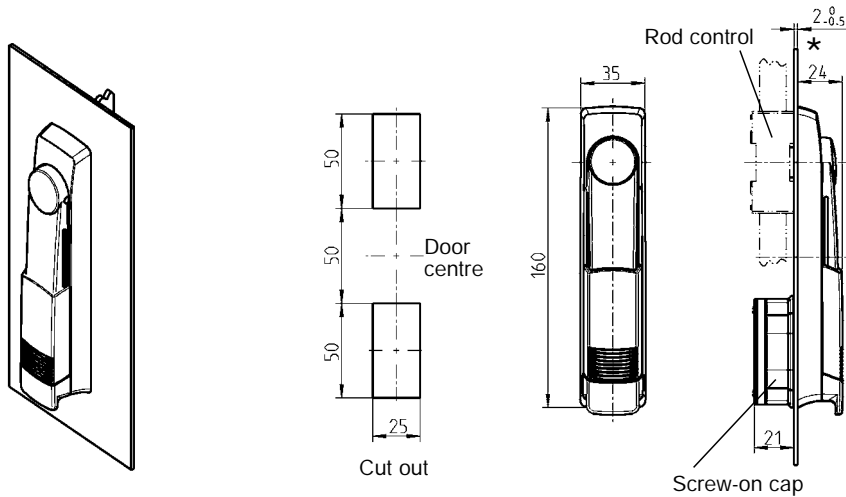
	Screw-on cap		Hook	
	with Cylinder cover	without Cylinder cover	with Cylinder cover	without Cylinder cover
Round cylinder keyed EK 333	1225-U206	1225-U202	on request	1225-U268
Round cylinder keyed different	1225-U207	1225-U203	on request	1225-U269
Square 6 <sup>1)</sup>	1225-U242	1225-U210	on request	on request
Square 7 <sup>1) 2)</sup>	1225-U243	1225-U211	on request	on request
Square 8 <sup>1) 2)</sup>	1225-U244	1225-U212	on request	on request
Square 8 slotted	1225-U245	1225-U213	on request	on request
Triangular 6.5 CNOMO	1225-U246	1225-U214	1225-U201	1225-U200
Triangular 7 <sup>1)</sup>	1225-U247	1225-U215	on request	on request
Triangular 8 <sup>1) 2)</sup>	1225-U248	1225-U216	on request	on request
Double bit 3	1225-U249	1225-U236	on request	on request
Double bit 5	1225-U250	1225-U239	on request	on request
Hexagon female SW 10	1225-U251	1225-U219	on request	on request
Square female 6	1225-U252	1225-U220	on request	on request
Square female 8	1225-U253	1225-U221	on request	on request
Daimler Benz	1225-U254	1225-U222	on request	on request
Slot 1.2 x 3	on request	on request	on request	on request
Slot 2x4 <sup>1) 2)</sup>	1225-U256	1225-U224	on request	on request
Crown type	1225-U257	1225-U225	on request	on request
Eastern Europe Ø 13 half-round	1225-U282	1225-U283	on request	on request
Prepared for padlock and profile cylinder	-	1225-U184	-	on request



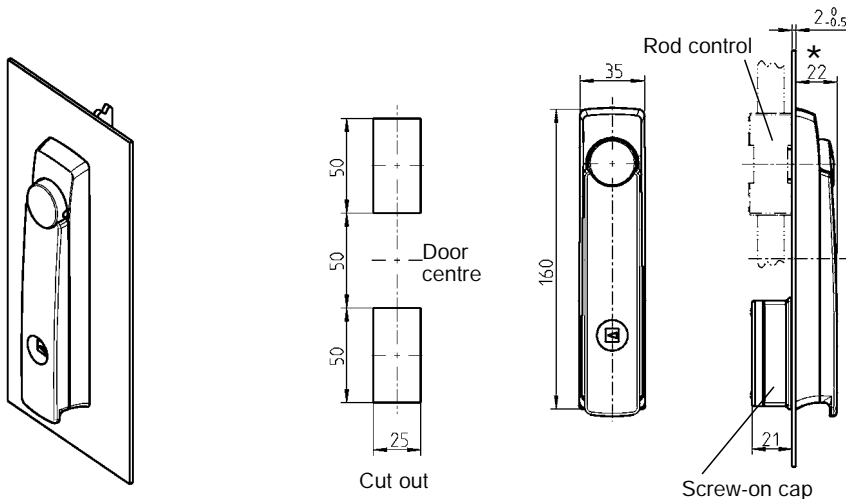
### Swinghandle for profile half cylinder



### Swinghandle with cover



### Swinghandle with round cylinder or insert



#### Further parts see page

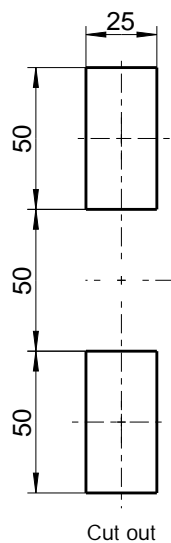
- Key 8B-120
- Rod control 3YA-110
- 3YA-120
- 3YA-140
- (only with hook) 3YA-190
- Bearing bush 3YB-120
- Profile half cylinder 3XB-120

#### On request:

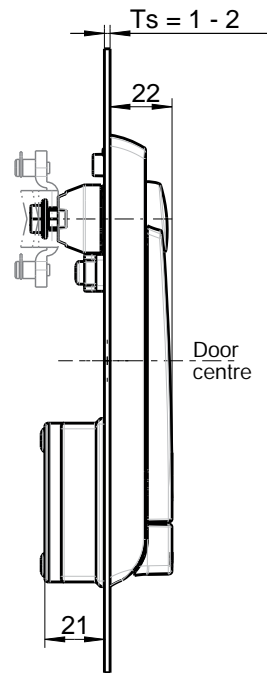
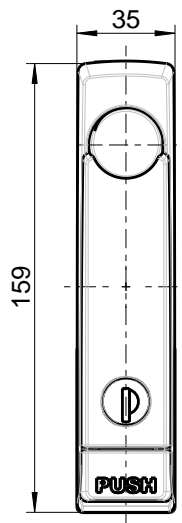
- Insert made of
  - 1) Zinc die black powder-coated
  - 2) Polyamide black
- Cap without foamed seal for small bending area
- further EMC version
- Swinghandle, sealable
- Handle made of zinc die

## Swinghandle with push button

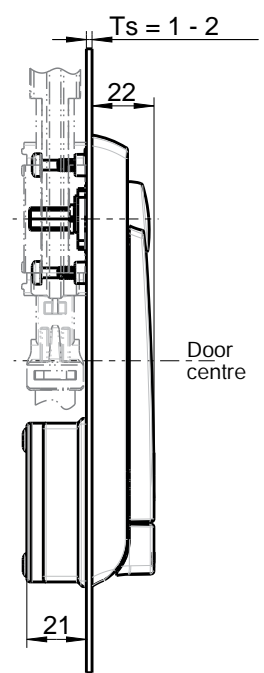
## PROGRAM 1225



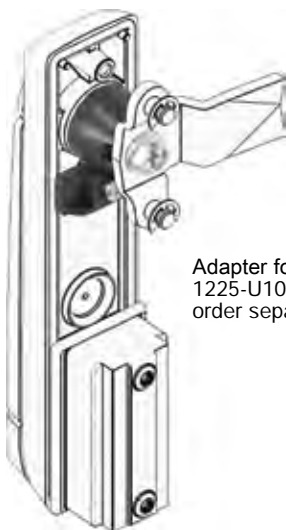
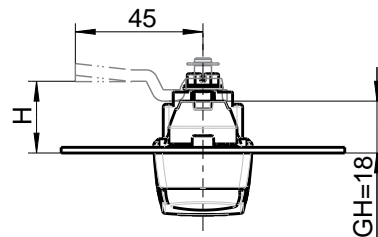
Cut out



Swinghandle with adapter for cam



Swinghandle with rod control

Adapter for cam  
1225-U101  
order separately

Swinghandle with push button zinc die black powder-coated;  
shaft zinc die zinc-plated; fixing material m.s. zinc-plated; with spring and seal

Push to lock

Round cylinder keyed EK 333  
Round cylinder zinc die with stainless steel cap and dust cap.  
Each round cylinder has one silver steel key with polyamide grip GF black.

1225-U302

on request

Round cylinder keyed different  
Round cylinder zinc die with stainless steel cap and dust cap.  
Each round cylinder has one silver steel key with polyamide grip GF black.

1225-U303

on request

Double bit 3; Zinc die chrome-plated

on request

on request

Double bit 5; Zinc die chrome-plated

1225-U339

on request

Blind (no locking system)

1225-U326

-

Prepared for padlock

on request

-

Adapter for cam PBT GF V0 black; bridge bar polyamide GF V0 black;  
fixing material m.s. zinc-plated

1225-U101



1 Quarter turns

2 Rod controls

3 Locking systems

4 Hinges

5 Seals

6 Handles

7 Aluminium windows

8 Miscellaneous

9 Special catalogues



**Further parts see page**

- Rod control 3YA-110
- 3YA-120
- 3YA-140
- Cam for rod control (3-point latch system) 3YA-840
- Key 8B-120

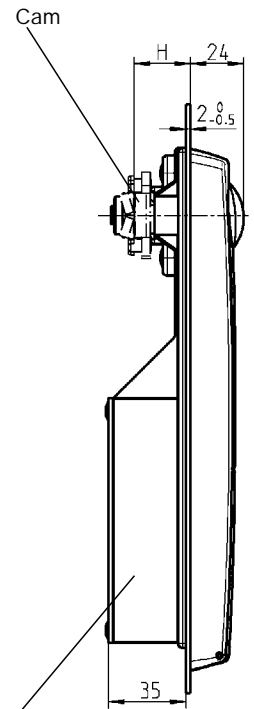
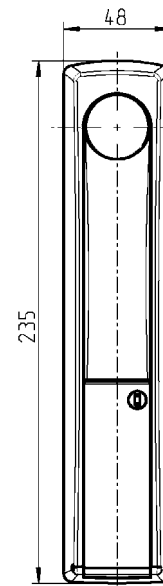
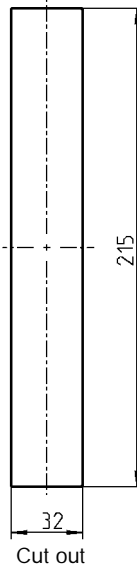
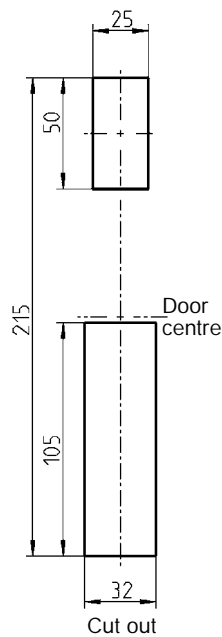
**On request:**

- Insert made of
- 1) Zinc die black powder-coated
- 2) Polyamide black
- Cap without foamed seal for small bending area



KABA cylinder  
Type 1514

Profile half cylinder  
40 and 45



Screw-on cap

Further parts see page

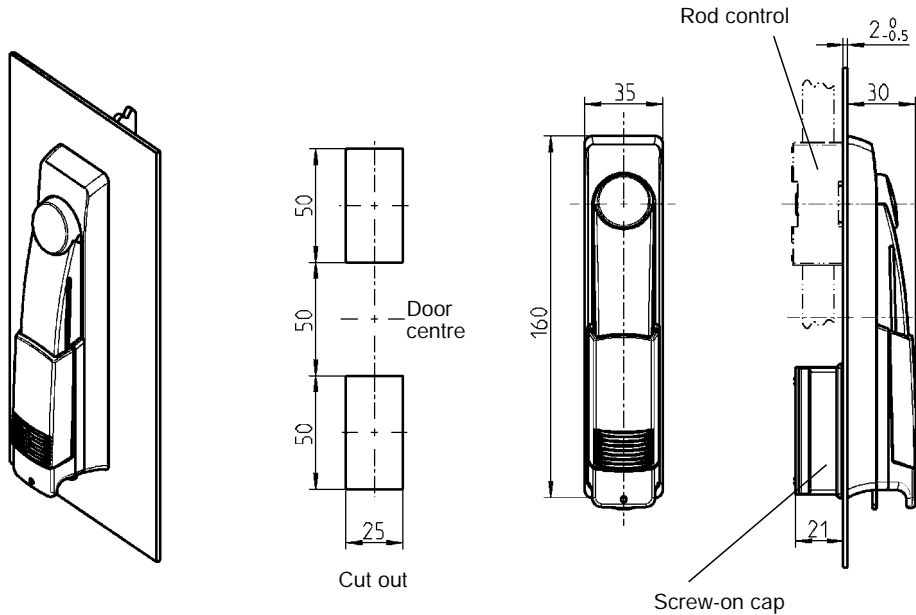
- Cam 3YC-140
- Profile half cylinder 3XB-220 (only use 1089-U1 or 1089-U2)

Swinghandle and dish zinc die black powder-coated, shaft brass, fixing material m.s. zinc-plated., with seal

Double cylinder swinghandle for profile half cylinder	1225-U60
Blind plug for using only one profile half cylinder	1109-09-AA
Double cylinder swinghandle for type KABA 1514	1225-U62

# Swinghandle KABA and ASSA

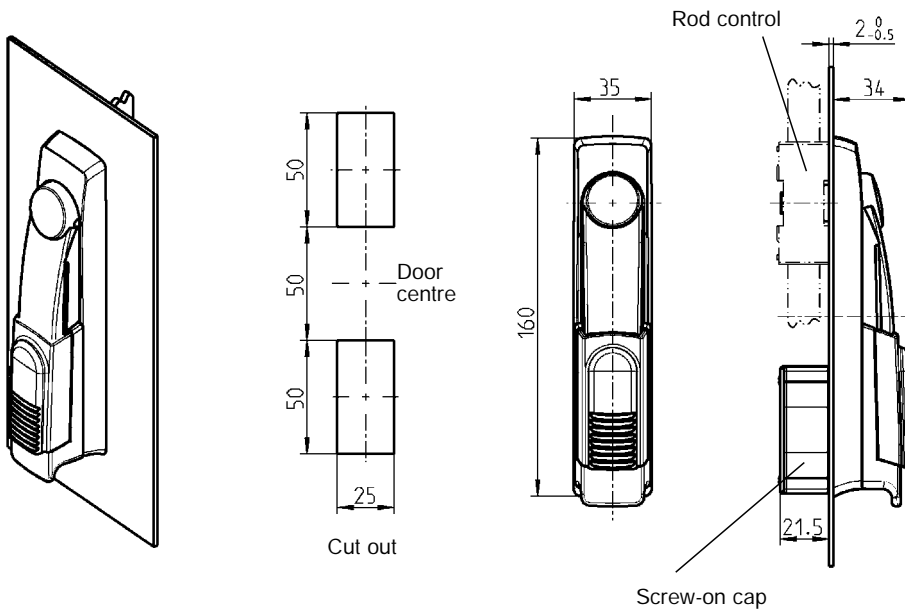
## PROGRAM 1225



Attention: KABA cylinder provided by customer!

Swinghandle for KABA cylinder polyamide GF black, sealable, fixing material m.s. zinc-plated, with seal

1225-U291



Note: ASSA cylinder provided by customer!

Swinghandle for ASSA cylinder polyamide GF black, shaft zinc die zinc-plated, fixing material m.s. zinc-plated, with seal

1225-U198



Further parts see page

- Rod control 3YA-110
- 3YA-120
- 3YA-140
- Bearing bush 3YB-120

Info

1 Quarter turns



2 Rod controls



3 Locking systems

4 Hinges

5 Seals

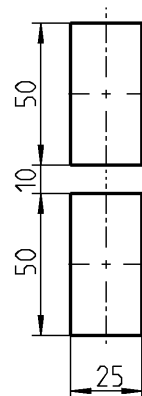
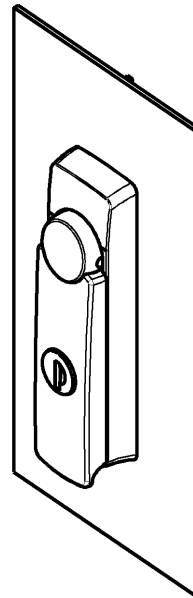
6 Handles

7 Aluminium windows

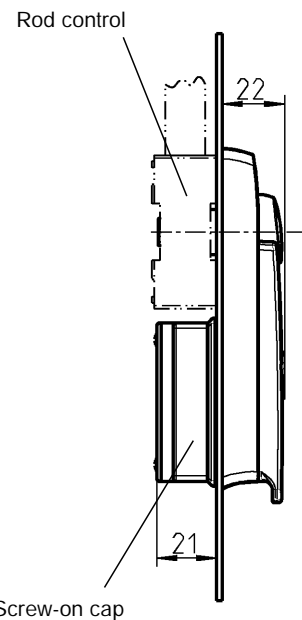
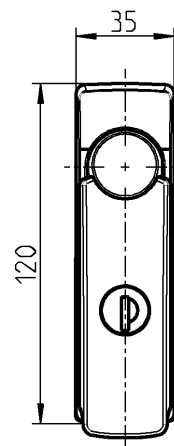
8 Miscellaneous

9 Special catalogues

Index



Cut out



#### Further parts see page

- Rod control (1121-U60-C or 1121-U61-C) 3YA-160
- Bearing bush (H-dimension cam > 23) 3YB-120
- Spare key 8B-140

Swinghandle and escutcheon polyamide black, with round cylinder with stainless steel cap and shutter, shaft zinc die zinc-plated, fixing material m.s. zinc-plated, with seal

keyed EK 333

1240-U1

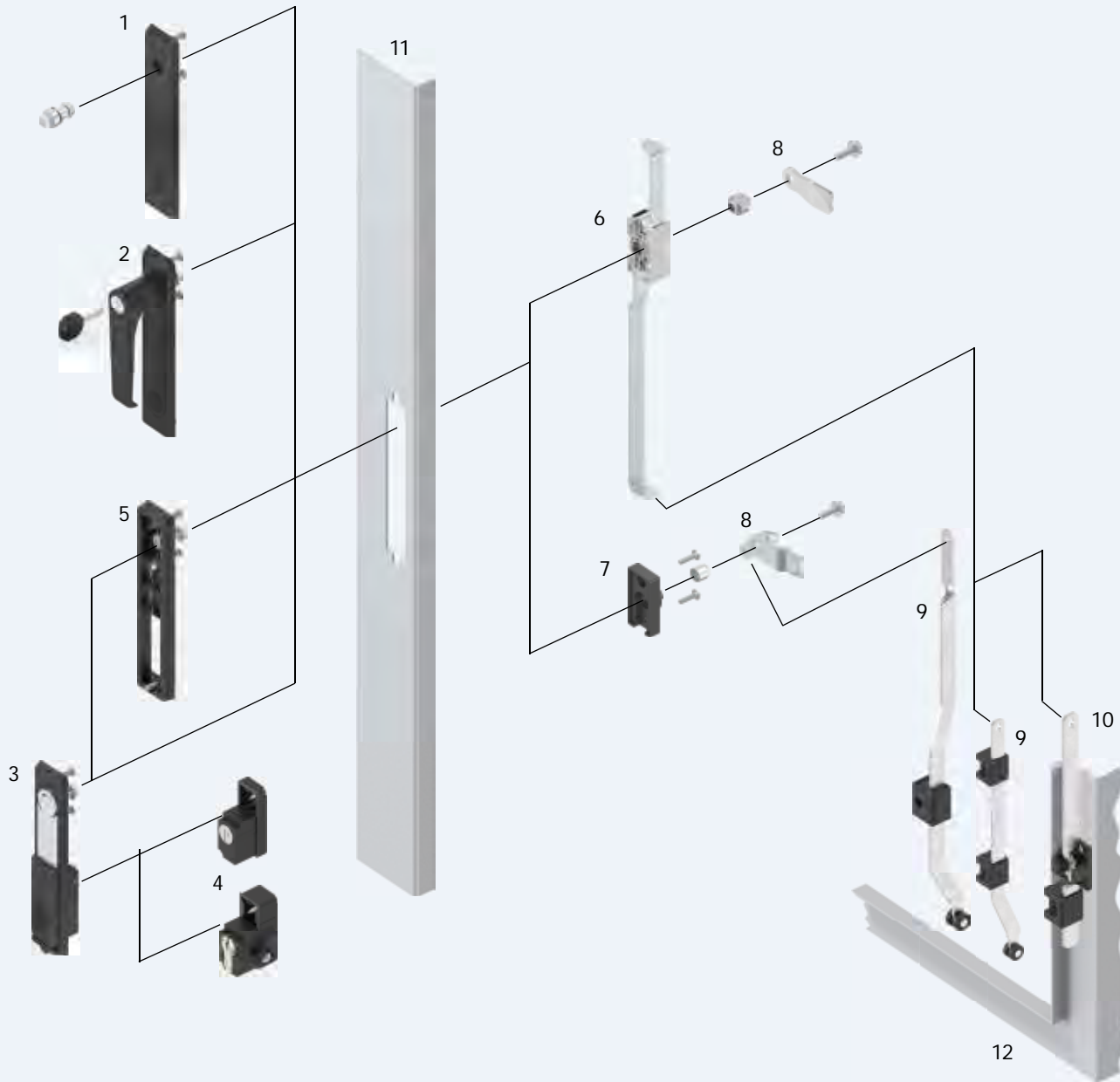
keyed different

1240-U2

### 3G-520

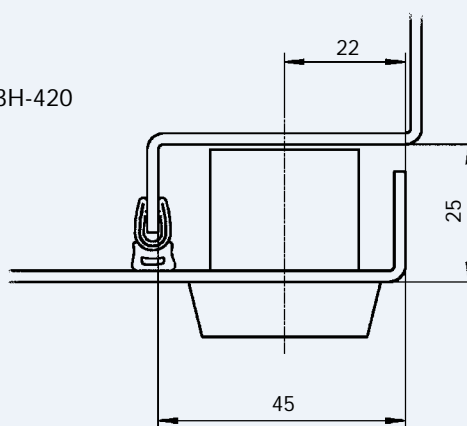
(3T-270)

# Swinghandle and Escutcheon Program 2100



- 1 Escutcheon 2150 with insert
- 2 Escutcheon 2153 with handle
- 3 Swinghandle
- 4 Locking set
- 5 Adapter plate
- 6 Rod control
- 7 Bearing bush
- 8 Cam
- 9 Rod (inside the sealing)
- 10 Rod (outside the sealing)
- 11 Door
- 12 Housing / Frame

3H-120  
 3H-220  
 3H-320, 3H-420



## 3H-100

Info

1 Quarter turns



2 Rod controls



3 Locking systems



4 Hinges

5 Seals

6 Handles



7 Aluminium windows

8 Miscellaneous

\* Logo recess: 27 x 8 x 0.5  
Multicolour pad print possible

\*\* made of polyamide  
on request

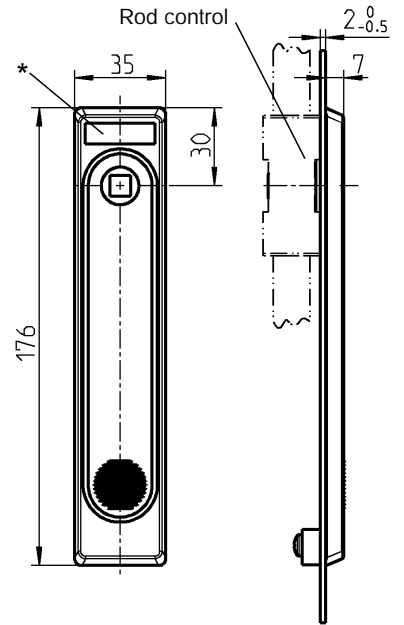
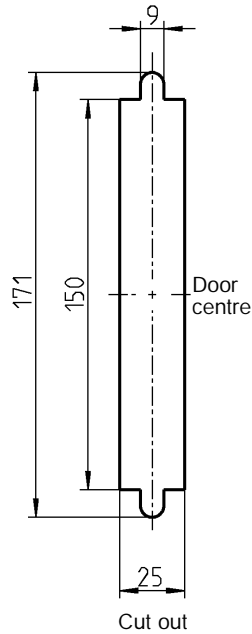
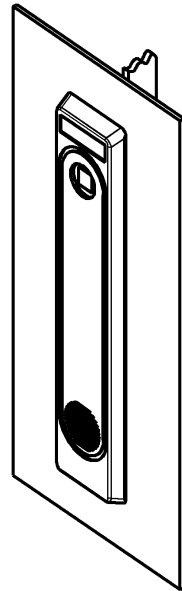
9 Special catalogues

#### Further parts see page

- Key 8B-120
- Rod control 3YA-520
- 3YA-540
- Bearing bush 3YB-140

Index

**3H-120** 11/15  
(3D-140)



#### Escutcheon polyamide black, fixing screws m.s. zinc-plated, with seal

for square, triangular, Daimler Benz, slot	2150-U1
--	---------

for double bit with mask	2150-U2
--------------------------	---------

for FIAT	2150-U3
----------	---------

#### Insert zinc die chrome-plated, fixing material m.s. zinc-plated

Square 6	1121-U11	Double bit 3**	1121-U16
Square 7	1121-U12	Double bit 5**	1121-U17
Square 8	1121-U13	Square female 8	1121-U167
Triangular 6.5 CNOMO	1121-U169	Daimler Benz	1121-U18
Triangular 7	1121-U14	FIAT	1121-U24
Triangular 8	1121-U15	Slot 2x4	1121-U123

#### Accessories



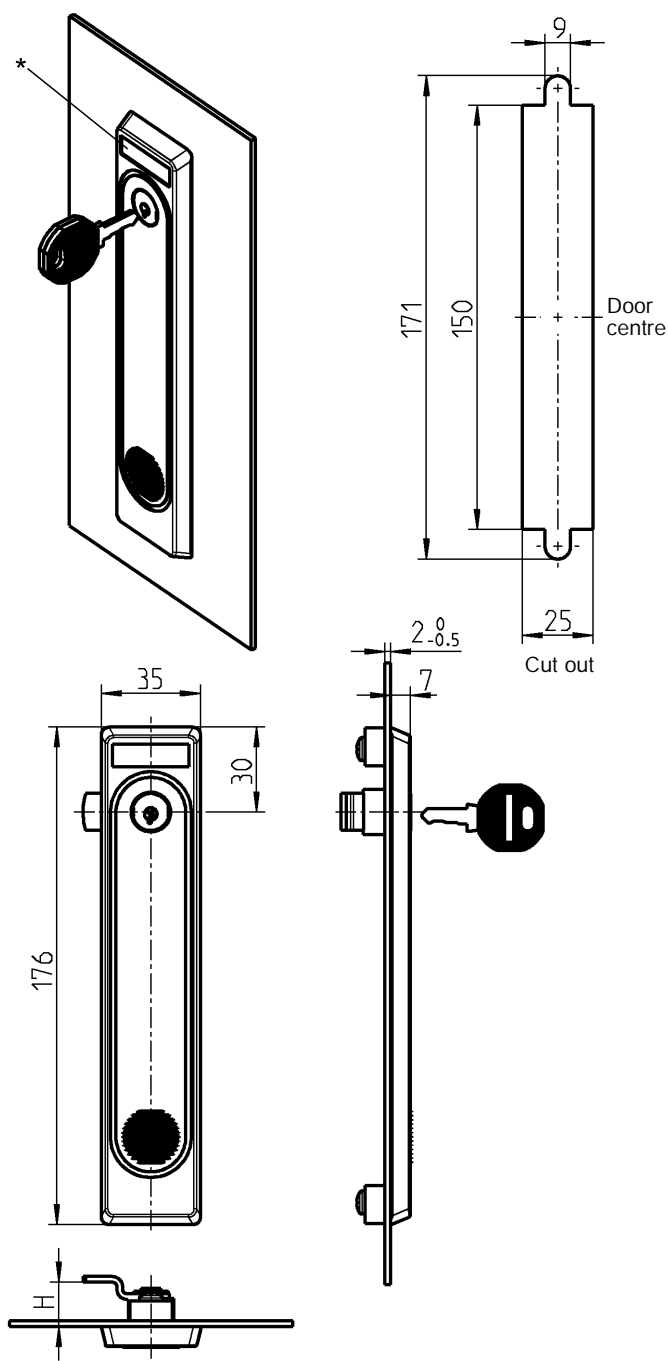
Transport safety device polyamide GF black  
for insert double bit

**1121-32**



# Escutcheon 2150

## PROGRAM 2100



Escutcheon polyamide GF black, round cylinder zinc die with stainless steel cap, fixing material m.s. zinc-plated, with seal.  
Each round cylinder has one silver steel key with grip polyamide GF black

H-dimension 4	Left-hand version	Right-hand version
keyed different	2150-U4	2150-U4-01
keyed 2233X	2150-U5	2150-U5-01
H-dimension 10	Left-hand version	Right-hand version
keyed different	2150-U6	2150-U6-01
keyed 2233X	2150-U7	2150-U7-01
H-dimension 16	Left-hand version	Right-hand version
keyed different	2150-U8	2150-U8-01
keyed 2233X	2150-U9	2150-U9-01

\* Logo recess: 27 x 8 x 0.5  
Multicolour pad print possible

Turn = 90°

Further parts see page  
– Spare key 8B-140

Info

1 Quarter turns

2 Rod controls

3 Locking systems

4 Hinges

5 Seals

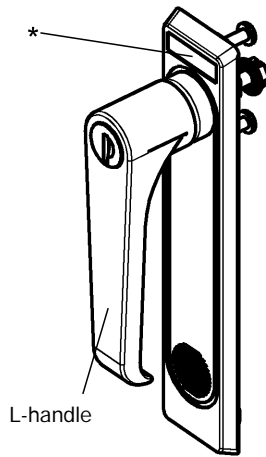
6 Handles

7 Aluminium windows

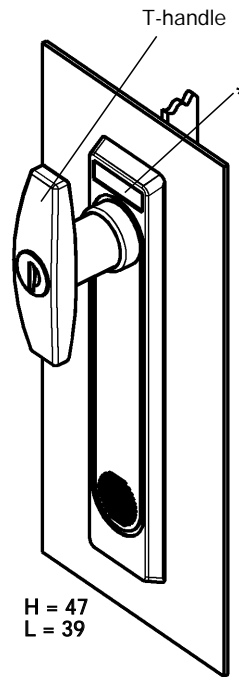
8 Miscellaneous

9 Special catalogues

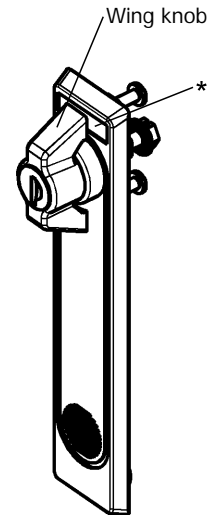
Index



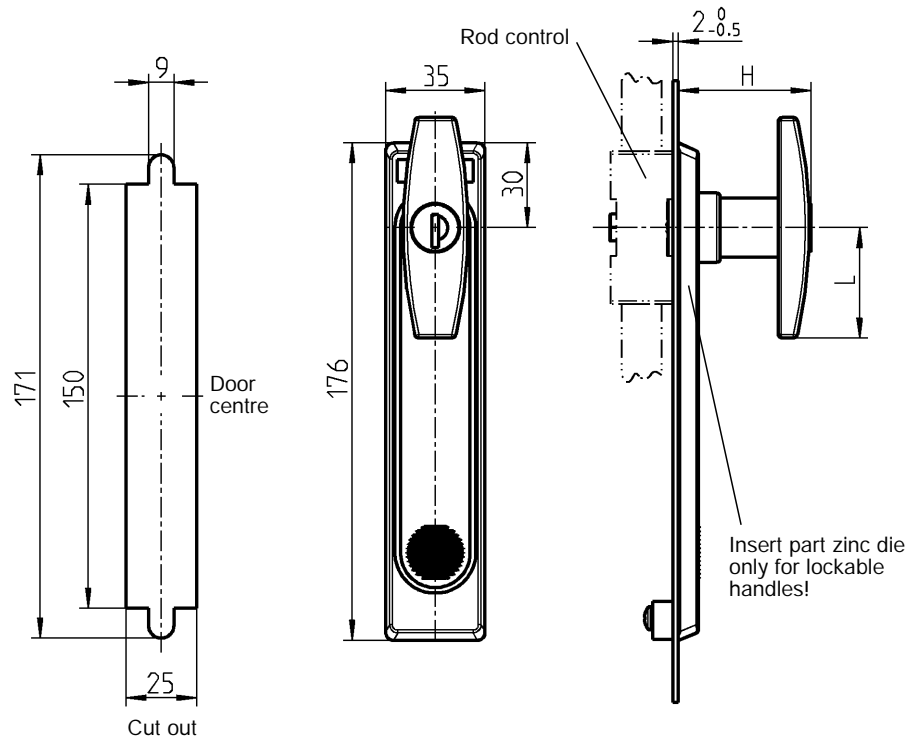
H = 47  
L = 105



H = 47  
L = 39



H = 29  
L = 25



\* Logo recess: 27 x 8 x 0.5  
Multicolour pad print possible

\*\* made of polyamide  
on request

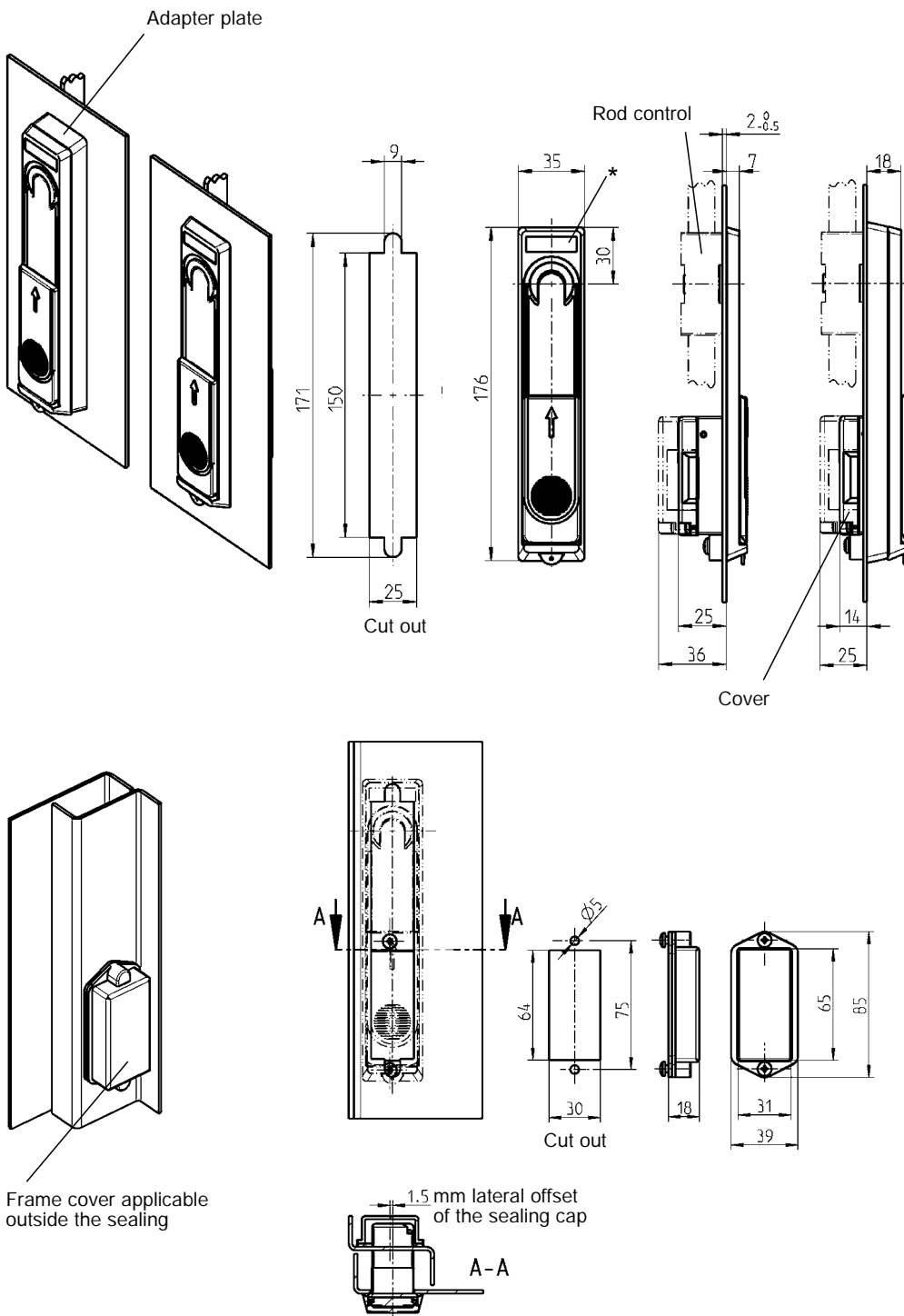
**Further parts see page**

- Spare key 8B-140
- Rod control 3YA-520
- 3YA-540
- 3YB-140
- Bearing bush
- Dust cap for T-handle 1C-340

Escutcheon polyamide GF black; handle zinc die black powder-coated, round cylinder with stainless steel cap and dust cap, fixing material m.s. zinc-plated, with seal. Each round cylinder has one silver steel key with grip polyamide GF black

	non locking	keyed EK 333	keyed different
Wing knob	2153-U9	2153-U10	2153-U11
T-handle	2153-U6	2153-U7	2153-U8
L-handle	2153-U3	2153-U4	2153-U5
Prepared for KABA cylinder type 1036 with standard locking and / or locking systems.			on request

# Swinghandle PROGRAM 2100



**Note:**  
Swinghandle without locking set

\* Logo recess: 27 x 8 x 0.5  
Multicolour pad print possible

**Further parts see page**  
 – Locking set 3XA-120  
 3XA-140  
 – Locking set ELM  
 Special catalogue Electronics  
 – Rod control 3YA-520  
 3YA-540  
 – Bearing bush 3YB-140

**Swinghandle polyamide black, handle zinc die chrome-plated, fixing material m.s. zinc-plated, with seal**

Slide cover polyamide black 2100-U1

Slide cover zinc die black powder-coated 2100-U2

**Adapter plate polyamide black, adapter cast steel, fixing material m.s. zinc-plated**

2100-U59

**Frame cover polyamide black, fixing material m.s. zinc-plated for RH and LH version, with seal**

2100-U31

Info

1 Quarter turns



2 Rod controls



3 Locking systems



4 Hinges

5 Seals

6 Handles



7 Aluminium windows

8 Miscellaneous

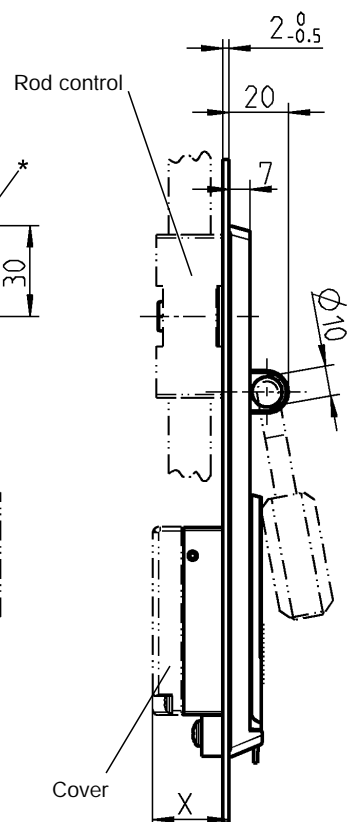
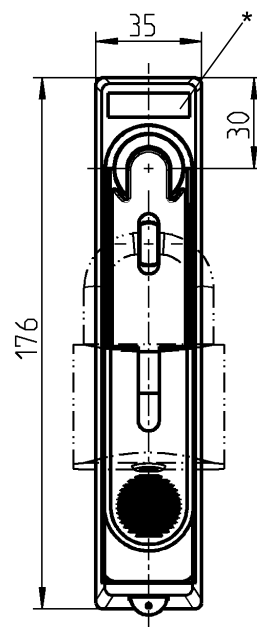
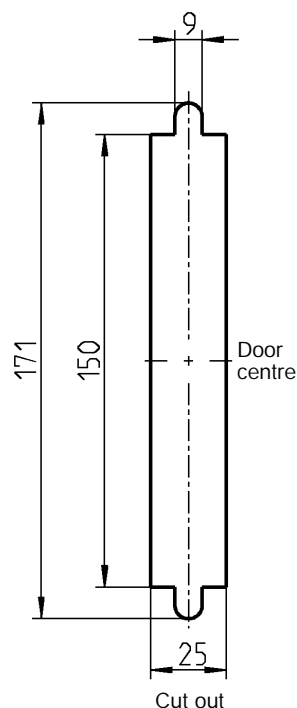
\* Logo recess: 27 x 8 x 0.5  
Multicolour pad print possible

#### Further parts see page

- Locking set 3XA-120  
3XA-140
- Locking set ELM  
Special catalogue Electronics
- Rod control 3YA-520  
3YA-540
- Bearing bush 3YB-140

Index

**3H-420** 01/13  
(3D-260)



Swinghandle polyamide GF black; handle zinc die matt chrome-plated;  
slide cover zinc die black powder-coated; padlock shackle AISI 303;  
fixing material m.s. zinc-plated, with seal

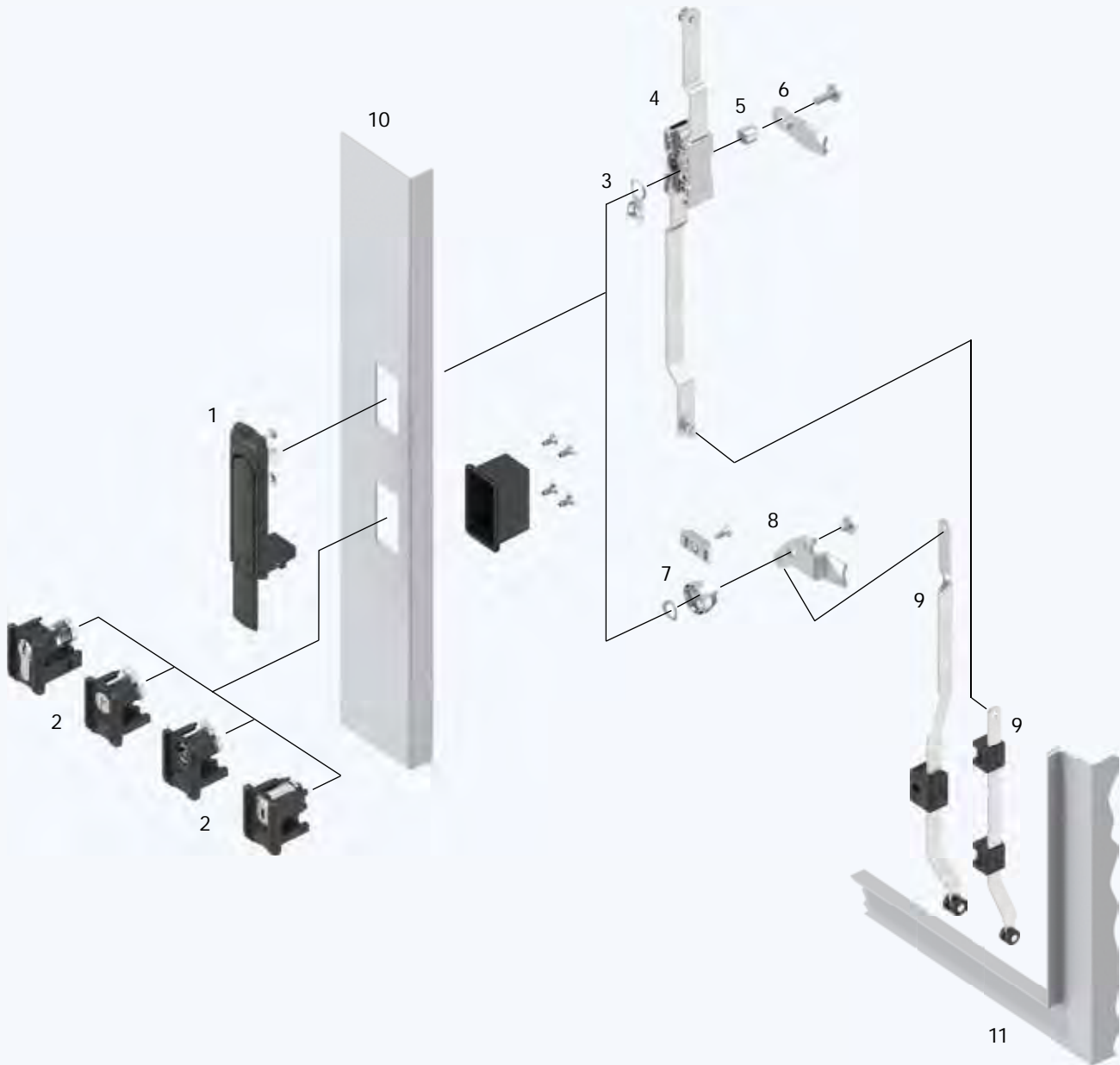
2100-U9

Version Ford achieved with:

Locking set square 7

2100-U33

# Swinghandle Program 2225



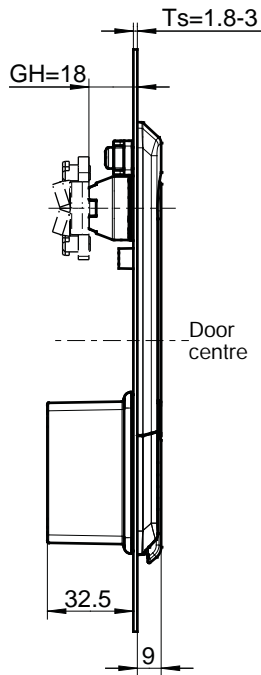
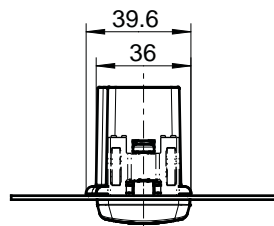
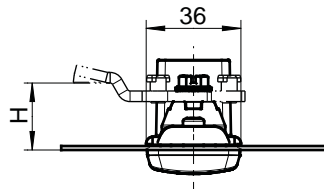
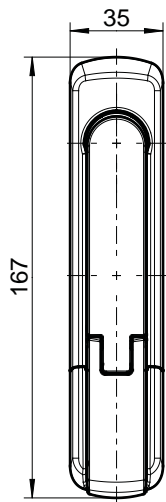
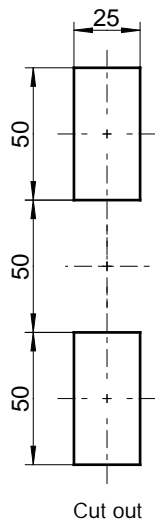
- |    |                          |                 |
|----|--------------------------|-----------------|
| 1  | Flat swinghandle         | 3J-120 - 3J-160 |
| 2  | Locking set              | 3J-120 - 3J-160 |
| 3  | Grounding device         |                 |
| 4  | Rod control              |                 |
| 5  | Adapter                  |                 |
| 6  | Cam                      |                 |
| 7  | Adapter for swinghandle  | 3J-120          |
| 8  | Cam                      |                 |
| 9  | Rod (inside the sealing) |                 |
| 10 | Door                     |                 |
| 11 | Housing / Frame          |                 |



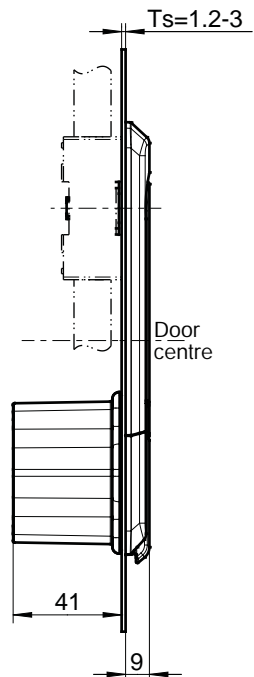
## 3J-100

# Flat swinghandle with locking set

## PROGRAM 2225



Swinghandle with locking set round cylinder or for KABA cylinder or insert and with adapter for cam



Swinghandle with locking set for profile half cylinder and with rod control

Examples of combinations

Adapter for cam 2225-U101, order separately





**Easy exchange of the locking sets**  
By removing the two lower screws, the locking set can be easily removed to the front.

### Product benefits

- Flat design
- Easy exchangeable locking unit inserts (locking sets)
- Suitable for standard cut out
- Pre-assembled swinghandle and dish
- Permanent magnet holds the cylinder cover
- Integrated scratch protection prevents surface damage (handle / dish)
- Swinghandle, locking sets and adapter for cam made of zinc die
- Patent submitted



1 Quarter turns

2 Rod controls

3 Locking systems

4 Hinges

5 Seals

6 Handles

7 Aluminium windows

8 Miscellaneous

9 Special catalogues

Index

**Swinghandle for locking set and for rod control**  
Handle, dish and cylinder cover zinc die black powder coated;  
pin AISI 303; hook zinc die zinc plated; circlip m.s. zinc plated;  
shaft AISI 303; fixing material m.s. zinc plated; with spring and seal

Please order locking set separately

2225-U1

**Locking set for swinghandle**  
Housing and cap zinc die black powder coated;  
permanent magnet; fixing material m.s. zinc plated; with spring and seal

for 40 mm profile half cylinder (A = 30 mm)

2225-U11

Round cylinder keyed EK 333  
Round cylinder zinc die with stainless steel cap and dust cap.  
Each round cylinder has one silver steel key with polyamide grip GF black.

2225-U48

Round cylinder keyed different  
Round cylinder zinc die with stainless steel cap and dust cap.  
Each round cylinder has one silver steel key with polyamide grip GF black.

2225-U49

for KABA cylinder type 1036 (provided by customer)

2225-U54

Double bit 3; Zinc die chrome-plated

2225-U50

Insert railway; Zinc die chrome-plated

2225-U60

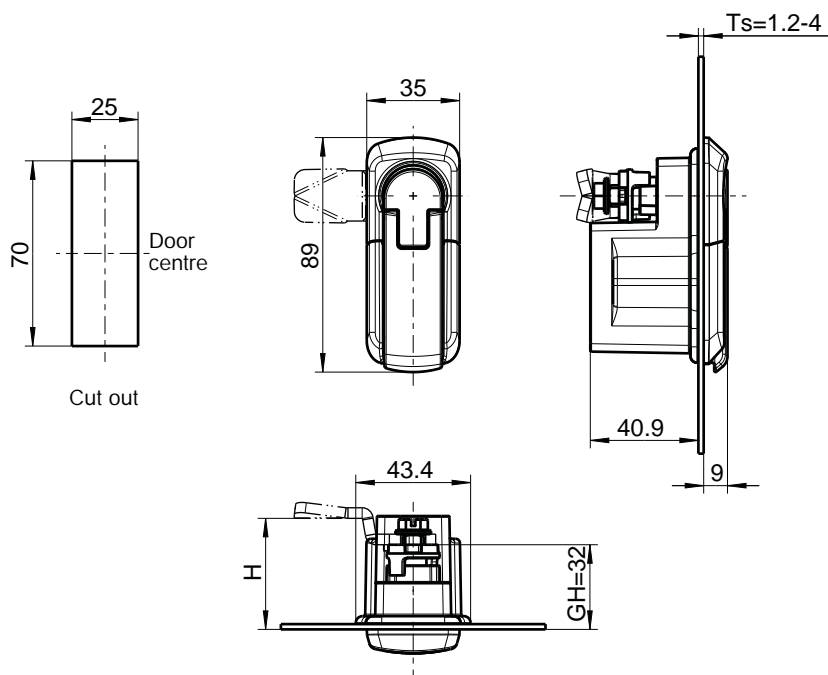
**Adapter for cam**  
90° Stopper zinc die zinc-plated; bridge AISI 316; fixing material m.s. zinc-plated

2225-U101

Multicolour pad printing possible

<b>Further parts see page</b>	
– Profile half cylinder	3XB-320
– Cams (for adapter)	3YC-120
– Rod control	3YA-110 3YA-120 3YA-140
– Cam for rod control (3-point latch system)	3YA-840

## Flat swinghandle short with locking set

**PROGRAM 2225**





**Easy exchange of the locking sets**  
By removing the two lower screws, the locking set can be easily removed to the front.

### Product benefits

- Flat design
- Easy exchangable locking unit inserts (locking sets)
- Suitable for standard cut out
- Pre-assembled swinghandle and dish
- Permanent magnet holds the cylinder cover
- Integrated scratch protection prevents surface damage (handle / dish)
- Swinghandle, locking sets and adapter for cam made of zinc die
- Patent submitted



**Swinghandle for locking set and for cam**  
Handle, dish and cylinder cover zinc die black powder-coated;  
pin AISI 303; hook zinc die zinc-plated; circlip m.s. zinc-plated;  
shaft AISI 303; with spring and seal

Please order locking set separately 2225-U2

**Locking set for swinghandle short**  
Housing and cap zinc die black powder-coated; adapter zinc die zinc-plated;  
permanent magnet; fixing material m.s. zinc-plated; with spring and seal

for 40 mm profile half cylinder (A = 30 mm) 2225-U11-01

Round cylinder keyed EK 333 2225-U48-01  
Round cylinder zinc die with stainless steel cap and dust cap.  
Each round cylinder has one silver steel key with polyamide grip GF black.

Round cylinder keyed different 2225-U49-01  
Round cylinder zinc die with stainless steel cap and dust cap.  
Each round cylinder has one silver steel key with polyamide grip GF black.

for KABA cylinder type 1036 (provided by customer) 2225-U54-01

Double bit 3; Zinc die chrome-plated 2225-U50-01

Insert railway; Zinc die chrome-plated 2225-U60-01

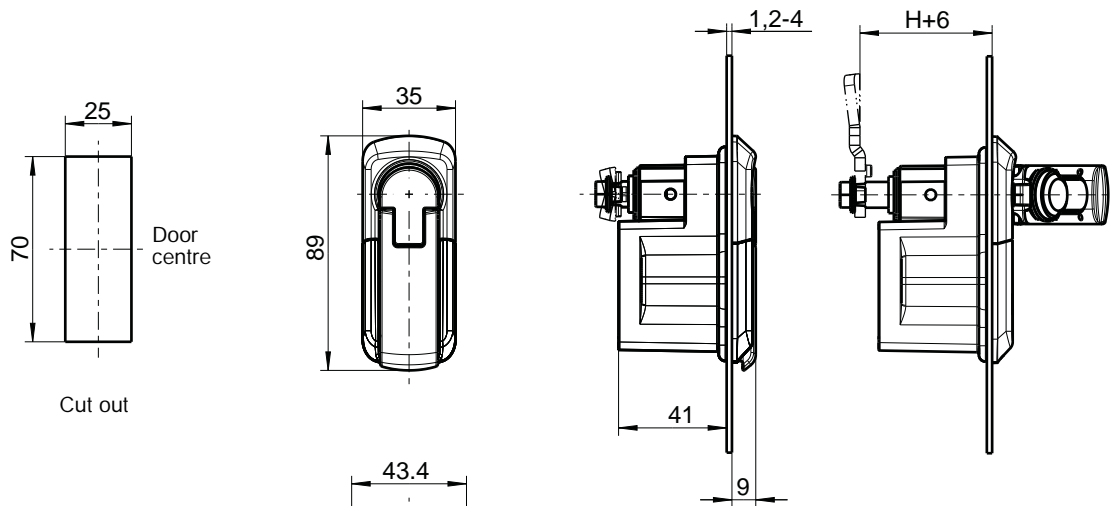
Multicolour pad printing possible

Further door thicknesses on request

**Further parts see page**  
– Profile half cylinder 3XB-320  
– Cams (GH = 32) 1C-120

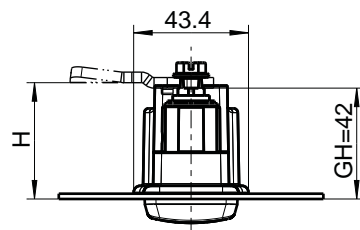
# Flat swinghandle short with locking set with compression function

## PROGRAM 2225

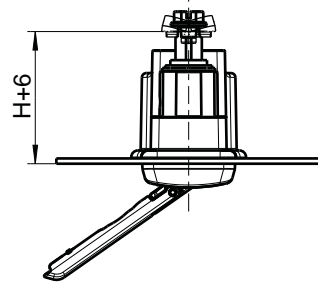


Cut out

Door centre



RH-version shown





**Easy exchange of the locking sets**  
By removing the two lower screws, the locking set can be easily removed to the front.

### Product benefits

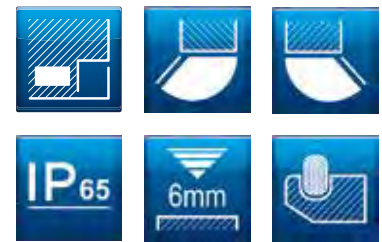
- Flat design
- Easy exchangeable locking unit inserts (locking sets)
- Suitable for standard cut out
- Pre-assembled swinghandle and dish
- Permanent magnet holds the cylinder cover
- Integrated scratch protection prevents surface damage (handle / dish)
- Swinghandle, locking sets and adapter for cam made of zinc die
- Patent submitted

**Swinghandle for locking set and for cam**  
Handle, dish and cylinder cover zinc die black powder-coated;  
pin AISI 303; hook zinc die zinc-plated; circlip m.s. zinc-plated;  
shaft AISI 303; with spring and seal

Please order locking set with left or right version separately 2225-U3

**Locking set with compression function for swinghandle short**  
Housing and cap zinc die black powder-coated;  
locking shaft zinc die zinc-plated;  
permanent magnet; fixing material m.s. zinc-plated; with spring and seal

	Left	Right
for 40 mm profile half cylinder (A = 30 mm)	2225-U11-LI	2225-U11-RE
Round cylinder keyed EK 333 Round cylinder zinc die with stainless steel cap and dust cap. Each round cylinder has one silver steel key with polyamide grip GF black.	2225-U48-LI	2225-U48-RE
Round cylinder keyed different Round cylinder zinc die with stainless steel cap and dust cap. Each round cylinder has one silver steel key with polyamide grip GF black.	2225-U49-LI	2225-U49-RE
for KABA cylinder type 1036 (provided by customer)	2225-U54-LI	2225-U54-RE
Double bit 3; Zinc die chrome-plated	2225-U50-LI	2225-U50-RE
Insert railway; Zinc die chrome-plated	2225-U60-LI	2225-U60-RE



1 Quarter turns

2 Rod controls

3 Locking systems

4 Hinges

5 Seals

6 Handles

7 Aluminium windows

8 Miscellaneous

9 Special catalogues

Index



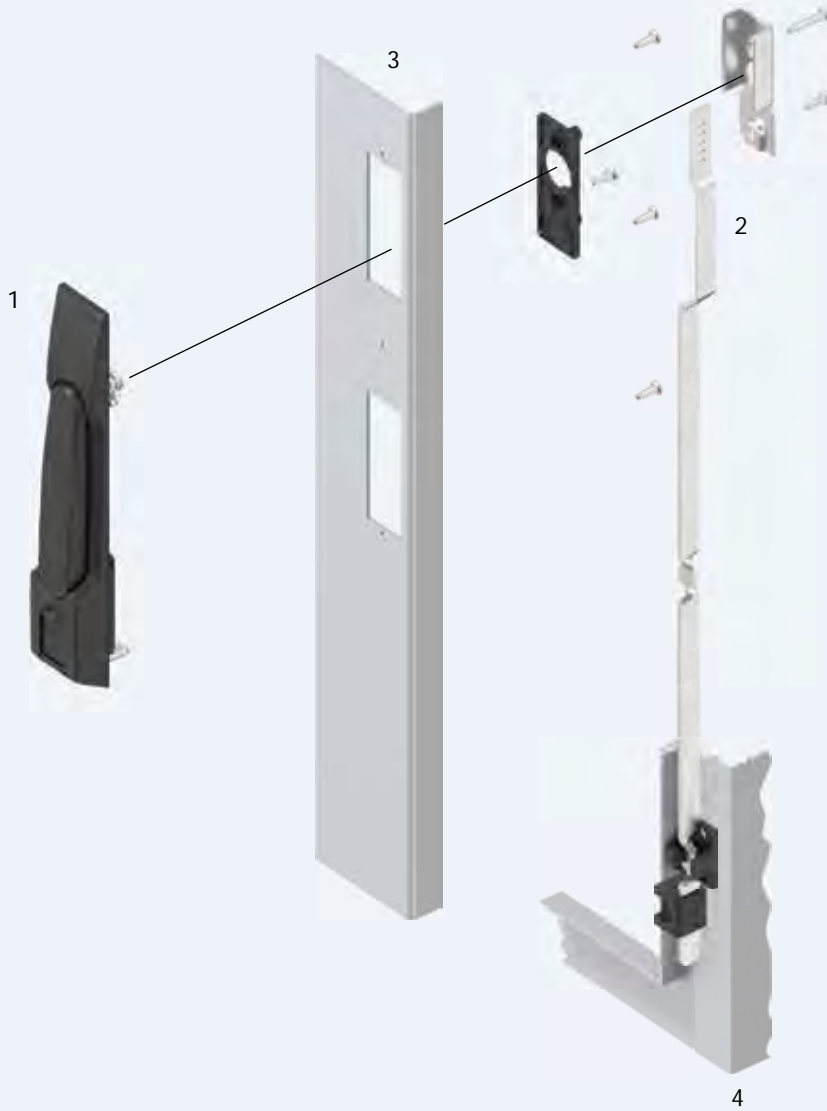
Multicolour pad printing possible

Further door thicknesses on request

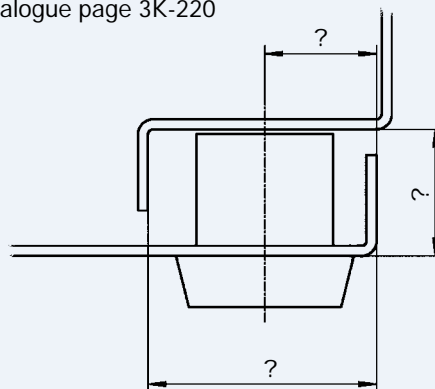
**Further parts see page**  
– Profile half cylinder 3XB-320  
– Cams (GH = 42) 1C-120



# Swinghandle Program 2400



Dimensions for door return  
to 1 = see catalogue page 3K-220



- 1 Swinghandle
- 2 Rod
- 3 Door
- 4 Housing / Frame

3K-220



**3K-100**

Info

1 Quarter turns



2 Rod controls



3 Locking systems

4 Hinges

5 Seals

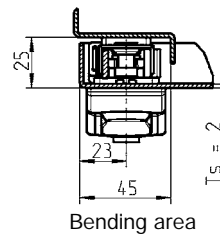
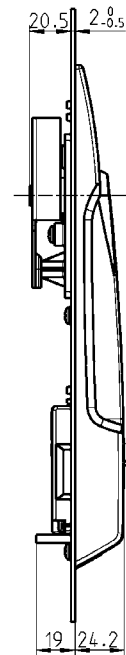
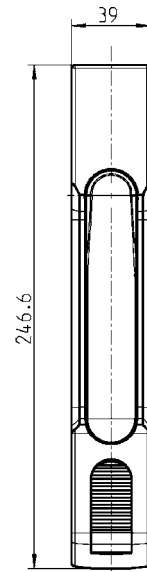
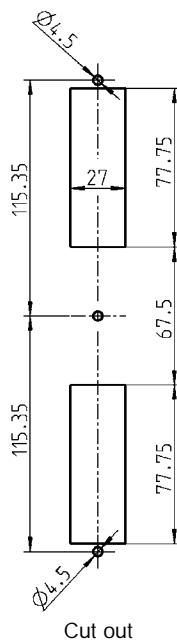
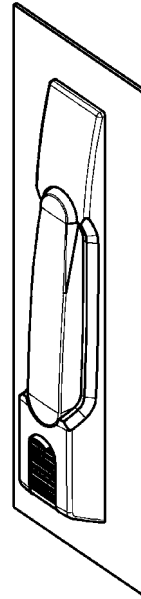
6 Handles

7 Aluminium windows

8 Miscellaneous

9 Special catalogues

Index



Turn = Stroke  
90° = 16 mm

Multicolour pad printing possible

**Further parts see page**

- Locking set without push button 3XA-120
- Locking set with push button 3XA-140
- Locking set ELM 3XA-240
- Special catalogue Electronics on request
- Rod

**Swinghandle with push button (2100-U56) polyamide GF black, lock zinc die, fixing material m.s. zinc-plated, with seal**

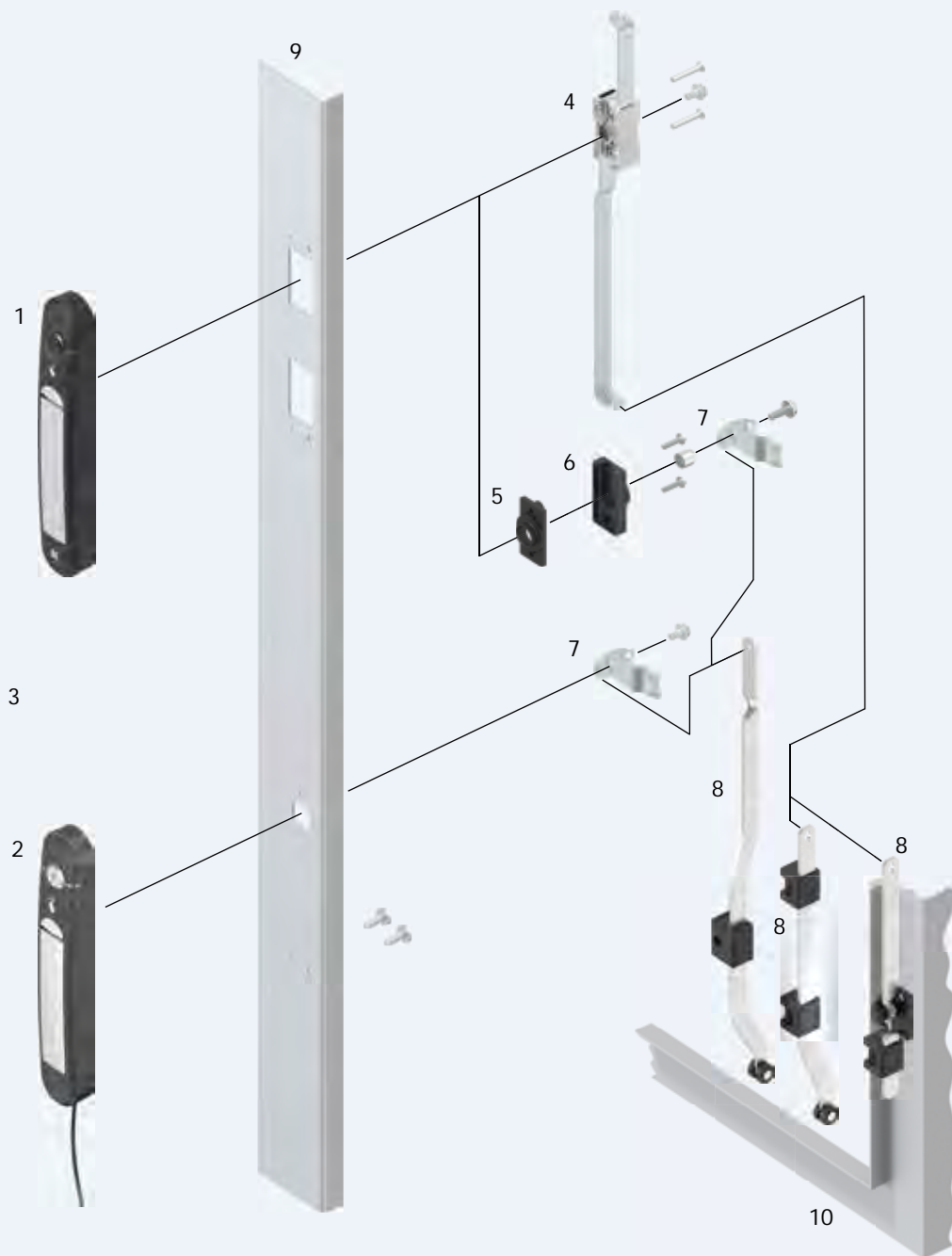
with push button

2400-U3

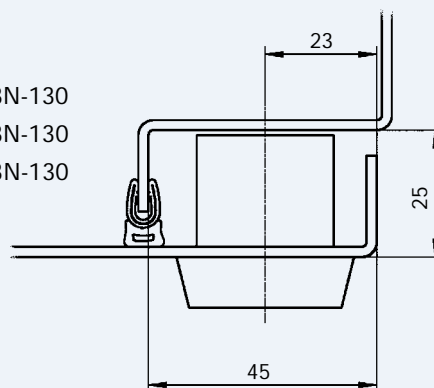
without push button

2400-U4

# Swinghandle *AGENT E* Program 3000



- |    |   |                  |
|----|---|------------------|
| 1  | Swinghandle for rod control or bearing bush | 3N-110 to 3N-130 |
| 2  | Swinghandle with quarter turn for cam       | 3N-110 to 3N-130 |
| 3  | RFID Card                                   | 3N-110 to 3N-130 |
| 4  | Rod control                                 |                  |
| 5  | Adapter plate for bearing bush              |                  |
| 6  | Bearing bush                                |                  |
| 7  | Cam   |                  |
| 8  | Rod   |                  |
| 9  | Door  |                  |
| 10 | Housing / Frame                             |                  |

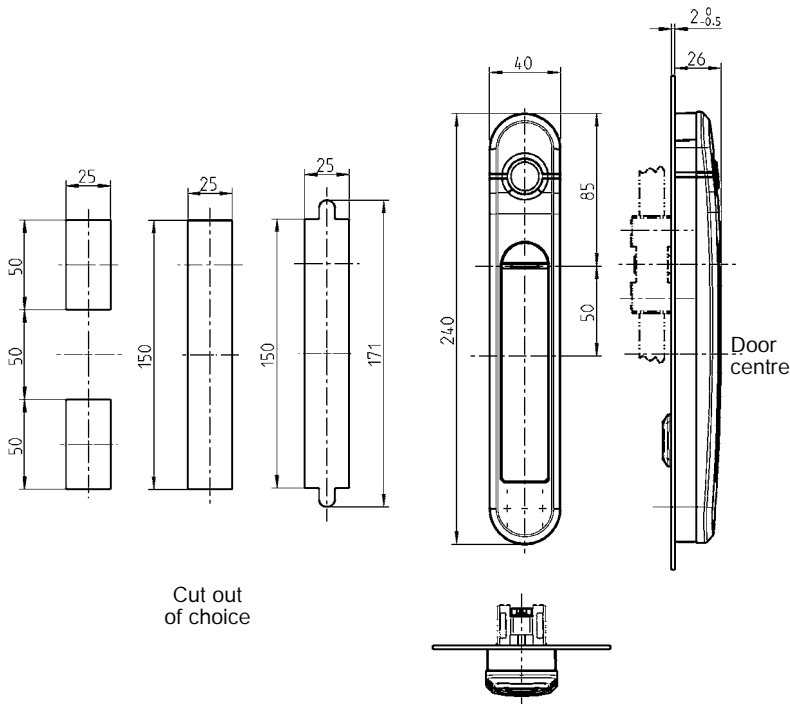


## 3N-100

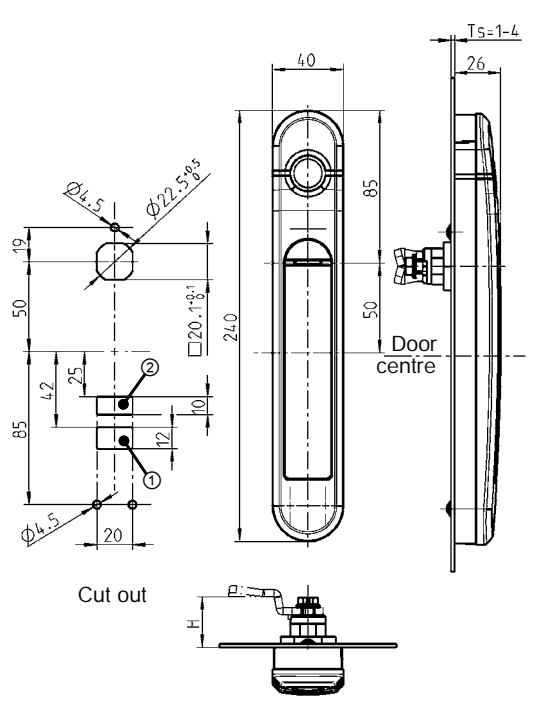
# Swinghandle Agent E Wired

## PROGRAM 3000

### Swinghandle for rod control or bearing bush



### Swinghandle for cam



Required for  
 ① = Door contact  
 ② = Power cable

### Swinghandle Agent E Wired - functions

Tk = door contact

Operation mode	Authentication	Power	Opening standard	Opening optional	Connection option
Wired (cable network)	RFID card (125 kHz or 13.56 MHz)	Cable	Touch	--	Tk

per Control Unit Wireless max. 32 Access Units ≙ max. 64 handles Agent E Wired





Agent E Wired is the cabled version of the electromechanical swinghandle program. It enables a central and complete logging of events. The authentication is done via RFID cards.

### Features

- Authentication by 125 kHz or 13.56 MHz RFID cards. Remote opening is always possible in addition
- Handle type Wired Slave does not have its own authentication and is released in combination with master handle, central keypad/central card reader or by remote opening. The opening is done by touching the sensor field
- 4 eyes principle for authentication with 2 authorized RFID cards
- The handle has a connection option for a door contact
- In combination with the Access Unit the centre LED in the sensor field can be actuated in order to signal possible malfunctions in the rack such as increased temperature
- Two handles Agent E Wired can be connected to one Access Unit
- Max. 32 Access Units can be administered by one Control Unit Wireless
- An emergency opening is possible by using the integrated USB port
- The installation in cabinets of different manufacturers is solved with various adapters, on request



Swinghandle Agent E consisting of:  
dish polyamide GF black;  
handle and shaft zinc die powder-coated white aluminium;  
cable with RJ45 plug 4 m; mounting and operating instructions

	for rod control or bearing bush	for cam
Wired with RFID 125 kHz	on request	on request
Wired with RFID 13.56 MHz	3000-U900-41	3000-U900-42
Wired Slave	on request	on request
<b>RFID Card</b>		
125 kHz		3000-87
13.56 MHz		3000-88
<b>Adapter set for bearing bush; adapter plate polyamide GF black; adapter m.s. precision casting zinc-plated; fixing material m.s. zinc-plated</b>		
for Ts 1.0 - 3.0		3000-U104-01
<b>Adapter set for retrofitting</b>		
for various cabinet types		on request
<b>USB adapter cable</b>		
USB Standard-A on USB Micro-B		3000-U102

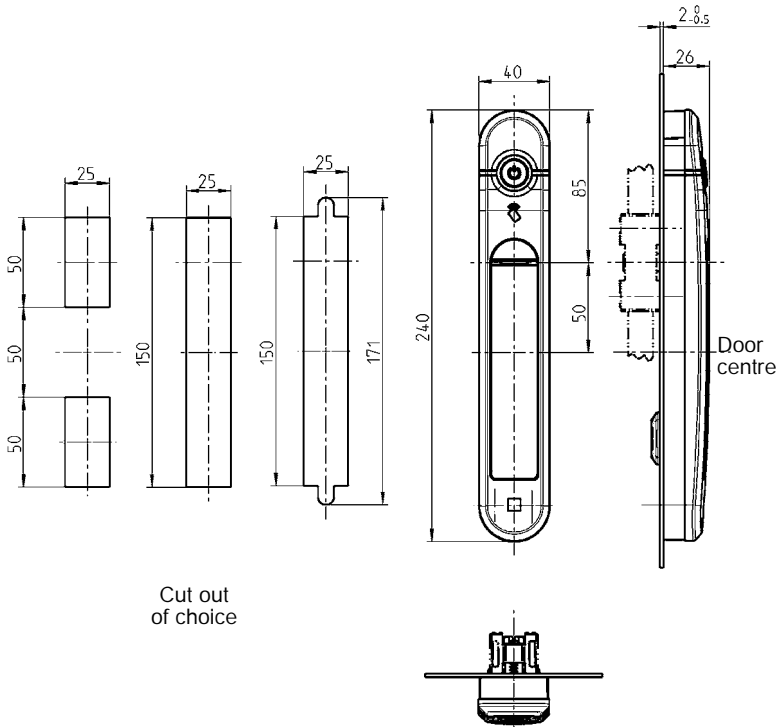
### Further parts see page

- Access Unit  
Special catalogue Electronics
- Door contact  
Special catalogue Electronics
- Rod control 3YA-120  
3YA-140
- Bearing bush 3YB-120
- Cam (GH = 18) 1C-120

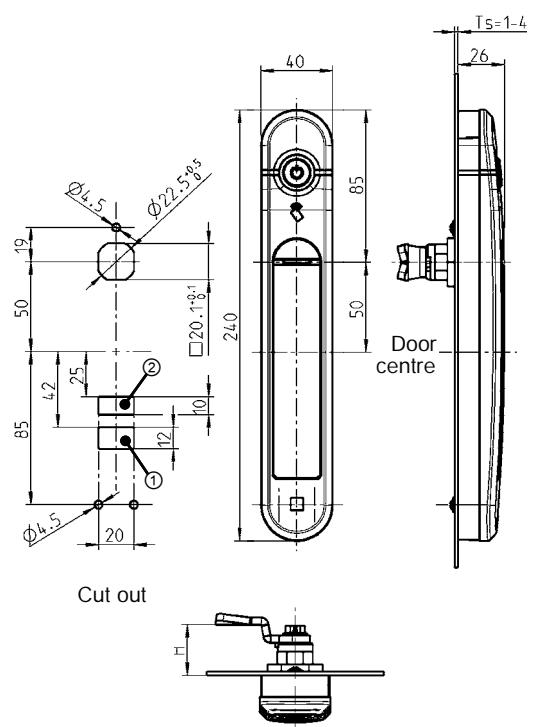
# Swinghandle Agent E Wireless

## PROGRAM 3000

### Swinghandle for rod control or bearing bush



### Swinghandle for cam



Required for  
 ① = Door contact  
 ② = Not needed

### Swinghandle Agent E Wireless - functions

Tk = door contact

Operation mode	Authentication	Power	Opening standard	Opening optional	Connection option
Wireless (wireless network)	RFID card (125 kHz or 13.56 MHz)	Battery	Immediately	--	Tk

per control unit wireless max. 16 access units wireless ≅ max. 1,200 handles Agent E Wireless



RFID

Agent E Wireless



Access Unit Wireless



Control Unit Wireless



Control Cockpit

The Agent E Wireless is still the only swinghandle with wireless communication.  
 Due to its wireless and thus cost-saving mounting it is most suitable for retrofitting in data centres.  
 The authentication is done via RFID cards.  
 A highly-efficient power management guarantees a long battery life.

### Features

- Wireless communication for data exchange via wireless network with Access Units Wireless (industrial standard according to national regulations)
- One Control Unit Wireless can actuate up to 1,200 handles Agent E Wireless using Access Units Wireless in one wireless network
- The authentication can be effected by RFID cards with 125 kHz or 13.56 MHz. Remote opening is always possible in addition
- Extremely energy-efficient battery operation (battery life min. 3 years)
- 4 eyes principle for authentication with 2 authorized RFID cards
- The handle has a connection option for a door contact
- An emergency power function is possible with the integrated USB port
- Agent E Wireless is most suitable for retrofitting due to its wireless mounting
- The installation in cabinets of different manufacturers is solved with various adapters, on request



Swinghandle Agent E consisting of:  
 dish polyamide GF black;  
 handle and shaft zinc die powder-coated white aluminium;  
 2 batteries; mounting and operating instructions

③ Wireless type for all EU countries plus Switzerland and Norway	for rod control or bearing bush	for cam
Wireless with RFID 125 kHz	on request	on request
Wireless with RFID 13.56 MHz	3000-U911-41	3000-U911-42
RFID Card		
125 kHz		3000-87
13.56 MHz		3000-88
Adapter set for bearing bush; adapter plate polyamide GF black; adapter m.s. precision casting zinc-plated; fixing material m.s. zinc-plated		
for Ts 1.0 - 3.0		3000-U104-01
Adapter set for retrofitting		
for various cabinet types		on request

**③ Note:**  
 Wireless versions for other countries on request

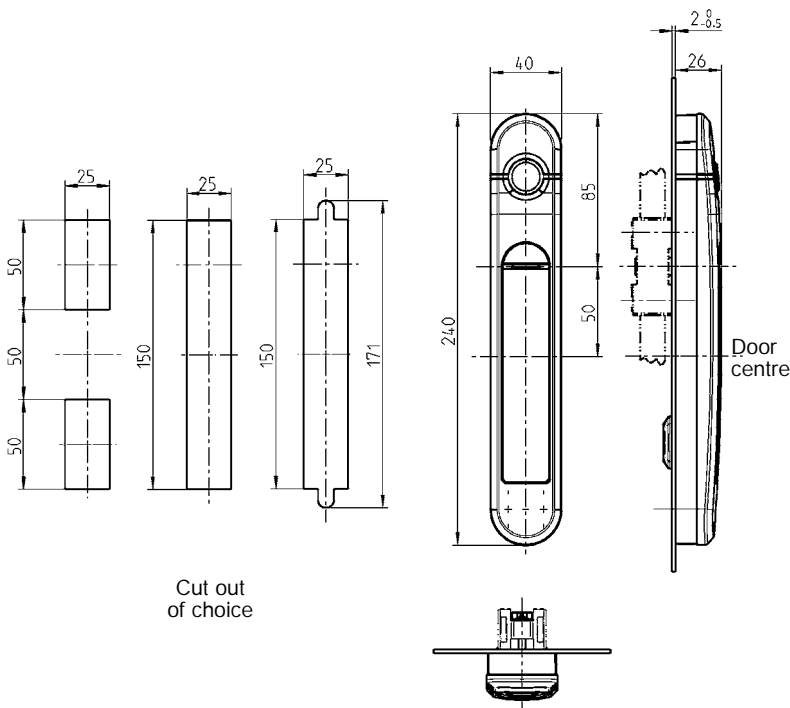
Other card systems such as e.g. Legic or Mifare Desfire EV1 available on request

**Further parts see page**  
 – Access Unit Wireless  
     Special catalogue Electronics  
 – Door contact  
     Special catalogue Electronics  
 – Rod control                     3YA-120  
   3YA-140  
 – Bearing bush                 3YB-120  
 – Cam (GH = 18)               1C-120

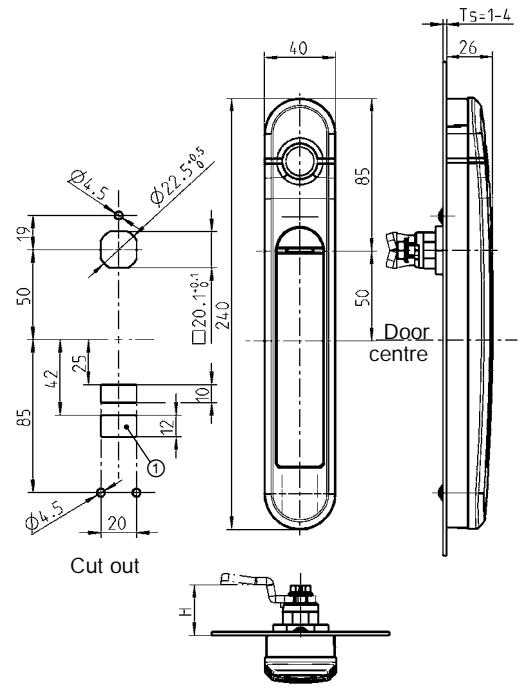
# Swinghandle Agent E RFID Stand-Alone

## PROGRAM 3000

### Swinghandle for rod control or bearing bush



### Swinghandle for cam



Required for  
 Ⓢ = Door contact

### Swinghandles Agent E RFID Stand-Alone - functions

Tk = door contact; SA = status display

Operation mode	Authentication	Power	Opening standard	Opening optional	Connection option
Stand-Alone	RFID card (125 kHz or 13.56 MHz)	Battery	Immediately		Tk

max. 128 transponder cards per handle  
 Card management via USB with software tool



### Agent E RFID Stand-Alone

This version consists of a battery-operated Agent E handle with integrated card reader for 125 kHz or 13.56 MHz transponder cards.

By holding an authorised card in front of the integrated reader, the handle will open.

Easy to configure using software.

This handle does not require any external cabling to work.

### Features

- Battery-operated handle with integrated RFID reader
- Authentication by 125 kHz or 13.56 MHz transponder cards
- Extremely energy-efficient battery operation (battery life min. 3 years)
- Configuration via USB port with Agent E configuration software (card administration, time profiles, reading out event logs)
- All handles have a connector for adding a door contact
- Data storage for 2,000 events
- Emergency power function and emergency opening via USB port
- The installation in cabinets of different manufacturers is solved with various adapters, on request



**Swinghandle Agent E consisting of:**  
 dish polyamide GF black;  
 handle and shaft zinc die powder-coated white aluminium;  
 2 batteries, mounting and operating instructions

	for rod control or bearing bush	for cams
Stand-Alone with RFID 125 kHz	on request	on request
Stand-Alone with RFID 13.56 MHz	3000-U910-21	3000-U910-22
<b>Transponder card</b>		
125 kHz		3000-87
13.56 MHz		3000-88
<b>Adapter set for bearing bush; adapter plate polyamide GF black; adapter m.s. precision casting zinc-plated; fixing material m.s. zinc-plated</b>		
for Ts 1.0 - 3.0		3000-U104-01
<b>Adapter set for retrofitting</b>		
for various cabinet types		on request
<b>USB adapter cable</b>		
USB Standard-A on USB Micro-B		3000-U102

### Further parts see page

- Rod control 3YA-120
  - 3YA-140
  - Bearing bush 3YB-120
  - Cam (GH = 18) 1C-120
  - Door contact
- Special catalogue Electronics



# Locking sets

## Program 1107, 1150, 1180, 1190, 1390, 2100, 2400



- 1 Swinghandle Program 1107, 1150, 1180, 1190, 1390, 2100, 2400
- 2 Locking set with profile half cylinder according to DIN 18252
- 3 Locking set with profile half cylinder with round cylinder
- 4 Locking set with profile half cylinder with insert
- 5 Locking set with profile half cylinder with round cylinder and push button
- 6 Locking set for profile half cylinder according to DIN 18252 is provided by the customer
- 7 Locking set for ASSA cylinder is provided by the customer
- 8 Locking set with round cylinder
- 9 Locking set with insert
- 10 Locking set for KABA cylinder is provided by the customer
- 11 Locking set with push button
- 12 Locking set ELM see special catalogue Electronics

# 3XA-100

Info  
1 Quarter turns  
2 Rod controls  
3 Locking systems  
4 Hinges  
5 Seals  
6 Handles  
7 Aluminium windows  
8 Miscellaneous  
9 Special catalogues  
Index



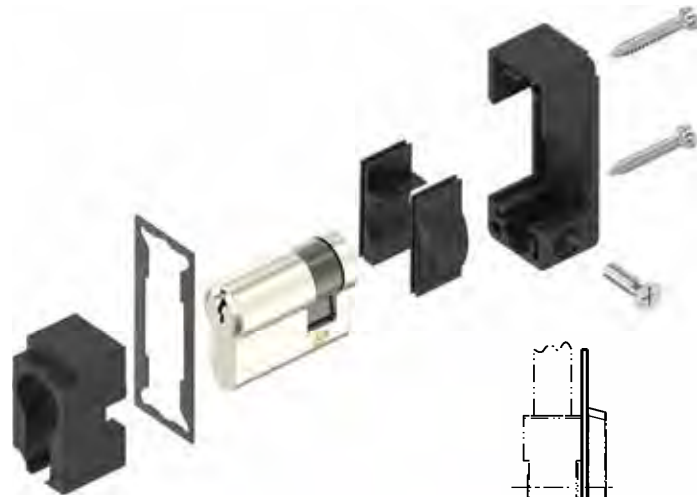
#### 1109-U52 and 1109-U53

In unlocked position the handle operates by pressing the push button.

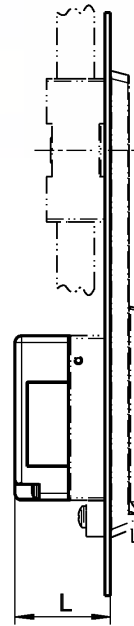


#### 2100-U6

for ASSA cylinder. Attention! ASSA cylinder and 2 fixing screws M5x8 are not included in scope of delivery.



Program	Dimension L
1150	.42
1180	.32
1190	.29.5
1390	-
2100	.36
2400	.23



Locking set polyamide black with or without profile half cylinder or ASSA cylinder, fixing material m.s. zinc-plated., with seal

Locking set profile half cylinder according to DIN 18252, brass nickel-plated with 3 keys (also available as master key system)

keyed different	1089-U5	keyed alike 110319 N	1089-U6
for profile half cylinder 40 mm (A = 30 mm) to be supplied by the customer			2100-U11

Locking set profile half cylinder with round cylinder zinc die with stainless steel cap and dust protection

Each round cylinder has one silver steel key with grip polyamide GF black

keyed different	1109-U50	keyed EK 333	1109-U51
-----------------	----------	--------------	----------

Locking set profile half cylinder with push button, round cylinder zinc die chrome-plated. Each round cylinder has one silver steel key with grip polyamide GF black

keyed different	1109-U52	keyed 2233X	1109-U53
-----------------	----------	-------------	----------

Locking set profile half cylinder with insert zinc die chrome-plated

Square 6	1109-U18	Double bit 3	1109-U34
Square 7	1109-U19	Double bit 5	1109-U35
Square 8	1109-U20	Hexagon female SW 10	1109-U27
Square 8 slotted	1109-U21	Square female 6	1109-U28
Triangular 6.5 CNOMO	1109-U22	Square female 8	1109-U29
Triangular 7	1109-U23	Daimler Benz	1109-U30
Triangular 8	1109-U24	Slot 1.2 x 3	1109-U31
Triangular 9	1109-U25	Slot 2 x 4	1109-U32
Triangular 10	1109-U26	Crown type	1109-U33
		Eastern Europe Ø 13 half-round	1109-U58

Locking set for ASSA cylinder is provided by the customer (without seal)

2100-U6

Further parts see page  
– Key 8B-120

Program 1150  
– Swinghandle 1151 3C-420  
3C-440

Program 1180  
– Swinghandle 3E-120  
to 3E-520

Program 1190  
– Lifthandle 3F-120

Program 1390  
– Lifthandle 3FA-120

Program 2100  
– Swinghandle 3H-320  
to 3H-420

Program 2400  
– Swinghandle 3K-220



# Locking set

PROGRAM 1107, 1150, 1180, 1390, 2100, 2400

All round cylinders and inserts are spring-loaded

Program	Dimension L
1150	31.5
1180	21.5
1390	-
2100	25
2400	20



### 2100-U54

Prepared for KABA cylinder.  
Attention! KABA cylinder and 2 countersunk screws M2,3x8 are not included in scope of delivery.

Locking set polyamide GF black with round cylinder or insert, fixing material m.s. zinc-plated, with seal

Locking set round cylinder zinc die with stainless steel cap and dust cap. Each round cylinder has one silver steel key with grip polyamide GF black

keyed EK 333	2100-U48	keyed different	2100-U49
Installation kit for KABA cylinder type 1036 (provided by customer)			2100-U54

Locking set insert zinc die chrome-plated

Square 6	2100-U32	Hexagon female SW 10	2100-U41
Square 7	2100-U33	Square female 6	2100-U42
Square 8	2100-U34	Square female 8	2100-U43
Square 8 slotted	2100-U35	Daimler Benz	2100-U44
Triangular 6.5 CNOMO	2100-U36	FIAT	2100-U53
Triangular 7	2100-U37	Slot 1.2 x 3	2100-U45
Triangular 8	2100-U38	Slot 2 x 4	2100-U46
Triangular 9	2100-U39	Crown type	2100-U47
Triangular 10	2100-U40	Eastern Europe Ø 13 half-round	2100-U58
Double bit 3	2100-U50	Push button	2100-U57
Double bit 5	2100-U51		

Further parts see page  
– Key

8B-120

### Program 1150

– Swinghandle 1151 3C-420  
3C-440

### Program 1180

– Swinghandle 1185 3E-520

### Program 1390

– Lifthandle 3FA-120

### Program 2100

– Swinghandle 3H-320  
to 3H-420

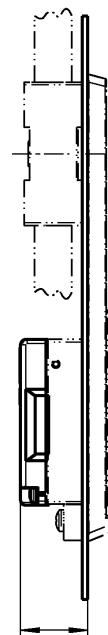
### Program 2400

– Swinghandle 3K-220



All round cylinders and inserts are spring-loaded

Program	Dimension L
1180	.21.5
1190	.29.5
2400	.20



**Locking set polyamide GF black, fixing material m.s. zinc-plated**

**Round cylinder zinc die with stainless steel cap and dust cap.**

**Each round cylinder has one silver steel key with grip polyamide GF black**

keyed EK 333	2100-B30
keyed different	2100-B31

**Insert zinc die chrome-plated**

Square 6	2100-B14
Square 7	2100-B15
Square 8	2100-B16
Square 8 slotted	2100-B17
Triangular 6.5 CNOMO	2100-B18
Triangular 7	2100-B19
Triangular 8	2100-B20
Triangular 9	2100-B21
Triangular 10	2100-B22
Double bit 3	2100-B32
Double bit 5	2100-B33
Hexagon female SW 10	2100-B23
Square female 6	2100-B24
Square female 8	2100-B25
Daimler Benz	2100-B26
FIAT	2100-B34
Slot 1.2 x 3	2100-B27
Slot 2 x 4	2100-B28
Crown type	2100-B29
Eastern Europe Ø 13 half-round	2100-B36
Push button	2100-U56

**Further parts see page**  
– Key 8B-120

**Program 1180**  
– Swinghandle 1180 3E-120  
to 3E-320

**Program 1190**  
– Swinghandle 3F-120

**Program 2400**  
– Swinghandle 3K-220

# Locking sets

## Profile half cylinder

### Program 1107, 1125, 1150, 1225, 1190, 1317, 1325, 2225



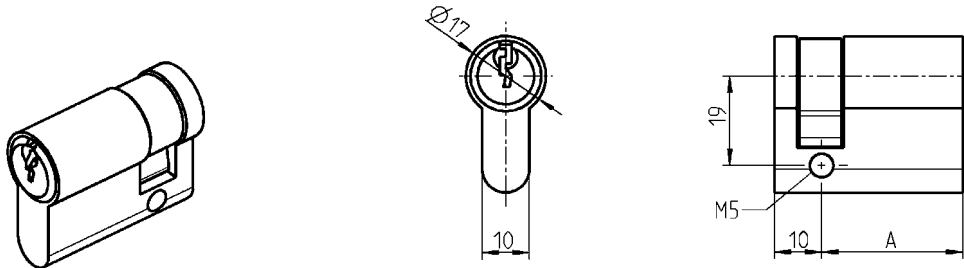
- 1 Swinghandle Program 1107, 1125, 1150, 1225, 1190, 1317, 1325, 2225
- 2 Profile half cylinder DIN 18252
- 3 Profile half cylinder with round cylinder with spring return
- 4 Profile half cylinder with round cylinder
- 5 Profile half cylinder with insert with spring return
- 6 Profile half cylinder with insert
- 7 Profile half cylinder with radial pin cylinder with spring return
- 8 Profile half cylinder with push button
- 9 Blind plug

**3XB-100**

# Profile half cylinder

**PROGRAM 1107, 1125, 1150, 1225, 1317, 1325**

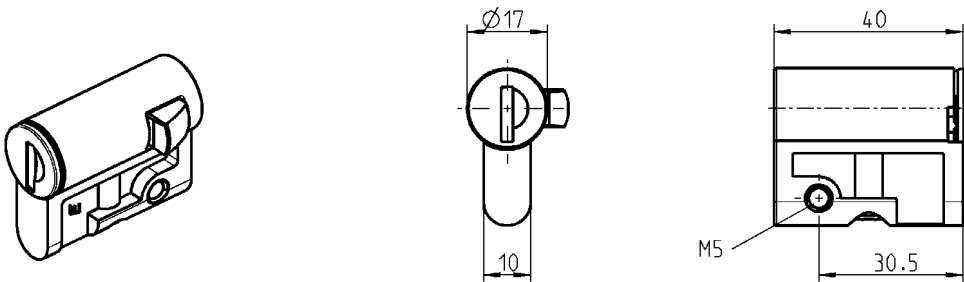
Profile half cylinder according to DIN 18252 (EN 1303)



**Profile half cylinder according to DIN 18 252 brass nickel-plated with 3 keys, locking cam reversible every 45°**

keyed different	A = 30	1089-U1
keyed 110319 N	A = 30	1089-U2
(Master key system on request)		

**EMKA profile half cylinder with round cylinder**



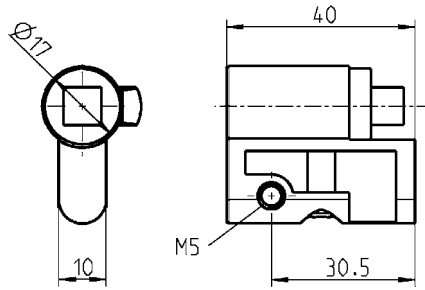
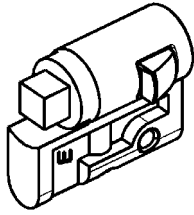
**EMKA profile half cylinder with round cylinder zinc die with stainless steel cap and dust cap, one key made of nickel silver per round cylinder with grip polyamide GF black.**

keyed different	1109-U1-N
keyed EK 333	1109-U2-N

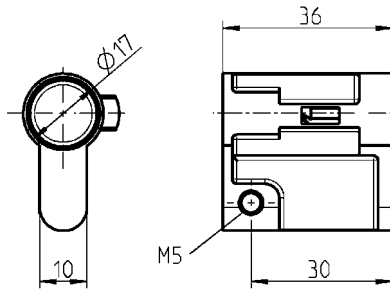
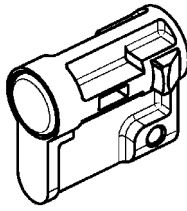
**EMKA profile half cylinder with insert zinc die chrome-plated, spring loaded return of locking cam into locked position.**

Square 6	1109-U4-N
Square 7	1109-U5-N
Square 8	1109-U6-N
Square 8 slotted	1109-U7-N
Triangular 6.5 CNOMO	1109-U17-N
Triangular 7	1109-U8-N
Triangular 8	1109-U9-N
Double bit 3	1109-U10-N
Double bit 5	1109-U11-N
Hexagon female SW 8	1109-U12-N
Hexagon female SW 10	1109-U13-N
Square female 8	1109-U55-N
Slot 2 x 4	1109-U14-N
Daimler Benz	1109-U15-N
Eastern Europe Ø 13 half-round	1109-U54-N

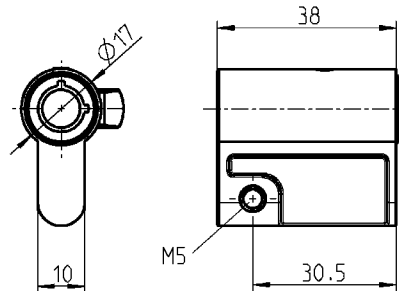
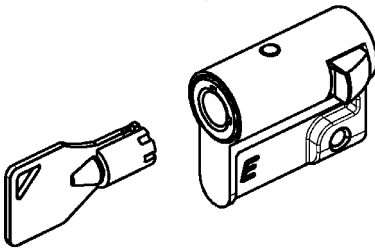
### EMKA profile half cylinder with insert



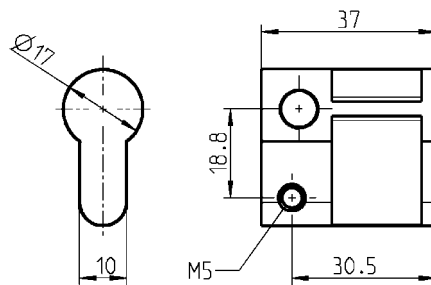
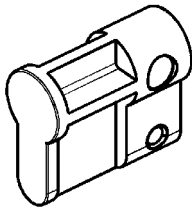
### Push button profile half cylinder



### Radial pin snap-in cylinder



### Blind plug



### Further parts see page

- Key 8B-120
- Spare key 8B-140
- Locking set 3XC-120

### Program 1107

- Swinghandle 3A-120 to 3A-320

### Program 1125

- Swinghandle 3B-220 to 3B-420

### Program 1150

- Swinghandle 1153 3C-320
- Swinghandle 1154 3C-220 to 3C-260

### Program 1190

- Lifhandle 3F-330

### Program 1225

- Swinghandle 3G-220

### Program 1317

- Swinghandle 3AB-120 to 3AB-140

### Program 1325

- Swinghandle 3BA-220

### Push button profile half cylinder polyamide GF black

1109-U59

### Radial pin snap-in cylinder zinc die chrome-plated, spring-loaded return of locking cam into locked position. Key only removable in locked position.

keyed 20001

1109-U60

keyed different

1109-U61

Spare key 20001

1108-U52

Spare key, keyed different

1108-U52-V

### Blind plug polyamide GF black, spring-loaded ball m.s. burnished

with spring-loaded ball

1109-U3

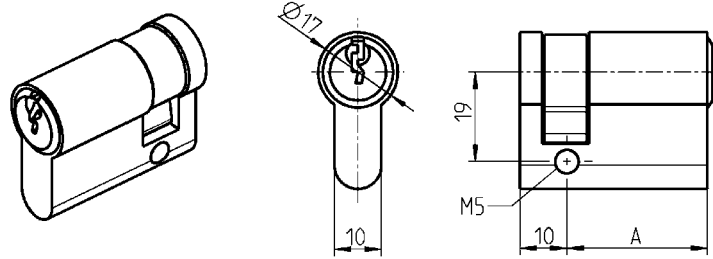
without spring-loaded ball

1109-09-AA

## Profile half cylinder

### PROGRAM 1125, 1225, 1317

Profile half cylinder according to DIN 18252 (EN 1303)



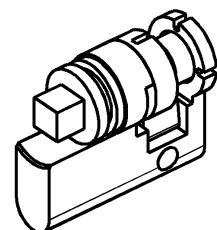
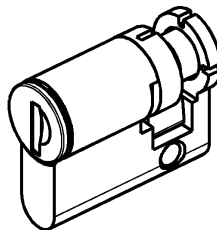
Profile half cylinder according to DIN 18 252 brass nickel-plated with 3 keys, locking cam reversible every 45°

keyed different	A = 30	1089-U1
keyed 110319 N	A = 30	1089-U2
(Master key system on request)		



EMKA profile half cylinder with round cylinder, turn 360°

EMKA Profile half cylinder with insert, turn 360°



EMKA profile half cylinder with round cylinder zinc die with stainless steel cap and dust cap, each round cylinder has one silver steel key with grip polyamide GF black, turn 360°

keyed different or keyed EK 333	on request
---------------------------------	------------

EMKA profile half cylinder with insert zinc die chrome-plated., turn 360°

Insert, e.g. square, triangular, double bit, slot and more	on request
--	------------

**Note:**

For the swinghandle 1225-U60 (3G-320) only profile half cylinders 1089-U1 or 1089-U2 can be used!

**Further parts see page**

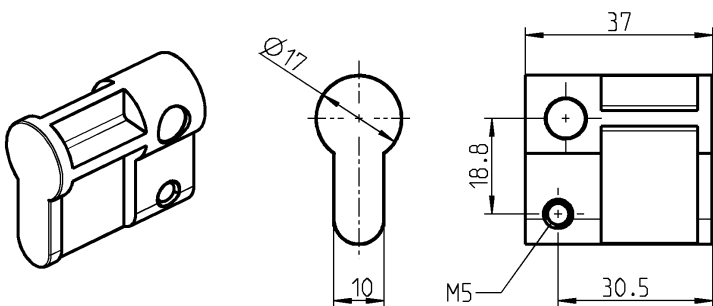
- Key 8B-120
- Spare key 8B-140

**Program 1125**  
- Swinghandle 3B-320

**Program 1225**  
- Swinghandle 3G-320

**Program 1317**  
- Swinghandle 3AB-160

**Blind plug**



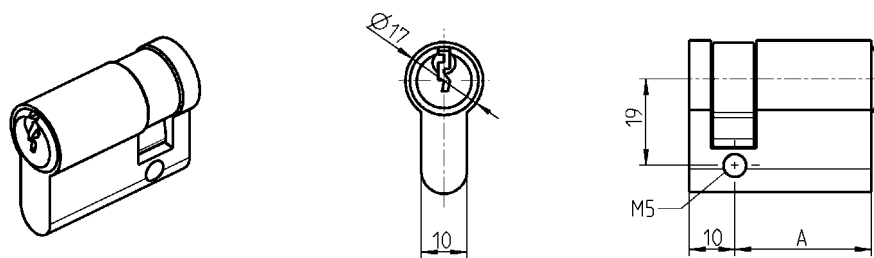
Blind plug polyamide GF black

1109-09-AA

# Profile half cylinder

PROGRAM 1150, 1190, 2225

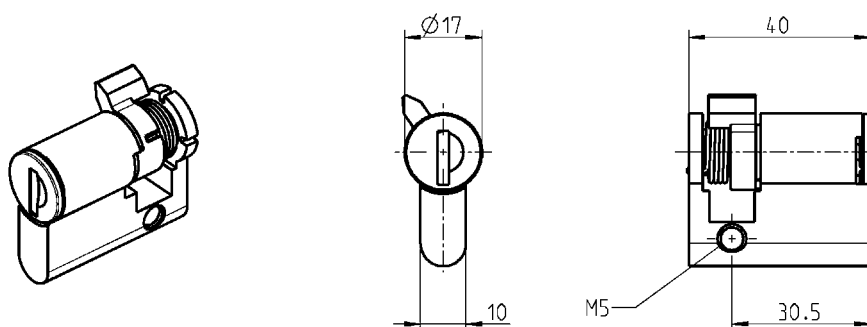
Profile half cylinder according to DIN 18252 (EN 1303)



Profile half cylinder according to DIN 18252 brass nickel-plated with 3 keys, locking cam reversible every 45°

keyed different	A = 30	1089-U1
keyed 110319 N	A = 30	1089-U2
(Master key system on request)		

EMKA profile half cylinder with round cylinder



EMKA profile half cylinder with round cylinder zinc die with stainless steel cap and dust cap, key only removable in locked position, spring-loaded return of locking cam into locked position. Each round cylinder has one silver steel key with grip polyamide GF black

keyed different	1109-U50-01
keyed EK 333	1109-U51-01

EMKA profile half cylinder with insert zinc die chrome-plated, spring-loaded return of locking cam into locked position

Square 6	1109-U18-01
Square 7	1109-U19-01
Square 8	1109-U20-01
Square 8 slotted	1109-U21-01
Triangular 6.5 CNOMO	1109-U22-01
Triangular 7	1109-U23-01
Triangular 8	1109-U24-01
Triangular 9	1109-U25-01
Triangular 10	1109-U26-01
Double bit 3	1109-U34-01
Double bit 5	1109-U35-01
Hexagon female SW 10	1109-U27-01
Square female 6	1109-U28-01
Square female 8	1109-U29-01
Daimler Benz	1109-U30-01
Slot 1.2 x 3	1109-U31-01
Slot 2 x 4	1109-U32-01
Crown type	1109-U33-01
Eastern Europe Ø 13 half-round	1109-U58-01



Further parts see page

- Key 8B-120
- Spare key 8B-140

**Program 1150**  
- Swinghandle 1154 3C-280

**Program 1190**  
- Swinghandle 3F-430

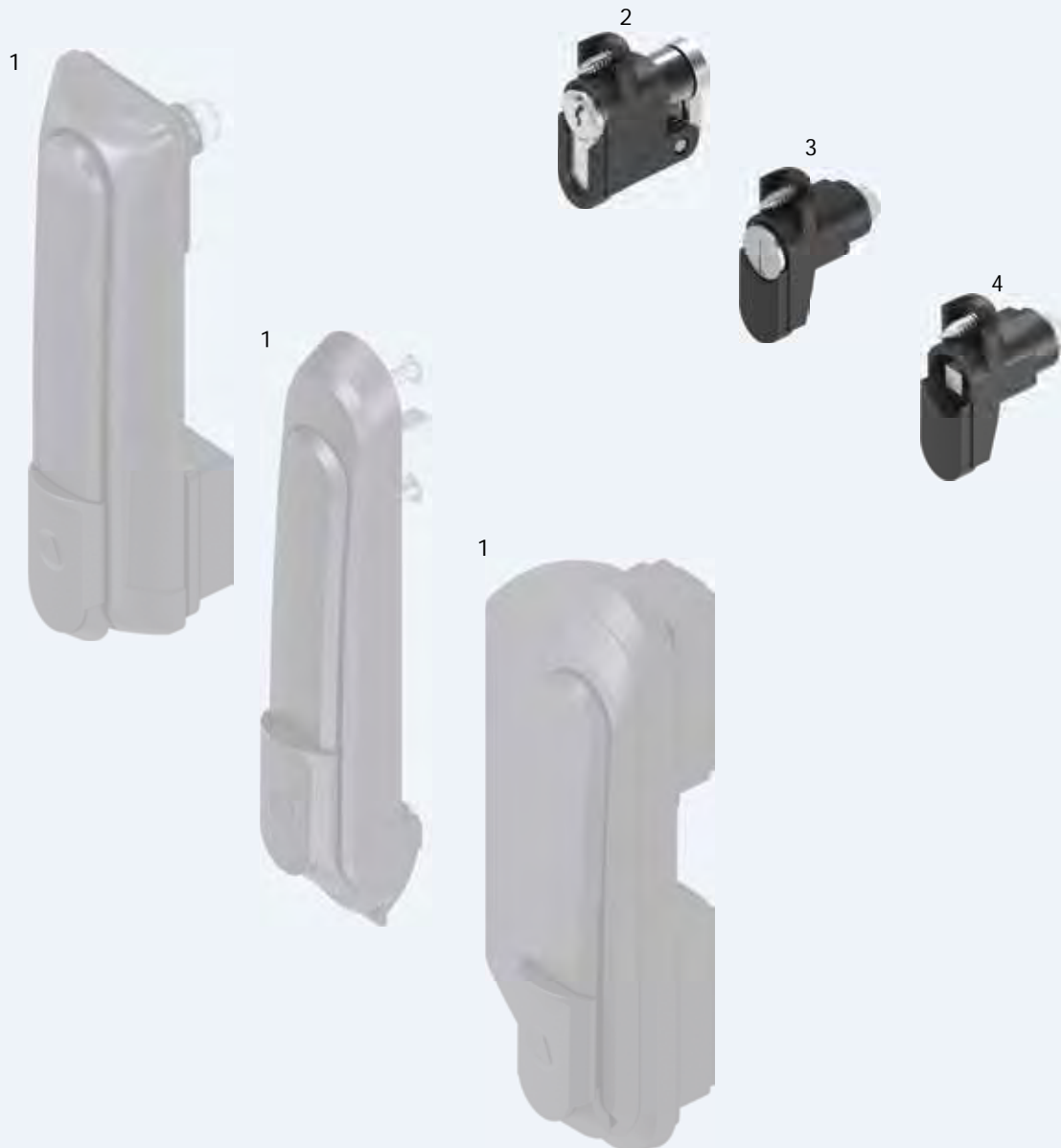
**Program 2225**  
- Swinghandle 3J-120





# Locking sets

## Program 1317, 1325



- 1 Swinghandle Program 1317, 1325
- 2 Locking set for profile half cylinder DIN 18252
- 3 Locking set with round cylinder
- 4 Locking set with insert

**3XC-100**

### New locking set series PROGRAM 1317, 1325

Info  
1 Quarter turns  
2 Rod controls  
3 Locking systems  
4 Hinges  
5 Seals  
6 Handles  
7 Aluminium windows  
8 Miscellaneous  
9 Special catalogues  
Index

(<sup>1</sup>) (In case of profile half cylinder the locking cam must be set to 90°)



**Further parts see page**  
 – Profile half cylinder 3XB-120  
 (Blind plug without spring-loaded ball not usable)

– Key 8B-120  
 – Spare key 8B-140

**Program 1317**  
 – Swinghandle 3AB-140

**Program 1325**  
 – Swinghandle 3BA-220  
 3BA-320



**Locking set polyamide GF black; screws m.s. zinc-plated**

for profile half cylinder 40 mm (A = 30 mm) (<sup>1</sup>)

1109-U101



**Locking set polyamide GF black;**

**round cylinder zinc die with stainless steel cap and dust protection; screws m.s. zinc-plated. Each round cylinder has one silver steel key with grip polyamide GF black**

keyed EK 333

1109-U103

keyed different

1109-U104

**Assembly of swinghandle and locking set on request**

1109-990



**Locking set polyamide GF black;**

**insert zinc die chrome-plated, screws m.s. zinc-plated**

Square 6

1109-U105

Square 7

1109-U106

Square 8

1109-U107

Square 8 slotted

1109-U108

Triangular 6.5 CNOMO

1109-U109

Triangular 7

1109-U110

Triangular 8

1109-U111

Triangular 9

1109-U112

Triangular 10

1109-U113

Double bit 3

1109-U114

Double bit 5

1109-U115

Hexagon female SW 10

1109-U116

Square female 6

1109-U117

Square female 8

1109-U118

Daimler Benz

1109-U119

Slot 1.2 x 3

1109-U120

Slot 2 x 4

1109-U121

Crown type

1109-U122

Eastern Europe Ø 13 half-round

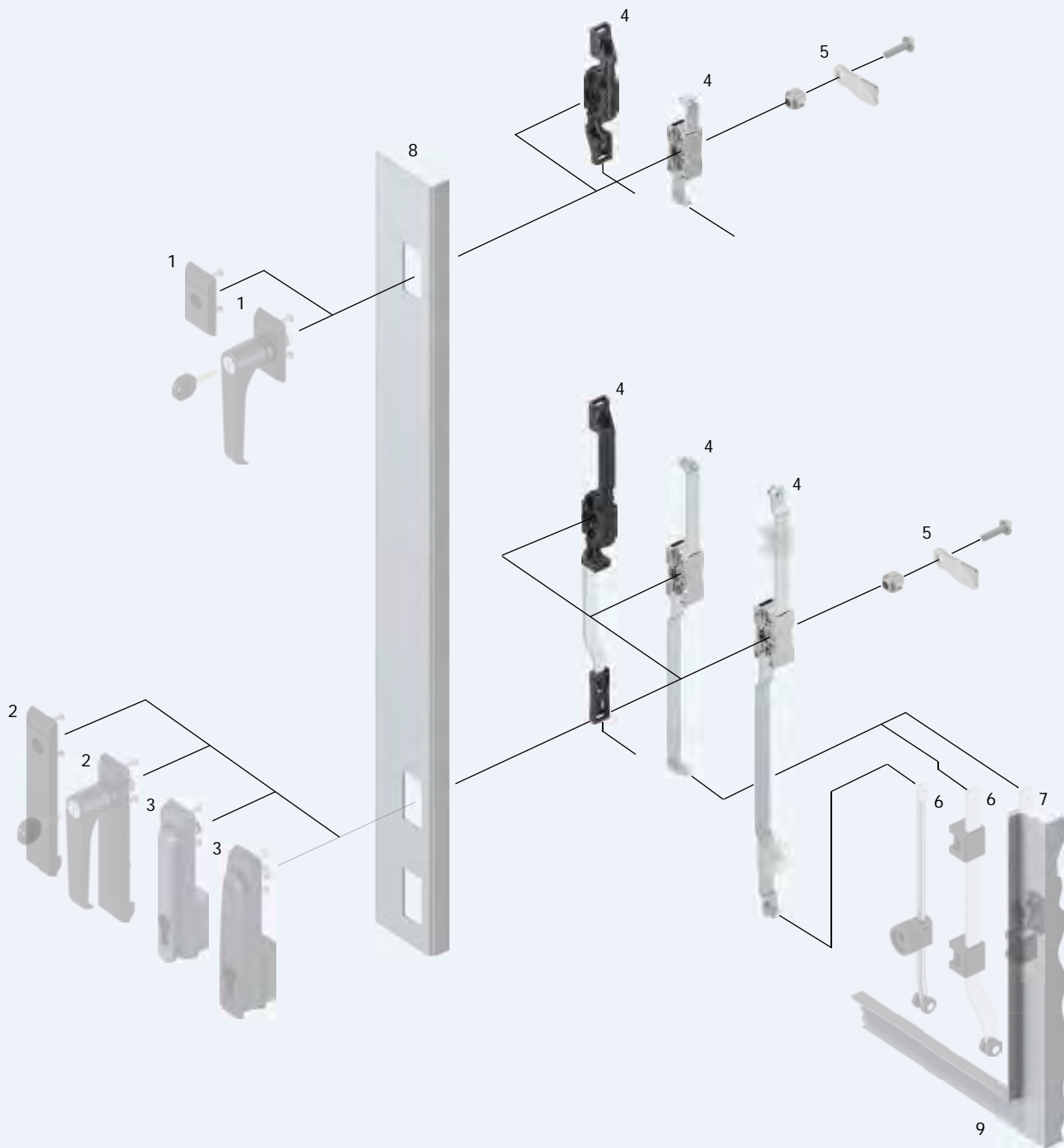
1109-U123

**Assembly of swinghandle and locking set on request**

1109-990

# Rod control

## Program 1125, 1150, 1225, 1325, 2100, 2225, 3000



- 1 Escutcheon small
- 2 Escutcheon long
- 3 Swinghandle
- 4 Rod control
- 5 Cam
- 6 Rod (inside the sealing)
- 7 Rod (outside the sealing)
- 8 Door
- 9 Housing / Frame

Program 1125, 1225  
 Program 1125, 1225, 1325, 2100  
 Program 1125, 1150, 1225, 1325, 2100, 2225, 3000  
 3YA-110 bis 3YA-540  
 3YA-820, 3YA-840



# 3YA-100

Info

1 Quarter turns

2 Rod controls

3 Locking systems

4 Hinges

5 Seals

6 Handles

7 Aluminium windows

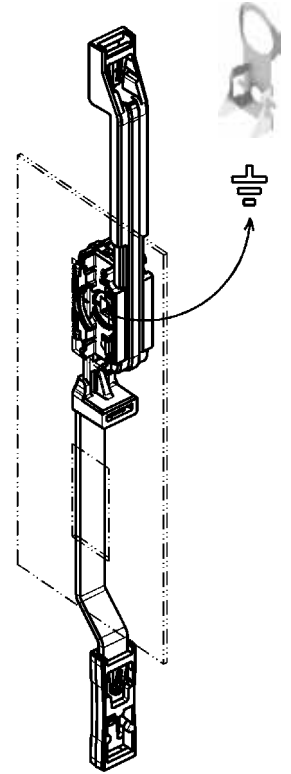
8 Miscellaneous

9 Special catalogues

Index



#### Quick assembly of the rod



#### Further parts see page

– Rods

outside 3ZA-120

inside 3ZB-120  
(only flat rods possible)

3ZB-200

3ZB-220

– Grounding device 3YA-720

– Cam 3YA-820

(Swinghandle 1325) 3YA-840

#### Program 1125

– Escutcheon long 3B-120

3B-180

– Swinghandle 3B-220

3B-420

#### Program 1150

– Swinghandle 1150 3C-160

3C-720

– Swinghandle 1153 to 3C-750

to

3C-320

#### Program 1225

– Escutcheon long 3G-120

3G-180

– Swinghandle 3G-220

3G-420

#### Program 1325

– Escutcheon 3BA-120

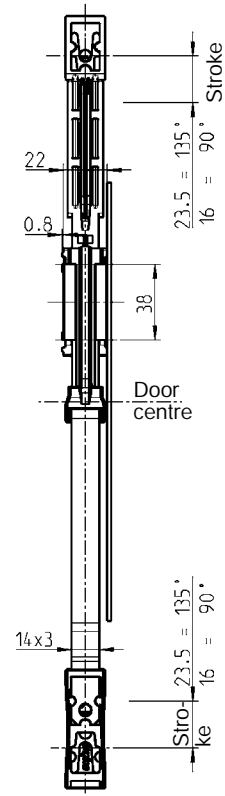
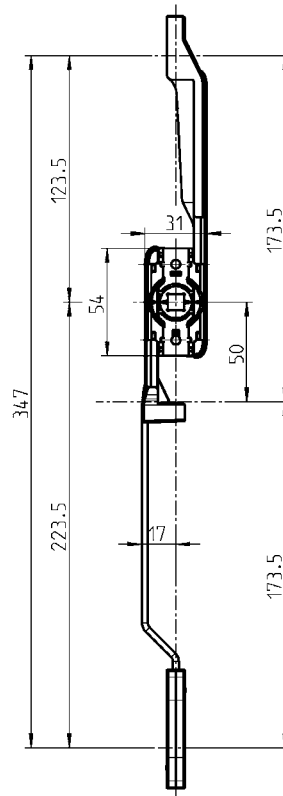
3BA-220

#### Program 2225

– Swinghandle 3J-120

#### Program 3000

– Swinghandle 3N-120



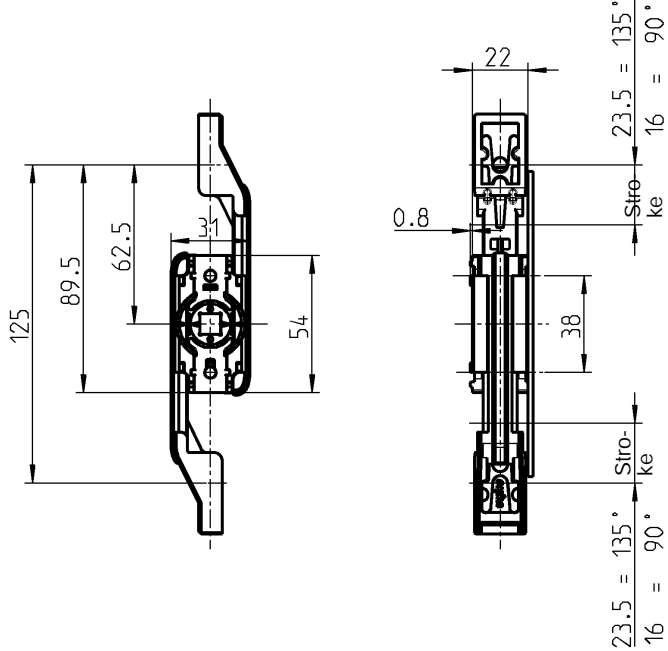
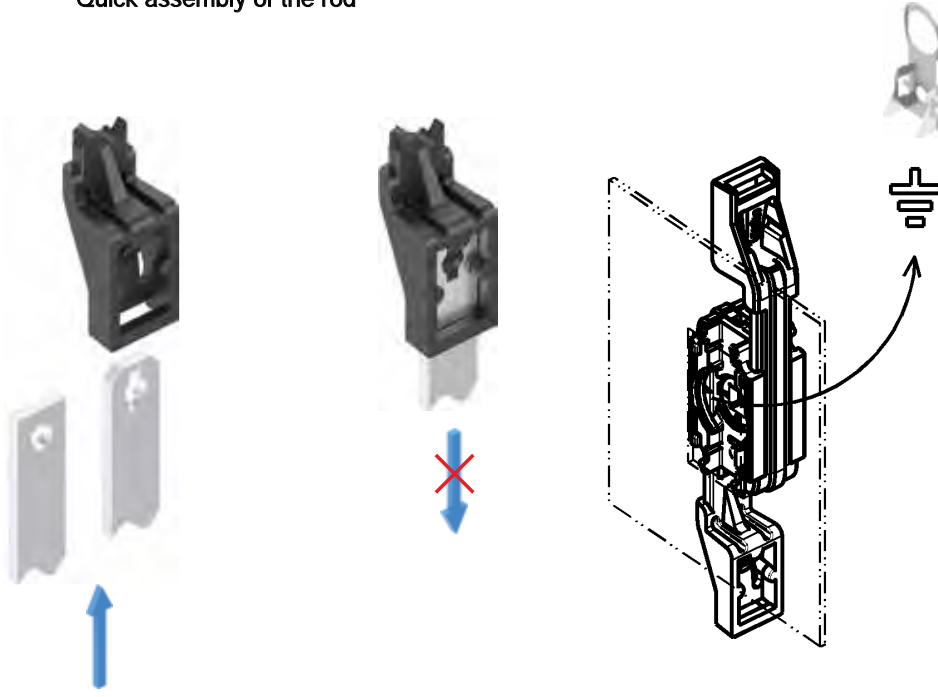
Rod control made of high performance plastics

1121-U26-K

# Rod control for flat rods

## PROGRAM 1125, 1225

### Quick assembly of the rod



1 Quarter turns

2 Rod controls

3 Locking systems

4 Hinges

5 Seals

6 Handles

7 Aluminium windows

8 Miscellaneous

9 Special catalogues

Index

Rod control made of high performance plastics

1121-U1-K

### Further parts see page

- Rods
  - inside (only flat rods possible) 3ZB-120
  - 3ZB-200
  - 3ZB-220
- Grounding device 3YA-720
- Cam 3YA-820

### Program 1125

- Escutcheon short 3B-120
- 3B-180

### Program 1225

- Escutcheon short 3G-120
- 3G-180

Info

1 Quarter turns



2 Rod controls



3 Locking systems



4 Hinges

5 Seals

6 Handles

7 Aluminium windows

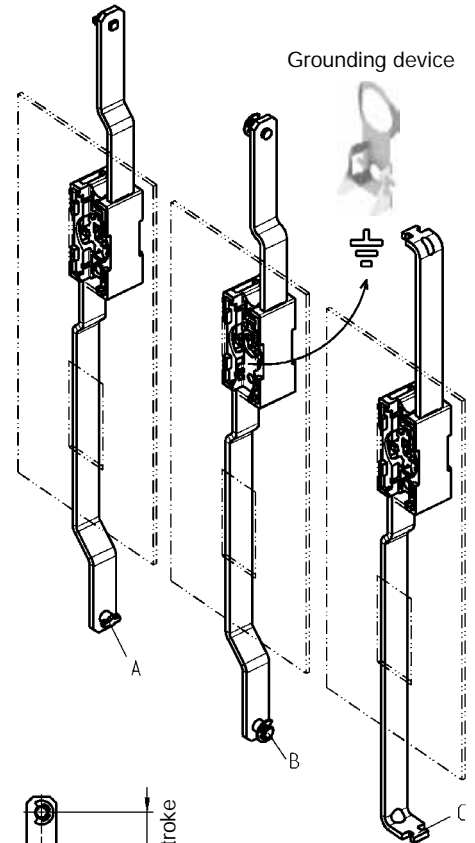
8 Miscellaneous

9 Special catalogues

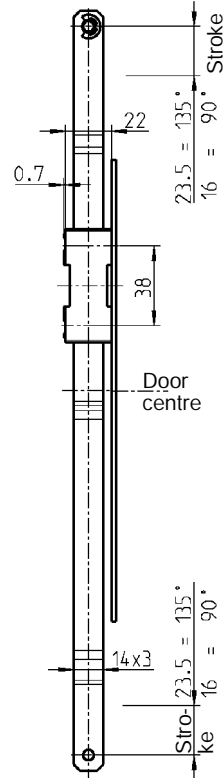
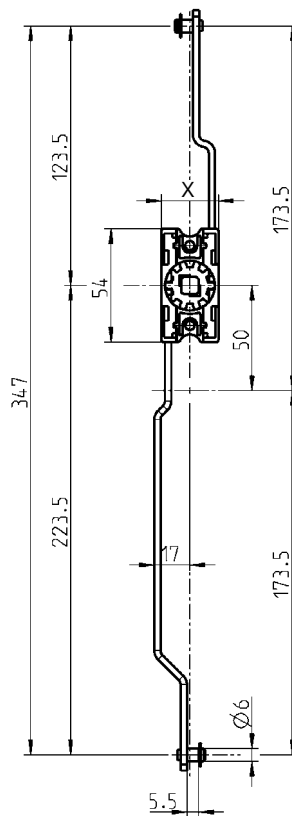
Index



Grounding device



X = 27 mm zinc die and polyamide  
29 mm AISI



#### Further parts see page

- Rods
  - outside 3ZA-120
  - inside 3ZB-120 (only flat rods possible)
  - 3ZB-200
  - 3ZB-220
- Grounding device 3YA-720
- Cam 3YA-820 (Swinghandle 1325) 3YA-840

- Program 1125**
- Escutcheon long 3B-120
  - 3B-180
  - Swinghandle 3B-220
  - 3B-420

- Program 1150**
- Swinghandle 1150 3C-160
  - 3C-720
  - 3C-750
  - 3C-320

- Program 1225**
- Escutcheon long 3G-120
  - 3G-180
  - Swinghandle 3G-220
  - 3G-420

- Program 1325**
- Escutcheon 3BA-120
  - Swinghandle 3BA-220

- Program 2225**
- Swinghandle 3J-120

- Program 3000**
- Swinghandle 3N-110
  - to 3N-130

#### Rod control material of choice

Rod control box	Rod	Version		
		A	B	C
Zinc die	m.s. zinc-plated	1121-U125-C	1121-U26-C	1121-U85-C
Polyamide GF black	AISI 304	-	1121-U178-C	-
Polyamide GF black	Aluminium	-	1121-U38-C	1121-U86-C
AISI 316	AISI 304	-	1121-U139	-

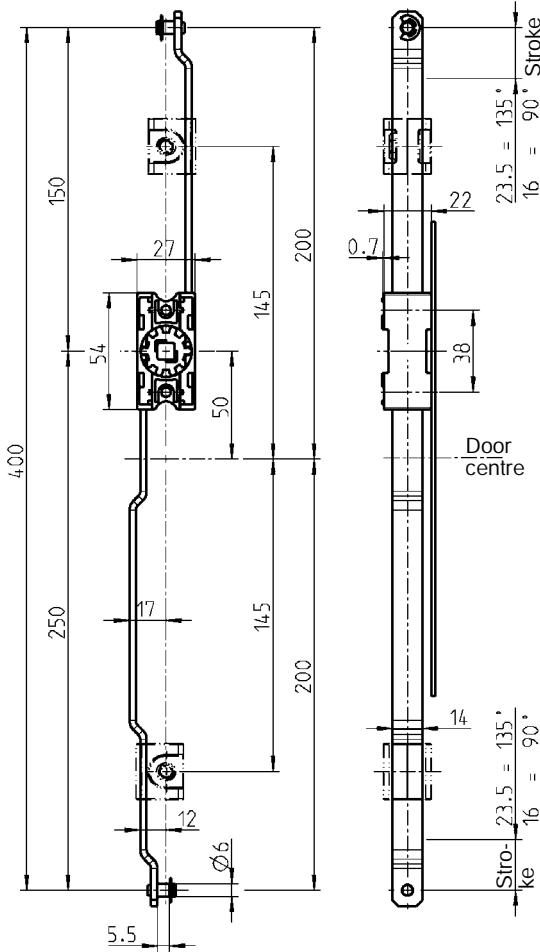
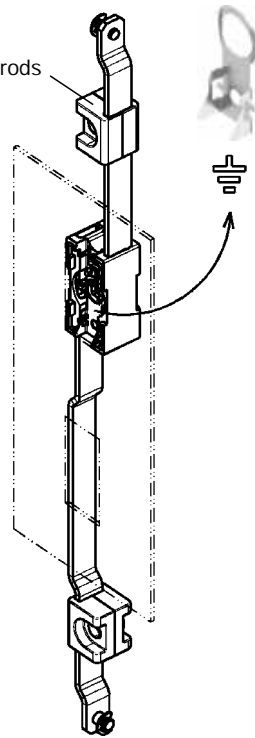
# Rod control for round rods

PROGRAM 1125, 1150, 1225, 1325, 2225, 3000



Grounding device

Rod guide for flat rods



**Further parts see page**

- Rods
  - inside 3ZB-120
- Rod guide 3ZC-120 to 3ZC-170
- Grounding device 3YA-720
- Cam 3YA-820
- (Swinghandle 1325) 3YA-840

**Program 1125**

- Escutcheon long 3B-120
- 3B-180
- Swinghandle 3B-220
- 3B-420

**Program 1150**

- Swinghandle 1150 3C-160
- 3C-720
- to 3C-750
- Swinghandle 1153 3C-320

**Program 1225**

- Escutcheon long 3G-120
- 3G-180
- Swinghandle 3G-220
- 3G-420

**Program 1325**

- Escutcheon 3BA-120
- Swinghandle 3BA-220

**Program 2225**

- Swinghandle 3J-120

**Program 3000**

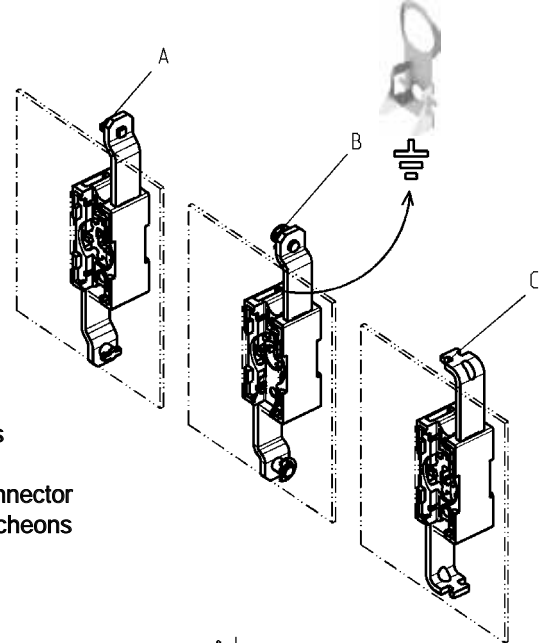
- Swinghandle 1150 3N-110
- to 3N-130

**Rod control material of choice**

Rod control box	Rod	
Zinc die	m.s. zinc-plated	1121-U29-C
Polyamide GF black	Aluminium	1121-U39-C



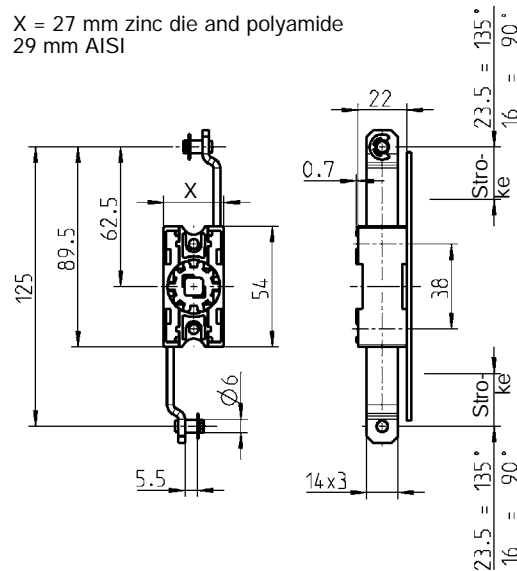
Grounding device



Rod control for short escutcheons

Version B in combination with connector (3YA-180) suitable for long escutcheons and swinghandles

X = 27 mm zinc die and polyamide  
29 mm AISI



Further parts see page

– Rods

inside

3ZB-120

3ZB-200

3ZB-220

3YA-180

3YA-720

3YA-820

– Connector

– Grounding device

– Cam

**Program 1125**

– Escutcheon short

3B-120

3B-180

**Program 1225**

– Escutcheon short

3G-120

3G-180

– Swinghandle,  
small version

3G-520

Rod control with two rods material of choice

Rod control box	Rod	Version		
		A	B	C
Zinc die	m.s. zinc-plated	1121-U124-C	1121-U1-C	1121-U153-C
Polyamide GF black	AISI 304	–	1121-U177-C	–
Polyamide GF black	Aluminium	–	1121-U37-C	1121-U154-C
AISI 316	AISI 304	–	1121-U138	–

Rod control with one rod

Rod control box	Rod	Version		
		A	B	C
Polyamide GF black	Aluminium	–	1121-U61-C	–

Rod control without rods, with swing stopper aluminium, turn 90°

Rod control box	Rod	Version		
		A	B	C
Polyamide GF black	–	–	1121-U60-C	–

**3YA-160** 09/14

(3A-380)

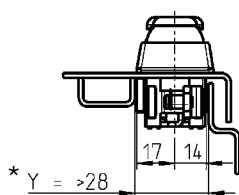
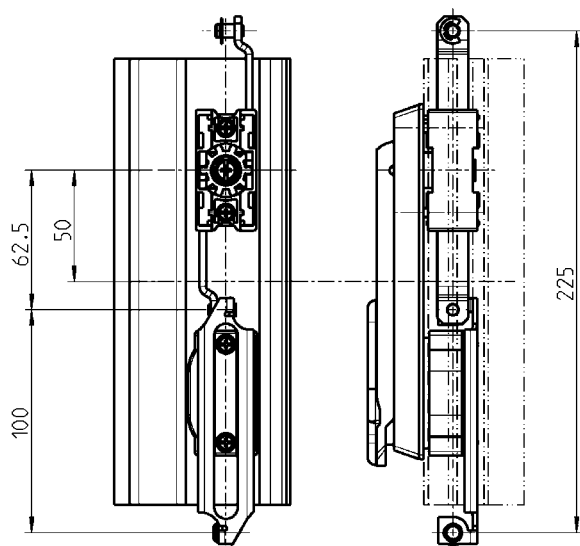
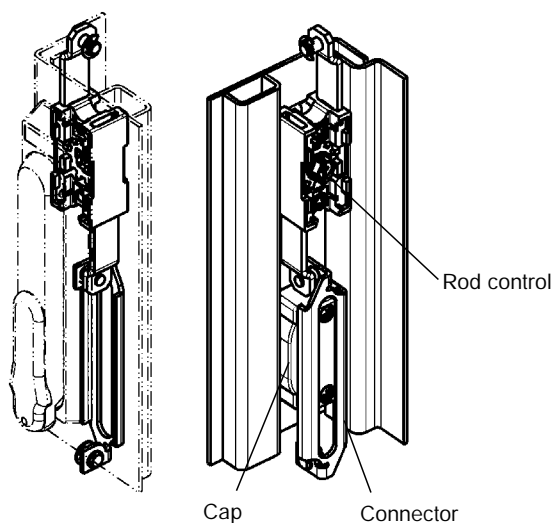
© EMKA Beschlagteile GmbH & Co. KG • 2021 • www.emka.com

Items printed in gray without stock



# Connector for slim design

## PROGRAM 1125, 1225, 1325



By using the connector in combination with a rod control (3YA-160) version B, less width is required. In case of mounting the long escutcheons or the swinghandles, each with cap, the lower and upper rod length is the same.

\* In case of a smaller dimension Y, cap with flat seal (without PUR foamed seal) has to be ordered separately on request.



### Further parts see page

– Rods

 inside

3ZB-120  
3ZB-200  
3ZB-220  
3YA-160

– Rod control (Version B)

**Program 1125**  
– Escutcheon long  
– Swinghandle

3B-120  
3B-180  
3B-220  
3B-420

**Program 1225**  
– Escutcheon long  
– Swinghandle

3G-120  
3G-180  
3G-220  
3G-420

**Program 1325**  
– Escutcheon  
– Swinghandle

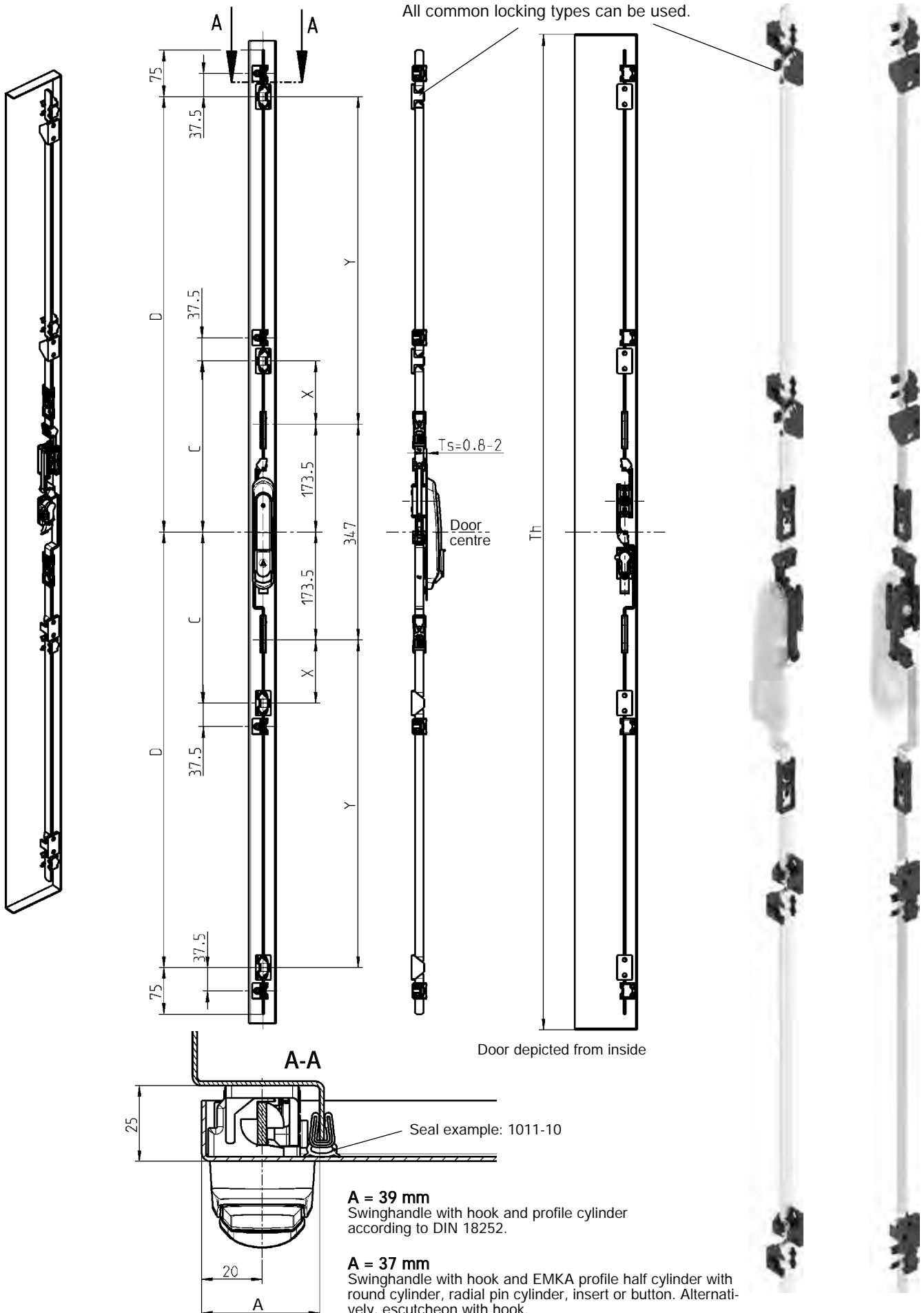
3BA-120  
3BA-220

Connector and rivet m.s. zinc-plated, circlip spring steel zinc-plated

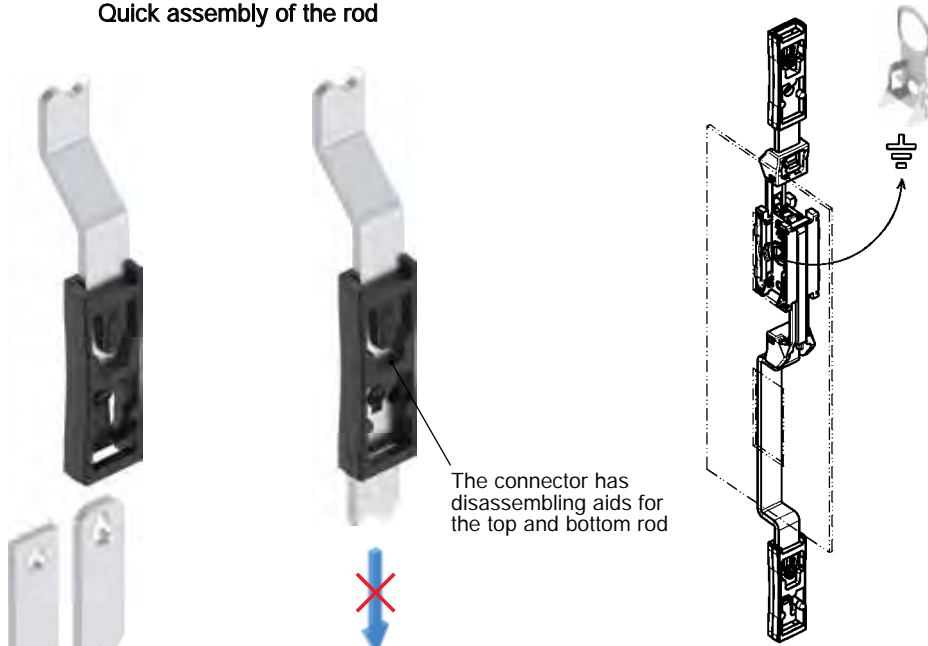
1121-U65

# Rod control for flat rods

PROGRAM 1125, 1225, 1325, 3000

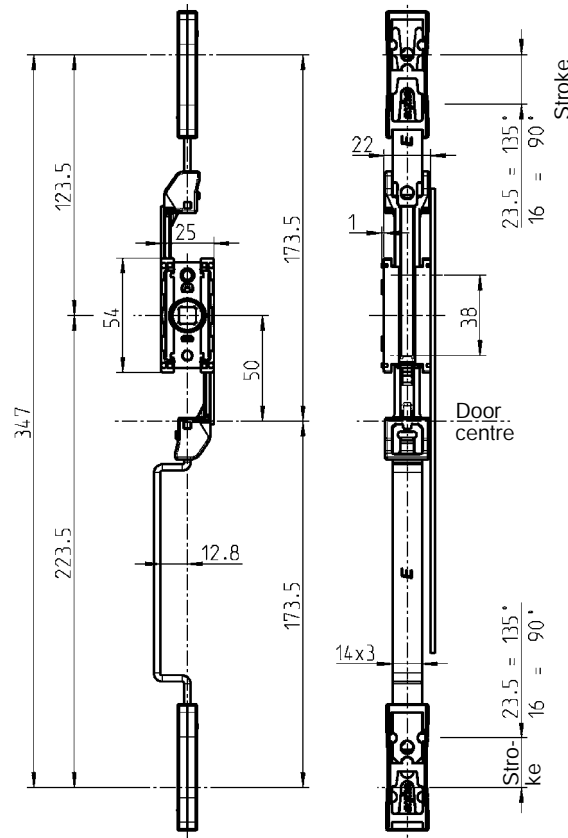


### Quick assembly of the rod



#### Product benefits

- Slim design
- Very compact design
- Lock length, rod control and stroke correspond to 1121-U26-K
- Saves space of up to 8 mm in the bending area
- Patented



This rod control can be used in combination with the swinghandles or the escutcheons with hook of the programs 1125, 1225 and 1325. Swinghandle and escutcheon with cover cannot be used.

Rod control made of high performance plastics, flat rod m.s. zinc-plated

1122-U26-K

Grounding device stainless steel

1122-117



**Note:**  
Can only be assembled in cut out version A

**Note:**  
Can only be assembled in certain cut outs. (similar to cut out 1125)

#### Further parts see page

– Rods

outside 3ZA-120

inside 3ZB-120  
(only flat rods possible)

3ZB-200

3ZB-220

#### Program 1125

– Escutcheon 1121 3B-120

– Escutcheon 1123 3B-180

– Swinghandle 3B-220

#### Program 1225

– Escutcheon 1221 3G-120

– Escutcheon 1223 3G-180

– Swinghandle 3G-220

#### Program 1325 ①

– Escutcheon 1321 3BA-120

– Swinghandle 3BA-220

#### Program 3000 ②

– Swinghandle 3N-110

to 3N-130

Info

1 Quarter turns



2 Rod controls

3 Locking systems

4 Hinges

5 Seals

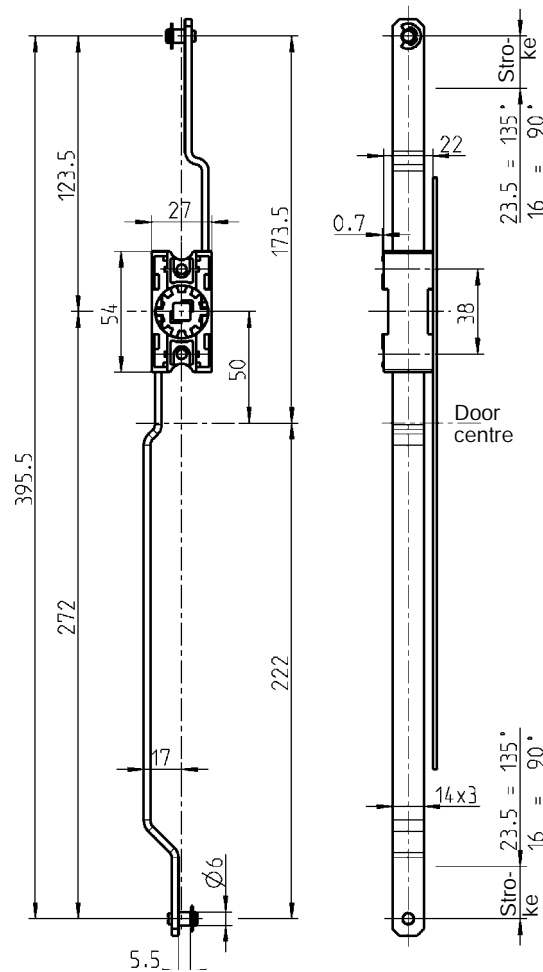
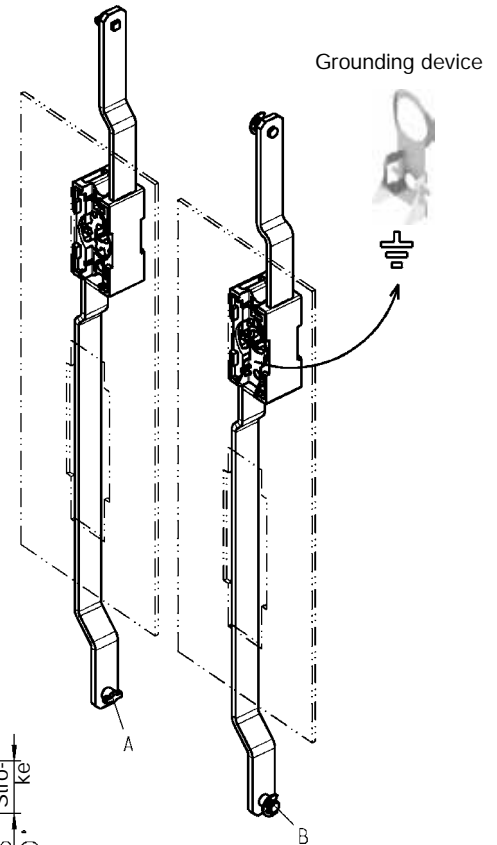
6 Handles

7 Aluminium windows

8 Miscellaneous

9 Special catalogues

Index



#### Further parts see page

– Rods

inside

3ZB-120

3ZB-200

3ZB-220

– Grounding device

3YA-720

– Cam

3YA-820

#### Program 1125

– Swinghandle

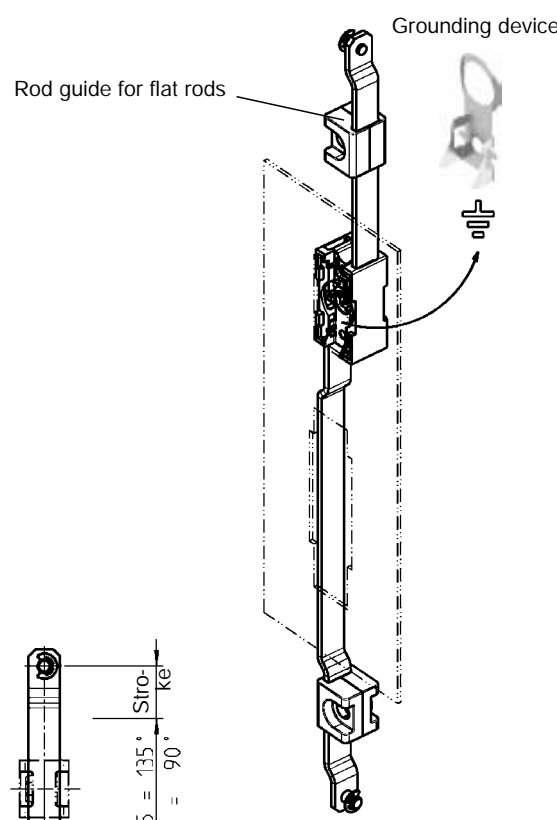
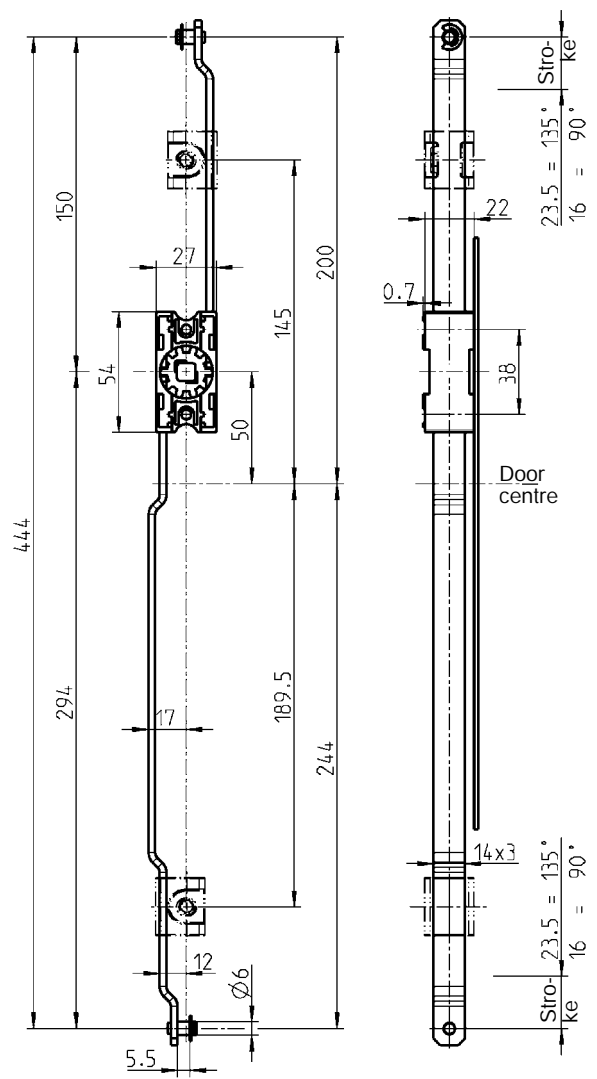
3B-320

#### Rod control material of choice

Rod control box	Rod	Version	
		A	B
Zinc die	m.s. zinc-plated	1121-U126-C	1121-U51-C
Polyamide GF black	Aluminium	–	1121-U53-C

# Rod control for flat rods


## PROGRAM 1125



Rod control zinc die, rods m.s. zinc-plated

1121-U52-C

Further parts see page

- Rods
  - Rod guide
  - Grounding device
  - Cam
- |   |        |            |
|---|--------|------------|
|  | inside | 3ZB-120    |
|   |        | 3ZC-120    |
|   |        | to 3ZC-170 |
|   |        | 3YA-720    |
|   |        | 3YA-820    |

Program 1125

- Swinghandle 3B-320

Info

1 Quarter turns



2 Rod controls

3 Locking systems

4 Hinges

5 Seals

6 Handles

7 Aluminium windows

8 Miscellaneous

9 Special catalogues

Index



#### Further parts see page

– Rods

outside

3ZA-120

3ZA-320

inside

3ZB-120

3ZB-200

3ZB-220

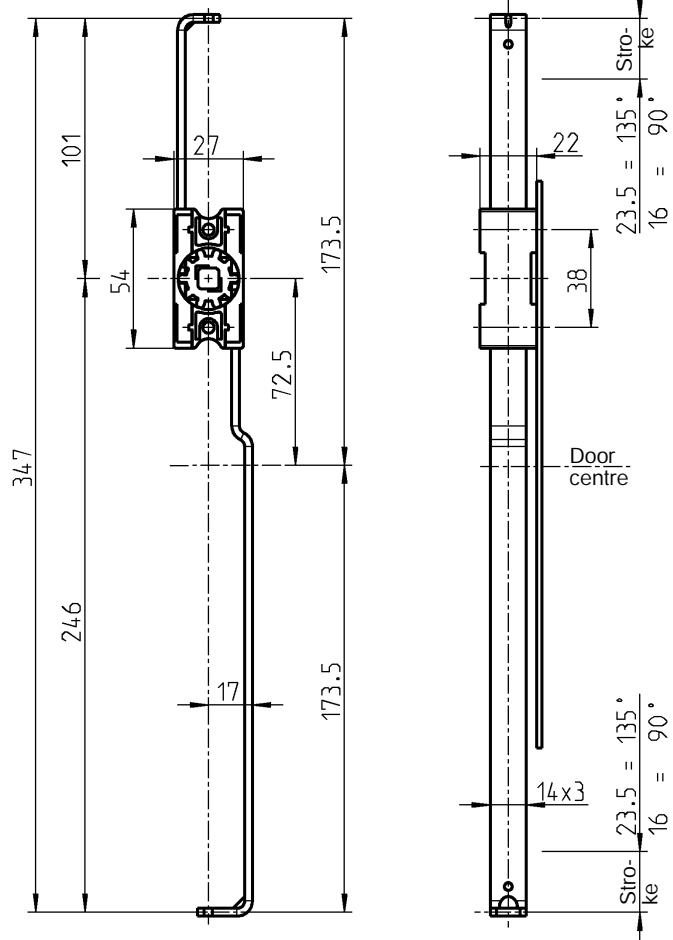
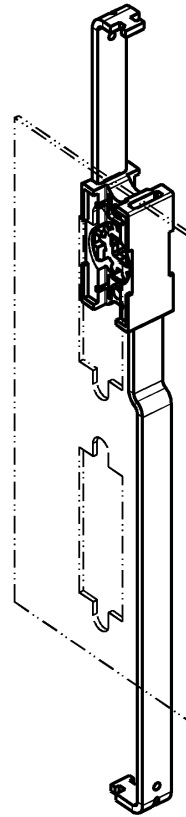
3YA-820

– Cam

#### Program 1150

– Swinghandle 1151

3C-440



#### Rod control material of choice

Zinc die, rods m.s. zinc-plated

2121-U28-C

Polyamide black, rods aluminium

2121-U29-C

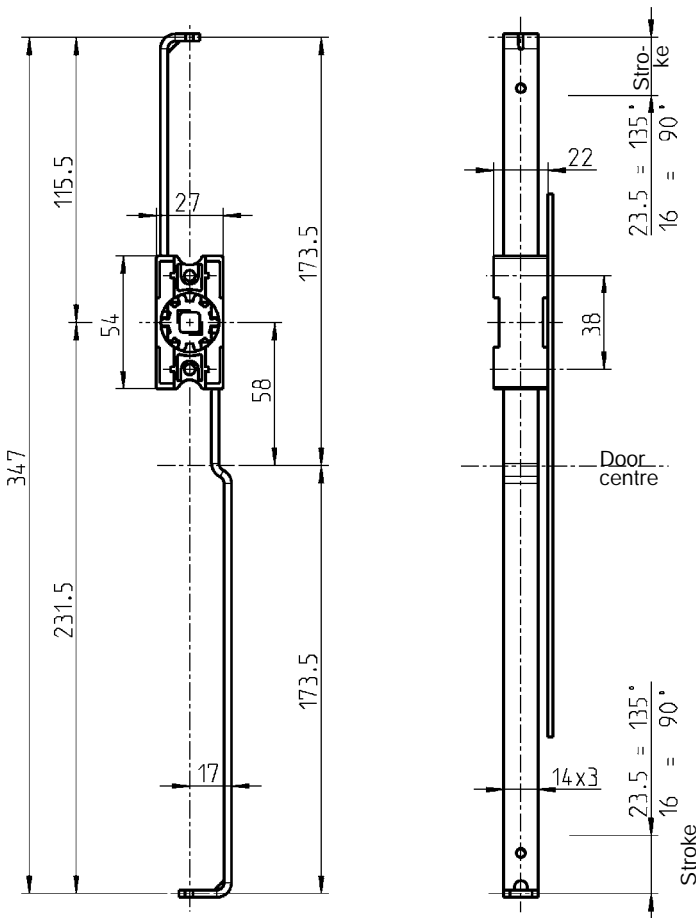
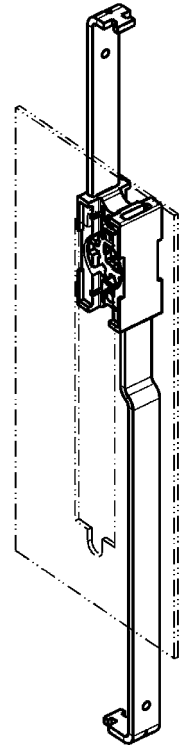







# Rod control for flat rods

## PROGRAM 2100



### Further parts see page

– Rods

 outside

 inside

– Cam

### Program 2100

– Escutcheon

– Swinghandle

3ZA-120  
3ZA-320  
3ZB-120  
3ZB-200  
3ZB-220  
3YA-820

3H-120  
3H-220  
3H-320  
to 3H-420

### Rod control material of choice

Zinc die, rod m.s. zinc-plated

2121-U26-C

Polyamide black, rods aluminium

2121-U27-C

Info

1 Quarter turns



2 Rod controls



3 Locking systems

4 Hinges

5 Seals



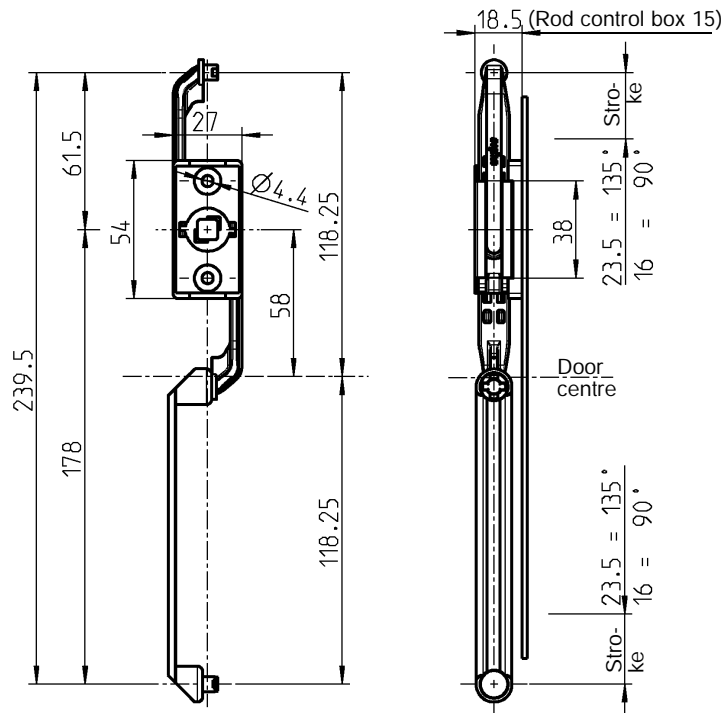
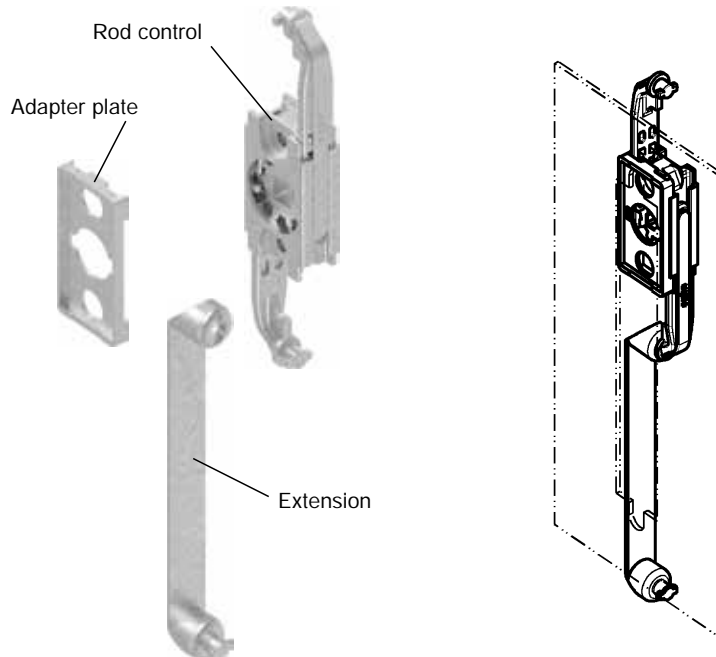
6 Handles

7 Aluminium windows

8 Miscellaneous

9 Special catalogues

Index



Further parts see page

– Rods

inside

3ZB-120

3ZB-200

3ZB-220

3YA-820

– Cam

**Program 2100**

– Escutcheon

3H-120

3H-220

– Swinghandle

3H-320

to 3H-420

Rod control zinc die

2200-U1-C

Adapter plate zinc die zinc-plated

2200-05

Extension zinc die zinc-plated

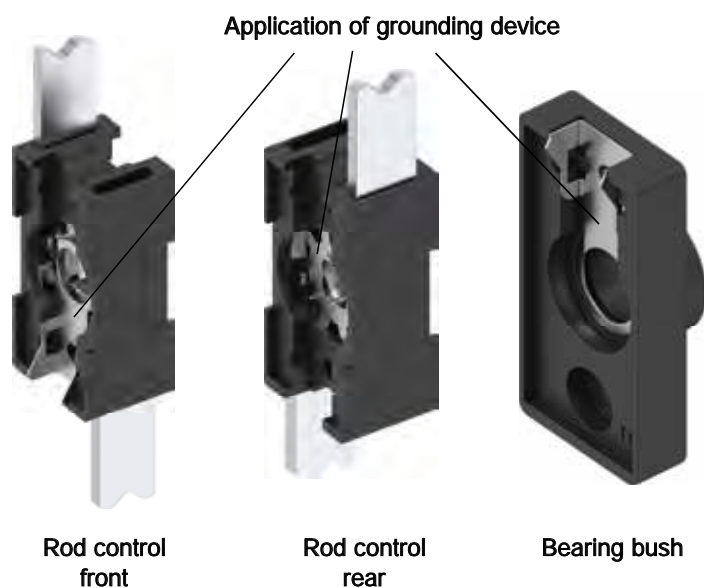
2200-06

**3YA-540** 09/14

(3D-340)

# Grounding device for rod control and bearing bush

PROGRAM 1125, 1150, 1225, 1325, 3000



- 1 Quarter turns
- 2 Rod controls
- 3 Locking systems
- 4 Hinges
- 5 Seals
- 6 Handles
- 7 Aluminium windows
- 8 Miscellaneous
- 9 Special catalogues



Earthing now also possible with plastic locks!



Assembly of grounding device



The grounding device passed the test according to DIN EN 60439-1/8.2.4.1! The resistance is max. 0.032 Ohm.

**Attention:**

The grounding device can be used regardless of the material of the rod control!

The grounding device will not change the assembly!

The grounding device can be assembled to the rod control or bearing bush without a tool.

The mechanical figures are unchanged!

Earthing will be achieved upon assembly of the escutcheon or the swinghandle!

**Further parts see page**

- Rod control                    3YA-110 to 3YA-240
- Bearing bush                3YB-120 (for Ts 1.0 to 2.0)

Grounding device stainless steel

1121-117

Info

1 Quarter turns

2 Rod controls

3 Locking systems

4 Hinges

5 Seals

6 Handles

7 Aluminium windows

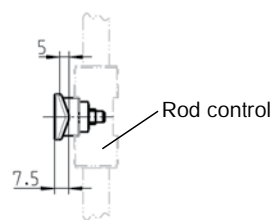
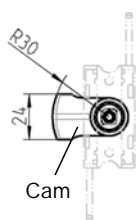
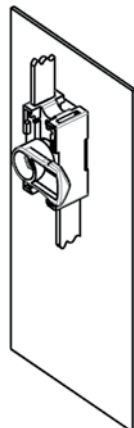
8 Miscellaneous

9 Special catalogues

Index



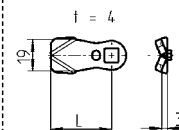
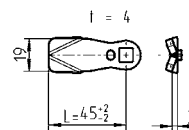
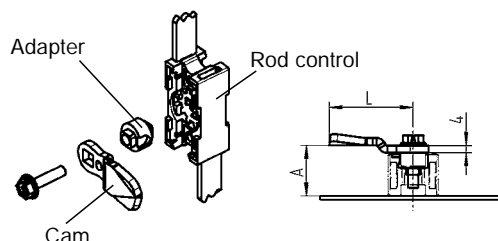
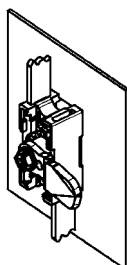
#### Zinc die cam



Cam zinc die zinc-plated, with screw m.s. zinc-plated

1121-U25

#### Steel cam (only usable with adapter)



#### Cam m.s. zinc-plated

A in mm		A	L	
23	1000-17	23	35	1000-5046
25	1000-16	25	35	1000-5161
27	1000-15	27	35	1000-5119
29	1000-14	33	35	1000-5164
30	Attention:	1000-27	Cams with other A- and L-dimensions on request. Minimum quantity: 2000 pieces	
31	These	1000-50		
33	H-dimensions	1000-13		
35	only apply with	1000-28		
37	a rod control	1000-26		
39		1000-12		
40		1000-11		
41		1000-51		
43		1000-52		
45		1000-25		
47		1000-53		
49		1000-54		
50		1000-10		
52		1000-55		
55		1000-56		

**Note:**  
The ramp increases the compression of the latch by 4 mm.

**Program 1325:**  
Works only with escutcheon.  
Combination with swinghandle see page 3YA-840.

**Further parts see page**  
– Ramp 1C-170  
– Rod control 3YA-110 to 3YA-540

Adapter zinc die, screw m.s. zinc-plated

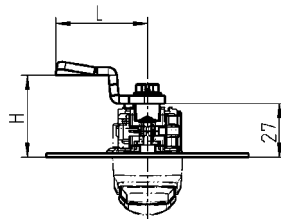
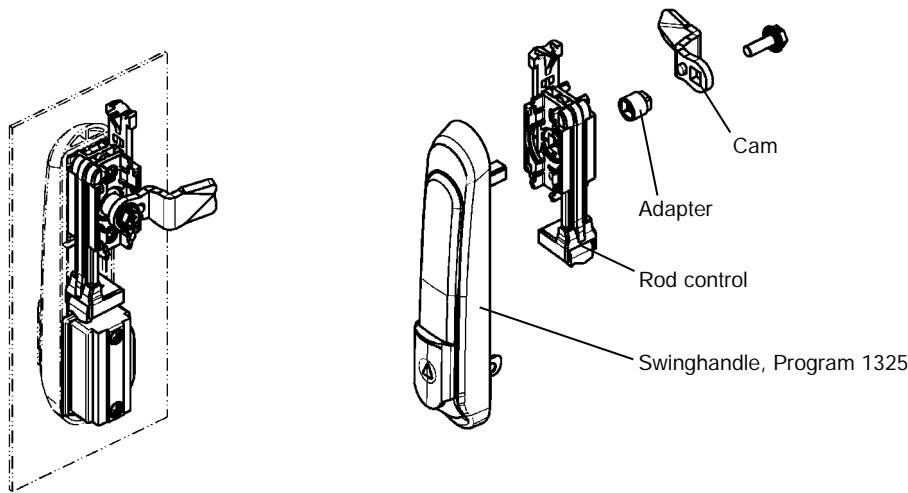
1121-U40

# Cam for rod control

## PROGRAM 1325, 2225



1 Quarter turns



2 Rod controls

3 Locking systems

4 Hinges

5 Seals

6 Handles

7 Aluminium windows

8 Miscellaneous

9 Special catalogues

Index



### Cam m.s. zinc-plated

H		H	L	
27		27	35	1000-5046
29		29	35	1000-5161
31		31	35	1000-5119
33		37	35	1000-5164
34	Attention:	1000-27		
35	These	1000-50		
37	H-dimensions	1000-13		
39	only apply with	1000-28		
41	a rod control	1000-26		
43		1000-12		
44		1000-11		
45		1000-51		
47		1000-52		
49		1000-25		
51		1000-53		
53		1000-54		
54		1000-10		
56		1000-55		
59		1000-56		

Cams with other A- and L-dimensions on request.  
Minimum quantity: 2000 pieces

### Note:

The ramp increases the compression of the latch by 4 mm.

### Program 1325:

Works only with swinghandle. Combination with escutcheon see page 3YA-820.

### Further parts see page

– Ramp	1C-170
– Rod control	3YA-110 3YA-120 3YA-140

### Program 1325

– Swinghandle 3BA-220

### Program 2225

– Swinghandle 3J-120

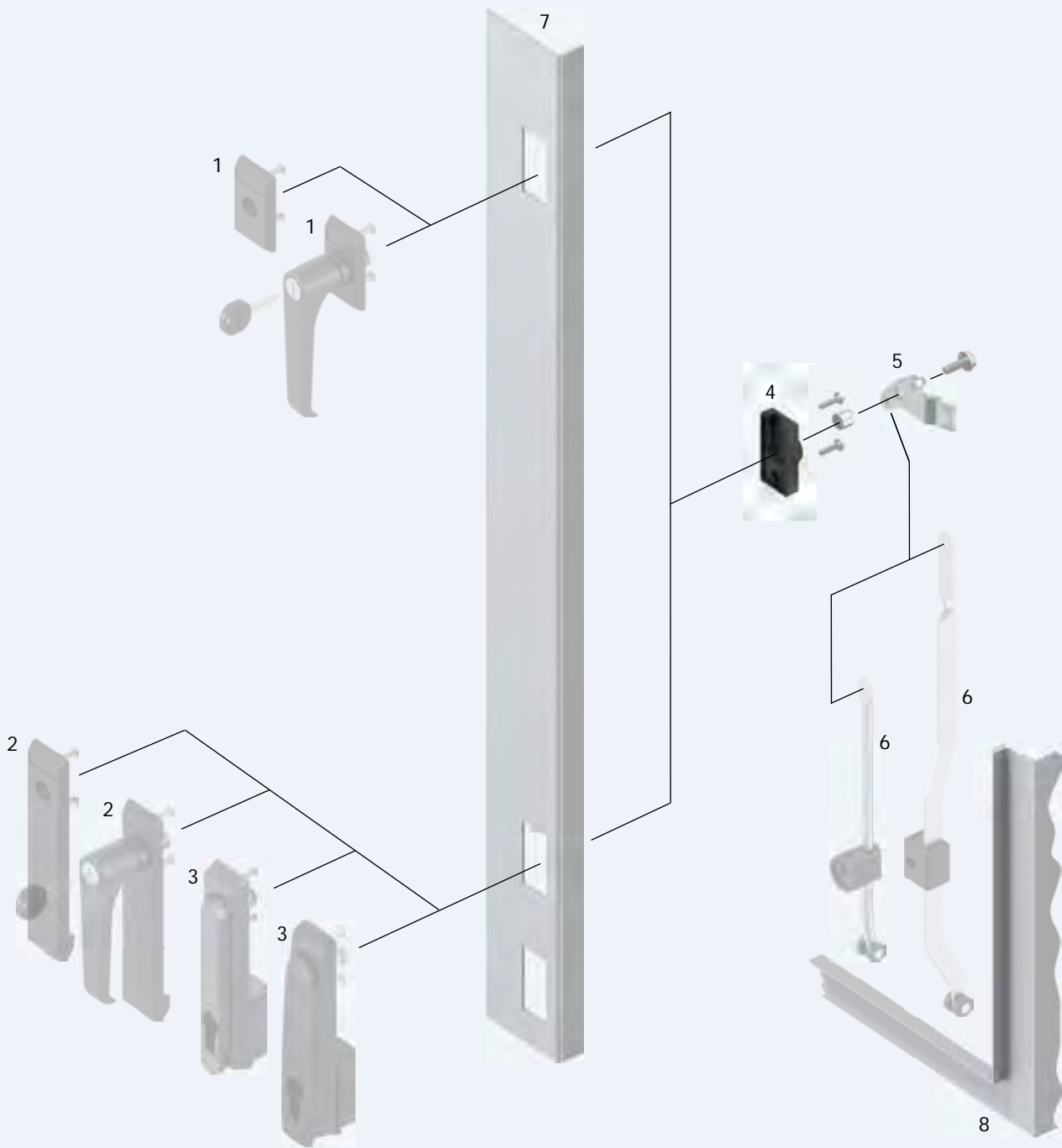
### Adapter AISI 316 L, screw m.s. zinc-plated

1121-U188



# Bearing bush with cam

## Program 1125, 1225, 1325, 2100, 3000



- 1 Escutcheon small
- 2 Escutcheon long
- 3 Swinghandle
- 4 Bearing bush
- 5 Cam
- 6 Rod (inside the sealing)
- 7 Door
- 8 Housing / Frame

Program 1125, 1225  
 Program 1125, 1225, 1325, 2100  
 Program 1125, 1225, 2100, 3000  
 3YB-120, 3YB-140  
 3YB-420, 3YB-440, 3YB-460



# 3YB-100

Info

1 Quarter turns

2 Rod controls

3 Locking systems

4 Hinges

5 Seals

6 Handles

7 Aluminium windows

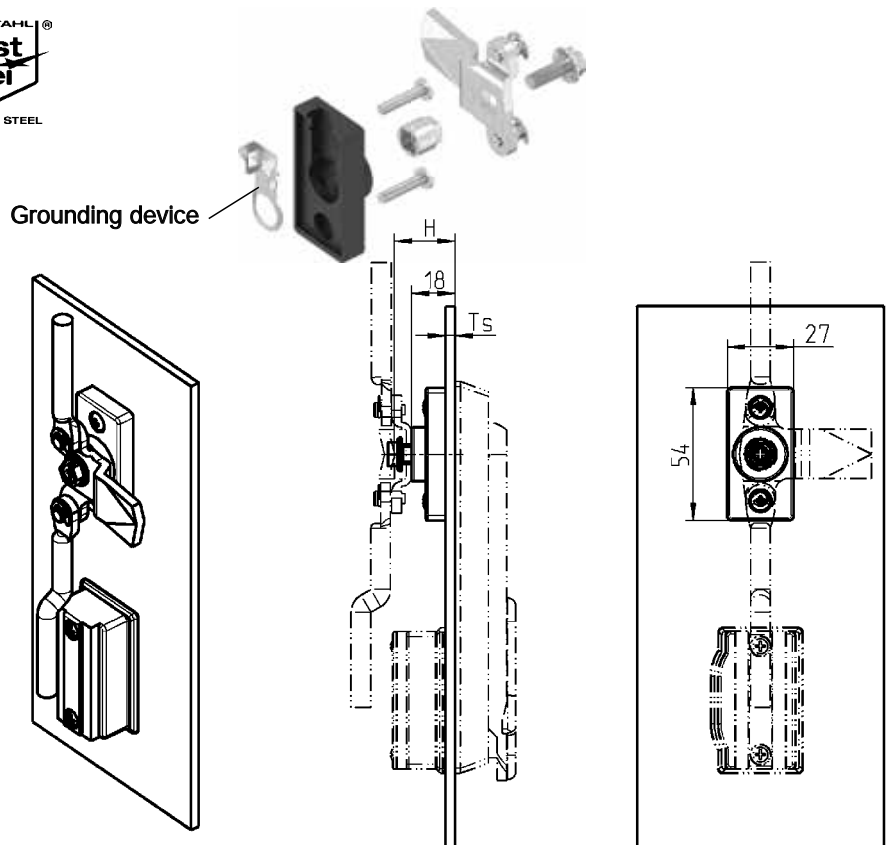
8 Miscellaneous

9 Special catalogues

Index



**AISI INOX**



Attention: Escutcheons and swinghandles assembled with rear cap can not be used with standard rods!  
Special rods on request!

**Note:**  
Grounding device can be used with bearing bushes for Ts = 1.0, 1.5 and 2.0! (not suitable for Program 3000)

Adapter and fixing material for Program 3000 see catalogue page 3N-120

**Further parts see page**

- Cam for bearing bush without stopper 3YB-420
- Cam for bearing bush with stopper 3YB-440
- Rod control for cam 3YB-460
- Grounding device (not suitable for Program 3000) 3YA-720

**Program 1125**

- Escutcheon 1121 3B-120
- Escutcheon 1123 3B-180
- Swinghandle 3B-220
- 3B-420

**Program 1225**

- Escutcheon 1221 3G-120
- Escutcheon 1223 3G-180
- Swinghandle 3G-220
- 3G-420
- 3G-520

**Program 1325**

- Escutcheon 1321 3BA-120

**Program 3000**

- Swinghandle 3N-120

### Bearing bush polyamide GF black

	for Ts	without stopper	Escutcheon LH Swinghandle RH with stopper	Escutcheon RH Swinghandle LH with stopper
	1.0	1125-81-010	1125-83-010	1125-84-010
	1.5	1125-81-015	1125-83-015	1125-84-015
	2.0	1125-81-020	1125-83-020	1125-84-020
	2.5	1125-81-025	1125-83-025	1125-84-025
	3.0	1125-81-030	1125-83-030	1125-84-030
	4.0	1125-81-040	1125-83-040	1125-84-040
	5.0	1125-81-050	1125-83-050	1125-84-050
	6.0	1125-81-060	1125-83-060	1125-84-060
	8.0	1125-81-080	on request	on request
	10.0	1125-81-100	on request	on request
	11.0	1125-81-110	on request	on request
	12.0	1125-81-120	-	-

### Bearing bush zinc die zinc-plated

	2.0	1125-81-020QA	-	-
--	-----	---------------	---	---

### Bearing bush AISI 316

	2.0	1125-81-020PH	-	-
--	-----	---------------	---	---

Order extra: (not suitable for program 3000, see note)  
Adapter AISI 316L, fixing material m.s. zinc-plated or stainless steel

Program 1125, 1225, 1325		Ts 1.0 – 3.0	Ts 4.0 – 6.0	Ts 8.0 – 12.0
m.s.	Swinghandle	1125-U284	1125-U284	1125-U285
m.s.	Escutcheon	1125-U286	1125-U287	1125-U288
AISI	Swinghandle	1125-U284-PH	-	-
AISI	Escutcheon	1125-U286-PH	-	-

**3YB-120** 11/15

(3B-120)

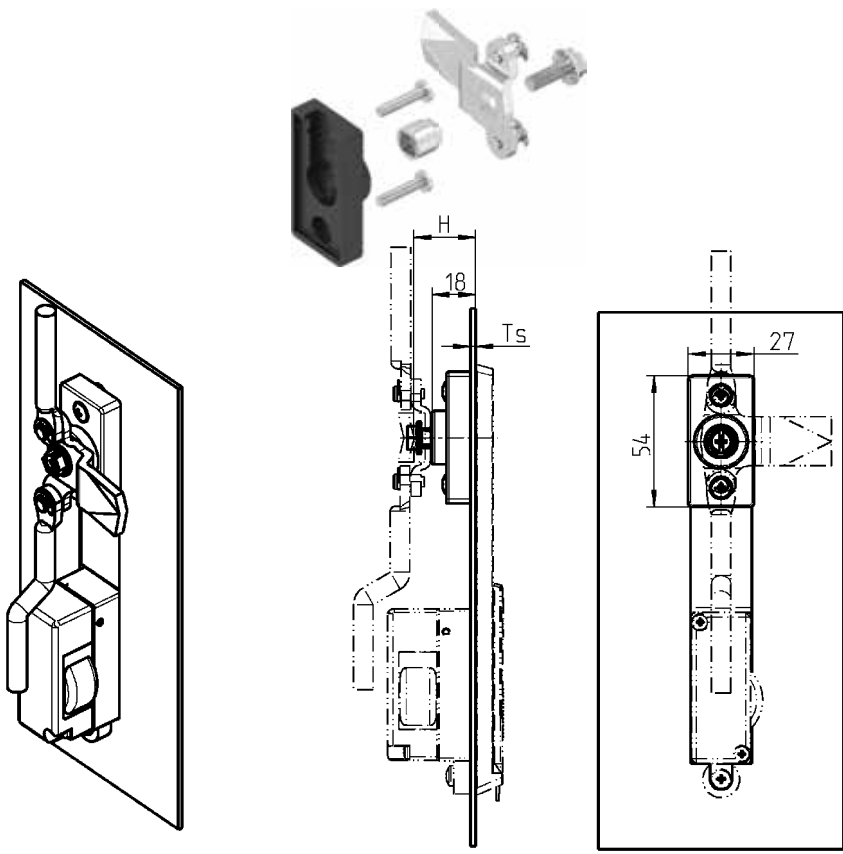
© EMKA Beschlagteile GmbH & Co. KG • 2021 • www.emka.com

Items printed in gray without stock



# Bearing bush Ts 1.0 – 12.0 mm

## PROGRAM 2100



Attention: Swinghandles can not be used with standard round rods!  
Special rods on request!



### Bearing bush polyamide GF black

for Ts	without stopper	Escutcheon LH Swinghandle RH with stopper	Escutcheon RH Swinghandle LH with stopper
1.0	1125-81-010	1125-83-010	1125-84-010
1.5	1125-81-015	1125-83-015	1125-84-015
2.0	1125-81-020	1125-83-020	1125-84-020
2.5	1125-81-025	1125-83-025	1125-84-025
3.0	1125-81-030	1125-83-030	1125-84-030
4.0	1125-81-040	1125-83-040	1125-84-040
5.0	1125-81-050	1125-83-050	1125-84-050
6.0	1125-81-060	1125-83-060	1125-84-060
8.0	1125-81-080	on request	on request
10.0	1125-81-100	on request	on request
11.0	1125-81-110	on request	on request
12.0	1125-81-120	-	-

#### Order extra:

Adapter AISI 316L, fixing material m.s. zinc-plated

for Ts 1.0 - 12.0

1125-U286

#### Further parts see page

- Cam for bearing bush without stopper 3YB-420
- Cam for bearing bush with stopper 3YB-440
- Rod control for cam 3YB-460

#### Program 2100

- Escutcheon 2150 3H-120
- Escutcheon 2153 3H-220
- Swinghandle 3H-320 to 3H-420

Info  
1 Quarter turns  
2 Rod controls  
3 Locking systems  
4 Hinges  
5 Seals  
6 Handles  
7 Aluminium windows  
8 Miscellaneous  
9 Special catalogues  
Index



### Further parts see page

- Ramp 1C-170
- Rod
- inside 3ZB-120
- Bearing bush 3YB-120  
3YB-140

### Version A



### Version B



**Note:**  
The ramp increases the compression of the latch by 4 mm.

- Further parts see page
- Ramp 1C-170

### Program 1125, 1225, 1325, 3000

- Rod
- inside 3ZB-420
- Bearing bush 3YB-120

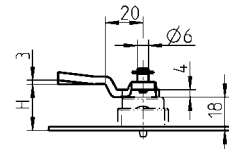
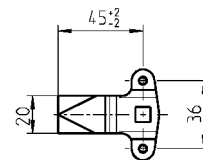
### Program 2100

- Rod
- inside 3ZB-820
- Bearing bush 3YB-140

### Cam with rod control

#### Stroke 18 mm

**Note:**  
The ramp increases the compression of the latch by 4 mm.



### Cam m.s. zinc-plated

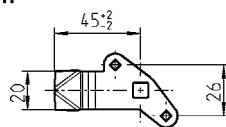
H		H		H	
18	1107-U119	30	1107-U124	42	1107-U131
20	1107-U120	32	1107-U125	44	1107-U132
22	1107-U5	34	1107-U126	45	1107-U133
24	1107-U121	35	1107-U127	47	1107-U134
25	1107-U122	36	1107-U128	50	1107-U135
26	1107-U123	38	1107-U129		
28	1107-U6	40	1107-U130		

### Rod control m.s. zinc-plated

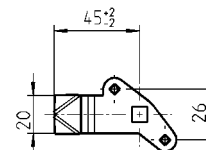
1107-U88

### Cam with rod control

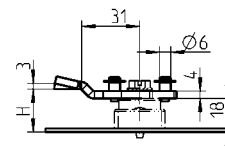
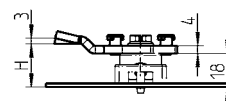
#### Stroke 26 mm



Version A: Cam with T rivets



Version B: Cam with round rivets



### Version A: Cam m.s. zinc-plated

H	Right	Left	H	Right	Left
23	1000-U544-23	1000-U545-23	31	1000-U544-31	1000-U545-31
25	1000-U544-25	1000-U545-25	35	1000-U544-35	1000-U545-35
27	1000-U544-27	1000-U545-27	38	1000-U544-38	1000-U545-38
29	1000-U544-29	1000-U545-29			

### Rod control m.s. zinc-plated

1000-U632

### Version B: Cam m.s. zinc-plated

H	Right	Left	H	Right	Left
23	1000-U661-23	1000-U662-23	31	1000-U661-31	1000-U662-31
25	1000-U661-25	1000-U662-25	35	1000-U661-35	1000-U662-35
27	1000-U661-27	1000-U662-27	38	1000-U661-38	1000-U662-38
29	1000-U661-29	1000-U662-29	40	1000-U661-40	1000-U662-40

### Rod control m.s. zinc-plated

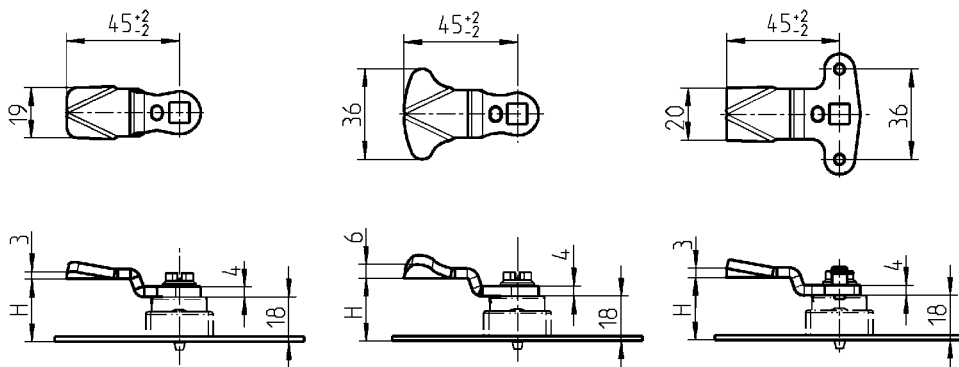
1000-U663

**3YB-420** 01/13  
(3B-220; 3E-220)

# Cams for bearing bush with stopper

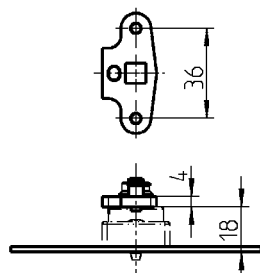
## PROGRAM 1125, 1225, 1325, 2100, 3000

Cam with rod control  
Stroke 18 mm



Cam m.s. zinc-plated		Cam m.s. zinc-plated		Cam m.s. zinc-plated	
H		H		H	
18	1000-17	18	1000-293	18	1000-U26
20	1000-16	20	1000-294	20	1000-U27
22	1000-15	22	1000-295	22	1000-U28
24	1000-14	24	1000-296	24	1000-U29
25	1000-27	25	1000-297	25	1000-U30
26	1000-50	26	1000-298	26	1000-U31
28	1000-13	28	1000-299	28	1000-U32
30	1000-28	30	1000-300	30	1000-U33
32	1000-26	32	1000-301	32	1000-U34
34	1000-12	34	1000-302	34	1000-U35
35	1000-11	35	1000-303	35	1000-U36
36	1000-51	36	1000-304	36	1000-U37
38	1000-52	38	1000-305	38	1000-U38
40	1000-25	40	1000-306	40	1000-U39
42	1000-53	42	1000-307	42	1000-U40
44	1000-54	44	1000-308	44	1000-U41
45	1000-10	45	1000-309	45	1000-U42
47	1000-55	47	1000-310	47	1000-U43
50	1000-56	50	1000-311	50	1000-U44

Cam with rod control  
Stroke 18 mm



Rod control m.s. zinc-plated

1000-U167



**Note:**  
The ramp increases the compression of the latch by 4 mm.

Further parts see page

- Ramp 1C-170
- Rod
- inside 3ZB-120
- Bearing bush 3YB-120  
3YB-140

Info

1 Quarter turns

2 Rod controls

3 Locking systems

4 Hinges

5 Seals

6 Handles

7 Aluminium windows

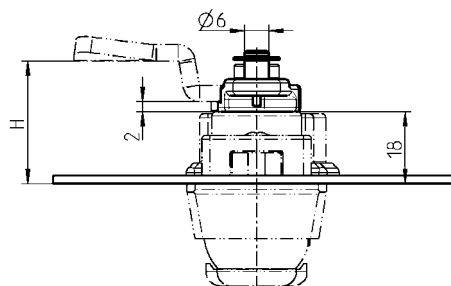
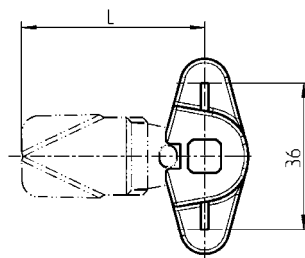
8 Miscellaneous

9 Special catalogues

Index



Stroke 18 mm



**Attention:**


By using the rod control the H-dimension of the cam increases by 2 mm

**Note:**

The ramp increases the compression of the latch by 4 mm.

**Further parts see page**

- Cam (GH = 18) 1C-120
- Ramp 1C-170

- Rod
-  inside 3ZB-120
- Bearing bush 3YB-120
- 3YB-140

Rod control zinc die zinc-plated, circlip m.s. zinc-plated

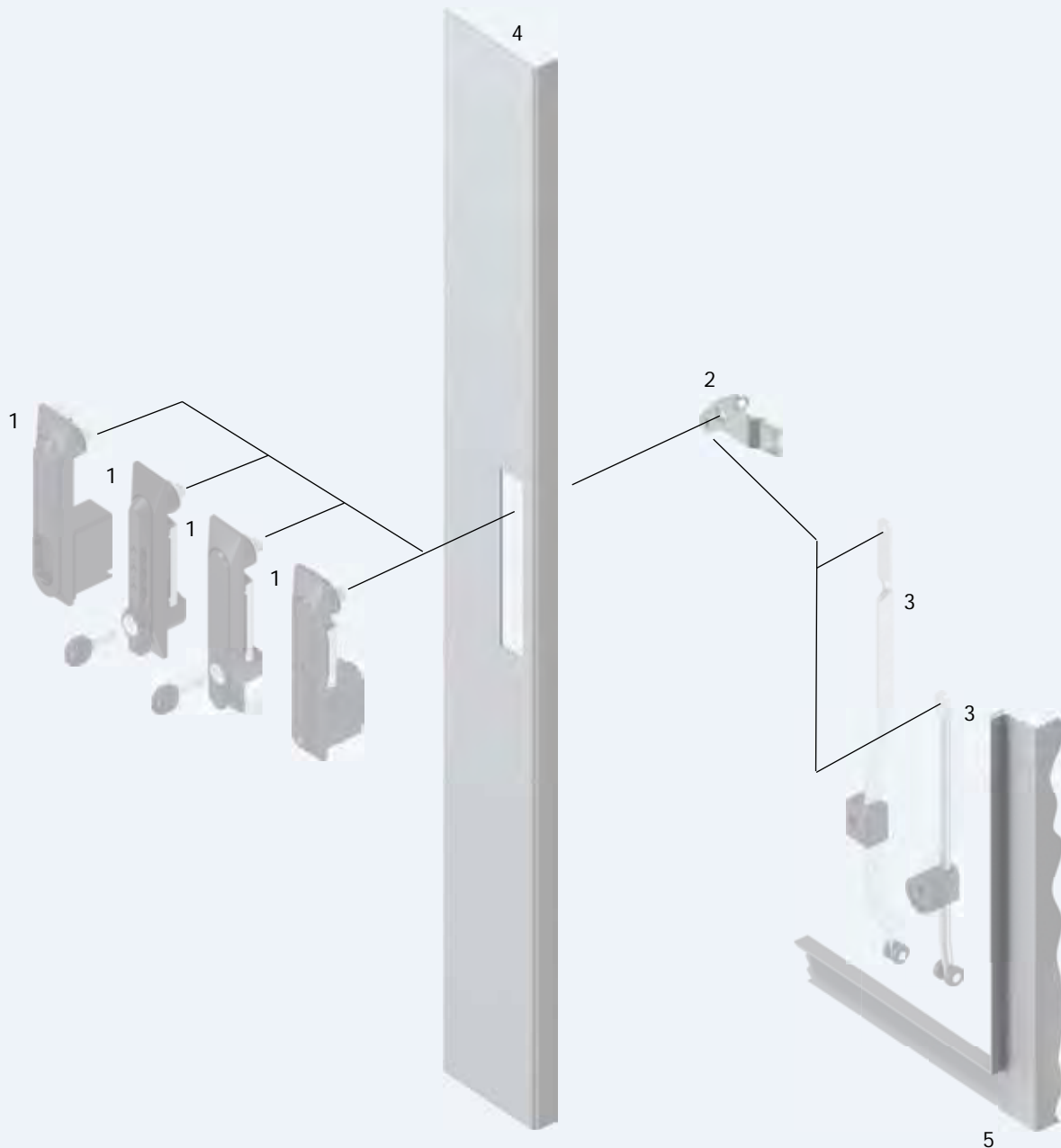
1107-U246

Rod control AISI 316

1107-U246-PH

# Cam

## Program 1091, 1107, 1125, 1150, 1180, 1225, 1317, 1325, 2225



- 1 Swinghandle
- 2 Cam
- 3 Rod (inside the sealing)
- 4 Door
- 5 Housing / Frame

Program 1107, 1125, 1150, 1180, 1225, 1317, 1325, 2225  
3YC-120, 3YC-140, 3YC-180



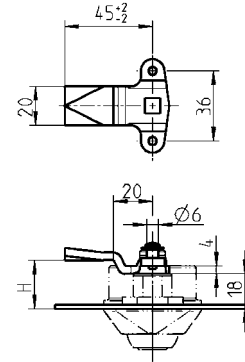
# 3YC-100

Info  
1 Quarter turns  
2 Rod controls  
3 Locking systems  
4 Hinges  
5 Seals  
6 Handles  
7 Aluminium windows  
8 Miscellaneous  
9 Special catalogues  
Index



**Cam with rod control**  
**Stroke 18 mm**

Attention:  
Not suitable for Program 1150 and 2225!



Further parts see page  
– Ramp 1C-170

**Program 1107, 1317**  
– Rod

inside from 3ZB-120  
– Swinghandle 1107 3A-120 to 3A-420  
– Swinghandle 1317 3AB-120 to 3AB-160

**Program 1125**  
– Rod on request  
– Swinghandle (Version B) 3B-320

Further parts see page  
– Ramp 1C-170

**Program 1107, 1317**  
– Rod

inside 3ZB-320  
– Swinghandle 1107 3A-120 to 3A-420  
– Swinghandle 1317 3AB-120 to 3AB-160

**Program 1125**  
– Rod  
 inside 3ZB-440  
– Swinghandle (Version B) 3B-320

**Program 1150**  
– Rod

inside for swinghandle (3C-140, 3C-620 to 3C-750) 3ZB-520

inside for swinghandle (3C-160, 3C-220, 3C-260 to 3C-320) 3ZB-540

– Swinghandle 3C-140 to 3C-320 3C-620 to 3C-750

**Program 1180**  
– Rod

inside 3ZB-620  
– Swinghandle 1185 3E-520 3E-540

**Program 1325**  
– Rod

inside 3ZB-420  
– Swinghandle 3BA-220

**Program 2225**  
– Rod

inside 3ZB-540  
– Swinghandle 3J-120

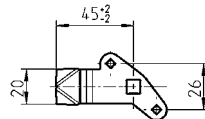
### Cam m.s. zinc-plated

H		H		H		H	
4	1107-U112	18	1107-U119	30	1107-U124	42	1107-U131
6	1107-U113	20	1107-U120	32	1107-U125	44	1107-U132
8	1107-U114	22	1107-U5	34	1107-U126	45	1107-U133
10	1107-U115	24	1107-U121	35	1107-U127	47	1107-U134
13	1107-U116	25	1107-U122	36	1107-U128	50	1107-U135
14	1107-U117	26	1107-U123	38	1107-U129		
16	1107-U118	28	1107-U6	40	1107-U130		

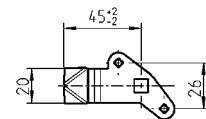
### Rod control m.s. zinc-plated

1107-U88

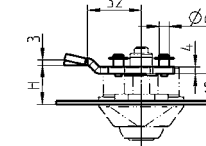
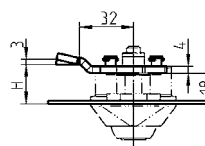
**Cam with rod control**  
**Stroke 26 mm**



Version A: Cam with T rivets



Version B: Cam with round rivets



### Version A: Cam m.s. zinc-plated

H	Right	Left	H	Right	Left
23	1000-U544-23	1000-U545-23	31	1000-U544-31	1000-U545-31
25	1000-U544-25	1000-U545-25	35	1000-U544-35	1000-U545-35
27	1000-U544-27	1000-U545-27	38	1000-U544-38	1000-U545-38
29	1000-U544-29	1000-U545-29			

### Rod control m.s. zinc-plated

1000-U632

### Version B: Cam m.s. zinc-plated

H	Right	Left	H	Right	Left
23	1000-U661-23	1000-U662-23	31	1000-U661-31	1000-U662-31
25	1000-U661-25	1000-U662-25	35	1000-U661-35	1000-U662-35
27	1000-U661-27	1000-U662-27	38	1000-U661-38	1000-U662-38
29	1000-U661-29	1000-U662-29	40	1000-U661-40	1000-U662-40

### Rod control m.s. zinc-plated

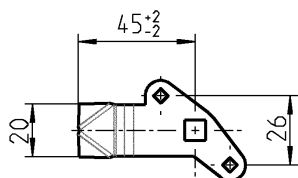
1000-U663

# Cam

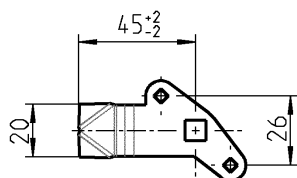
## PROGRAM 1125, 1150, 1180, 1225

Cam with rod control  
Stroke 26 mm

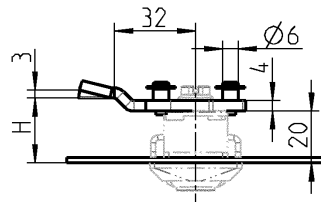
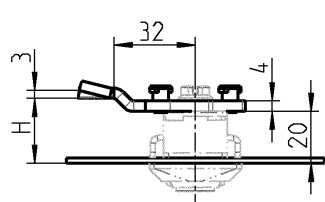
Program 1150, 1180



Version A: Cam with T rivets



Version B: Cam with round rivets



### Version A: Cam m.s. zinc-plated

H	Right	Left	H	Right	Left
25	1000-U544-23	1000-U545-23	33	1000-U544-31	1000-U545-31
27	1000-U544-25	1000-U545-25	37	1000-U544-35	1000-U545-35
29	1000-U544-27	1000-U545-27	40	1000-U544-38	1000-U545-38
31	1000-U544-29	1000-U545-29			

### Rod control m.s. zinc-plated

1000-U632

### Version B: Cam m.s. zinc-plated

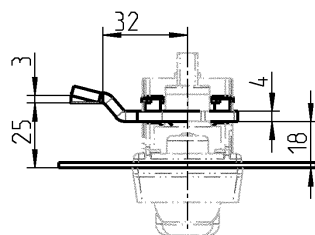
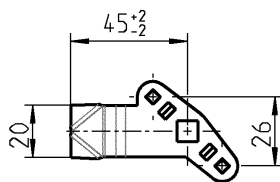
H	Right	Left	H	Right	Left
25	1000-U661-23	1000-U662-23	33	1000-U661-31	1000-U662-31
27	1000-U661-25	1000-U662-25	37	1000-U661-35	1000-U662-35
29	1000-U661-27	1000-U662-27	40	1000-U661-38	1000-U662-38
31	1000-U661-29	1000-U662-29	42	1000-U661-40	1000-U662-40

### Rod control m.s. zinc-plated

1000-U663

Cam with rod control  
Stroke 26 mm

Program 1125, 1225



### Version B: Cam m.s. zinc-plated

H	Right	Left
25	1107-U242-25	1107-U243-25



Further parts see page  
– Ramp

1C-170

### Program 1150

– Rod

inside for swinghandle 1150 (3C-120) 3ZB-520

inside for swinghandle 1151 (3C-420) 3ZB-540

– Swinghandle 1150 3C-120

– Swinghandle 1151 3C-420

### Program 1180

– Rod

inside 3ZB-620

– Swinghandle 1180 3E-320



Further parts see page  
– Ramp

1C-170

### Program 1125

– Rod

inside 3ZB-440

– Swinghandle (Version C) 3B-320

### Program 1225

– Rod

inside 3ZB-720

– Swinghandle 3G-320

## Rod control for cam

PROGRAM 1091, 1107, 1125, 1150, 1317, 1325

Info

1 Quarter turns

2 Rod controls

3 Locking systems

4 Hinges

5 Seals

6 Handles

7 Aluminium windows

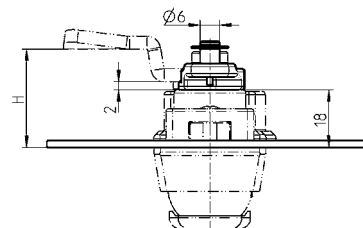
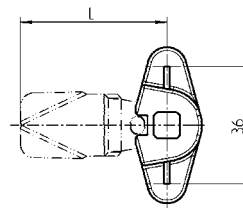
8 Miscellaneous

9 Special catalogues

Index



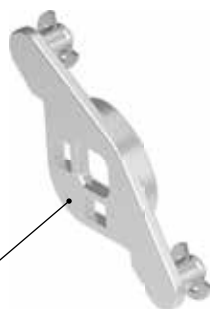
Stroke 18 mm



**Attention:**  
By using the rod control the H-dimension of the cam increases by 2 mm

**Note:**

Connecting rod for rod control combined with swinghandle 1125 double cylinder version B and swinghandle 1154 with RC2 on request only!



**Attention:**  
Only rod with eye can be used!

**Further parts see page**

- Cam (GH = 18) 1C-120
- Ramp 1C-170
- Rod inside 3ZB-120 (see note)

**Program 1107, 1317**

- Swinghandle 1107 3A-120 to 3A-220
- Swinghandle 1317 3AB-120 to 3AB-160

**Program 1125, 1325**

- Swinghandle 1125 (version B) 3B-320
- Swinghandle 1325 3BA-220

**Program 1150**

- Swinghandle 1154 3C-220
- Swinghandle 1154 with RC2 3C-260

Rod control zinc die zinc-plated, circlip m.s. zinc-plated

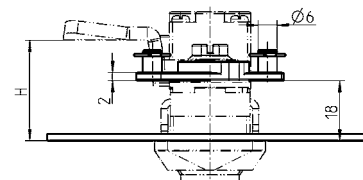
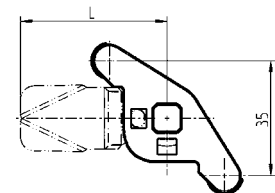
1107-U246

Rod control AISI 316

1107-U246-PH



Stroke 35 mm



**Note:**

Connecting rod for rod control combined with swinghandle 1125 double cylinder version B and swinghandle 1154 with RC2 on request only!

Rod control AISI 316

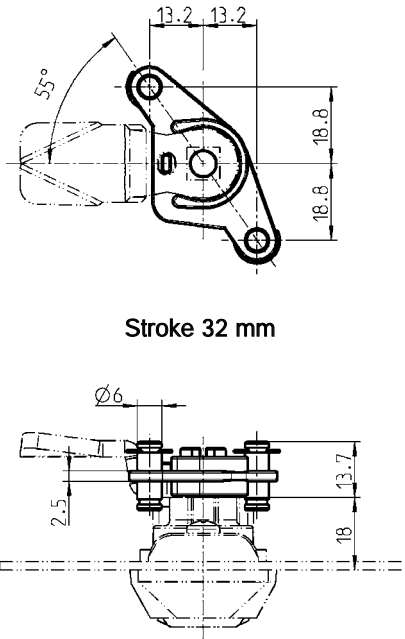
1150-U57



# Rod control for cam

## PROGRAM 1150, 1325, 2225

Only cams with stopper made of steel and stainless steel can be used.



Stroke 32 mm

Swinghandle 1325 with adapter for cam

Swinghandle 1150 with universal dish



Rod control zinc die zinc-plated; circlip m.s. zinc-plated;  
with additional locking screw m.s. zinc-plated

for swinghandle 1150 with universal dish

1150-U63-01

for swinghandle 1325 or 2225 with adapter for cam

1150-U63-02



### Attention:

Only cams with stopper made of steel and stainless steel can be used.

### Note:

When using the rod control for cam, the screw-in depth of the screw is reduced by 2.5 mm

### Further parts see page

- Cam (GH = 18) 1C-120
- Ramp 1C-170
- Rod for 1150

inside 3ZB-520

**Attention:** The rod length is reduced by 5.8 mm, as the stroke is 32 mm

- Rod for 1325

inside 3ZB-420

**Attention:** The rod length is reduced by 5.8 mm, as the stroke is 32 mm

- Rod for 2225

inside 3ZB-540

**Attention:** The rod length is reduced by 5.8 mm, as the stroke is 32 mm

### Program 1150 with universal dish

- Swinghandle 1150 3C-720 to 3A-780

### Program 1325 with adapter for cam

- Swinghandle 1325 3BA-220

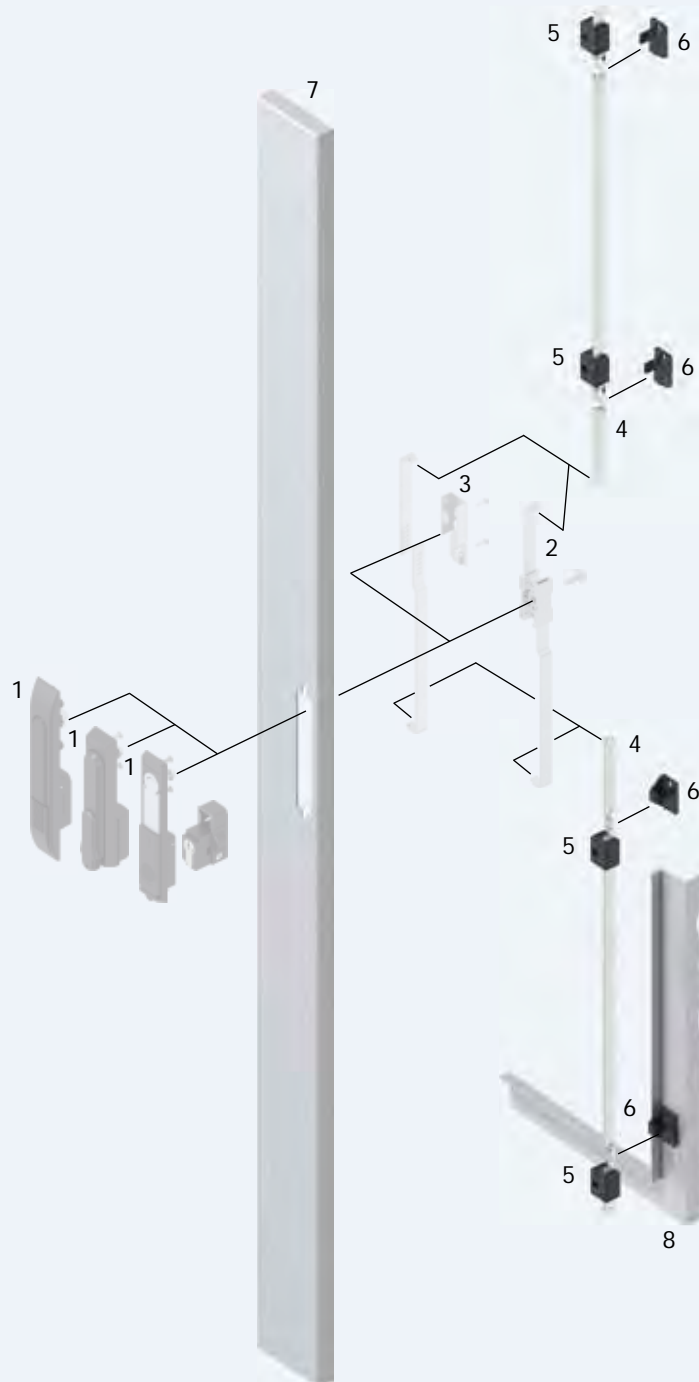
### Program 2225 with adapter for cam

- Swinghandle 2225 3J-120



# Rod and lock rod outside the sealing

## Program 1125, 1150, 1160, 1180, 1190, 1225, 1325, 1390, 2100, 2400, 3000



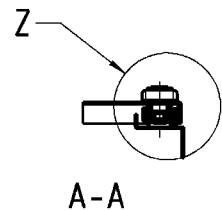
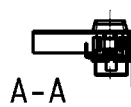
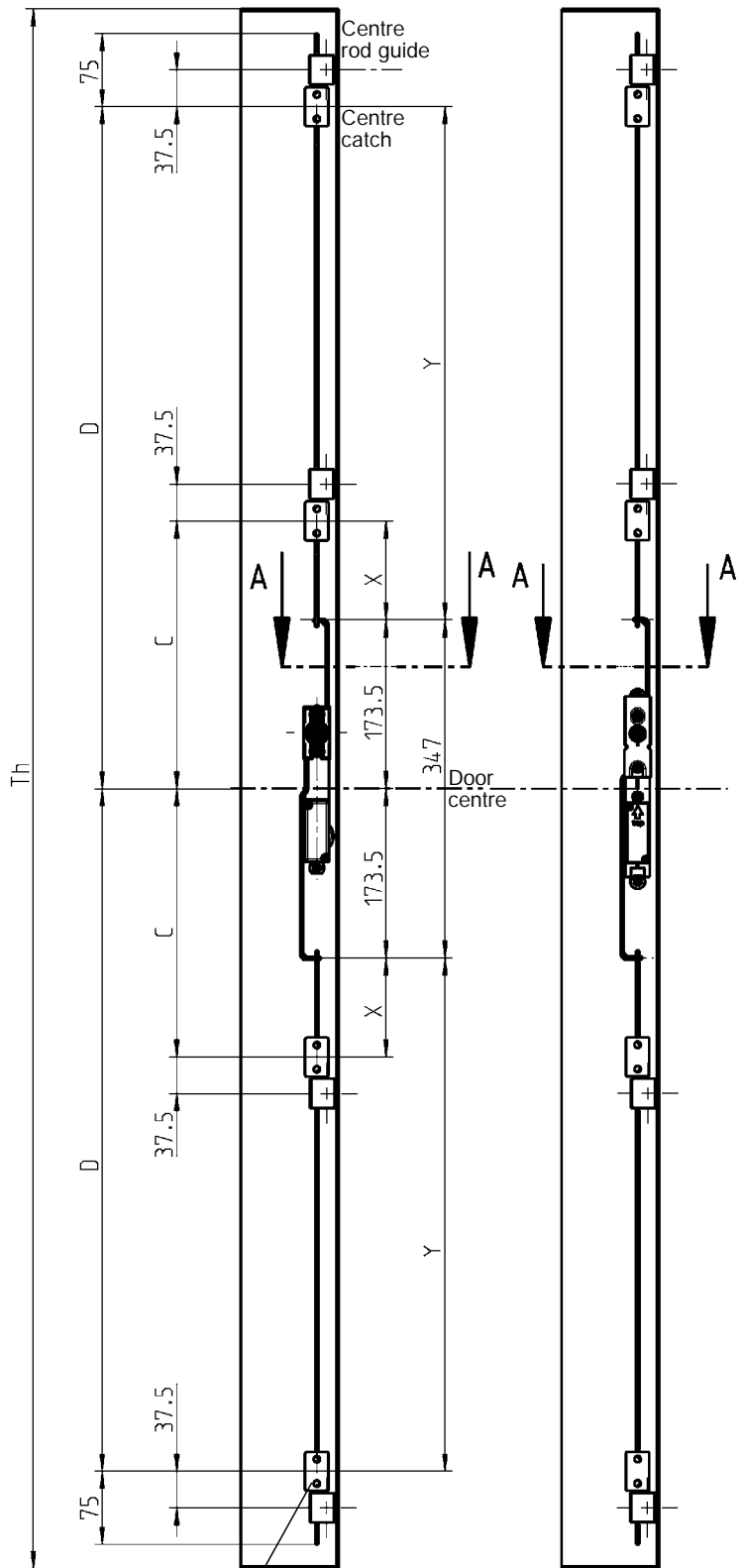
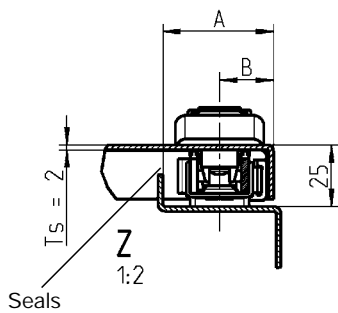
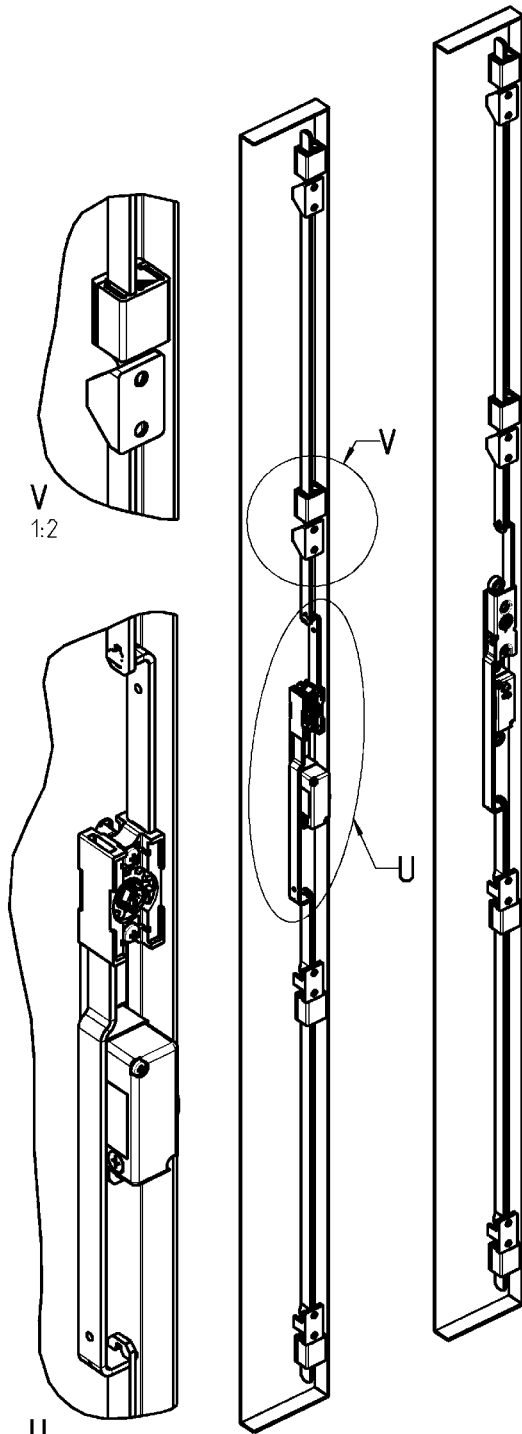
- 1 Swinghandle and escutcheon, Program 1125, 1150, 1160, 1180, 1190, 1225, 1325, 1390, 2100, 2400, 3000
- 2 Rod control
- 3 Rod control
- 4 Rod / Lock rod (outside the sealing)
- 5 Rod guide
- 6 Catch
- 7 Door
- 8 Housing / Frame



# 3ZA-100

# Rods

PROGRAM 1125, 1150, 1160, 1180, 1190, 1225, 1325, 1390, 2100, 3000



4 various locking types



**A**  
Rod with locking slider  
see catalogue page 3ZA-220



**B**  
Twisted rod  
see catalogue page 3ZA-220



Rod with double roller  
for catch with bracket  
and extended catch area  
see page 3ZA-1210

**C**  
Rod with double roller  
see catalogue page 3ZA-260



**D**  
Rod with notch  
see catalogue page 3ZA-260

**Attention:**  
Rods with 90° turn - see catalogue page 3ZA-1120

Program	Dimension A	Dimension B
1125	45	23
1150	45	22
1160	45	22
1180	45	22
1190	42	20
1225	45	23
1325	45	23
2100	45	22



Further parts see page

– Rods with 90° turn 3ZA-1120

**Program 1160**  
– Swinghandle and escutcheon 3D-120  
3D-140

**Program 1180**  
– Swinghandle and escutcheon 3E-120  
3E-140  
– Rod control 3YA-480

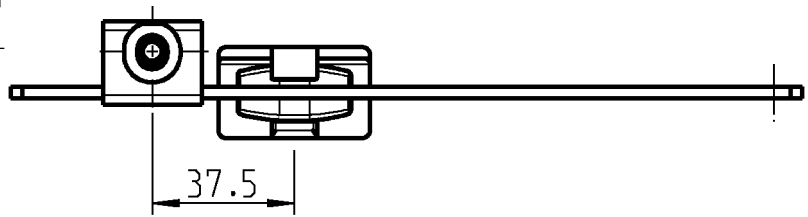
**Program 1190**  
– Lifthandle 3F-120  
– Escutcheon 3F-220

**Program 1390**  
– Escutcheon 3FA-120  
– Lifthandle 3FA-140

**Program 1125, 1150, 1225, 1325, 3000**  
– Rod control 3YA-110

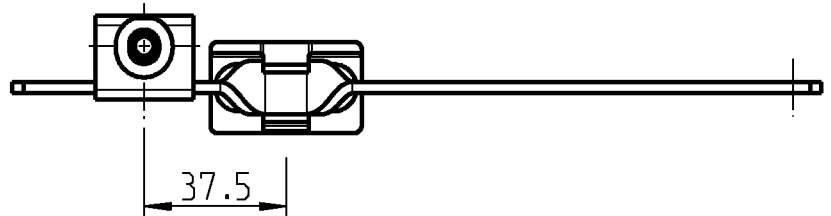
**Program 1150**  
– Rod control 3YA-420  
3YA-440

**Program 2100**  
– Rod control 3YA-520



**Note:**  
For dimensions see table  
on catalogue page 3ZA-120

Door height Th	Rods		Locking points (door centre)		Rod material of choice; locking slider polyamide GF black	
	Dim. X	Dim. Y	Dim. C	Dim. D	Material	Part no.
800-1200	-	126.5	-	300	m.s. zinc-plated	1121-U99
					Aluminium	1121-U100
					AISI 304	1121-U101
1200-1600	-	276.5	-	450	m.s. zinc-plated	1121-U105
					Aluminium	1121-U106
					AISI 304	1121-U107
1600-1900	101.5	526.5	275	700	m.s. zinc-plated	1121-U111
					Aluminium	1121-U112
					AISI 304	1121-U113
1900-2200	101.5	676.5	275	850	m.s. zinc-plated	1121-U117
					Aluminium	1121-U118
					AISI 304	1121-U119



**Further parts see page**  
 - Catch 3ZA-1220  
 3ZA-1240  
 - Rod guide 3ZC-120  
 to 3ZC-170

**Program 1160**  
 - Swinghandle and  
 escutcheon 3D-120  
 3D-140

**Program 1180**  
 - Swinghandle and  
 escutcheon 3E-120  
 3E-140  
 - Rod control 3YA-480

**Program 1190**  
 - Liffhandle 3F-120  
 - Escutcheon 3F-220

**Program 1390**  
 - Escutcheon 3FA-120  
 - Liffhandle 3FA-140

**Program 1125, 1150,  
 1225, 1325, 3000**  
 - Rod control 3YA-110

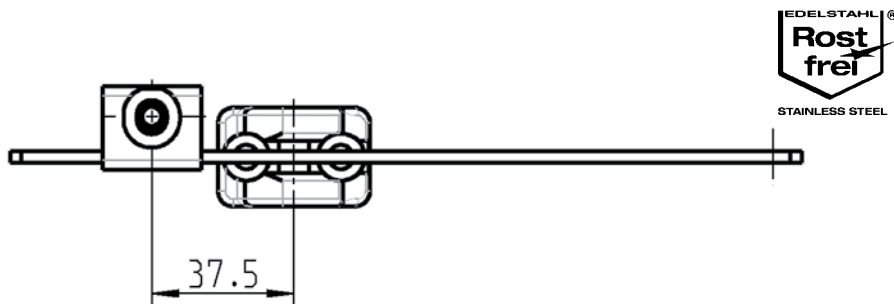
**Program 1150**  
 - Rod control 3YA-420  
 3YA-440

**Program 2100**  
 - Rod control 3YA-520

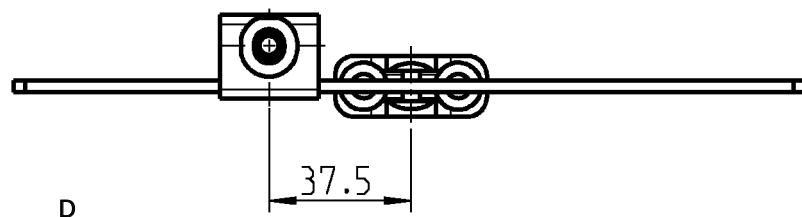
Door height Th	Rods		Locking points (door centre)		Rod material of choice	
	Dim. X	Dim. Y	Dim. C	Dim. D	Material	Part no.
800-1200	-	126.5	-	300	m.s. zinc-plated	1121-71-01RA
					Aluminium	1121-71-01TA
					AISI 304	1121-71-01PC
1200-1600	-	276.5	-	450	m.s. zinc-plated	1121-71-03RA
					Aluminium	1121-71-03TA
					AISI 304	1121-71-03PC
1600-1900	101.5	526.5	275	700	m.s. zinc-plated	1121-71-05RA
					Aluminium	1121-71-05TA
					AISI 304	1121-71-05PC
1900-2200	101.5	676.5	275	850	m.s. zinc-plated	1121-71-07RA
					Aluminium	1121-71-07TA
					AISI 304	1121-71-07PC

# Overview of rods

## PROGRAM 1125 - 3000



Door height Th	Rods		Locking points (door centre)		Rod material of choice; double roller brass	
	Dim. X	Dim. Y	Dim. C	Dim. D	Material	Part no.
800-1200	-	126.5	-	300	m.s. zinc-plated	1121-U155
					Aluminium	on request
					AISI 304	on request
1200-1600	-	276.5	-	450	m.s. zinc-plated	1121-U158
					Aluminium	on request
					AISI 304	on request
1600-1900	101.5	526.5	275	700	m.s. zinc-plated	1121-U161
					Aluminium	on request
					AISI 304	on request
1900-2200	101.5	676.5	275	850	m.s. zinc-plated	1121-U164
					Aluminium	on request
					AISI 304	on request



Door height Th	Rods		Locking points (door centre)		Rod material of choice	
	Dim. X	Dim. Y	Dim. C	Dim. D	Material	Part no.
800-1200	-	126.5	-	300	m.s. zinc-plated	1121-68-01RA
					Aluminium	-
					AISI 304	-
1200-1600	-	276.5	-	450	m.s. zinc-plated	1121-68-03RA
					Aluminium	-
					AISI 304	-
1600-1900	101.5	526.5	275	700	m.s. zinc-plated	1121-68-05RA
					Aluminium	-
					AISI 304	-
1900-2200	101.5	676.5	275	850	m.s. zinc-plated	1121-68-07RA
					Aluminium	-
					AISI 304	-

**Note:**  
For dimensions see table  
on catalogue page 3ZA-120

### Further parts see page

- Catch 3ZA-1220  
3ZA-1240
- Rod guide 3ZC-120  
to 3ZC-170

### Program 1160

- Swinghandle and escutcheon 3D-120  
3D-140

### Program 1180

- Swinghandle and escutcheon 3E-120  
3E-140
- Rod control 3YA-480

### Program 1190

- Lifthandle 3F-120
- Escutcheon 3F-220

### Program 1390

- Escutcheon 3FA-120
- Lifthandle 3FA-140

### Program 1125, 1150, 1225, 1325, 3000

- Rod control 3YA-110  
3YA-120

### Program 1150

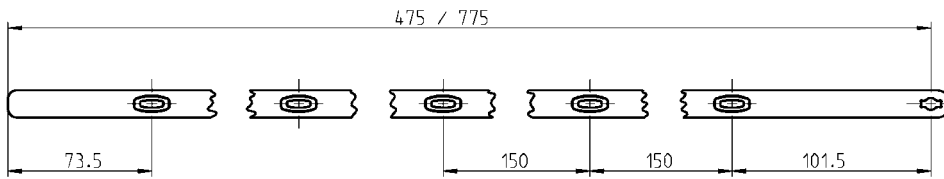
- Rod control 3YA-420  
3YA-440

### Program 2100

- Rod control 3YA-520







### Rod with locking slider polyamide GF black

Door height Th	Locking points	Rod length * =Rod has to be shortened!	
800-1300	2-3	475 *	1121-115
1300-1600	3	475	1121-115
1600-1900	4-5	775 *	1121-115-01
1900-2200	5	775	1121-115-01

### Rod with locking slider polyamide GF silver grey metallic

Door height Th	Locking points	Rod length * =Rod has to be shortened!	
800-1300	2-3	475 *	on request
1300-1600	3	475	on request
1600-1900	4-5	775 *	1121-115-01CX
1900-2200	5	775	1121-115-01CX



### Further parts see page

– Rod guide 3ZC-120 to 3ZC-170

### Program 1160

– Swinghandle and escutcheon 3D-120 3D-140

### Program 1180

– Swinghandle and escutcheon 3E-120 3E-140  
– Rod control 3YA-320

### Program 1190

– Lifthandle 3F-120  
– Escutcheon 3F-220

### Program 1390

– Escutcheon 3FA-120  
– Lifthandle 3FA-140

### Program 1125, 1150, 1225, 1325, 3000

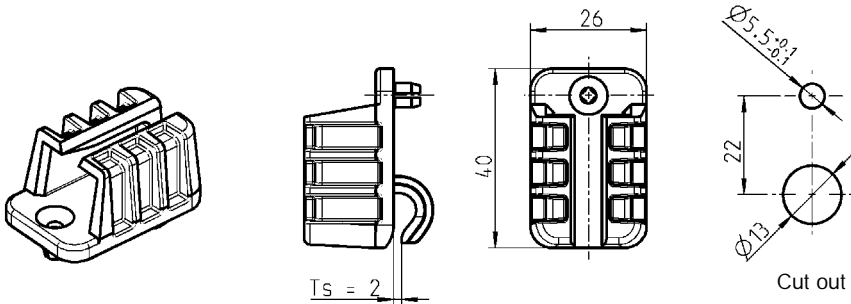
– Rod control 3YA-120

### Program 1150

– Rod control 3YA-420 3YA-440

### Program 2100

– Rod control 3YA-520



### Catch polyamide black

for countersunk screw Ø 3.5 x 13 1121-116-01

### Catch polyamide silver grey metallic

for countersunk screw Ø 3.5 x 13 1121-116-01CX

### Countersunk screw Ø 3.5 x 13

000104

Info

1 Quarter turns



2 Rod controls

3 Locking systems

4 Hinges

5 Seals

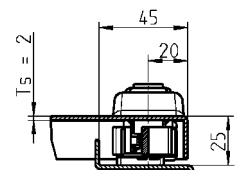
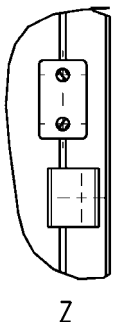
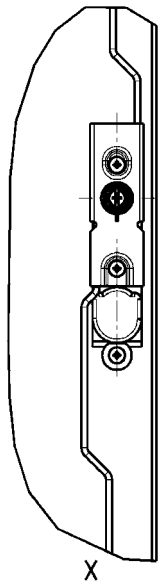
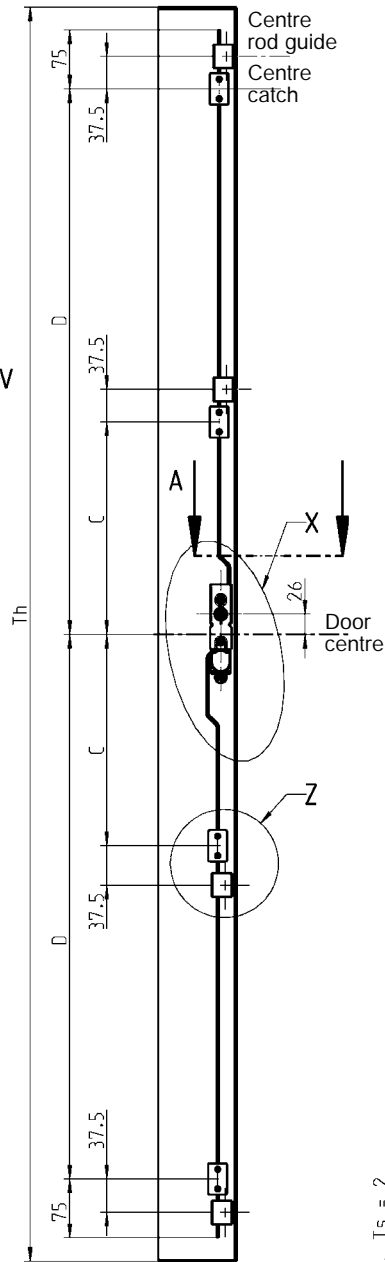
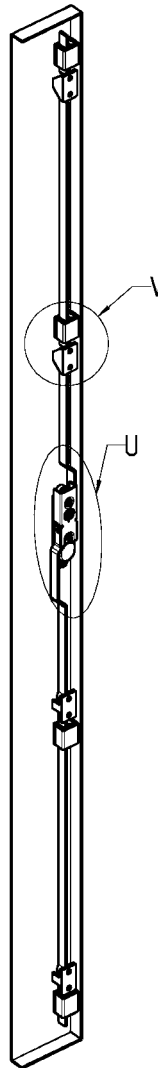
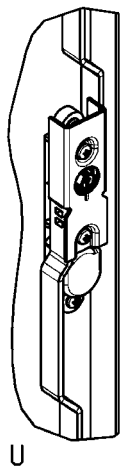
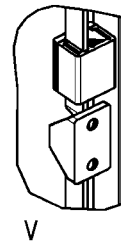
6 Handles

7 Aluminium windows

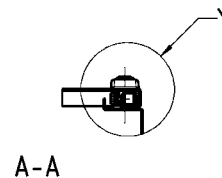
8 Miscellaneous

9 Special catalogues

Index



Door depicted from inside



Bending area

Y

#### Further parts see page

- Catch 3ZA-1220
- Rod guide 3ZC-120 to 3ZC-170

#### Program 1160

- Swinghandle and escutcheon 3D-220

Door height Th	Locking points (door centre)		Part no. upper rod		Part no. lower rod	
	Dim. C	Dim. D	m.s. zinc-plated	Aluminium	m.s. zinc-plated	Aluminium
800-1200	-	300	1160-08-01RA	on request	1160-09-01RA	on request
1200-1600	-	450	1160-08-03RA	on request	1160-09-03RA	on request
1600-1900	275	700	1160-08-05RA	on request	1160-09-05RA	on request
1900-2200	275	850	1160-08-07RA	on request	1160-08-07RA	on request

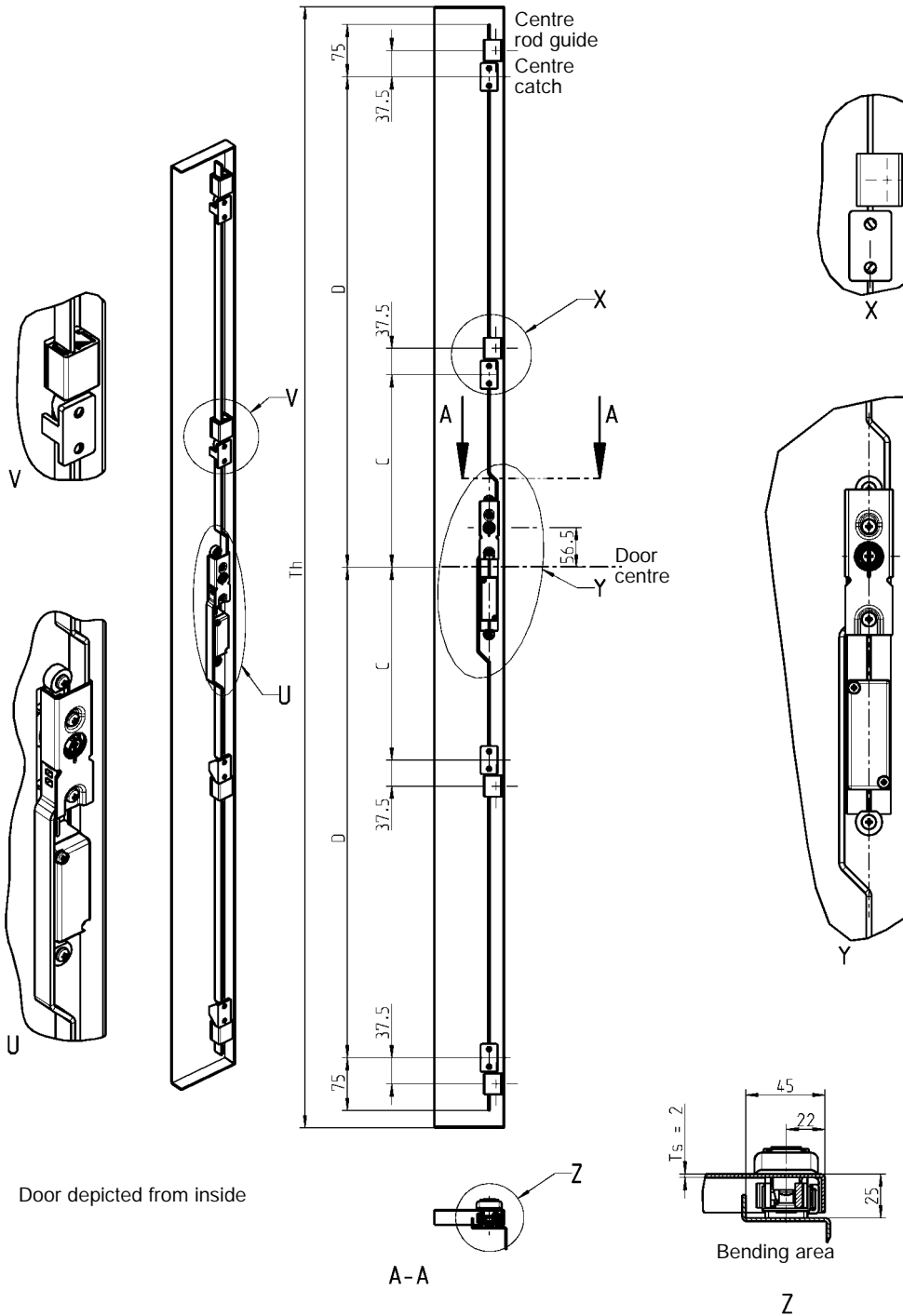
**3ZA-420** 01/14  
(3M-420)

© EMKA Beschlagteile GmbH & Co. KG • 2021 • www.emka.com

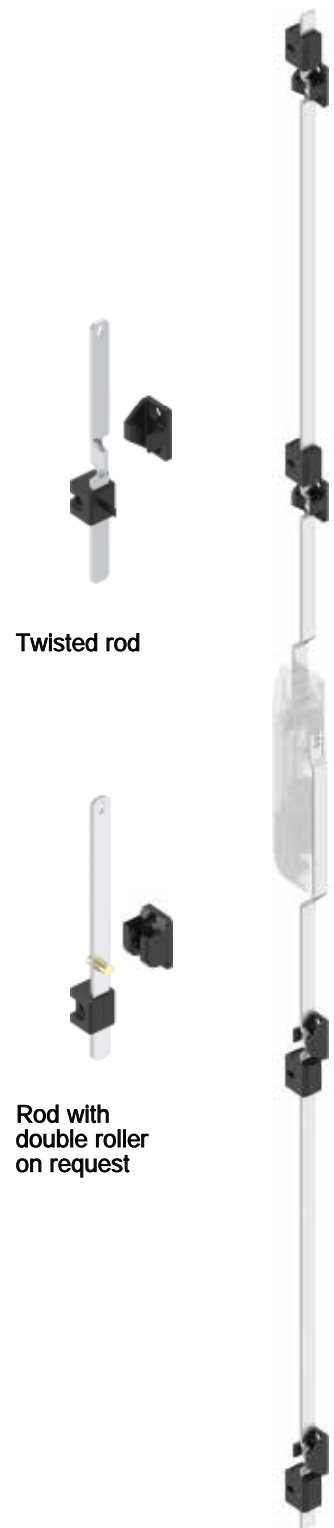
Items printed in gray without stock

# Twisted rods

## PROGRAM 1180



Door depicted from inside



Twisted rod

Rod with double roller on request

Door height Th	Locking points (door centre)		Part no. upper rod		Part no. lower rod	
	Dim. C	Dim. D	m.s. zinc-plated	Aluminium	m.s. zinc-plated	Aluminium
800-1200	-	300	1180-08-01RA	on request	1180-09-01RA	on request
1200-1600	-	450	1180-08-03RA	on request	1180-09-03RA	on request
1600-1900	275	700	1180-08-05RA	on request	1180-09-05RA	on request
1900-2200	275	850	1180-08-07RA	on request	1180-09-07RA	on request

Further parts see page

- Catch 3ZA-1220
- Rod guide 3ZC-120 to 3ZC-170

Program 1180

- Swinghandle and escutcheon 3E-220

Info

1 Quarter turns



2 Rod controls

3 Locking systems

4 Hinges

5 Seals

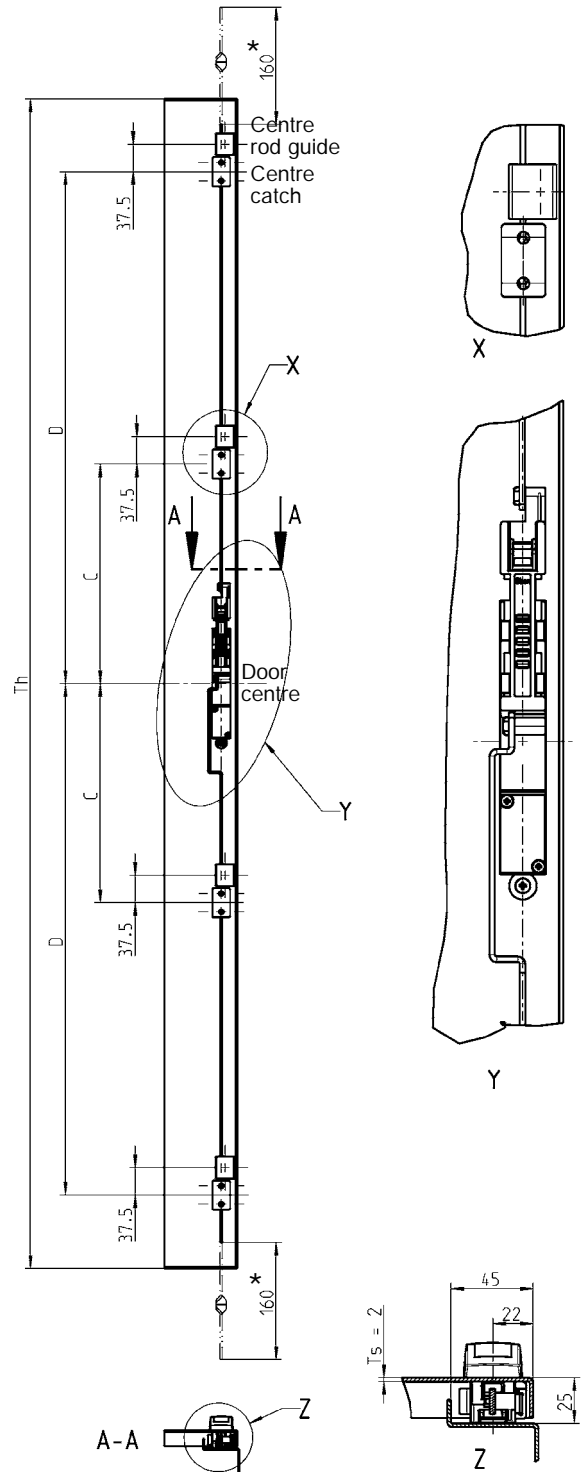
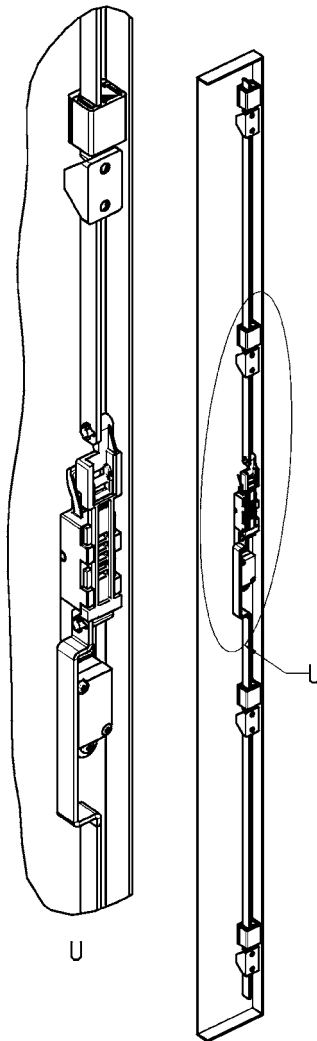
6 Handles

7 Aluminium windows

8 Miscellaneous

9 Special catalogues

Index



Door depicted from inside with  
Th = 1600-1900 as example

\* Flat rod has to be shortened

Further parts see page

– Catch 3ZA-1220  
– Rod guide 3ZC-120  
to 3ZC-170

**Program 1190**

– Swinghandle 3F-320  
3F-330

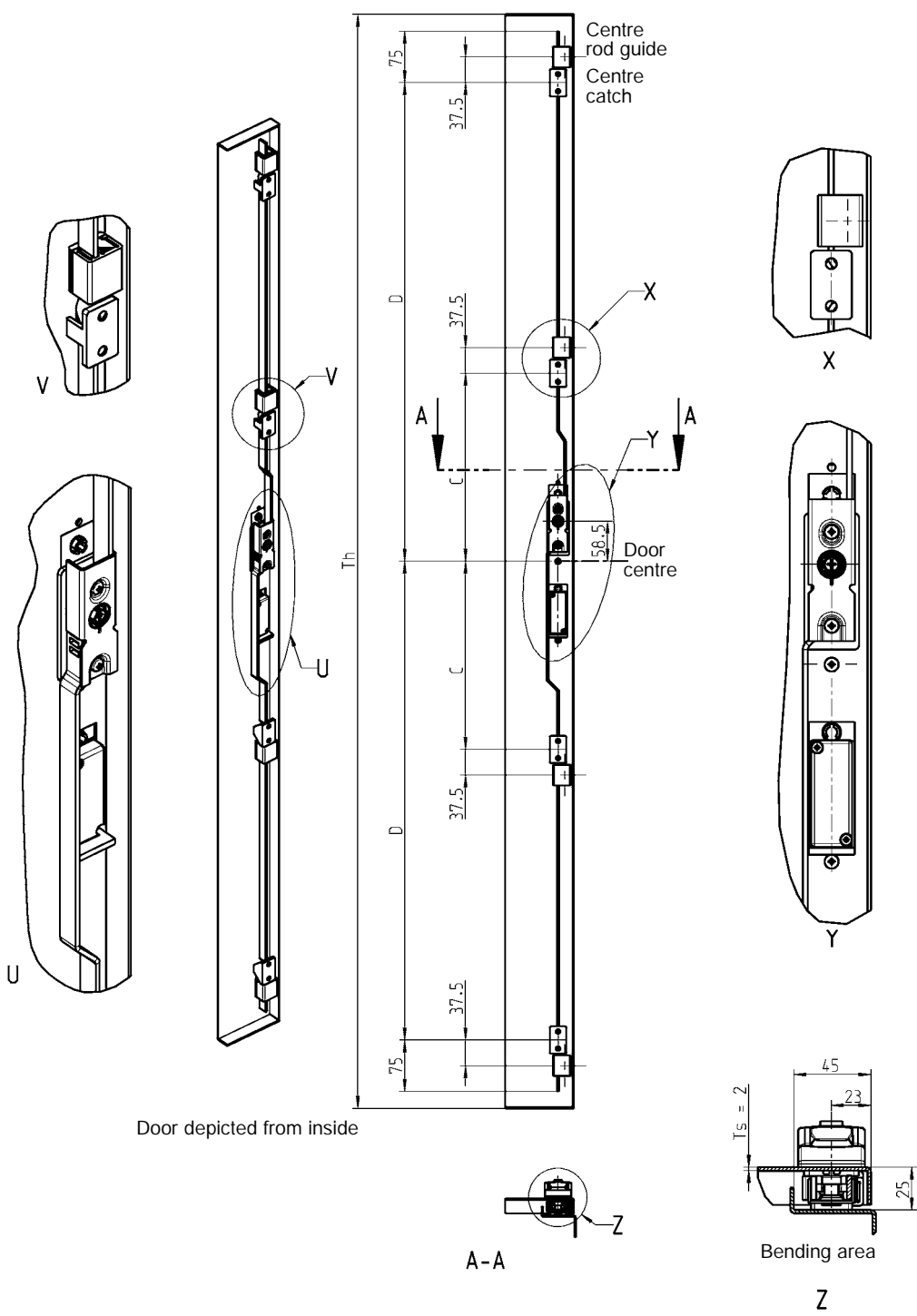
Door height Th	Locking points (door centre)		Part no. upper rod		Part no. lower rod	
	Dim. C	Dim. D	m.s. zinc-plated	Aluminium	m.s. zinc-plated	Aluminium
800-1200	–	300	1190-25-01JB*	1190-25-01TA*	1190-25-02JB*	1190-25-02TA*
1200-1600	–	450	1190-25-01JB	1190-25-01TA	1190-25-02JB	1190-25-02TA
1600-1900	300	700	1190-27-01JB*	1190-27-01TA*	1190-27-02JB*	1190-27-02TA*
1900-2200	300	850	1190-27-01JB	1190-27-01TA	1190-27-02JB	1190-27-02TA

**3ZA-560** 01/14

© EMKA Beschlagteile GmbH & Co. KG • 2021 • www.emka.com

Items printed in gray without stock

# Twisted rods PROGRAM 2400



Door depicted from inside

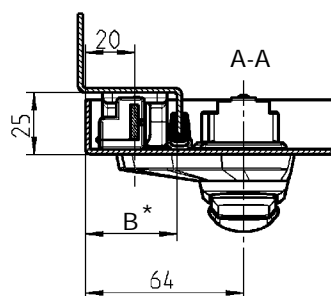
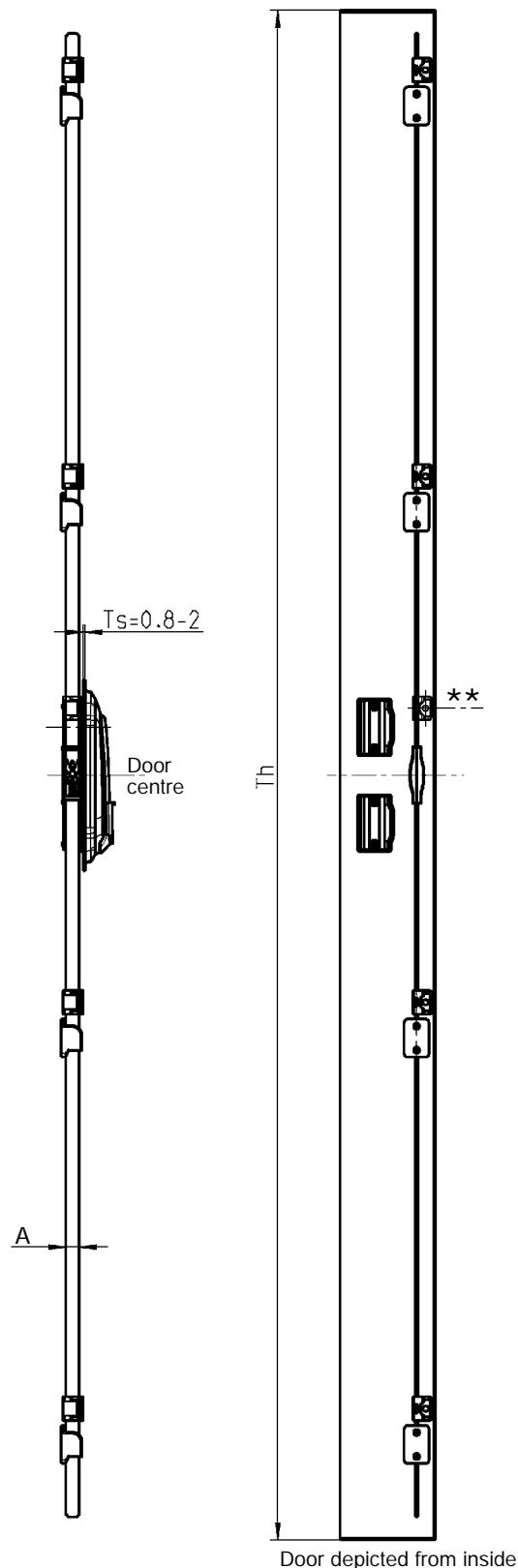
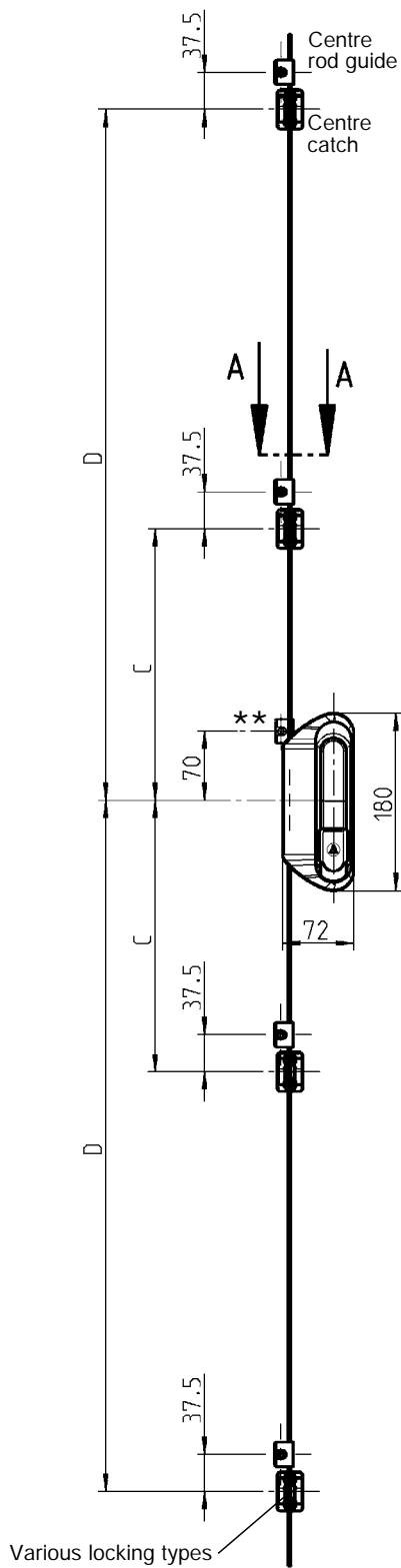
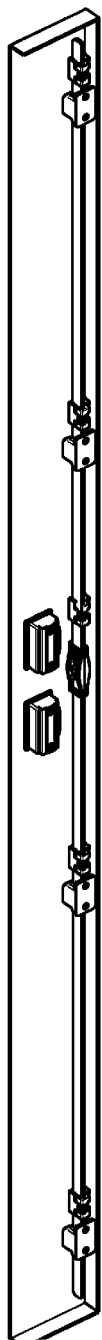


Further parts see page  
 – Catch 3ZA-1220  
 – Rod guide 3ZC-120 to 3ZC-170  
**Program 2400**  
 – Escutcheon 3K-220

Door height Th	Locking points (door centre)		Part no. upper rod		Part no. lower rod	
	Dim. C	Dim. D	m.s. zinc-plated	Aluminium	m.s. zinc-plated	Aluminium
800-1200	-	300	2400-19-01RA	on request	2400-18-01RA	on request
1200-1600	-	450	2400-19-03RA	on request	2400-18-03RA	on request
1600-1900	275	700	2400-19-05RA	on request	2400-18-05RA	on request
1900-2200	275	850	2400-19-07RA	on request	2400-18-07RA	on request

## Rods for small bending area

## PROGRAM 1325



\* The values in the table for dimension B with seal refer to the seal 1011-10. With other seals, the values for dimension B differ.

Dimension A	Flat rod 14x3	
Locking type (see right)	Dimension B	
	without seal	with seal
1	30	33
2	30	33
3	34	37

### Locking types



1

Rod with cut out



2

Rod with single roller



3

Rod with double roller



Locking type	Article	Catalogue page	Part no.
1	Catch	3ZA-1220	1121-U76
	Rod guide	3ZC-120 3ZC-140	1121-89-11 1121-106
	Rod with notch	see below	
	Hinge	① see below right	
2	Catch	-	2600-12
	Rod guide	3ZC-120 3ZC-140	1121-89-11 1121-106
	Rod control with single roller	see below	
	Hinge	① see below right	
3	Catch	3ZA-1220	1121-18-02
	Rod guide	3ZC-120 3ZC-140	1121-89-11 1121-106
	Rod control with double roller	see below	
	Hinge	① see below right	

### Rod 14x3 m.s. zinc-plated

Door height	Locking points (door centre)			Part no.	
	Th	Dim. C	Dim. D		
800-1200	-	-	300	1 (upper rod)	1325-15-01JB
				1 (lower rod)	1325-14-01JB
				2	on request
				3	on request
1200-1600	-	-	450	1 (upper rod)	1325-15-03JB
				1 (lower rod)	1325-14-03JB
				2	on request
				3	on request
1600-1900	275	-	700	1 (upper rod)	1325-15-05JB
				1 (lower rod)	1325-14-05JB
				2	on request
				3	on request
1900-2200	275	-	850	1 (upper rod)	1325-15-07JB
				1 (lower rod)	1325-14-07JB
				2	on request
				3	on request

① Fixing of hinge with countersunk screws

\*\* Note:  
Additional rod guides necessary for door height up to 1600 mm

Further parts see page

**Hinge suitable for locking types 1, 2 and 3**

- 125° Hinge 4A-136
- 180° Hinge (bottom) 4A-140
- 180° Hinge 4A-145

**Also suitable for locking type 3**

- 180° Hinge (26 mm door return) 4A-170
- 180° Hinge (26 mm door return) 4A-210

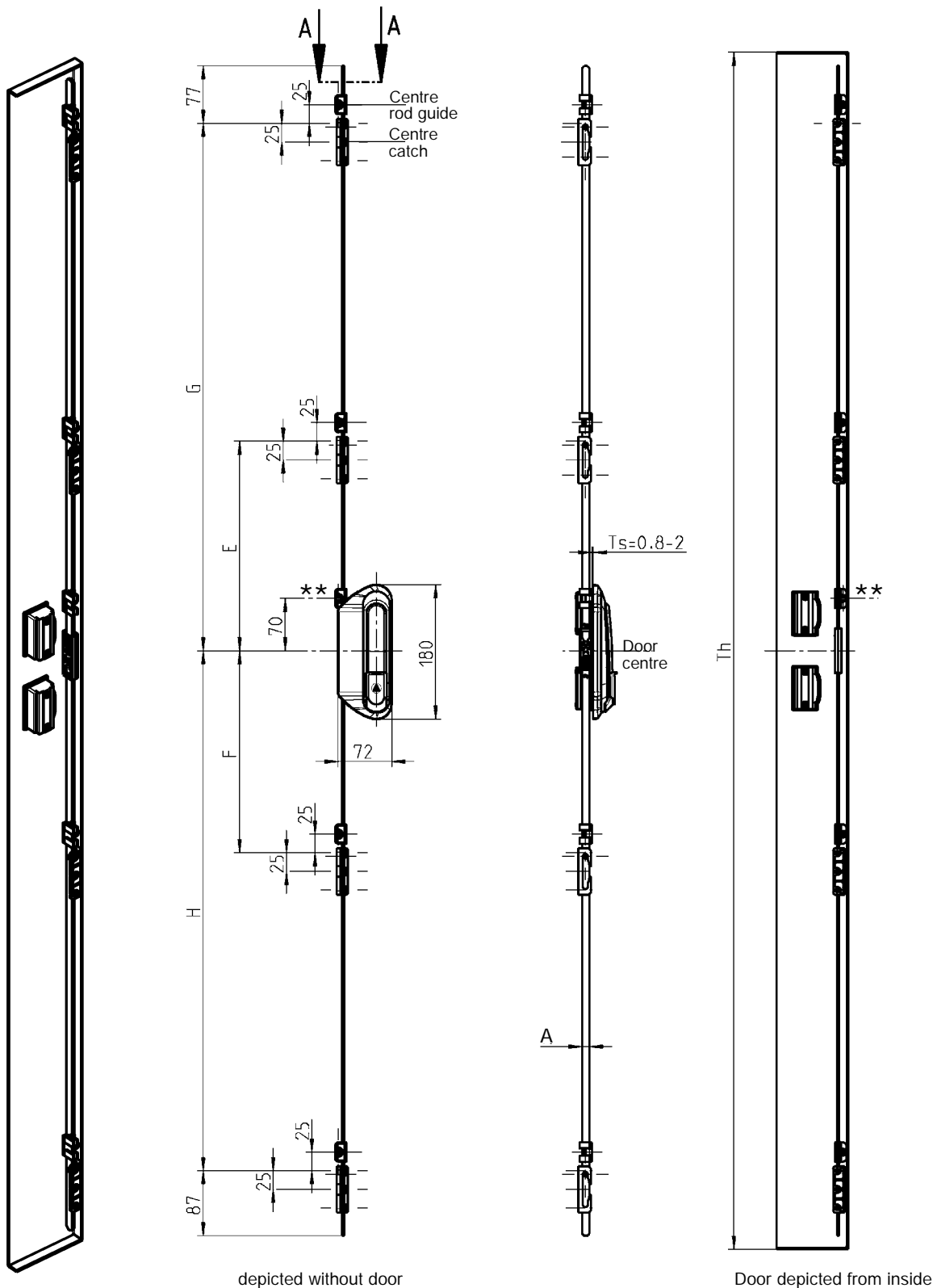
**Program 1325**

- Swinghandle for small bending area 3BA-320

# Rod controls for small bending area

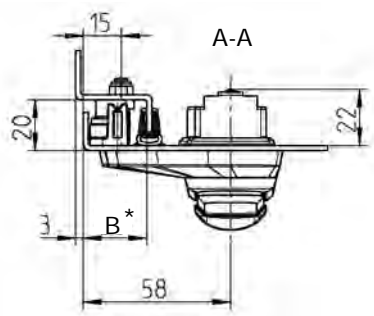
## 20x22 without seal and 20x25 with seal

### PROGRAM 1325



depicted without door

Door depicted from inside



\* The values in the table for dimension B with seal refer to the seal 1011-10. With other seals, the values for dimension B differ.

Dimension A	Flat rod 10x3	
Locking type (see right)	Dimension B	
	without seal	with seal
	22	25

- Info
- 1 Quarter turns
- 2 Rod controls
- 3 Locking systems
- 4 Hinges
- 5 Seals
- 6 Handles
- 7 Aluminium windows
- 8 Miscellaneous
- 9 Special catalogues
- Index



Locking type  
and rod control

130° Concealed hinge

180° Prominent hinge



Article	Material	Part no.
Swinghandle	see catalogue page 3BA-320	1325-U202
Catch	Zinc die black powder-coated for countersunk screw M5	1121-149
Rod guide	Polyamide black for weld studs Ø 6x8-M4 and oval head screw DIN 7045 M4x6	1121-148
Rod	see below	
130° Concealed hinge	Frame part m.s. zinc-plated with pressed-in grub screws M5x12; hinge roll m.s. raw for welding on; pin m.s. zinc-plated	on request
180° Prominent hinge	Zinc die black powder-coated; fixing pin polyamide GF black; hinge pin stainless steel and washer brass	on request

**Rod 10x3 m.s. zinc-plated**

Door height Th	Locking points (door centre)				Part no.
	Dim. E	Dim. F	Dim. G	Dim. H	
800-1200	-	-	305	295	1325-U220-01
1200-1600	-	-	455	445	1325-U220-03
1600-1900	280	270	705	695	1325-U220-05
1900-2200	280	270	855	845	1325-U220-07

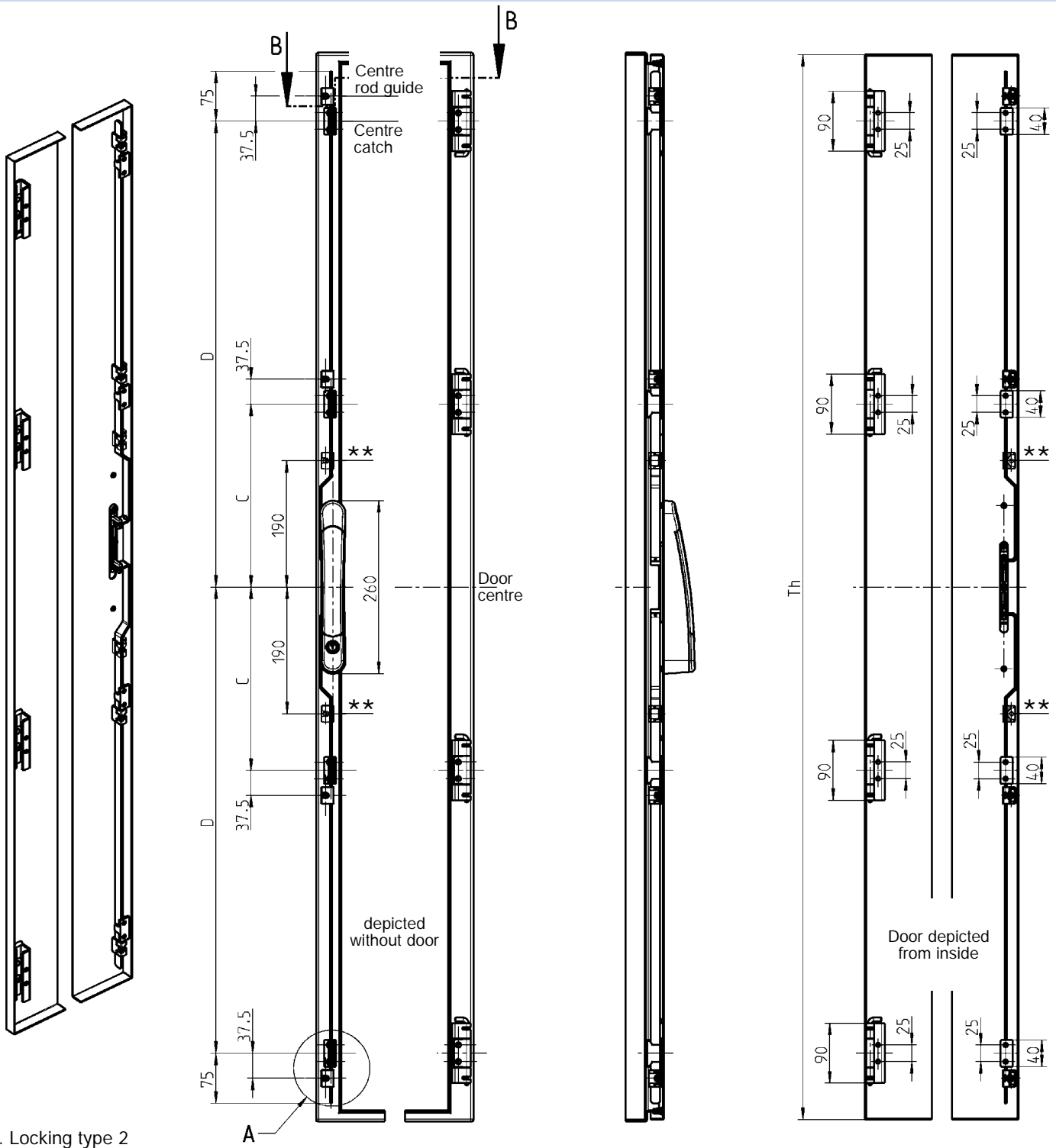
\*\* Note:  
Additional rod guides  
necessary for door height  
up to 1600 mm

Further parts see page

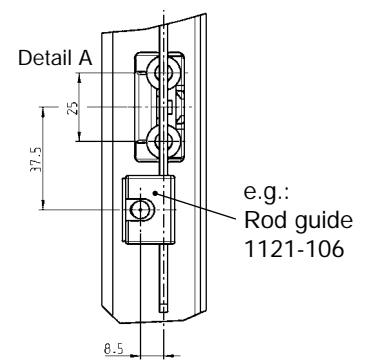
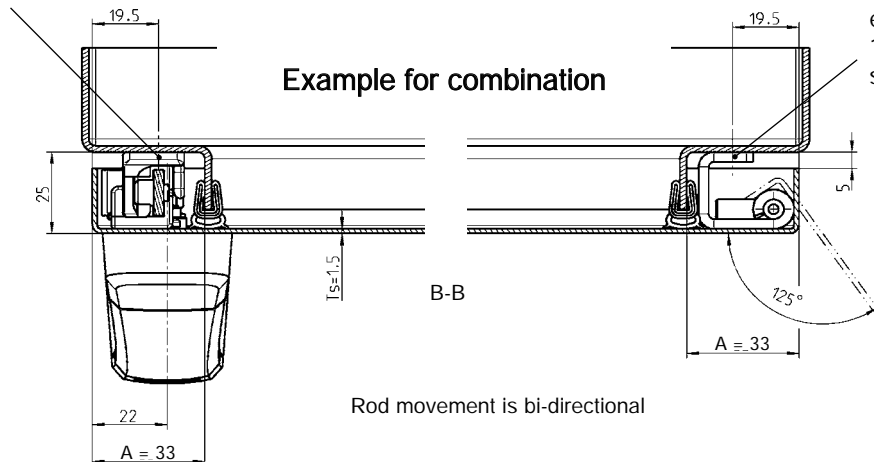
**Program 1325**  
– Swinghandle for  
small bending area 3BA-320

# Rods for small bending area

## PROGRAM 1390



e.g. Locking type 2



### Locking types



1

Rod with cut out



2

Rod with single roller



3

Rod with double roller



1 Quarter turns

2 Rod controls

3 Locking systems

4 Hinges

5 Seals

6 Handles

7 Aluminium windows

8 Miscellaneous

9 Special catalogues

Index

Locking type	Dim. A	Article	Catalogue page	Part no.
1	33	Catch	* 3ZA-1220	1121-U76
		Rod guide	3ZC-120 3ZC-140	1121-89-11 1121-106
		Rod with notch	see below	
		Hinge	* see below right	
2	33	Catch	* -	2600-12
		Rod guide	3ZC-120 3ZC-140	1121-89-11 1121-106
		Rod control with single roller	see below	
		Hinge	* see below right	
3	37	Catch	* 3ZA-1220	1121-18-02
		Rod guide	3ZC-120 3ZC-140	1121-89-11 1121-106
		Rod control with double roller	see below	
		Hinge	* see below right	



\* Fixing with countersunk screws acc. to DIN ISO 2009, 2010, 7046-1, 7046-2, 7047

\*\* Note: Additional rod guides necessary for door height up to 1600 mm

Door height	Locking points (door centre)		Rod		
			Locking type	Part no.	
	Th	Dim. C		Dim. D	Upper rod
** 800-1200	-	300	1	1390-11-01JB	1390-12-01JB
			2	1390-U10-01	
			3	1390-U11-01	
** 1200-1600	-	450	1	1390-11-03JB	1390-12-03JB
			2	1390-U10-03	
			3	1390-U11-03	
1600-1900	275	700	1	1390-11-05JB	1390-12-05JB
			2	1390-U10-05	
			3	1390-U11-05	
1900-2200	275	850	1	1390-11-07JB	1390-12-07JB
			2	1390-U10-07	
			3	1390-U11-07	

Further parts see page

#### Hinge suitable for locking types 1, 2 and 3

- 125° Hinge	4A-136
- 180° Hinge (bottom)	4A-140
- 180° Hinge	4A-145
- 180° Hinge (bottom)	4A-170
- 180° Hinge	
- 180° Hinge (26 mm door return)	4A-210
- 180° Hinge	4A-215

#### Program 1390

- Escutcheon for small bending area	3FA-120
- Lifthandle for small bending area	3FA-140

Info

1 Quarter turns



2 Rod controls



3 Locking systems

4 Hinges

5 Seals



6 Handles

7 Aluminium windows

8 Miscellaneous

Rods suitable for Program  
1125, 1150, 1160, 1180, 1190,  
1225, 1325, 2100, 2225,  
2400 and 3000  
individually on request

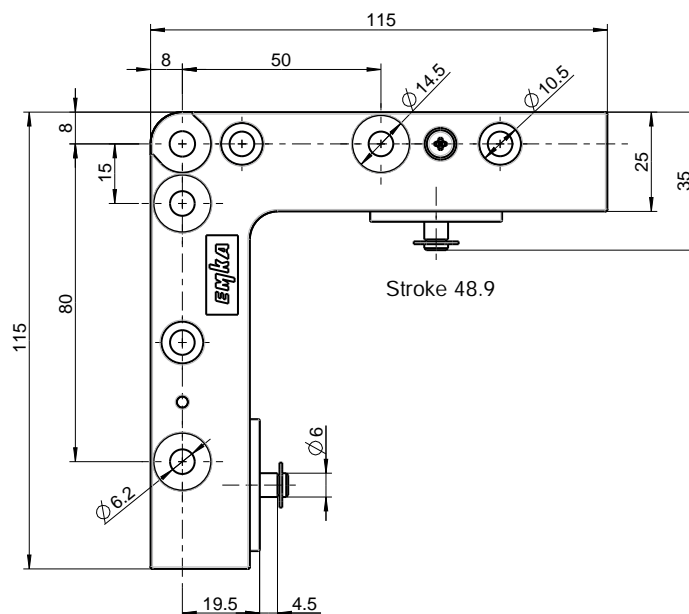
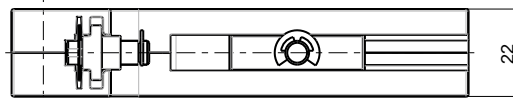
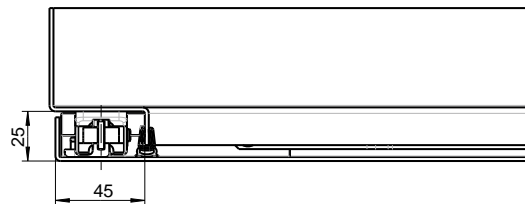
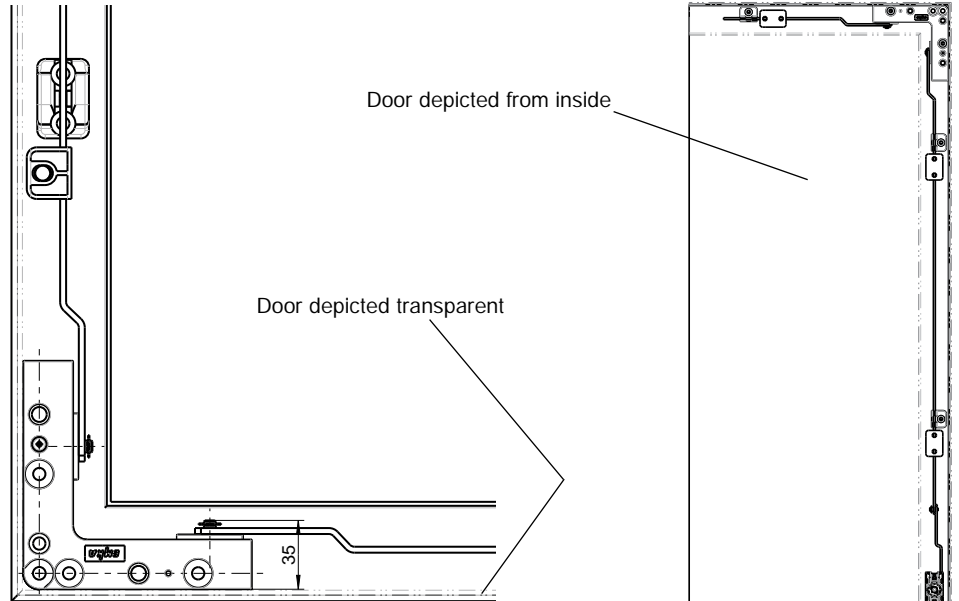
Further parts see page  
– Rod without  
corner guide

3ZA-120

9 Special catalogues

Index

**3ZA-1120** 09/20  
(3ZA-420)



Corner guide polyamide GF black, connector zinc die raw,  
circlip and screw m.s. zinc-plated, with spring hinge

for weld stud M6x20 or blind rivet

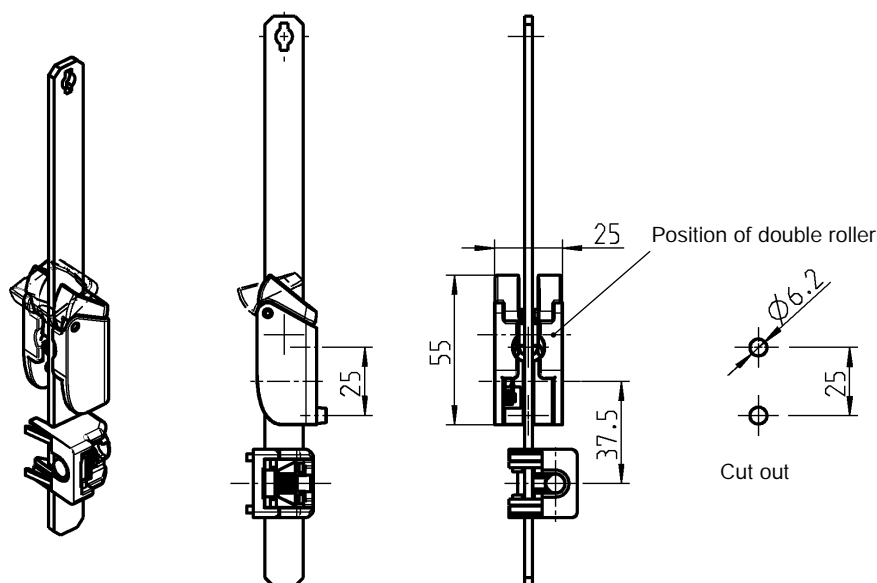
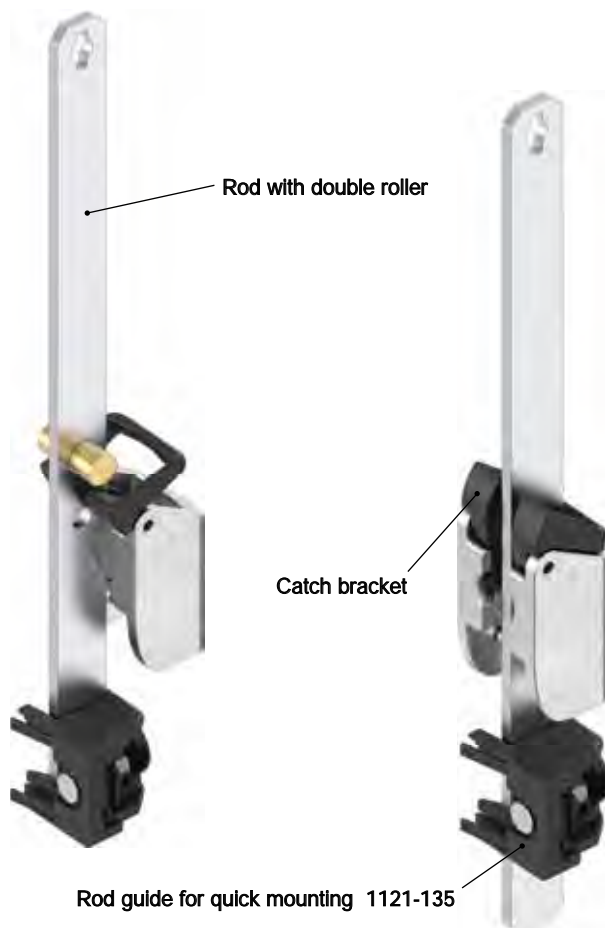
1121-U206

# Rod with double roller for catch with bracket and extended catch area

PROGRAM 1125 - 3000

### Product benefits

- Bracket increases the catch area from 8.5 mm to 13 mm
- Ensures that the double roller is hooked in the catch before the seal is compressed
- Fixing with only one screw instead of two
- Exchangeable with the previous catch 1121-18-02
- Rod control remains in former position
- High closing comfort
- Patented



**Note:**  
For dimensions see table on catalogue page 3ZA-120

**Further parts see page**  
– Rod guide 3ZC-120 to 3ZC-170

**Program 1160**  
– Swinghandle and escutcheon 3D-120 to 3D-140

**Program 1180**  
– Swinghandle and escutcheon 3E-120 to 3E-140  
– Rod control 3YA-480

**Program 1190**  
– Swinghandle 3F-120  
– Escutcheon 3F-220

**Program 1125, 1150, 1225, 1325, 3000**  
– Rod control 3YA-110 to 3YA-120

**Program 1150**  
– Rod control 3YA-420 to 3YA-440

**Program 2100**  
– Rod control 3YA-520

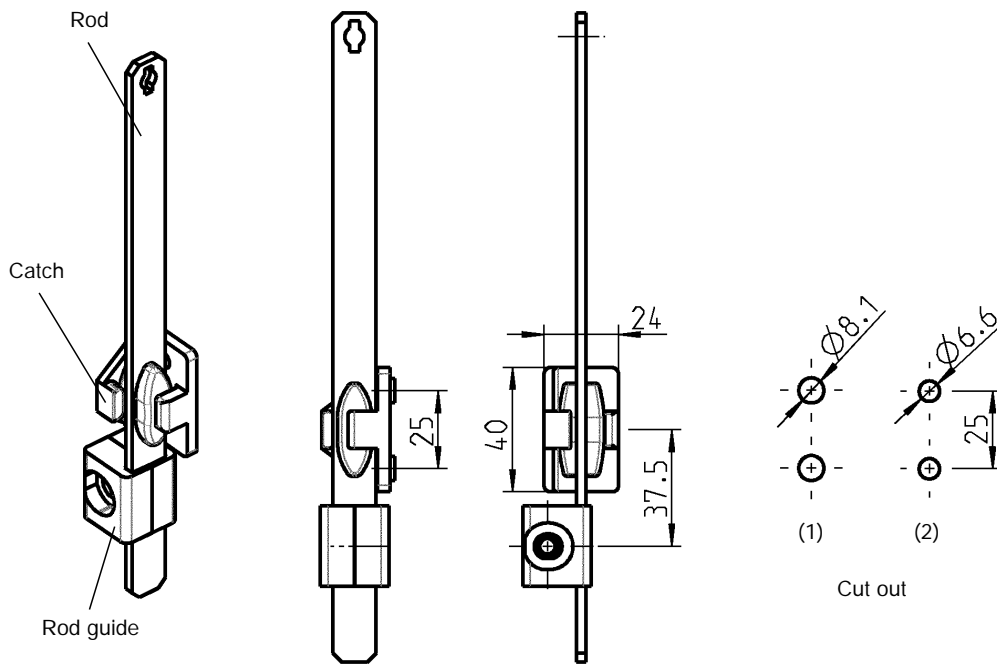
Door height Th	Rods		Locking points (door centre)		Rod control m.s. zinc-plated; double roller brass
	Dim. X	Dim. Y	Dim. C	Dim. D	
800-1200	–	126.5	–	300	1121-U155-01
1200-1600	–	276.5	–	450	1121-U158-01
1600-1900	101.5	526.5	275	700	1121-U161-01
1900-2200	101.5	676.5	275	850	1121-U164-01

Catch zinc die zinc-plated for rod with double roller;  
catch bracket polyamide GF black; with spring

1121-U194

# Catch

PROGRAM 1125, 1150, 1160, 1180, 1225, 1325, 2100, 2400, 3000



Catch interchangeable with 120° hinge, catalogue page 4A-190, or 180° hinge, catalogue page 4A-210

### Catch zinc die black powder-coated for rod with locking slider

with female thread M6

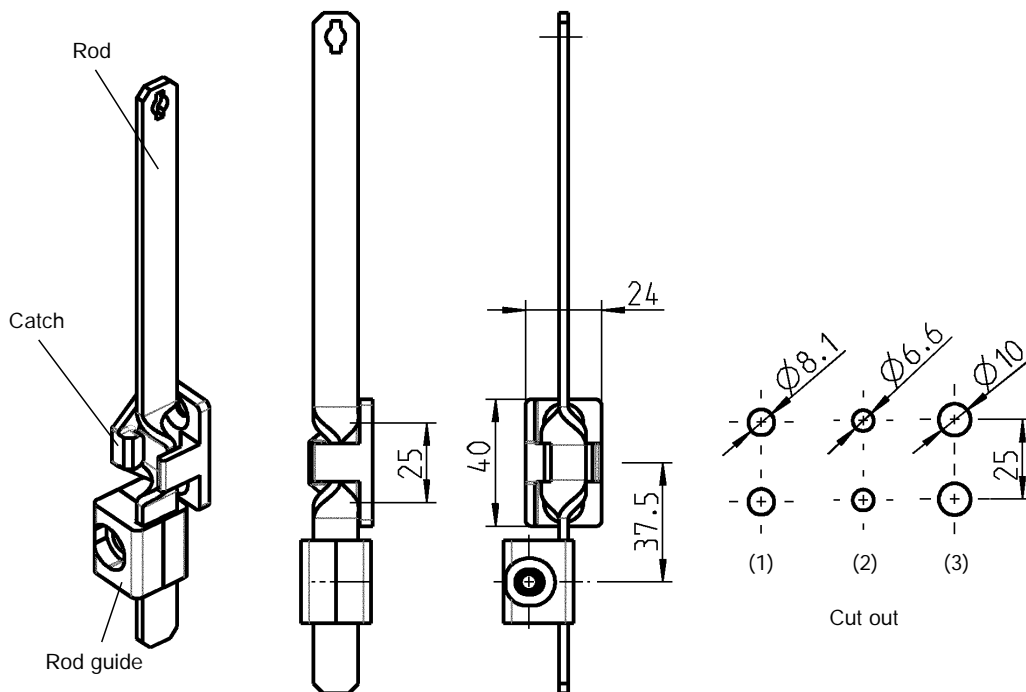
(1)

1121-54-P

for countersunk screw M6 (2D nut applicable)

(2)

1121-53-P



Catch interchangeable with 120° hinge, catalogue page 4A-190, or 180° hinge, catalogue page 4A-210

### Catch zinc die black powder-coated for twisted rod

with female thread M6

(1)

1121-70-01

for countersunk screw M6 (2D nut applicable)

(2)

1121-70

with clamping pin, polyamide GF black, Ts = 2.0

(3)

1121-U137

with male thread M10, nut m.s. zinc-plated

(3)

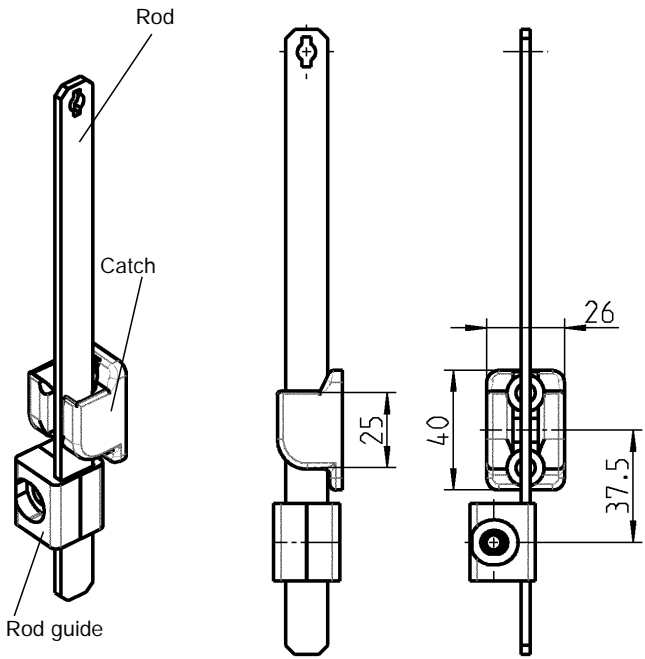
1121-U152

### Catch polyamide 66 GF 50 black for twisted rod

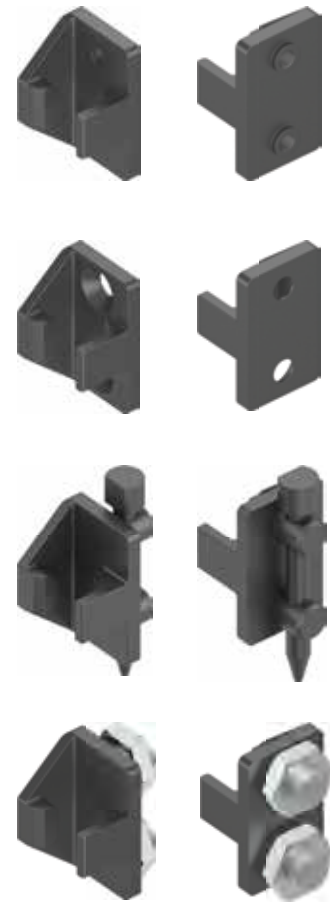
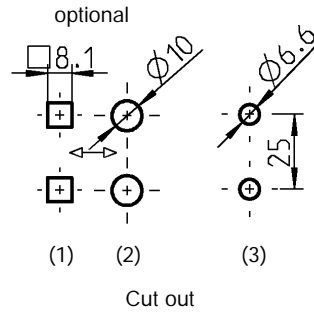
for countersunk screw M6 (2D nut applicable)

(2)

1121-70-04SK



4 various fixing possibilities

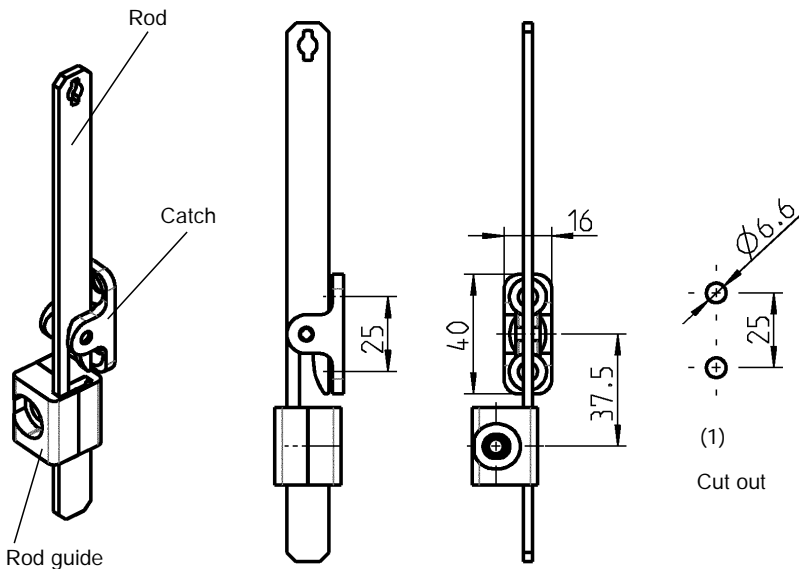


**Catch zinc die black powder-coated for rod with double roller**

with female thread M6	(1) (2)	1121-18-01
for countersunk screw M6 (2D nut applicable)	(3)	1121-18-02

**Catch AISI 316 for rod with double roller**

for countersunk screw M6 (2D nut applicable)	(3)	1121-18-02PH
--	-----	--------------



Catch interchangeable with 120° hinge, catalogue page 4A-190, or 180° hinge, catalogue page 4A-210

**Catch zinc die black powder-coated for rod with notch**

for countersunk screw M6 (2D nut applicable)	(1)	1121-U76
--	-----	----------

Small head = DIN ISO 2009, 2010, 7046-1, 7046-2, 7047

Further parts see page  
– 2D Nut 8E-120

Program 1125, 1150, 1160, 1180, 1190, 1225, 1325, 2100, 3000  
– Rods 3ZA-120

Program 1160  
– Lock rods 3ZA-420

Program 1180  
– Lock rods 3ZA-520

Program 1190  
– Rods 3ZA-560

Program 2400  
– Rods 3ZA-820

Info

1 Quarter turns



2 Rod controls

3 Locking systems



4 Hinges

5 Seals



6 Handles

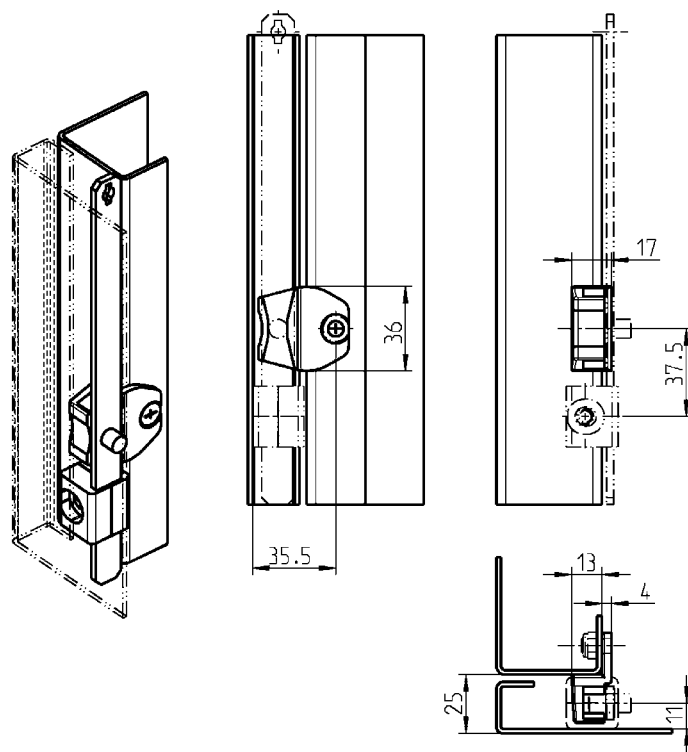
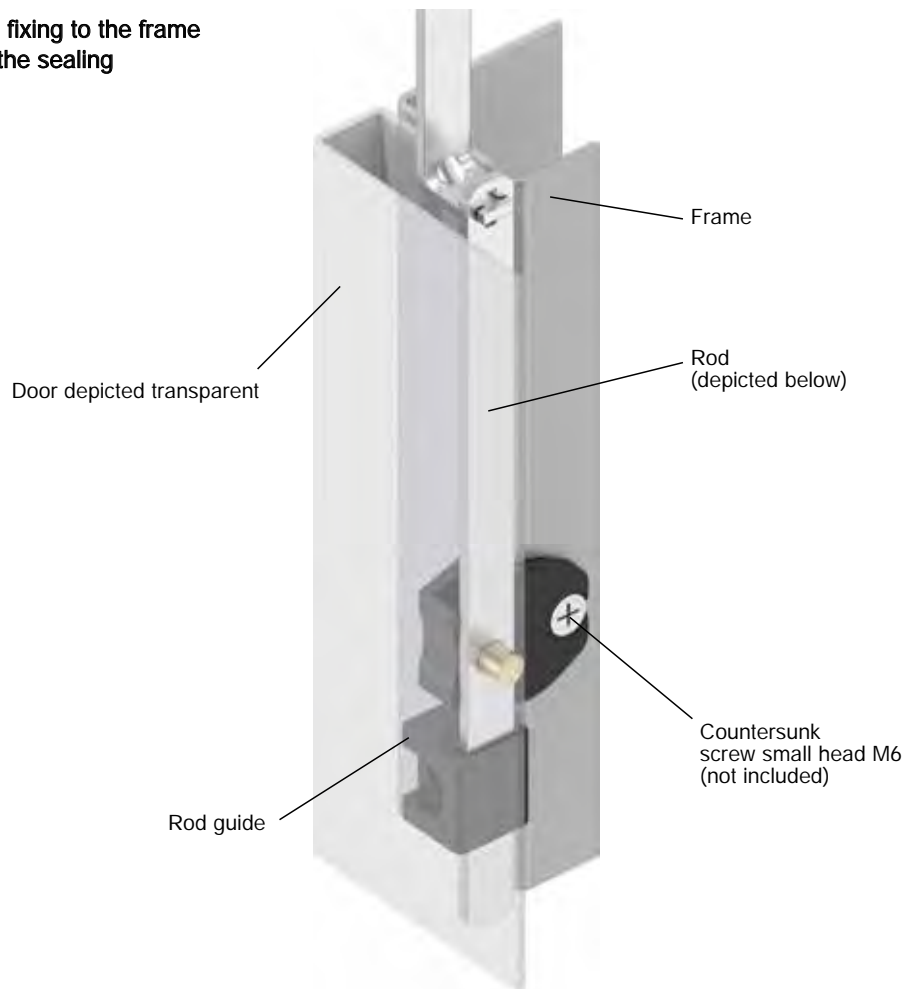
7 Aluminium windows

8 Miscellaneous

9 Special catalogues

Index

Lateral fixing to the frame inside the sealing



Small head = DIN ISO 2009, 2010, 7046-1, 7046-2, 7047

Further parts see page

Program 1125, 1150, 1160, 1180, 1190, 1225, 1325, 2100, 3000  
 – Rods 3ZA-260

Catch zinc die black powder-coated

1121-108-AA

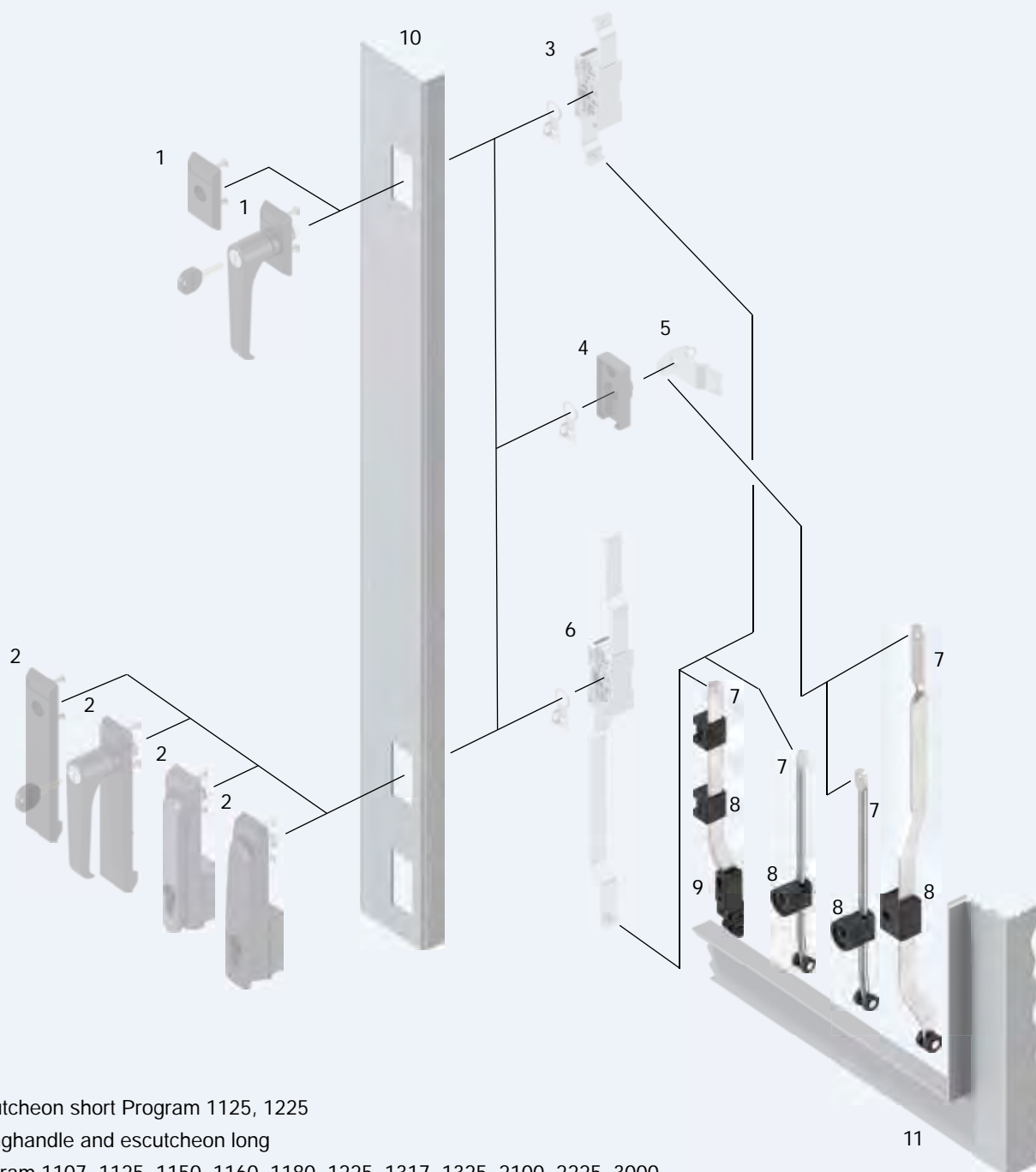
**3ZA-1240** 01/14  
 (3ZA-630)



# Rod

## inside the sealing

Program 1107, 1125, 1150, 1160, 1180,  
1225, 1317, 1325, 2100, 2225, 3000



- 1 Escutcheon short Program 1125, 1225
- 2 Swinghandle and escutcheon long  
Program 1107, 1125, 1150, 1160, 1180, 1225, 1317, 1325, 2100, 2225, 3000
- 3 Rod control
- 4 Bearing bush
- 5 Cam
- 6 Rod control
- 7 Rod (inside the sealing)
- 8 Rod guide
- 9 Guiding shoe
- 10 Door
- 11 Housing / Frame



# 3ZB-100

## Rods

PROGRAM 1107, 1125, 1150, 1180, 1225, 1317, 1325, 2100, 2225, 3000

**Application:**  
Program 1125, 1150,  
1225, 1325, 3000

- Rod control  
3YA-140  
(Version B) 3YA-160  
3YA-180  
3YA-240

**Program 1107, 1125, 1180,  
1225, 1317, 1325, 2100, 3000**

- Cam  
3YB-420  
3YB-440  
3YC-120

**Application:**  
Program 1125, 1150,  
1225, 1325, 3000

- Rod control  
3YA-140  
(Version B) 3YA-160  
3YA-180  
3YA-240

**Program 1107, 1125, 1180,  
1225, 1317, 1325, 2100, 3000**

- Cam  
3YB-420  
3YB-440  
3YC-120

**Application:**  
Program 1125, 1150,  
1225, 1325, 3000

- Rod control  
3YA-140  
(Version B) 3YA-160  
3YA-180  
3YA-240

**Program 1107, 1125, 1180,  
1225, 1317, 1325, 2100, 3000**

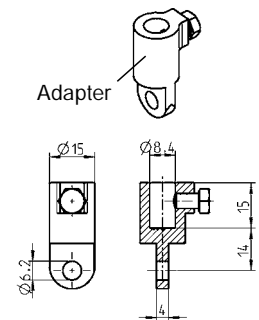
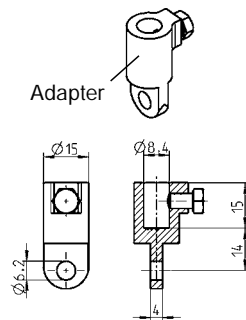
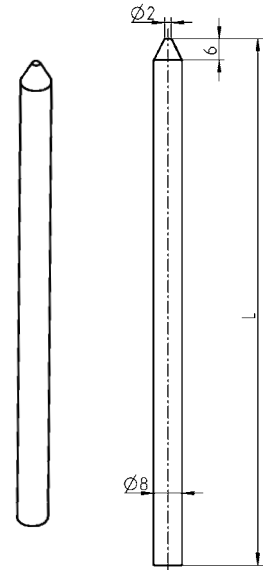
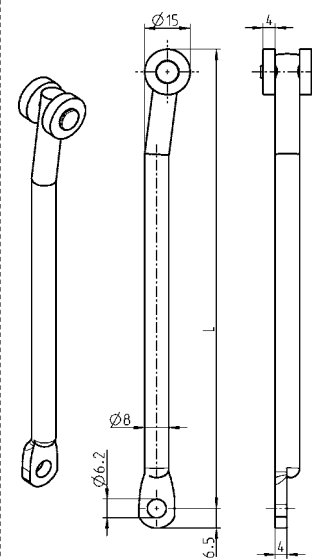
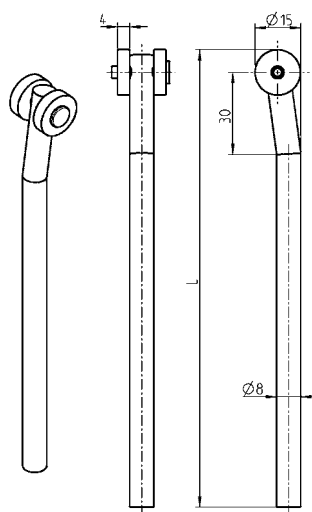
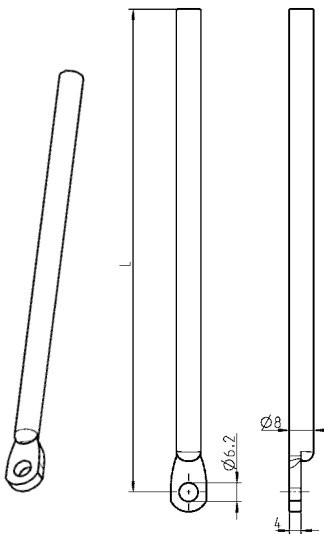
- Cam  
3YB-420  
3YB-440  
3YC-120

**Application:**  
Program 1125, 1150,  
1225, 1325, 3000

- Rod control  
3YA-140  
(Version B) 3YA-160  
3YA-180  
3YA-240

**Program 1107, 1125, 1180,  
1225, 1317, 1325, 2100, 3000**

- Cam  
3YB-420  
3YB-440  
3YC-120



Round rod m.s. zinc-plated  
or AISI 304 with roller  
polyamide black

L in mm	m.s. zinc-plated	AISI 304
600	1049-U3	1049-U12
700	1049-U4	1049-U13
800	1049-U5	1049-U14
900	1049-U6	1049-U15
1000	1049-U7	1049-U16
1100	1049-U8	1049-U17
1200	1049-U9	-
Adapter	zinc die m.s. zinc-plated	AISI 303
	1000-U49	1000-U141

Round rod with eye  
material of choice, rollers  
polyamide black  
m.s. zinc-plated  
for rod control

1121-U30-L mm  
(1121-U30-01 to -08  
see price list)

**m.s. zinc-plated for cam  
(eye turned by 90°)**

1000-U144-L mm  
(1000-U144-01 to -17  
see price list)

**AISI 304 for cam  
(eye turned by 90°)**

1000-U538-L mm  
(1000-U538-01 to -09  
see price list)

**Round rod with pointed end,  
m.s. zinc-plated**

1049-19-L mm

(1049-19-01 to -17  
see price list)

**Adapter zinc die m.s. zinc-plated**

1000-U49



**Minimum order quantity: 200 pieces**  
Smaller quantities on request!

**L ≤ 1200**

Order example: Order no. for a round rod with rollers and a length of 1034 mm = 1049-18-L 1034

**Application:**  
Program 1125, 1150,  
1225, 1325, 3000

- Rod control 3YA-140
- (Version B) 3YA-160
- 3YA-180
- 3YA-240

**Program 1107, 1125, 1180,  
1225, 1317, 1325, 2100, 3000**

- Cam 3YB-420
- 3YB-440
- 3YC-120

**Application:**  
Program 1125, 1150,  
1225, 1325, 3000

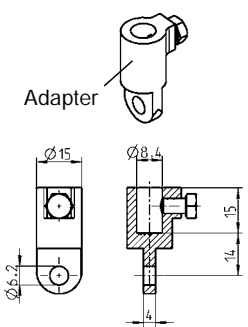
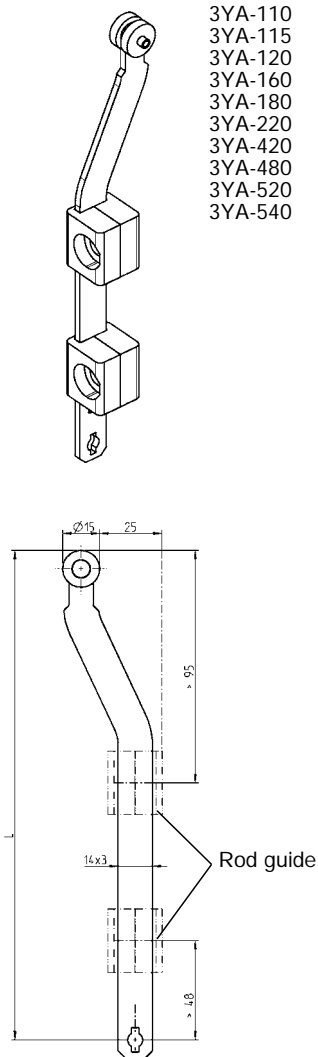
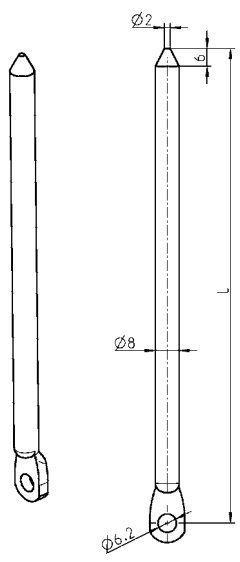
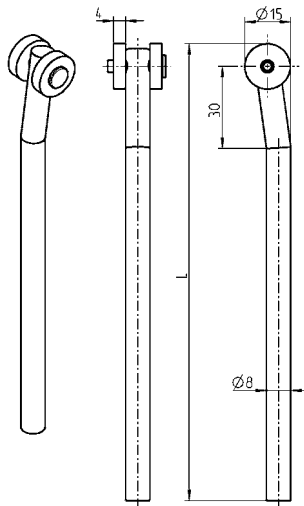
- Rod control 3YA-140
- (Version B) 3YA-160
- 3YA-180
- 3YA-240

**Program 1107, 1125, 1180,  
1225, 1317, 1325, 2100, 3000**

- Cam 3YB-420
- 3YB-440
- 3YC-120

**Application:**  
Program 1125, 1150, 1160,  
1180, 1225, 1325, 2100, 2225,  
3000

- Rod control 3D-120
- 3D-140
- 3E-120
- 3E-140
- 3YA-110
- 3YA-115
- 3YA-120
- 3YA-160
- 3YA-180
- 3YA-220
- 3YA-420
- 3YA-480
- 3YA-520
- 3YA-540



**Round rod m.s. zinc-plated,  
rollers polyamide black**

1049-U18-L mm  
(1049-U18-01 to -17  
see price list)

**Adapter zinc die  
m.s. zinc-plated**

1000-U49

**Round rod with eye  
and with pointed end  
m.s. zinc-plated**

1000-211-L mm  
(1000-211-01 to -17  
see price list)

**Flat rod m.s. zinc-plate,  
rollers polyamide black**

1121-U28-L mm  
(1121-U28-01 to -08  
see price list)

**Flat rod without bore hole  
L = 1007.5**

1121-U148



**Further parts see page**

Rod guide for flat rods 3ZC-120 to 3ZC-170  
for round rods 3ZC-210 3ZC-220



L ≤ 1200

Order sample:

Part no. of connecting rod m.s. zinc-plated for shoe with length of 1034 mm = 1000-XXX-L 1034

Minimum order quantity: 200 pieces

Smaller quantities on request!

Calculation of rod length L

$$L = \frac{X - Z}{2} + Y$$

Application:

Program 1107, 1125, 1150, 1180, 1225, 1317, 1325, 2100, 3000

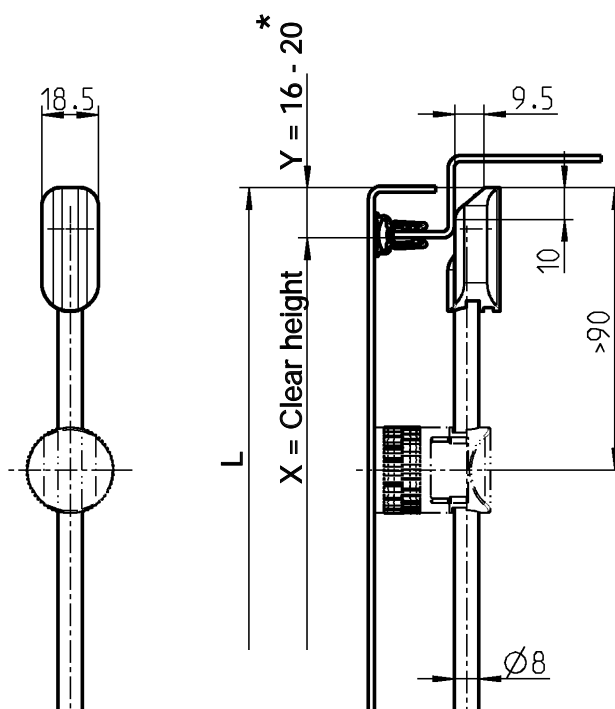
- Rod control

3YA-140; 3YA-160; 3YA-180; 3YA-240

- Cams

3YB-420; 3YB-440; 3YB-460; 3YC-120; 3YC-140; 3YC-180

\* Dimension Y depending on seal version



Z = Rod control length (e.g. dimension 400 on page 3YA-140)  
 Z = Cam gauge for rod holder (e.g. dimension 18 for 1107 or dimension 26 for 1000 on page 3YC-120)

Please indicate dimension L in the order

Further parts see page  
 - Rod guide

3ZC-210  
 3ZC-220

Round rod connection to rod control or cam and material of choice

	m.s. zinc-plated	AISI 304
	on request	on request
Shoe polyamide GF black		
		1000-526-AA

# Rod with shoe

## PROGRAM 1125 - 3000

Minimum order quantity: 200 pieces  
Smaller quantities on request!

$L \leq 1200$

Order sample:

Part no. of connecting rod m.s. zinc-plated for shoe complete with length of 1034 mm = 1121-U187-L 1034



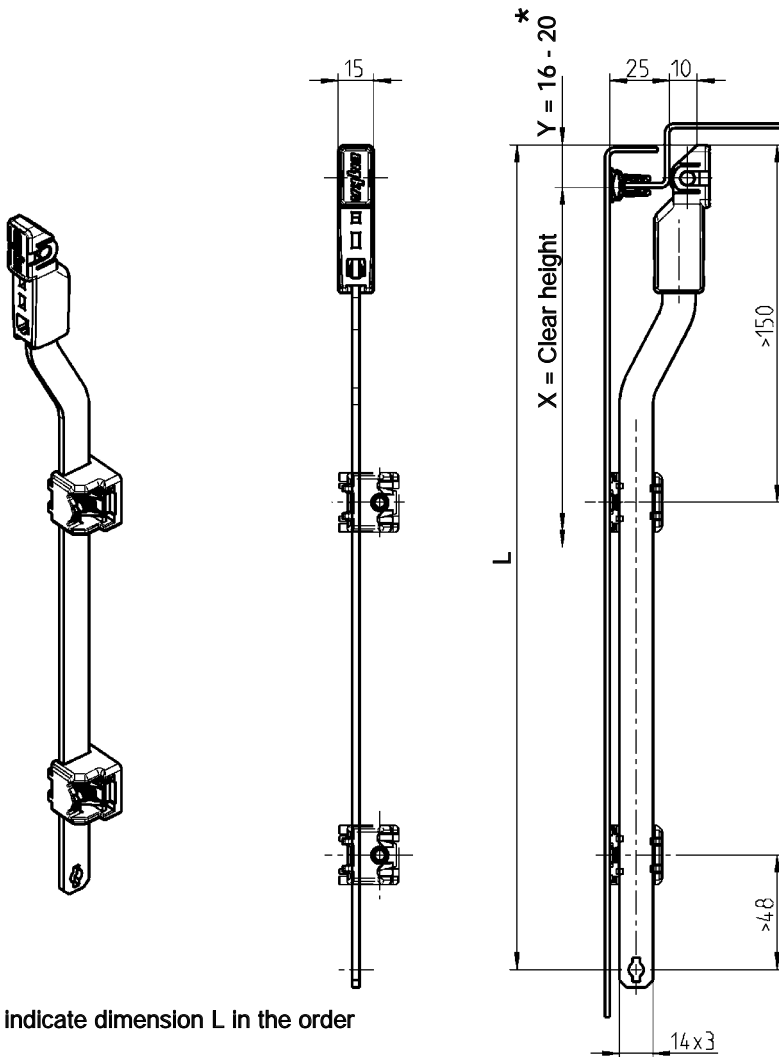
Calculation of rod length L

$$L = \frac{X - Z}{2} + Y$$

Application: Program 1125, 1150, 1160, 1180, 1225, 1325, 2100, 2225, 3000

- Rod control

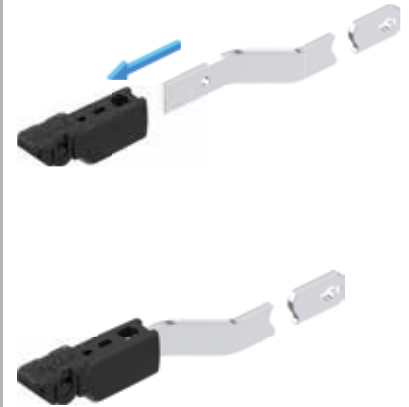
3D-120; 3D-140; 3E-140; 3J-120; 3YA-110, 3YA-115, 3YA-120; 3YA-160; 3YA-180; 3YA-220; 3YA-420; 3YA-480; 3YA-520; 3YA-540



Please indicate dimension L in the order

Z = Rod control length (e.g. dimension 347 on page 3YA-120)

\* Dimension Y depending on seal version



Rod with shoe completely mounted,  
flat rod material of choice,  
shoe polyamide GF black, roller polyamide black

m.s. zinc-plated

AISI 304

1121-U187-L mm

on request

(1121-U187-01 to -08 see price list)

Rod without bore holes with shoe ready mounted,  
flat rod without bore holes material of choice,  
shoe polyamide GF black, roller polyamide black

m.s. zinc-plated

AISI 304

$L + 7.5 = 1007.5$

1121-U189

on request

Further parts see page

- Rod guide

3ZC-120  
to 3ZC-170

Info

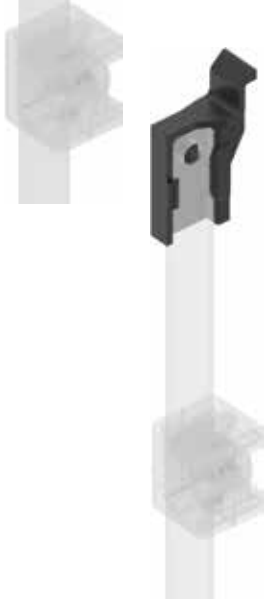
1 Quarter turns



2 Rod controls



3 Locking systems



4 Hinges

5 Seals

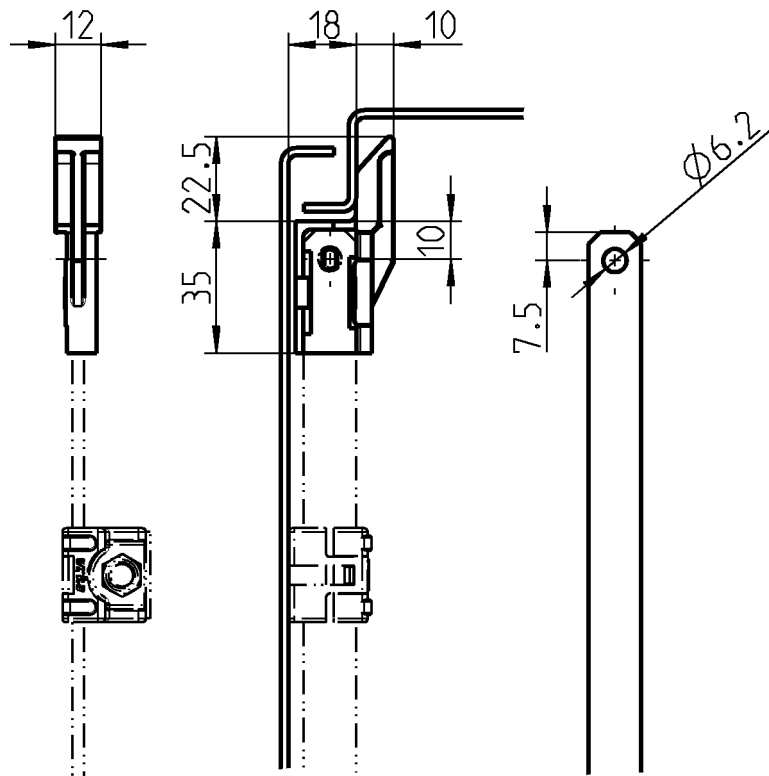
6 Handles

7 Aluminium windows

8 Miscellaneous

9 Special catalogues

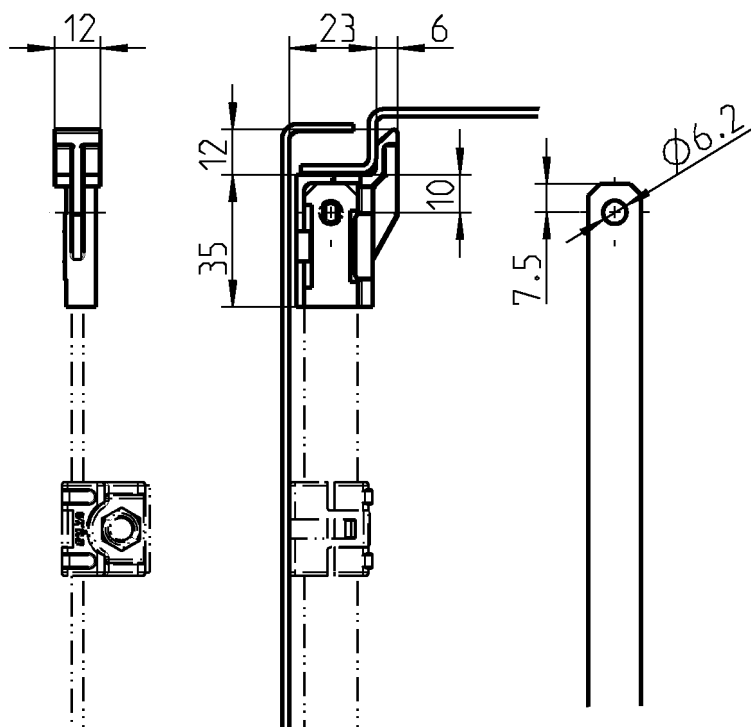
Index



Shoe polyamide GF black

Long version

1121-112



Shoe polyamide GF black

Short version

1121-113

#### Further parts see page

– Rod guide for flat rods  
3ZC-120  
to 3ZC-170

– Rod on request

#### Program 1125, 1150, 1160, 1180, 1225, 1325, 2100, 2225, 3000

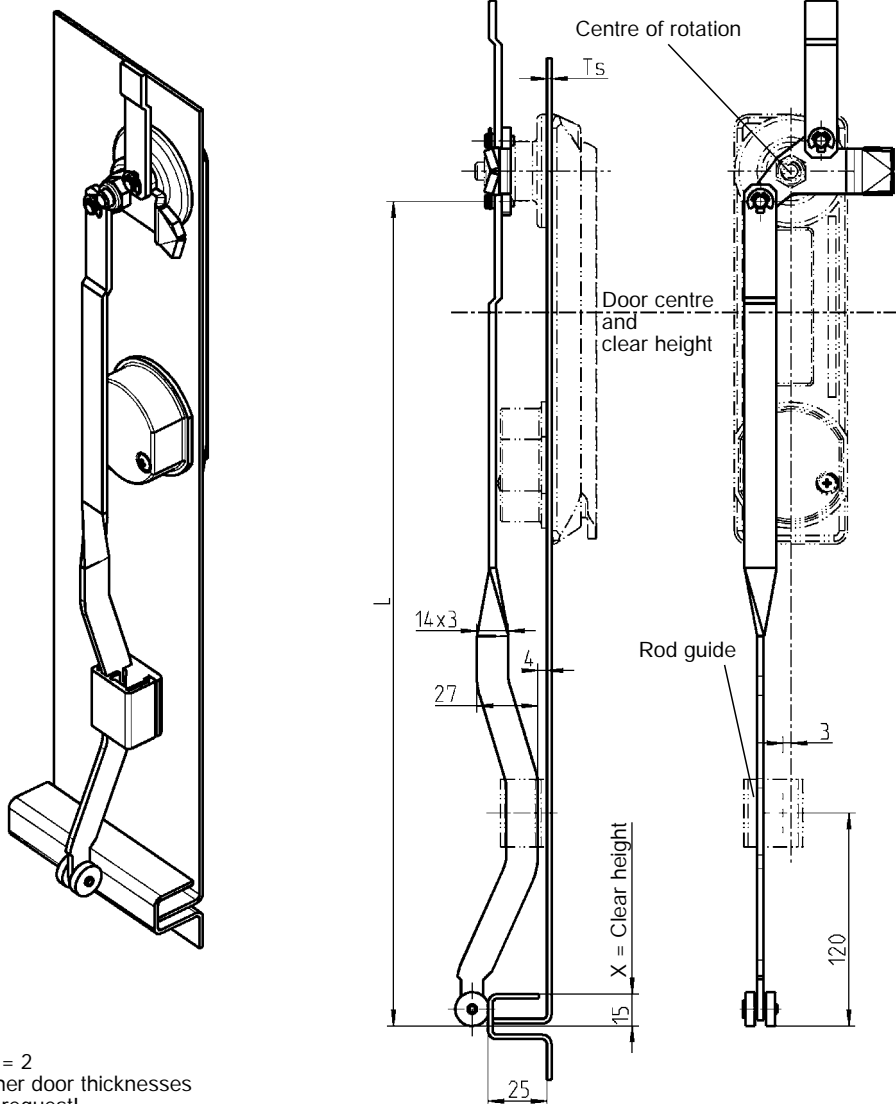
– Rod control  
3D-120  
3D-140  
3E-120  
3E-140  
3YA-110  
3YA-115  
3YA-120  
3YA-160  
3YA-180  
3YA-220  
3YA-420  
3YA-480  
3YA-520  
3YA-540

# Rod for cam, stroke 26 mm

## PROGRAM 1107, 1317

Minimum order quantity: 200 pieces  
Smaller quantities on request

Calculation of rod length L		Swinghandle	
		long	short
Upper rod	$L = \frac{X}{2}$	- 63	- 50.5
Lower rod	$L = \frac{X}{2}$	+ 67	+ 54.5
Pivot point centre door, top and bottom same rod length	$L = \frac{X}{2} + 2$		



Ts = 2  
Other door thicknesses on request!



**Note:**  
Swinghandle with cut out  
Hole distance  
130 mm = long  
105 mm = short

**Further parts see page**  
– Rod guide 3ZC-120 to 3ZC-170

**Program 1107, 1317**  
– Cam with stroke 26 3YC-120

Flat rod m.s. zinc-plated, rollers polyamide black

1121-U144-L mm  
(1121-U144-01 to -08  
see price list)

### Rod for cam with stroke 26 mm PROGRAM 1125, 1225, 1325, 3000

Info

1 Quarter turns

2 Rod controls

3 Locking systems

4 Hinges

5 Seals

6 Handles

7 Aluminium windows

8 Miscellaneous

9 Special catalogues

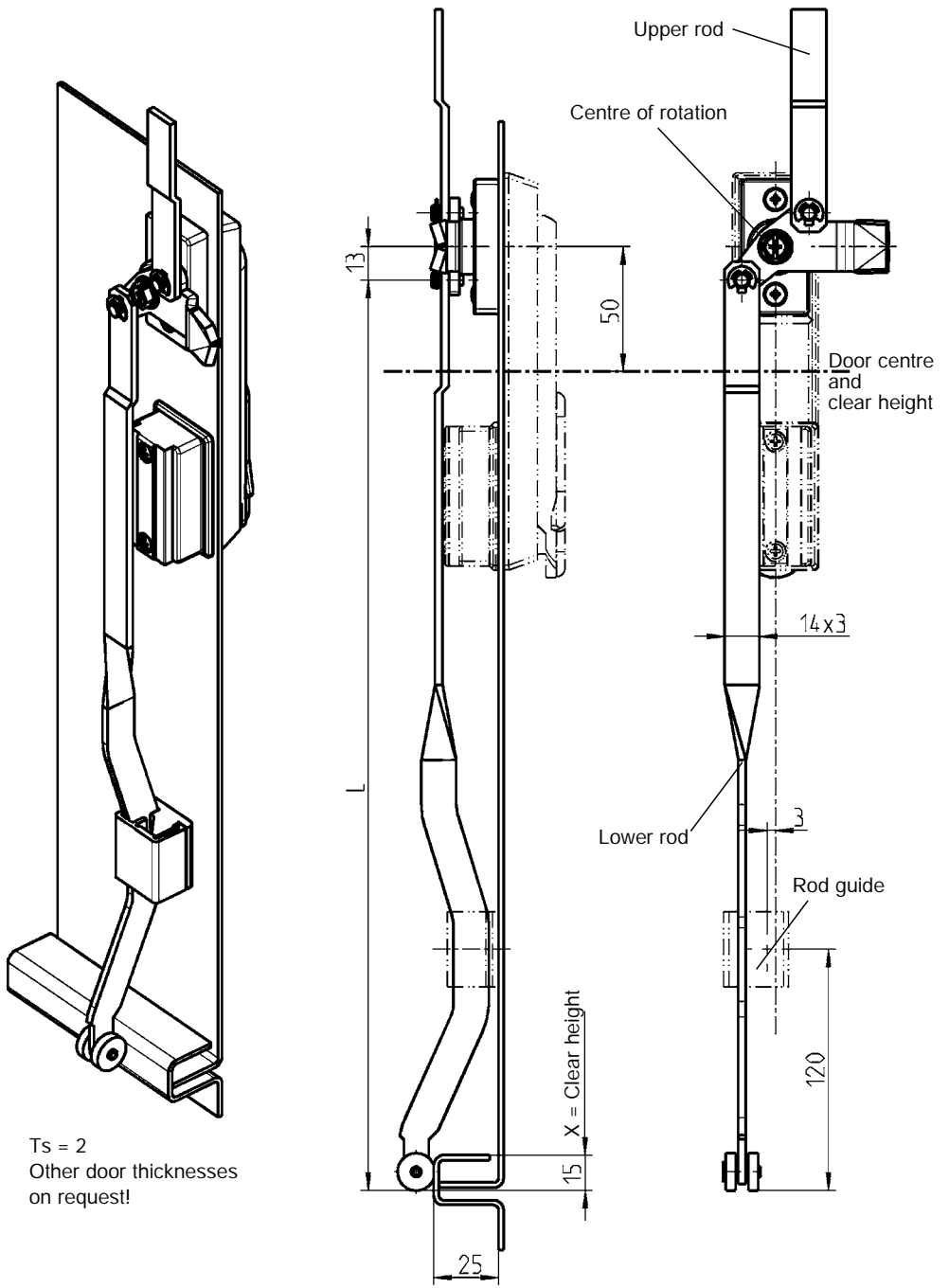
Index



**Minimum order quantity: 200 pieces**  
Smaller quantities on request

**Calculation of rod length L**

Upper rod	$L = \frac{X}{2} - 48$
Lower rod	$L = \frac{X}{2} + 52$
Pivot point centre door, top and bottom same rod length	$L = \frac{X}{2} + 2$



Ts = 2  
Other door thicknesses on request!

**Further parts see page**  
– Rod guide 3ZC-120 to 3ZC-170  
**Program 1125, 1225, 1325, 3000**  
– Cam with stroke 26 3YB-420

**Flat rod m.s. zinc-plated, rollers polyamide black**

1121-U144-L mm  
(1121-U144-01 to -08 see price list)



# Rod for cam with stroke 26 mm

## PROGRAM 1125

Minimum order quantity: 200 pieces

Smaller quantities on request

### Calculation of rod length L

Upper rod	$L = \frac{X}{2} - 70.5$
-----------	--------------------------

Lower rod	$L = \frac{X}{2} + 74.5$
-----------	--------------------------

Pivot point centre door, top and bottom same rod length	$L = \frac{X}{2} + 2$
---	-----------------------



1 Quarter turns

2 Rod controls

3 Locking systems

4 Hinges

5 Seals

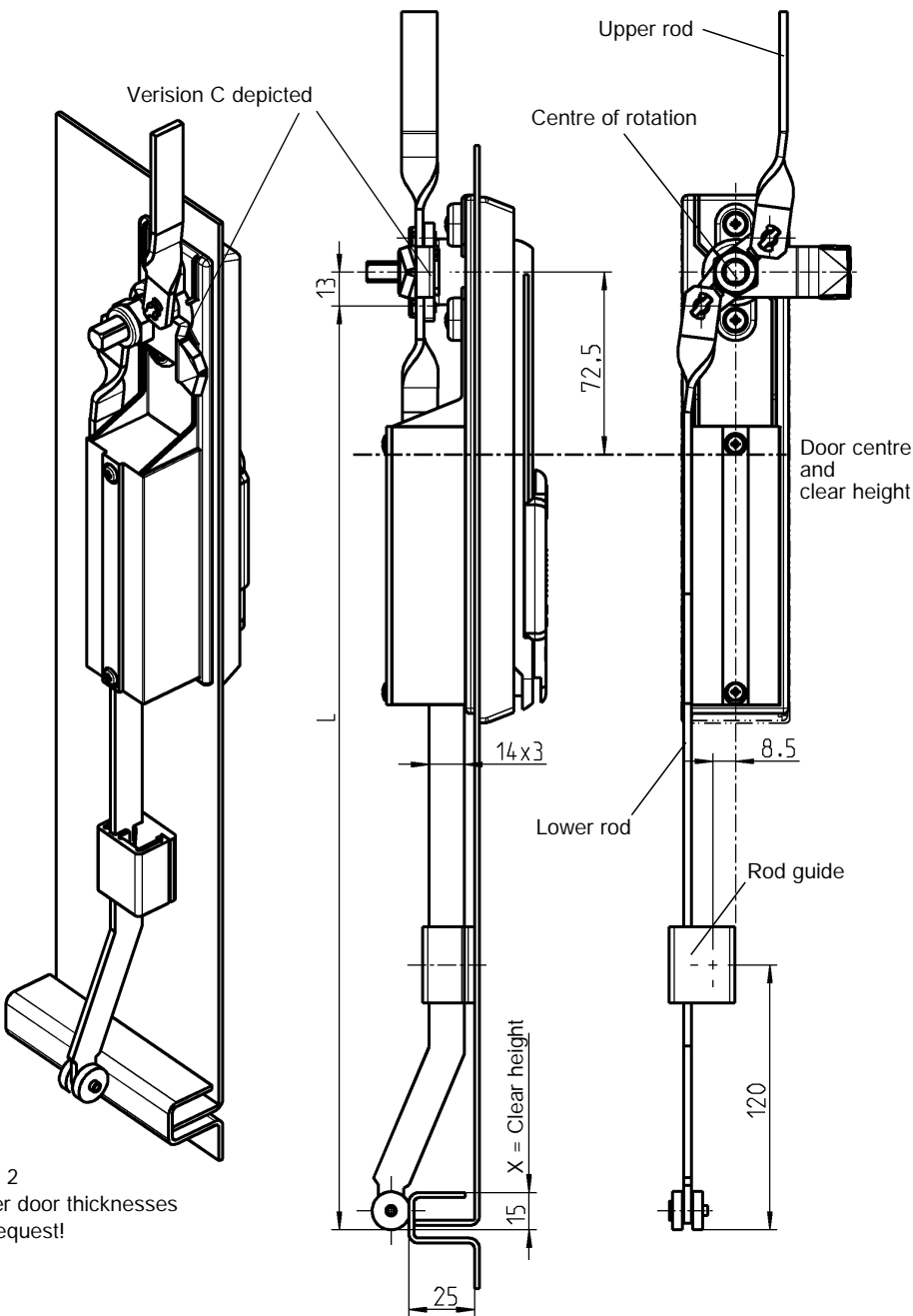
6 Handles

7 Aluminium windows

8 Miscellaneous

9 Special catalogues

Index



Ts = 2  
Other door thicknesses on request!



### Flat rod m.s. zinc-plated, rollers polyamide black

Left	1121-U146-L mm	(1121-U146-01 to -08)
Right (depicted)	1121-U147-L mm	(1121-U147-01 to -08)
	see price list	

### Further parts see page

- Rod guide 3ZC-120 to 3ZC-170

### Program 1125

- Cam with stroke 26 3YC-120 to 3YC-140



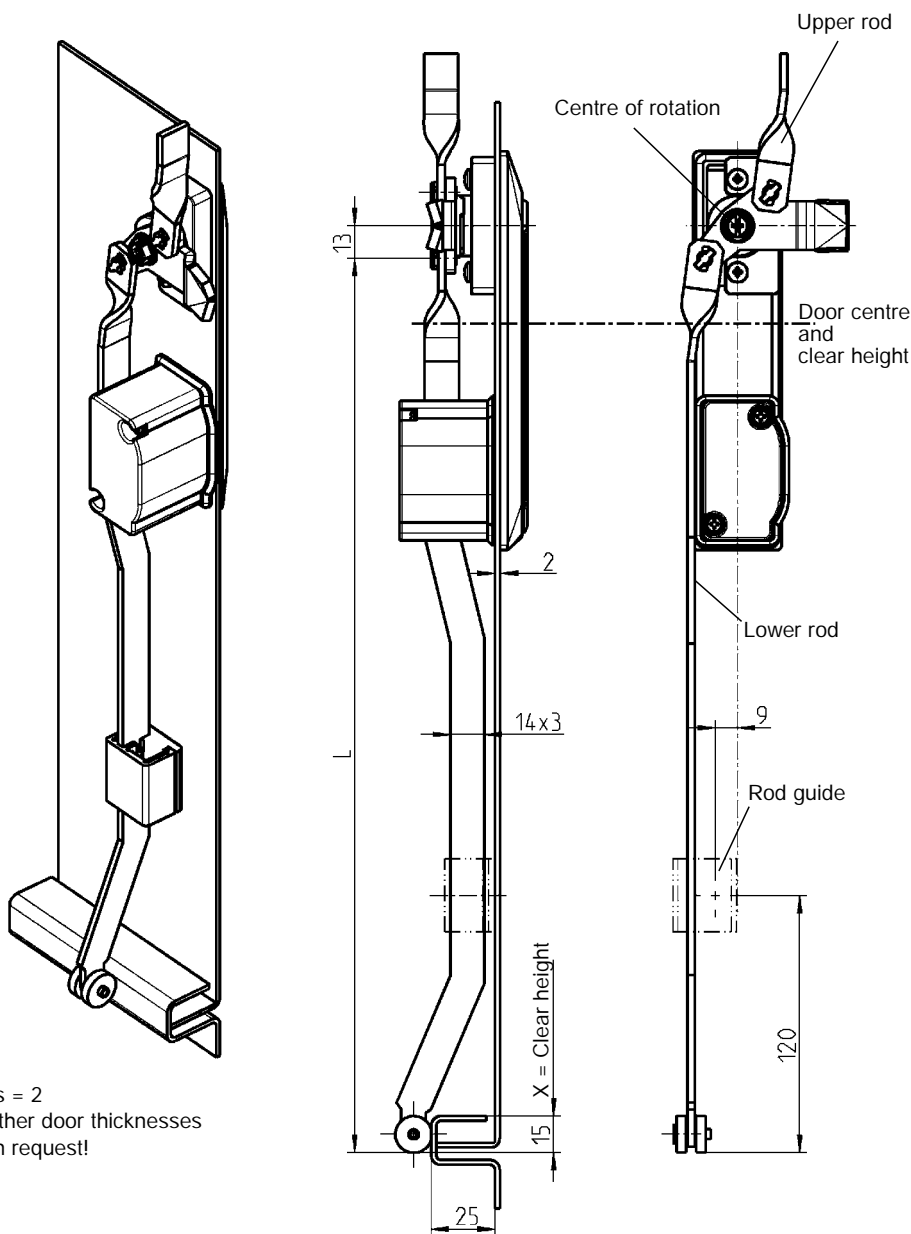
# Rod for cam with stroke 26 mm

## PROGRAM 1150, 2225

Minimum order quantity: 200 pieces  
Smaller quantities on request

Swinghandle  
see note

Calculation of rod length L:	Version	A	B	C
Upper rod	$L = \frac{X}{2}$	- 48	- 54	- 70.5
Lower rod	$L = \frac{X}{2}$	+ 52	+ 58	+ 74.5
Pivot point centre door, top and bottom same rod length	$L = \frac{X}{2} + 2$			



Ts = 2  
Other door thicknesses  
on request!



**Note:**  
Calculation of the connection rod  
version A,B or C suitable for  
- Swinghandle 1154 3C-220 = A  
- Swinghandle 1153 3C-320 = A  
- Swinghandle 1154 3C-260 = B  
- Swinghandle 1154 3C-280 = C  
- Swinghandle 1151 3C-420 = C  
- Swinghandle 2225 3J-120 = A

**Further parts see page**  
- Rod guide 3ZC-120  
to 3ZC-170

**Program 1150**  
- Cam with stroke 26 3YC-120  
3YC-140

Flat rod m.s. zinc-plated, rollers polyamide black

Left	1121-U146-L mm	(1121-U146-01 to -08)
Right (depicted)	1121-U147-L mm	(1121-U147-01 to -08)
		see price list

# Rod for cam with stroke 26 mm

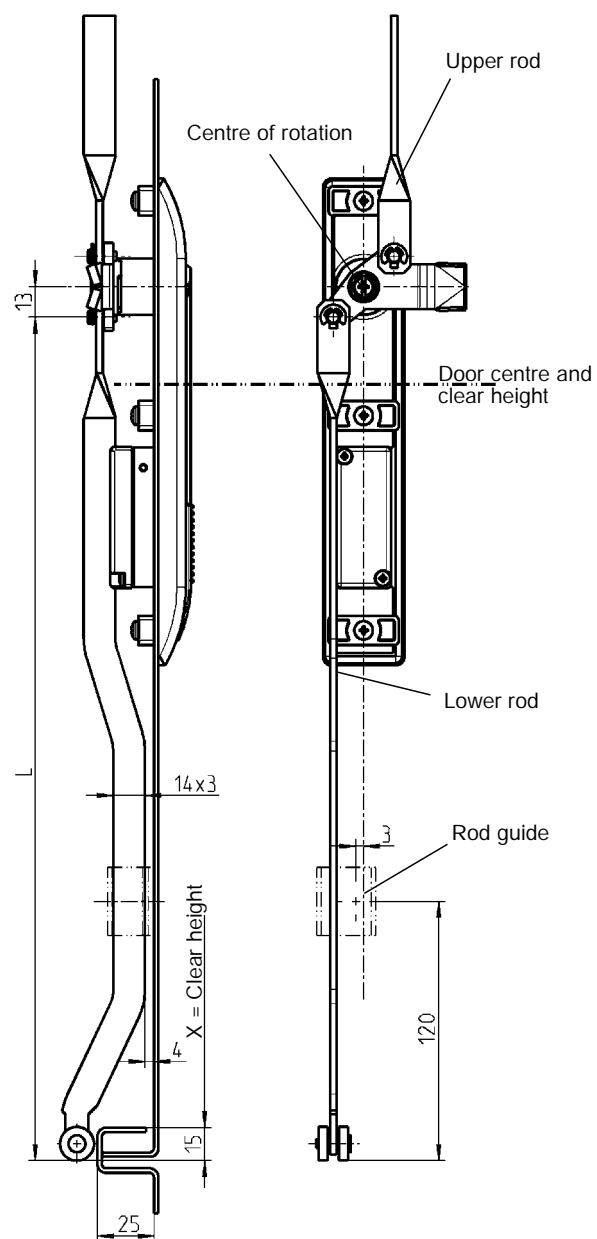
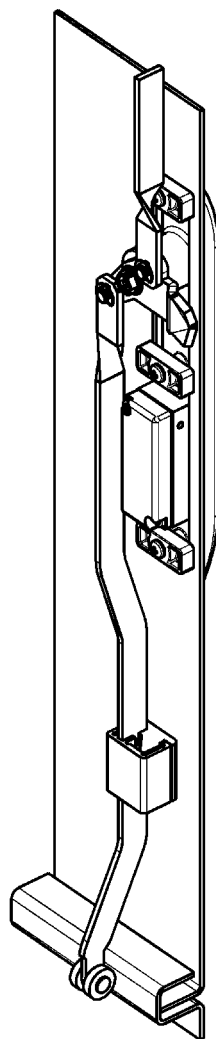
## PROGRAM 1180

Minimum order quantity: 200 pieces  
Smaller quantities on request

Swinghandle  
see note

### Calculation of rod length L:

	Version	A	B
Upper rod	$L = \frac{X}{2}$	- 55	- 70.5
Lower rod	$L = \frac{X}{2}$	+ 59	+ 74.5
Pivot point centre door, top and bottom same rod length	$L = \frac{X}{2} + 2$		



Ts = 2  
Other door thicknesses  
on request!

**Note:**  
Calculation of the connection rod  
version A or B suitable for  
- Swinghandle 1180 3E-320 = A  
- Swinghandle 1185 3E-520 = B

**Further parts see page**  
- Rod guide 3ZC-120  
to 3ZC-170

**Program 1180**  
- Cam with stroke 26 3YC-120  
3YC-140

Flat rod m.s. zinc-plated, rollers polyamide black

1121-U145-L mm  
(1121-U145-01 to -08  
see price list)

# Rod for cam with stroke 26 mm

## PROGRAM 1225

Minimum order quantity: 200 pieces

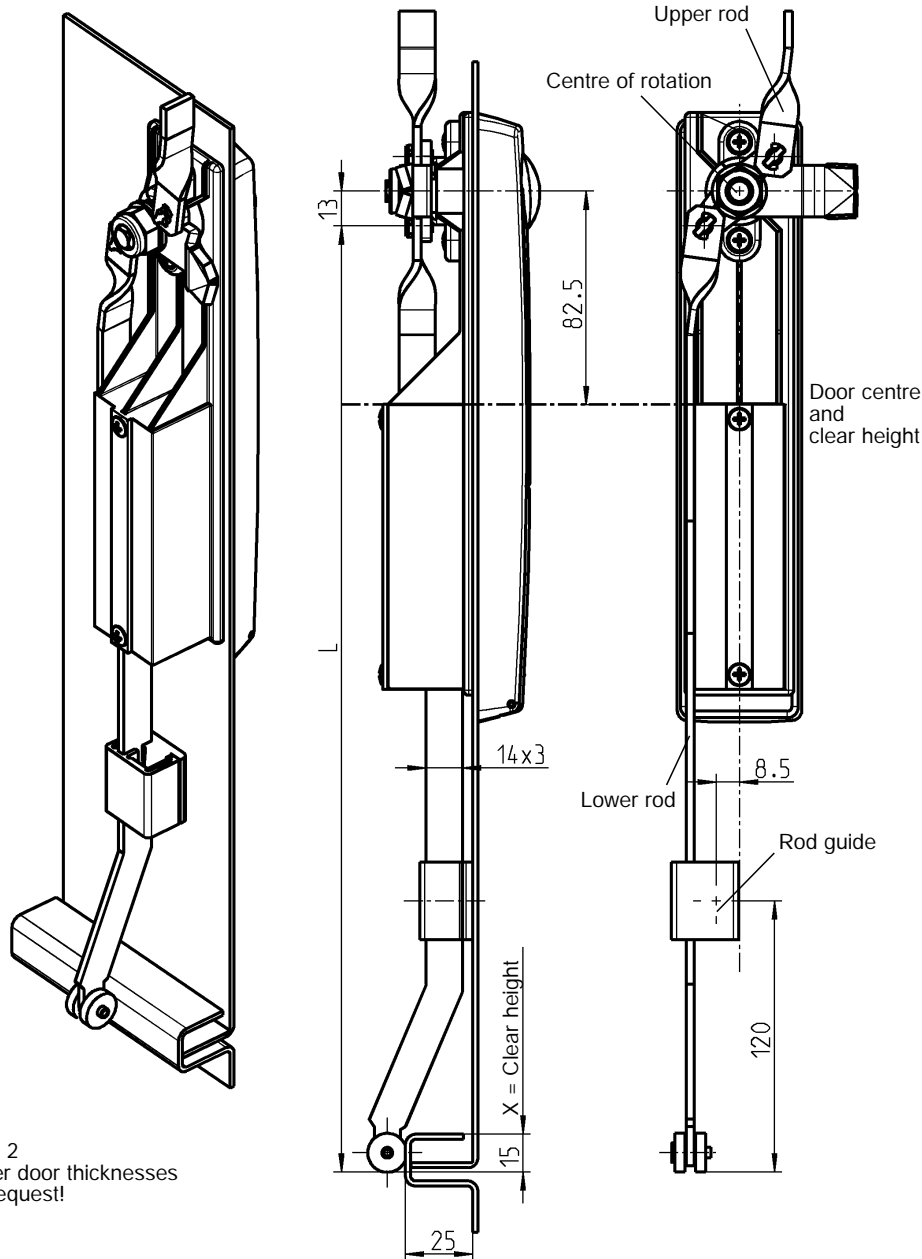
Smaller quantities on request

#### Calculation of rod length L

Upper rod	$L = \frac{X}{2} - 80.5$
-----------	--------------------------

Lower rod	$L = \frac{X}{2} + 84.5$
-----------	--------------------------

Pivot point centre door, top and bottom same rod length	$L = \frac{X}{2} + 2$
---	-----------------------



Ts = 2  
Other door thicknesses on request!

Flat rod m.s. zinc-plated, rollers polyamide black		
Left	1121-U146-L mm	(1121-U146-01 to -08)
Right (depicted)	1121-U147-L mm	(1121-U147-01 to -08)
see price list		

Further parts see page  
 – Rod guide 3ZC-120 to 3ZC-170  
**Program 1225**  
 – Cam with stroke 26 3YC-140

### Rod for cam with stroke 26 mm PROGRAM 2100

Minimum order quantity: 200 pieces

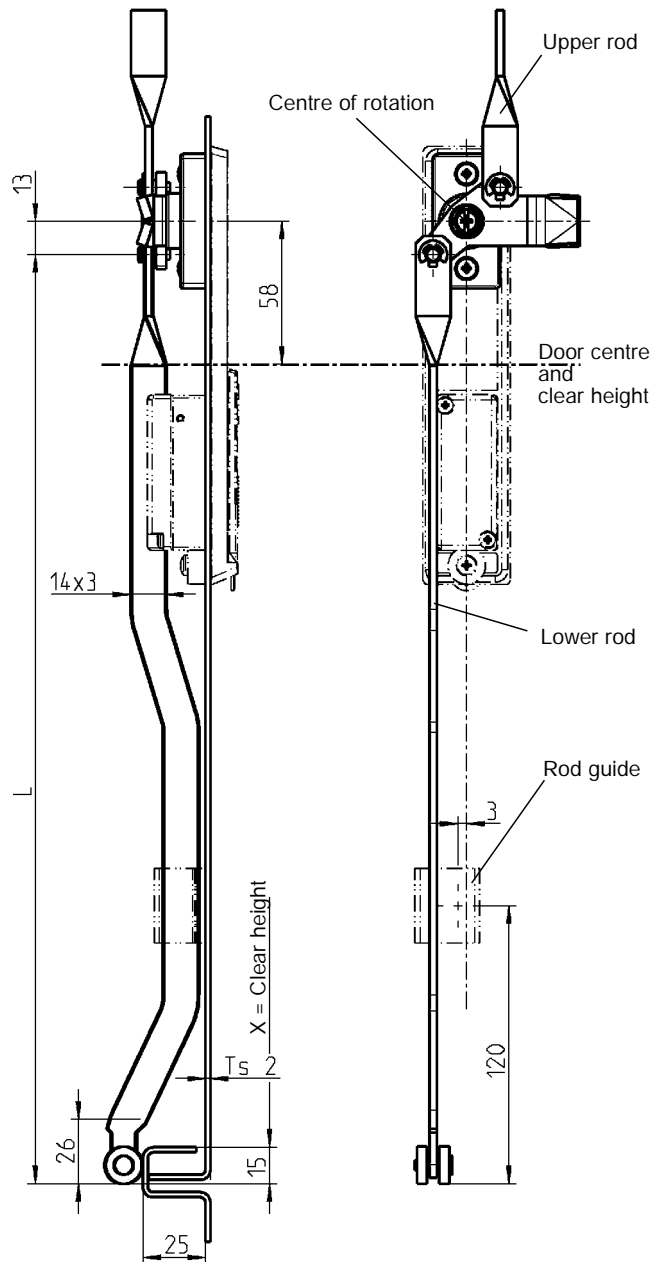
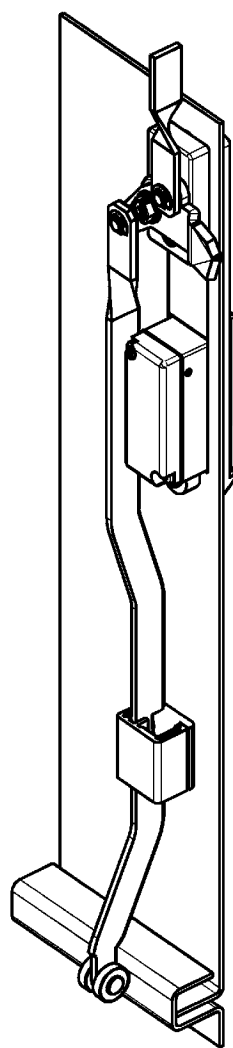
Smaller quantities on request

#### Calculation of rod length L

Upper rod	$L = \frac{X}{2} - 56$
-----------	------------------------

Lower rod	$L = \frac{X}{2} + 60$
-----------	------------------------

Pivot point centre door, top and bottom same rod length	$L = \frac{X}{2} + 2$
---	-----------------------



Ts = 2  
Other door thicknesses on request!

Further parts see page

– Rod guide 3ZC-120 to 3ZC-170

Program 2100

– Cam with stroke 26 3YB-420

Flat rod m.s. zinc-plated, rollers polyamide black

1121-U145-L mm

(1121-U145-01 to -08 see price list)

# Rod guide

Program 1107, 1125, 1150, 1160, 1180,  
1190, 1225, 1317, 1325, 2100, 2400, 3000



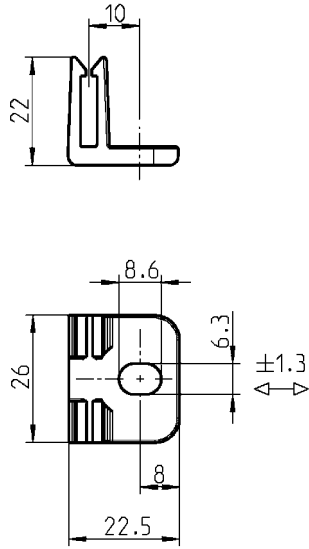
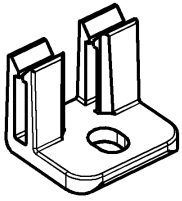
- 1 for flat rod 3 x 14, flat rod is clipped in
- 2 for flat rod 3 x 14, cover is clipped in
- 3 for flat rod 3 x 14, rod guide can be pre-assembled on rod
- 4 for flat rod 3 x 14, rod guide made of stainless steel
- 5 for flat rod 3 x 14, rod guide clip-in and flat rod will be clipped in
- 6 for flat rod 3 x 14, rod guide is clipped on and flat rod is clipped in
- 7 for round rod  $\varnothing 8$
- 8 for round rod  $\varnothing 8$ , bottom part of rod guide is pre-assembled
- 9 for round rod  $\varnothing 8$ , rod guide is plugged on and screwed tight



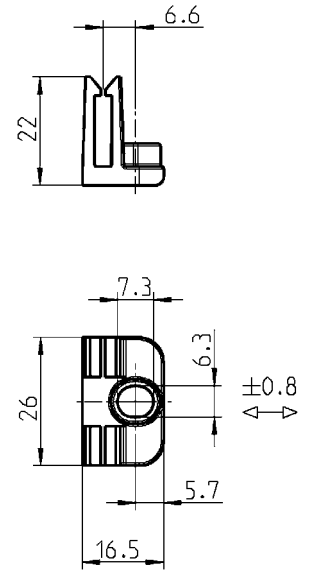
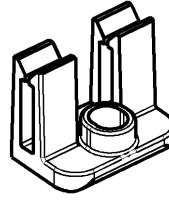
**3ZC-100**

# Rod guide for flat rod 3x14

PROGRAM 1107 - 3000



Flat rod will clip-in



Flat rod will clip-in

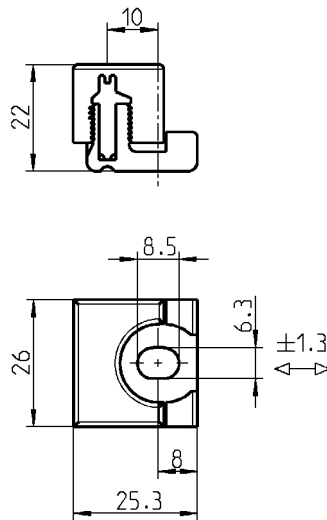
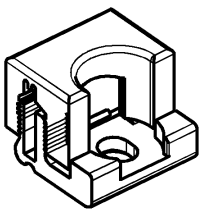
For small bending area!

Rod guide polyamide colour of choice for weld stud M6x12

black	1121-89
silver grey metallic	1121-89-CX

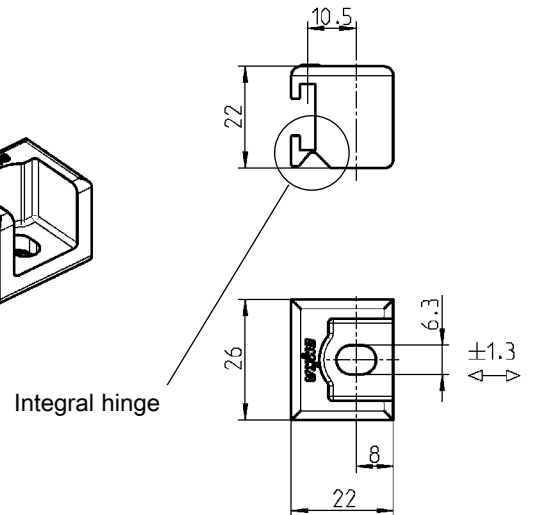
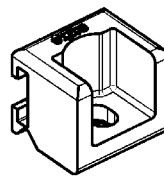
Rod guide polyamide black for rivet nut Ø 6x8-M4 and oval head screw DIN 7045 M4x6

	1121-89-11
--	------------



Pre-assembly of the bottom part possible!

Cover will clip-on!



Rod guide can be pre-assembled on flat rod!

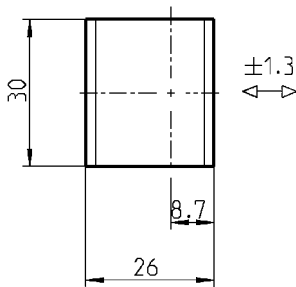
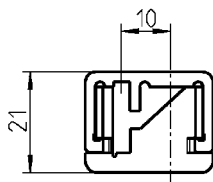
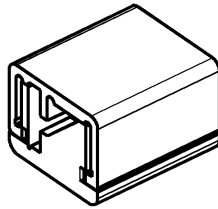
Rod guide polyamide black for weld stud M6x12

1121-U91

Rod guide polyamide black for weld stud M6x10, M6x12 or M6x16

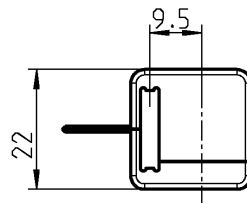
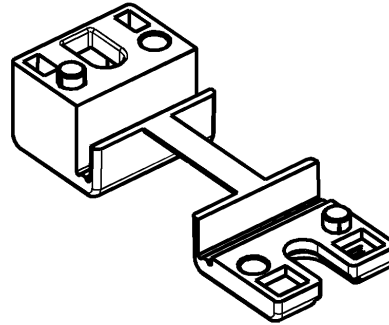
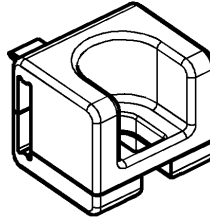
1121-19



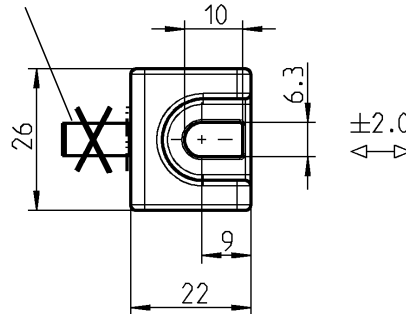


Pre-assembly of the bottom part possible!

Cover will clip-on!



Tab can be removed



Rod guide can be pre-assembled on flat rod!

Rod guide polyamide black  
for weld stud M6x12

1121-U151

Rod guide polyamide black  
for weld stud M6x16 or M6x20

1121-19-N

Further parts see page

Program 1107, 1317

– Rods 3ZB-320

Program 1125, 1225, 1325

– Rods 3ZA-120

to 3ZA-340

3ZB-120

to 3ZB-220

3ZB-420

(only for 1125)

3ZB-440

(only for 1225)

3ZB-720

Program 1150

– Rods 3ZA-120

to 3ZA-340

3ZB-120

to 3ZB-220

3ZB-520

3ZB-540

Program 1160

– Rods 3ZA-120

to 3ZA-420

3ZB-120

to 3ZB-220

Program 1180

– Rods 3ZA-120

to 3ZA-340

3ZA-520

3ZB-120

to 3ZB-220

3ZB-620

Program 1190

– Rods 3ZA-120

to 3ZA-340

Program 2100

– Rods 3ZA-120

to 3ZA-340

3ZB-120

to 3ZB-220

3ZB-820

Program 2400

– Rods 3ZA-820

Program 3000

– Rods 3ZA-120

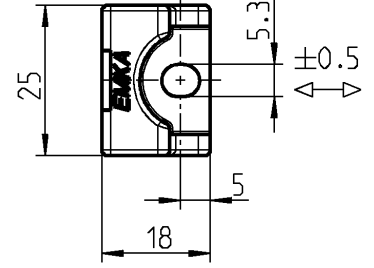
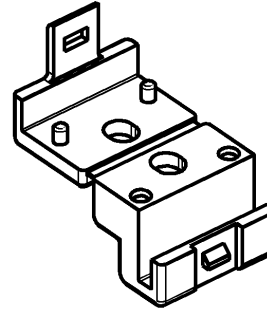
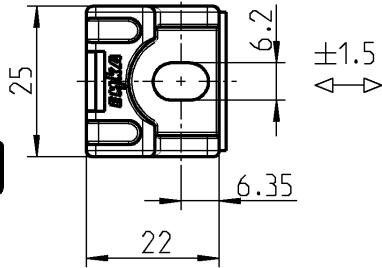
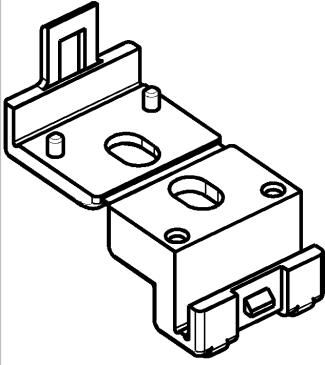
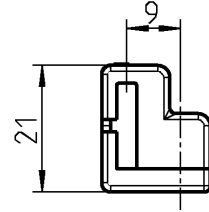
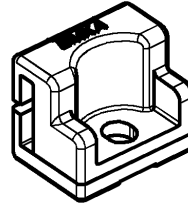
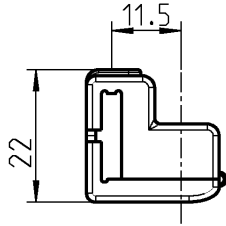
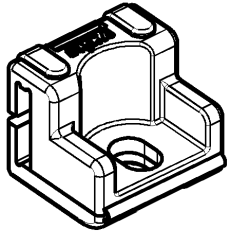
to 3ZA-340

3ZB-120

to 3ZB-220

# Rod guide for flat rod 3x14

PROGRAM 1107, 1125, 1150, 1160, 1180, 1190, 1225, 1325, 2100, 2300 - 3000



Rod guide can be pre-assembled on flat rod!

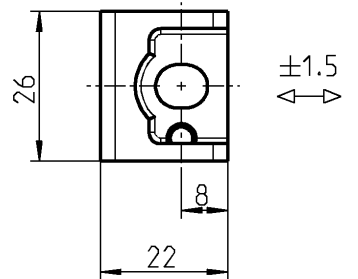
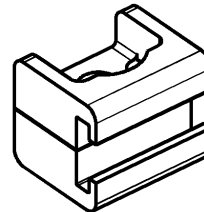
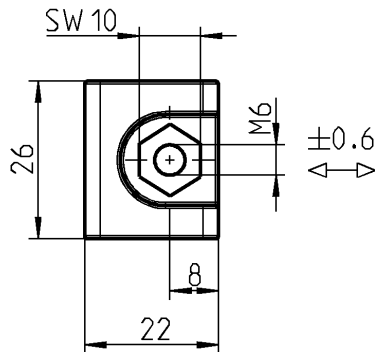
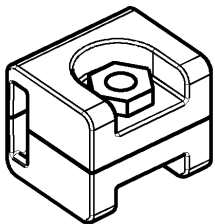
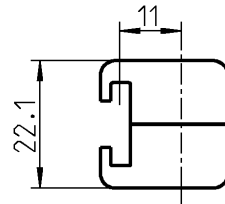
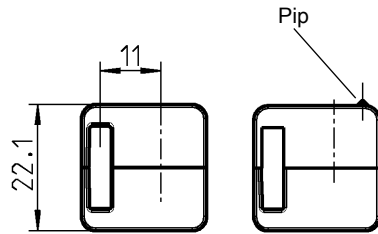
Rod guide can be pre-assembled on flat rod!

Rod guide polyamide black for weld stud M6x12

Rod guide polyamide black for weld stud M5x12

1121-109

1121-106



Rod guide can be pre-assembled on flat rod!

Rod guide can be pre-assembled on flat rod!

Pips avoid 'door rattling'

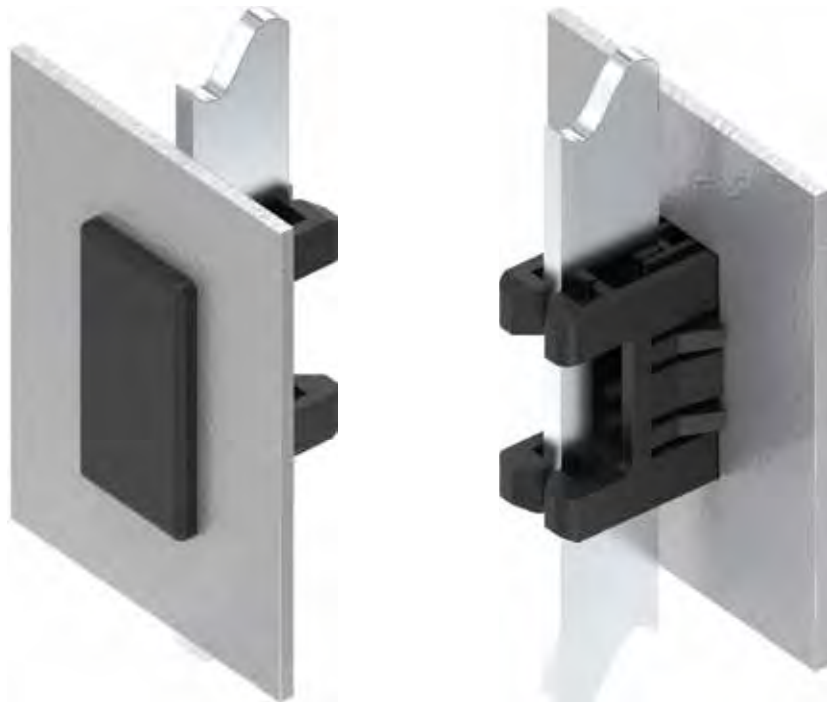
Rod guide polyamide black, safety nut m.s. zinc-plated for weld studs or countersunk screw M6x16 or M6x20

Rod guide AISI 316 for weld studs or countersunk screw M6x20

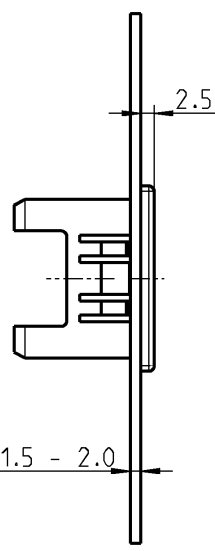
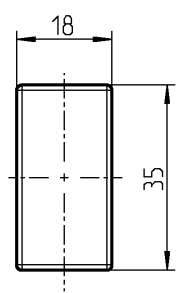
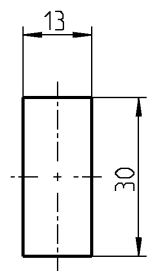
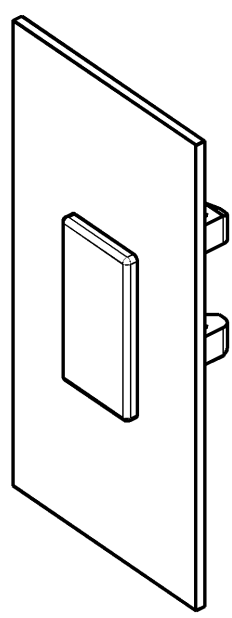
without pip 1121-U71-N

with pip 1121-U74-N

1121-U71-PH



**+ ADVANTAGE**  
The fastest assembly without weld studs



Rod guide will clip-in through the cut out in the door!  
Flat rod will clip-in



Further parts see page

<b>Program 1107, 1317</b>	
- Rods	3ZB-320
<b>Program 1125, 1225, 1325</b>	
- Rods	3ZA-120
	to 3ZA-340
	3ZB-120
	to 3ZB-220
	3ZB-420
(only for 1125)	3ZB-440
(only for 1225)	3ZB-720
<b>Program 1150</b>	
- Rods	3ZA-120
	to 3ZA-340
	3ZB-120
	to 3ZB-220
	3ZB-520
	3ZB-540
<b>Program 1160</b>	
- Rods	3ZA-120
	to 3ZA-420
	3ZB-120
	to 3ZB-220
<b>Program 1180</b>	
- Rods	3ZA-120
	to 3ZA-340
	3ZA-520
	3ZB-120
	to 3ZB-220
	3ZB-620
<b>Program 1190</b>	
- Rods	3ZA-120
	to 3ZA-340
<b>Program 2100</b>	
- Rods	3ZA-120
	to 3ZA-340
	3ZB-120
	to 3ZB-220
	3ZB-820
<b>Program 2400</b>	
- Rods	3ZA-820
<b>Program 3000</b>	
- Rods	3ZA-120
	to 3ZA-340
	3ZB-120
	to 3ZB-220

Rod guide polyamide black

2300-04

Info

1 Quarter turns



2 Rod controls



3 Locking systems



4 Hinges

Further parts see page

**Program 1107, 1317**  
– Rods 3ZB-320

**Program 1125, 1225, 1325**  
– Rods 3ZA-120  
to 3ZA-340  
3ZB-120  
to 3ZB-220  
3ZB-420  
3ZB-440  
(only for 1125)  
(only for 1225) 3ZB-720

5 Seals

**Program 1150**  
– Rods 3ZA-120  
to 3ZA-340  
3ZB-120  
to 3ZB-220  
3ZB-520  
3ZB-540

6 Handles

**Program 1160**  
– Rods 3ZA-120  
to 3ZA-420  
3ZB-120  
to 3ZB-220

7 Aluminium windows

**Program 1180**  
– Rods 3ZA-120  
to 3ZA-340  
3ZA-520  
3ZB-120  
to 3ZB-220  
3ZB-620

8 Miscellaneous

**Program 1190**  
– Rods 3ZA-120  
to 3ZA-340

**Program 2100**  
– Rods 3ZA-120  
to 3ZA-340  
3ZB-120  
to 3ZB-220  
3ZB-820

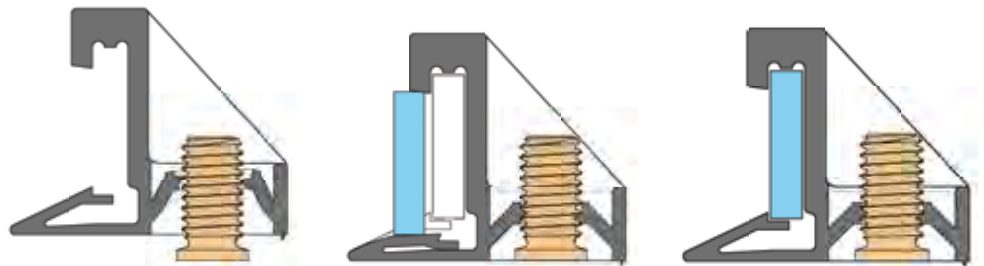
9 Special catalogues

**Program 2400**  
– Rods 3ZA-820

**Program 3000**  
– Rods 3ZA-120  
to 3ZA-340  
3ZB-120  
to 3ZB-220

Pull-out force:  $F_{max.} = 350 \text{ N}$   
Application force: Typical value  $F \approx 135 \text{ N}$

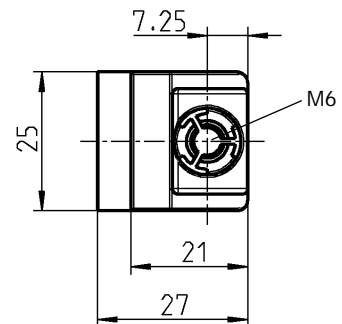
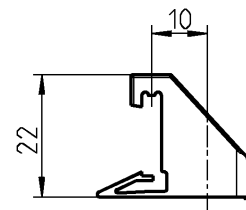
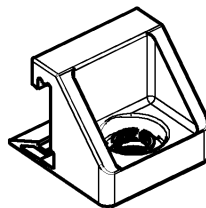
These values refer to threads with surface raw or zinc-plated and grease-free.



1. Mounting the rod guide on the weld stud

2. Mounting the flat rod into the rod guide

3. Rod guide ready mounted



Rod guide clip-in plastic black  
for weld stud M6x10 or M6x12

1121-127

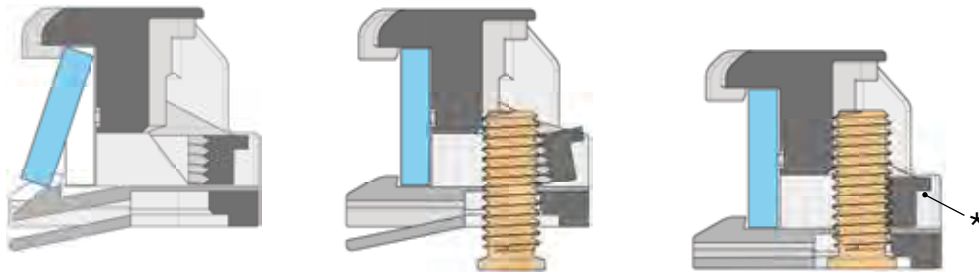
Index

# Rod guide clip-in for flat rod 3x14

## PROGRAM 1107 - 3000

Pull-out force:  $F_{max.} = 650 \text{ N}$   
 Application force: Typical value  $F = \text{very low}$

These values refer to threads with a grease-free surface.

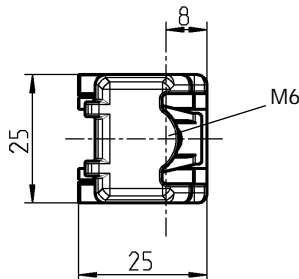
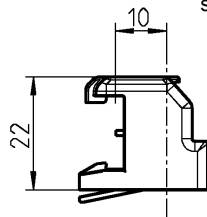
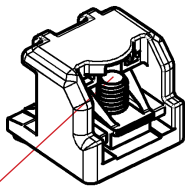


1. Mounting the flat rod into the rod guide

2. Mounting the rod guide on the weld stud

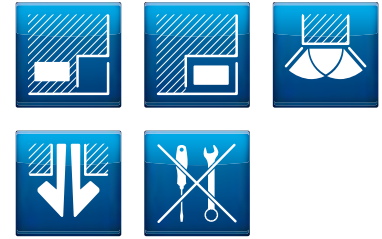
3. Rod guide ready mounted

\* Tab must be lifted for disassembly



### + ADVANTAGE

The rod guide can also be clipped in in case of powder-coated weld studs and still provides a high pull-out force!



Further parts see page

Program 1107, 1317  
 – Rods 3ZB-320

Program 1125, 1225, 1325  
 – Rods 3ZA-120 to 3ZA-340  
 3ZB-120 to 3ZB-220  
 3ZB-420  
 (only for 1125) 3ZB-440  
 (only for 1225) 3ZB-720

Program 1150  
 – Rods 3ZA-120 to 3ZA-340  
 3ZB-120 to 3ZB-220  
 3ZB-520  
 3ZB-540

Program 1160  
 – Rods 3ZA-120 to 3ZA-420  
 3ZB-120 to 3ZB-220

Program 1180  
 – Rods 3ZA-120 to 3ZA-340  
 3ZA-520  
 3ZB-120 to 3ZB-220  
 3ZB-620

Program 1190  
 – Rods 3ZA-120 to 3ZA-340

Program 2100  
 – Rods 3ZA-120 to 3ZA-340  
 3ZB-120 to 3ZB-220  
 3ZB-820

Program 2400  
 – Rods 3ZA-820

Program 3000  
 – Rods 3ZA-120 to 3ZA-340  
 3ZB-120 to 3ZB-220

Rod guide clip-in polyamide black for weld stud M6x16 or M6x20

1121-135

Info

1 Quarter turns



2 Rod controls



3 Locking systems

4 Hinges



5 Seals

6 Handles

7 Aluminium windows

8 Miscellaneous

9 Special catalogues

Index



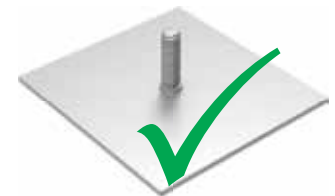
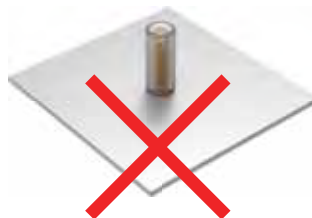
1. Place the rod guide on the weld stud. (Hereby the time-consuming screwing is reduced considerably.)



2. Set the rod guide upright. This makes it snap into place noticeably and audibly. It can then be secured by only a few rotations.



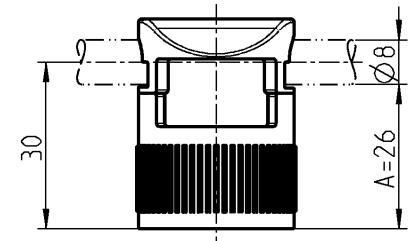
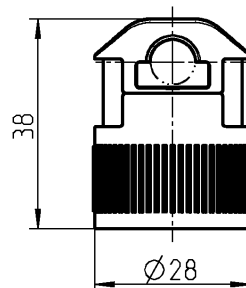
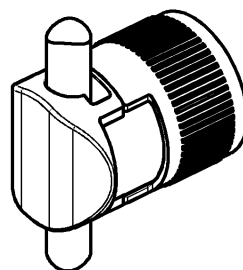
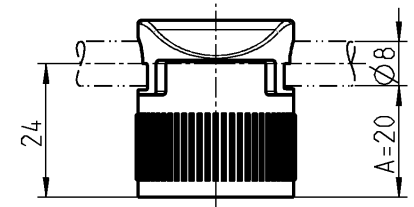
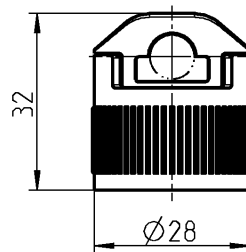
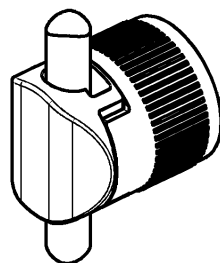
3. Rod guide is completely mounted.



#### + ADVANTAGE

This rod guide is suitable for raw and powder-coated weld studs. The covering of the weld stud before powdering can be omitted, this results in process optimization and cost saving.

**Note:**  
Rod guide suitable for dimensions of A=20 and A=26



Further parts see page

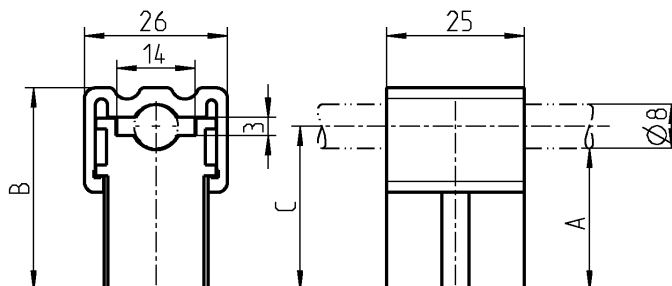
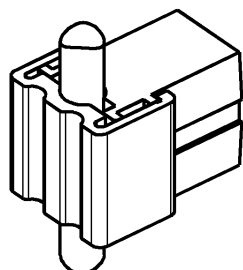
Program 1107, 1125, 1150, 1180, 1225, 1325, 2100, 3000  
- Rods 3ZB-120  
3ZB-180

#### Rod guide polyamide GF black

A	for weld stud	
20	M6x16	1001-U47
26	M6x20	

# Rod guide for round rods 8 mm

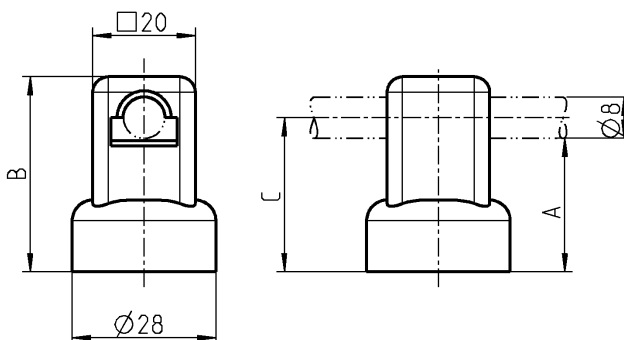
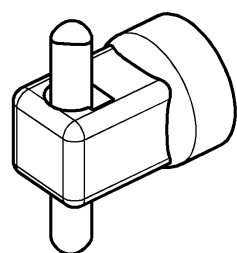
PROGRAM 1107 - 3000



**Note:**  
Rod guide can also be used  
for horizontal flat rods 3x14!

## Rod guide polyamide black

A	B	C	for weld stud	
20	31	24	M6x12 - 20	1001-U40
26	37	30	M6x12 - 20	1001-U41



## Rod guide polyamide black with sunken nut m.s. zinc-plated

A	B	C	for weld stud	
20	32	24	M6x16	1001-U11
26	38	30	M6x20	1001-U12

Further parts see page

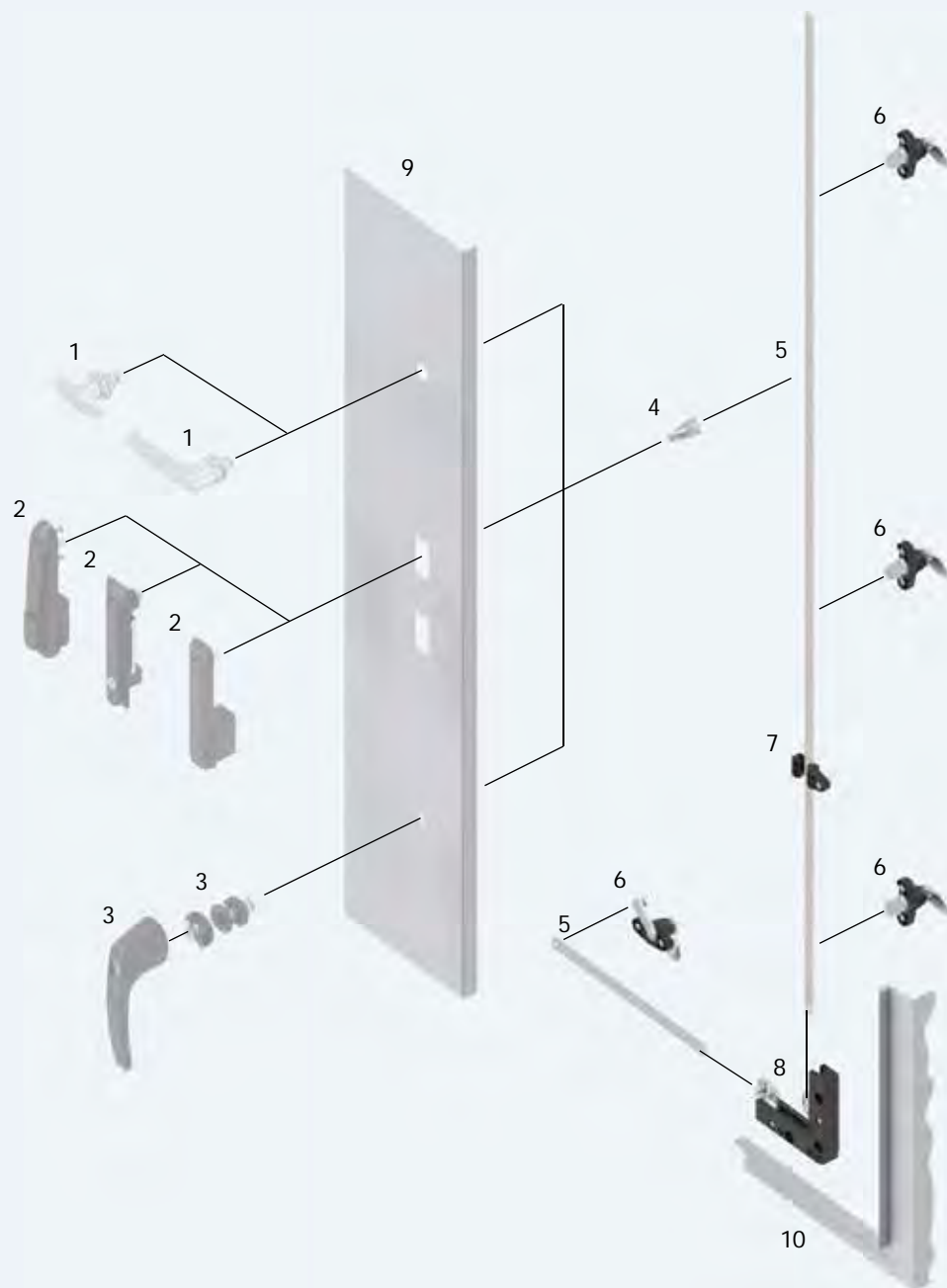
Program 1107, 1125, 1150,  
1180, 1225, 1325, 2100, 3000  
– Rods 3ZB-120  
3ZB-180





# Compression latch system inside the sealing

## Program 1000, 1091, 1125, 1150, 1180, 1225, 1325, 2100, 2225, 3000



- 1 Quarter turn, Program 1000
- 2 Swinghandle, Program 1125, 1150, 1180, 1225, 1325, 2100, 2225, 3000
- 3 Modular locking system, Program 1091 (Special catalogue HVACR)
- 4 Rod control
- 5 Connecting rod
- 6 Locking point
- 7 Rod guide
- 8 Corner guide
- 9 Door
- 10 Housing / Frame



# 3ZD-100

# Compression latch system for swinghandle, quarter turn and HVACR system

PROGRAM 1000, 1091, 1125, 1150, 1180, 1225, 1325, 2100, 2225, 3000



Swinghandle  
with GH = 18



Quarter turn  
with GH = 18



Modular locking system  
HVACR system



## Product benefits

- Compression function
- Latch and cut out independent for compression latch system
- Corner guide can be used for additional latches in transverse installation
- High closing comfort
- Patented





**Further parts see page**

- Connecting rod 3ZB-140
- Locking point compression latch 3ZD-160
- Rod control 3ZD-180
- Rod guide 3ZD-200
- Corner guide 3ZD-220
- Cam 3ZD-240
- Roller Cam Special catalogue HVACR
- Ramp 1C-170

**Program 1000**

- Safety quarter turn 1B-330
- 1B-332
- Handle quarter turn, lockable 1B-560
- to 1B-650

**Program 1125, 1150, 1180, 1225, 1325, 2100, 2225, 3000**

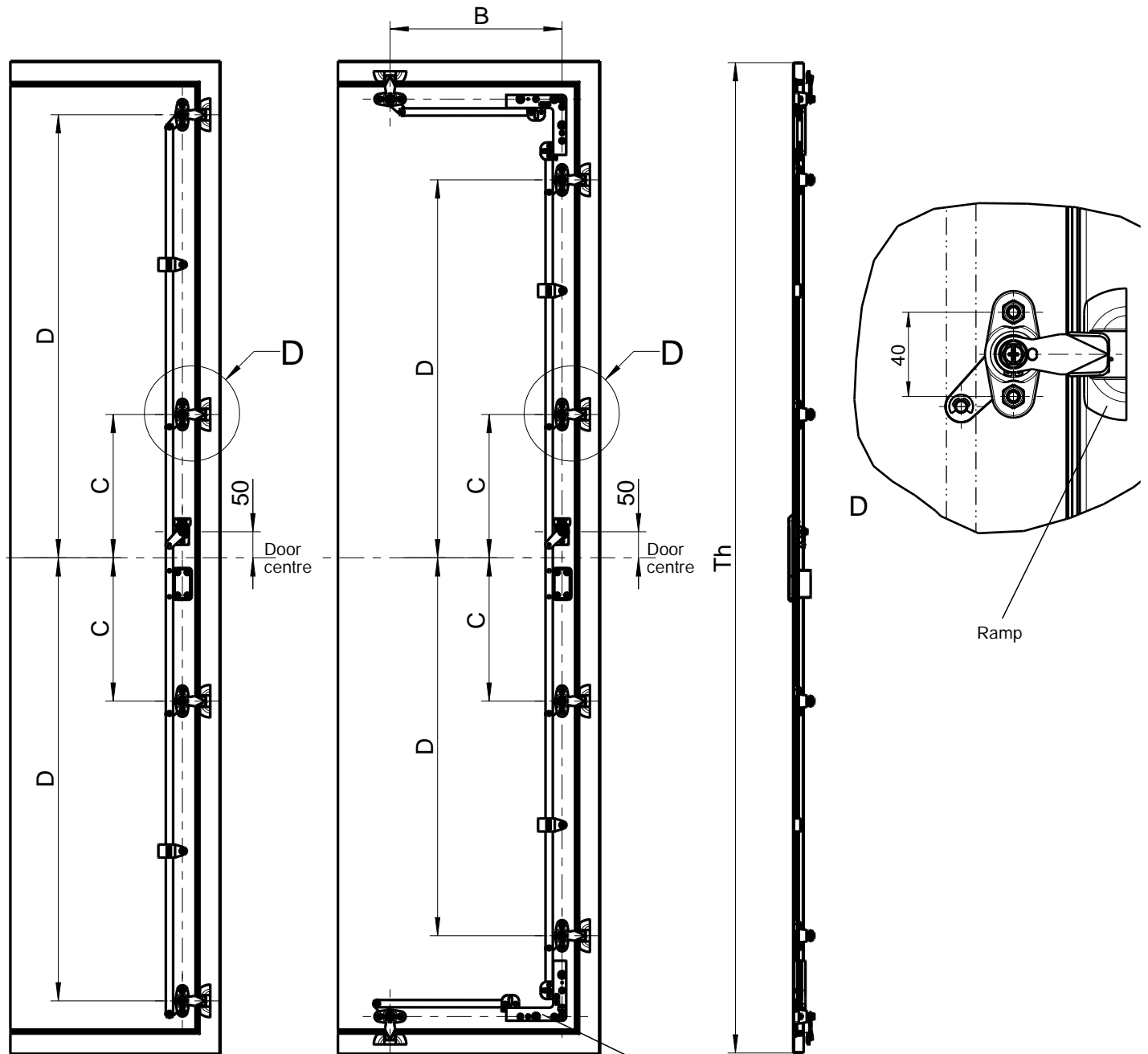
- Swinghandle 3B-100
- 3BA-100
- 3C-100
- 3E-100
- 3G-100
- 3H-100
- 3J-100
- 3N-100

**Program 1091**

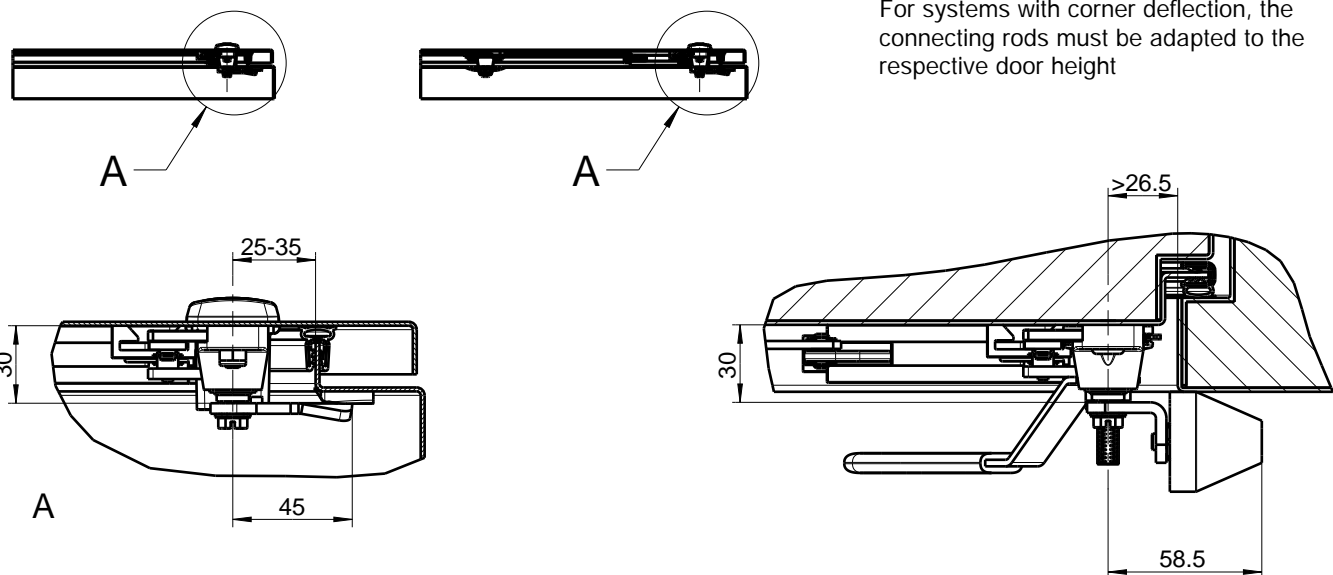
- Handle Special catalogue HVACR
- Shafts E1 and E2 Special catalogue HVACR

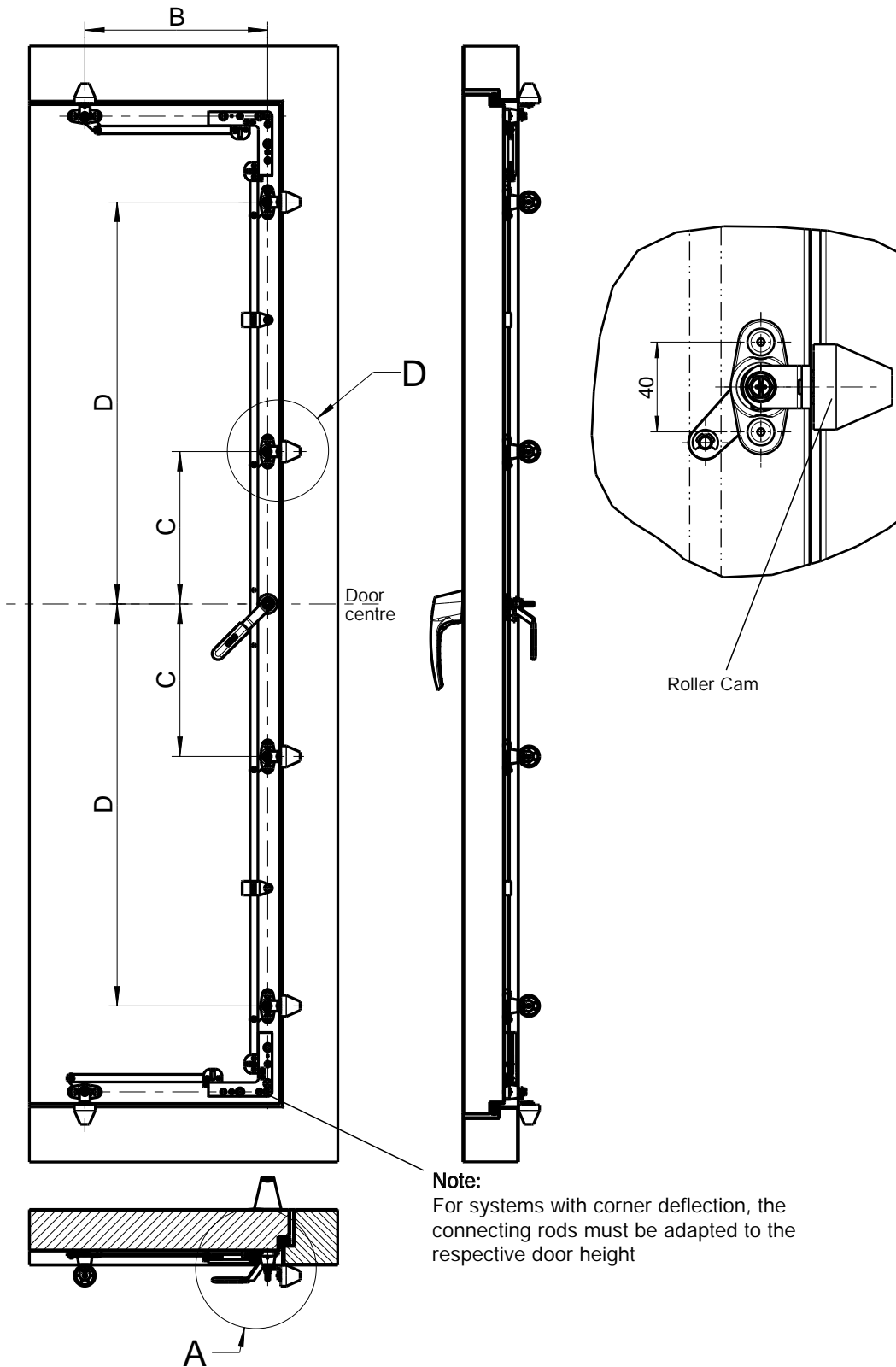
# Connecting rod for compression latch system

PROGRAM 1000, 1091, 1125, 1150, 1180, 1225, 1325, 2100, 2225, 3000



**Note:**  
For systems with corner deflection, the connecting rods must be adapted to the respective door height





**Note:**  
For systems with corner deflection, the connecting rods must be adapted to the respective door height



Further parts see page

- System overview 3ZB-120
- Locking point compression latch 3ZD-160
- Rod control 3ZD-180
- Rod guide 3ZD-200
- Corner guide 3ZD-220
- Cam 3ZD-240
- Roller Cam Special catalogue HVACR
- Ramp 1C-170

### Program 1000

- Safety quarter turn 1B-330
- 1B-332
- Handle quarter turn, lockable 1B-560
- to 1B-650

### Program 1125, 1150, 1180, 1225, 1325, 2100, 2225, 3000

- Swinghandle 3B-100
- 3BA-100
- 3C-100
- 3E-100
- 3G-100

### Program 1091

- Handle 3H-100
- 3J-100
- 3N-100
- Shafts E1 and E2 Special catalogue HVACR
- Special catalogue HVACR

#### Connecting rod vertical (without corner guide)

Door height Th	Dim. C	Dim. D	
800-1200	-	300	on request
1200-1600	-	450	on request
1600-1900	275	700	on request
1900-2200	275	850	on request

#### Connecting rod horizontal

Dimension B according to customer's choice on request

Info

1 Quarter turns

2 Rod controls

3 Locking systems

4 Hinges

5 Seals

6 Handles

7 Aluminium windows

8 Miscellaneous

9 Special catalogues

Index



Right-hand version



Left-hand version

#### Further parts see page

- System overview 3ZB-120
- Connecting rod 3ZB-140
- Rod control 3ZD-180
- Rod guide 3ZD-200
- Corner guide 3ZD-220
- Cam 3ZD-240
- Roller Cam Special catalogue HVACR
- Ramp 1C-170

#### Program 1000

- Safety quarter turn 1B-330
- 1B-332
- Handle quarter turn, lockable 1B-560
- to 1B-650

#### Program 1125, 1150, 1180, 1225, 1325, 2100, 2225, 3000

- Swinghandle 3B-100
- 3BA-100
- 3C-100
- 3E-100
- 3G-100
- 3H-100
- 3J-100
- 3N-100

#### Program 1091

- Handle Special catalogue HVACR
- Shafts E1 and E2 Special catalogue HVACR



Right-hand version  
Compressed condition



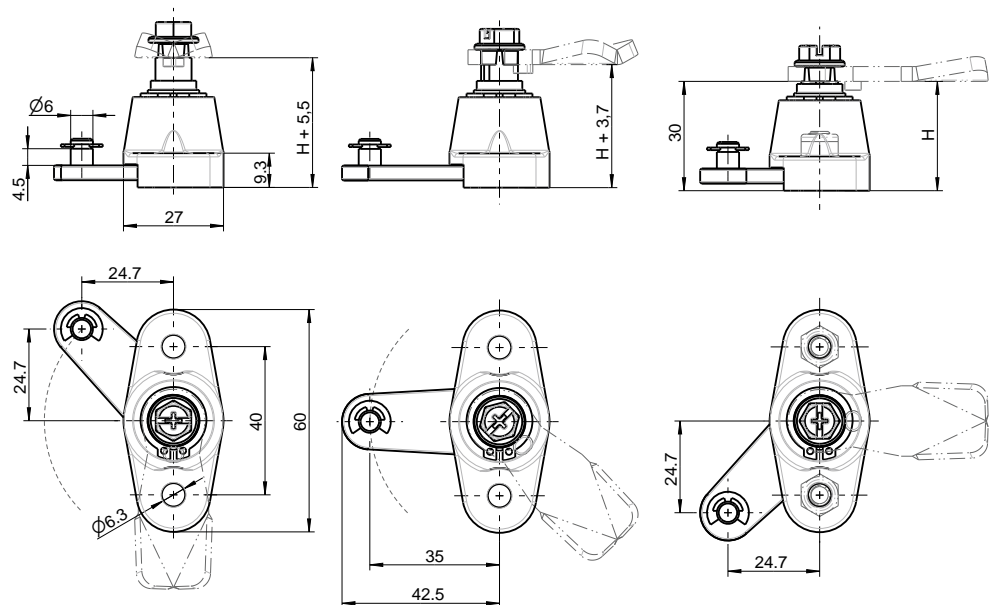
Right-hand version  
Open condition



Left-hand version  
Compressed condition



Left-hand version  
Open condition

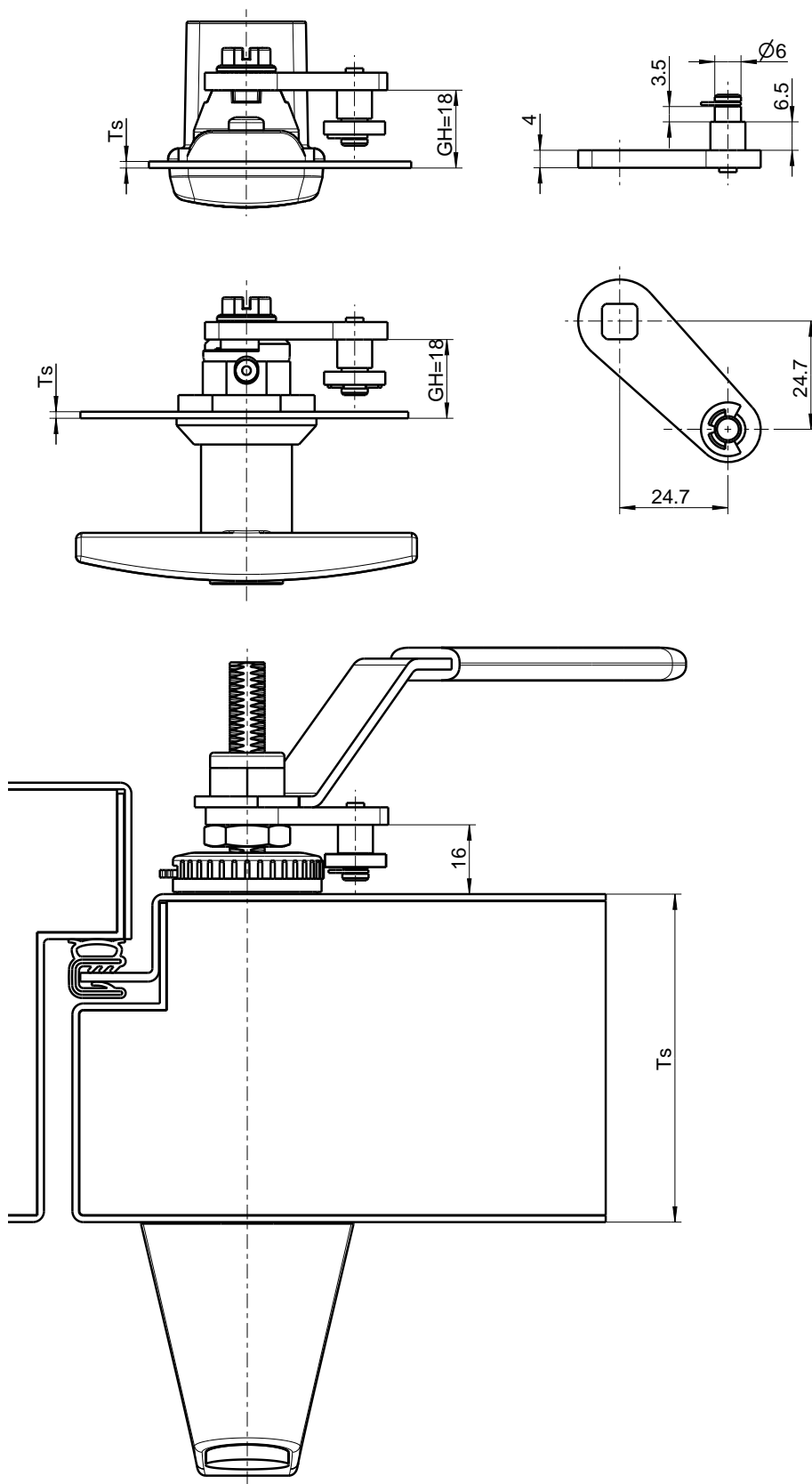


Locking point for weld stud M6x16 or blind rivet;  
housing polyamide 66 GF 50 black, insert, bush and locking shaft zinc die raw;  
pin, screw and circlip m.s. zinc-plated; with spring

Right-hand version (for quarter turn left-hand version)	1121-U203
Left-hand version (for quarter turn right-hand version)	1121-U204

# Rod control for compression latch system

PROGRAM 1000 - 3000



### Further parts see page

- System overview 3ZB-120
- Connecting rod 3ZB-140
- Locking point compression latch

- Rod guide 3ZD-160
- Corner guide 3ZD-200
- Cam 3ZD-220
- 3ZD-240

### Program 1000

- Safety quarter turn 1B-330
- 1B-332
- Handle quarter turn, lockable 1B-560
- to 1B-650

### Program 1125, 1150, 1180, 1225, 1325, 2100, 2225, 3000

- Swinghandle 3B-100
- 3BA-100
- 3C-100
- 3E-100
- 3G-100

- 3H-100
- 3J-100
- 3N-100

### Program 1091

- Handle Special catalogue HVACR
- Shafts E1 and E2 Special catalogue HVACR

Rod control m.s. zinc-plated

1000-U980

Info

1 Quarter turns

2 Rod controls

3 Locking systems

4 Hinges

5 Seals

6 Handles

7 Aluminium windows

8 Miscellaneous

9 Special catalogues

Index



#### Further parts see page

- System overview 3ZB-120
- Connecting rod 3ZB-140
- Locking point compression latch

- 3ZD-160
- Rod control 3ZD-180
- Corner guide 3ZD-220
- Cam 3ZD-240

#### Program 1000

- Safety quarter turn 1B-330
- 1B-332
- Handle quarter turn, lockable
- 1B-560
- to 1B-650

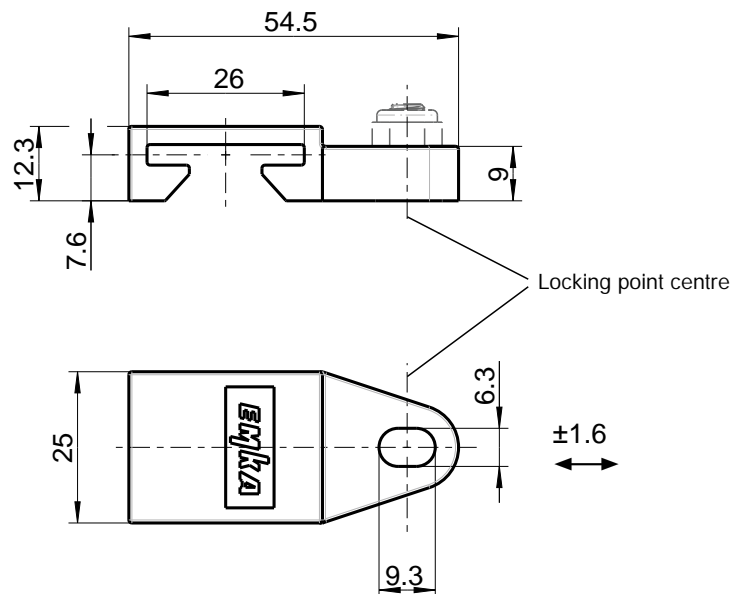
#### Program 1125, 1150, 1180, 1225, 1325, 2100, 2225, 3000

- Swinghandle 3B-100
- 3BA-100
- 3C-100
- 3E-100
- 3G-100

- 3H-100
- 3J-100
- 3N-100

#### Program 1091

- Handle Special catalogue HVACR
- Shafts E1 and E2 Special catalogue HVACR



**Rod guide polyamide GF black**

for weld stud M6x16 or blind rivet

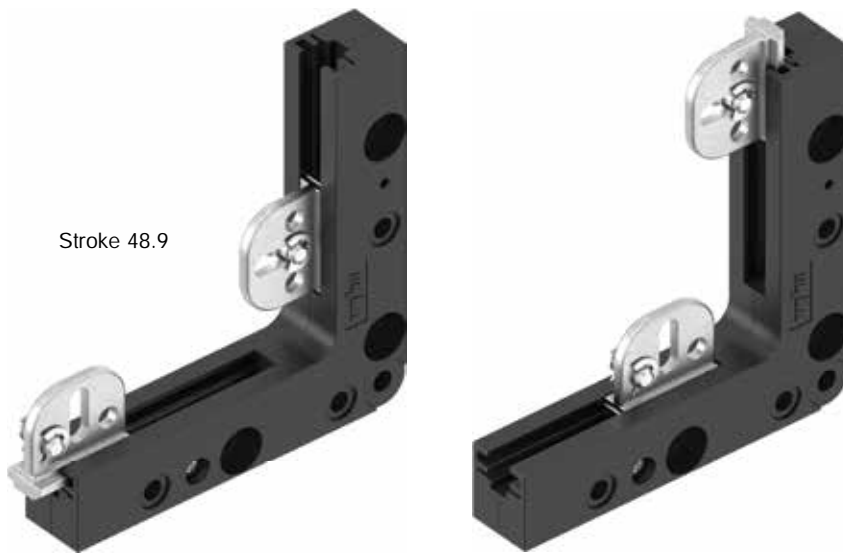
1121-169

**3ZD-200**

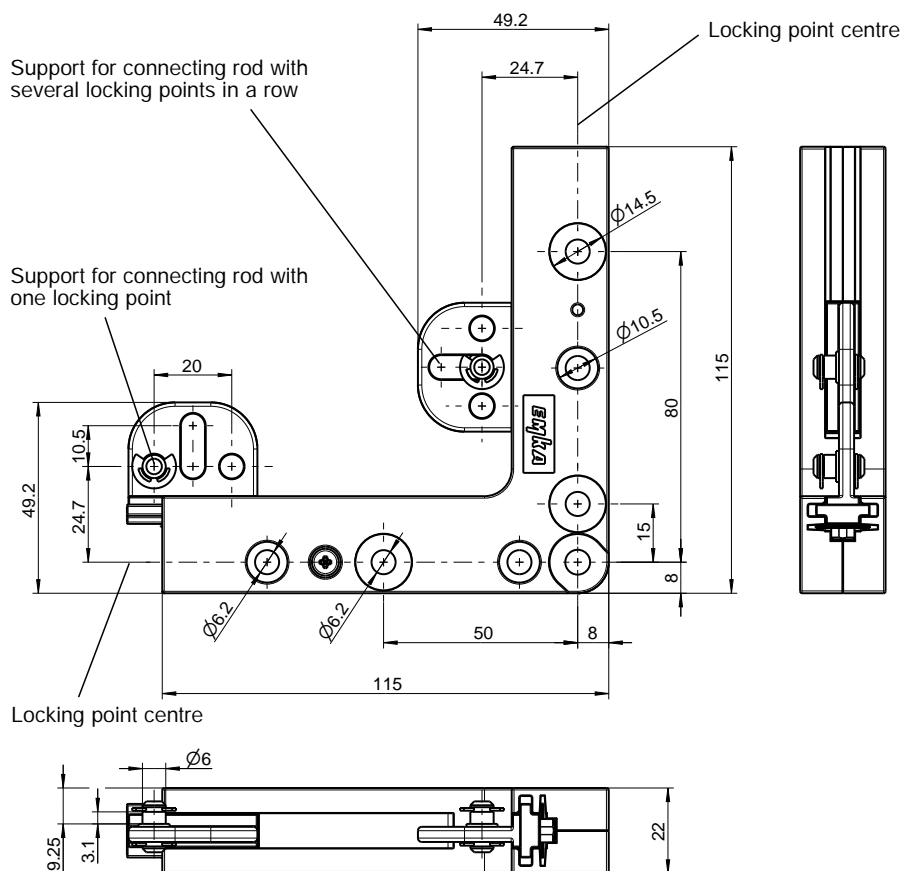


# Corner guide for compression latch system

PROGRAM 1000 - 3000



Stroke 48.9



### Further parts see page

- System overview 3ZB-120
- Connecting rod 3ZB-140
- Locking point compression latch

- Rod control 3ZD-160
- Rod guide 3ZD-180
- Cam 3ZD-200
- 3ZD-240

### Program 1000

- Safety quarter turn 1B-330
- 1B-332
- Handle quarter turn, lockable 1B-560
- to 1B-650

### Program 1125, 1150, 1180, 1225, 1325, 2100, 2225, 3000

- Swinghandle 3B-100
- 3BA-100
- 3C-100
- 3E-100
- 3G-100

- 3H-100
- 3J-100
- 3N-100

### Program 1091

- Handle Special catalogue HVACR
- Shafts E1 and E2 Special catalogue HVACR

**Corner guide**  
Housing polyamide GF black, connector zinc die raw; rivet m.s. zinc-plated;  
circlip and screw m.s. zinc-plated; with spring hinge

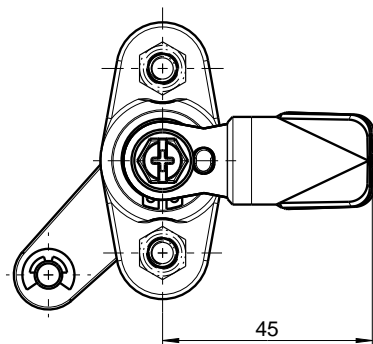
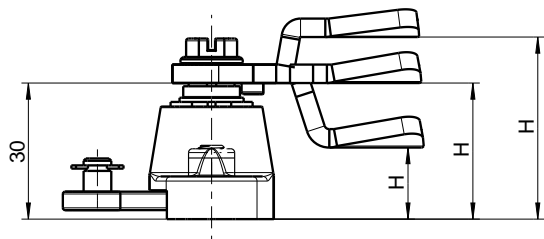
for weld stud M6x20 or blind rivet

1121-U205



# Cam for compression latch system

PROGRAM 1000 - 3000



### Cam with catch, material of choice

H	m.s. zinc-plated	AISI 304	AISI 316
16	1000-112	-	-
18	1000-22	1000-221	1000-221-PD
20	1000-113	-	-
22	1000-21	1000-223	1000-223-PD
25	1000-20	-	-
26	1000-19	1000-225	1000-225-PD
28	1000-18	-	-
30	1000-17	1000-227	1000-227-PD
32	1000-16	1000-228	1000-228-PD
34	1000-15	1000-179	1000-179-PD
36	1000-14	1000-229	1000-229-PD
37	1000-27	-	-
38	1000-50	1000-230	1000-230-PD
40	1000-13	1000-180	1000-180-PD
42	1000-28	-	-
44	1000-26	-	-
46	1000-12	-	-
47	1000-11	-	-
48	1000-51	-	-
50	1000-52	-	-
52	1000-25	-	-
54	1000-53	-	-
56	1000-54	-	-
57	1000-10	-	-
59	1000-55	-	-
61	1000-56	-	-

### Further parts see page

- System overview 3ZB-120
- Connecting rod 3ZB-140
- Locking point compression latch

- 3ZD-160
- Rod control 3ZD-180
- Rod guide 3ZD-200
- Corner guide 3ZD-220
- Ramp 1C-170
- Roller Cam
- Special catalogue HVACR

### Program 1000

- Safety quarter turn 1B-330
- 1B-332
- Handle quarter turn, lockable 1B-560 to 1B-650

### Program 1125, 1150, 1180, 1225, 1325, 2100, 2225, 3000

- Swinghandle 3B-100
- 3BA-100
- 3C-100
- 3E-100
- 3G-100
- 3H-100
- 3J-100
- 3N-100

### Program 1091

- Handle
- Special catalogue HVACR
- Shafts E1 and E2
- Special catalogue HVACR

# Hinges for prominent door (chapter 4A)

	4A-120	4A-121	4A-130	4A-133	4A-135	4A-136	4A-137	4A-138	4A-139	4A-140	4A-145	4A-150	4A-160	4A-170	4A-190	4A-210	4A-215
1 Quarter turns								●	●			●		●		●	●
	●	●	●	●	●	●	●			●	●	●	●		●		●
						●	●							●	●		●
	●	●	●	●	●	●	●	●	●	●	●	●	●	●	●	●	●
2 Rod controls								●	●			●		●	●	●	●
								●	●							●	●
	120°	135°/180°	120°	120°	120°/135°	125°	115°/135°	180°	180°	180°	180°	180°	180°	180°	120°	180°	180°
3 Locking systems		●			●			●		●	●						
	●	●	●		●	●				●	●	●				●	●
	●		●	●		●	●				●	●	●			●	
	●	●	●	●	●	●	●	●	●	●	●	●	●	●	●	●	●
4 Hinges								●	●	●	●	●	●			●	●
	20	20/22	22/26	26	22/25	25	24/26	20	25	16/25	25	20	20	25	25	26	25

# Hinges for flush door and profiles (chapter 4B)

	4B-120	4B-130	4B-140	4B-160	4B-170	4B-190	4B-200	4B-205	4B-207	4B-210	4B-212	4B-213	4B-215	4B-220	4B-230	4B-240	4B-243
5 Seals				●	●	●	●	●	●	●	●	●	●	●	●	●	●
	●	●	●														
	●	●	●								●	●				●	●
6 Handles													2D				
	●	●	●	●	●	●	●	●	●	●	●	●	●	●	●	●	●
	●	●	●			●	●	●	●	●	●	●	●	●	●	●	●
	90°	90°	180°	180°	180°	180°	180°/270°	180°	180°	180°	180°	180°	180°	180°	180°	180°	160°
7 Aluminium windows						●	●		●							●	
						●	●	●		●	●	●	●		●	●	●
	●	●	●	●	●					●	●	●	●	●			
	●	●	●		●										●		
8 Miscellaneous				●	●	●	●	●	●	●	●	●	●	●	●	●	●
						●			●							●	

# Pin hinges (chapter 4C)

	4C-120	4C-130															
9 Special catalogues		●															
	●																
	●																
	●																
Index		●															

x = variable Note: Hinges should be greased prior to use



# Hinge for prominent door

1



Door depicted transparent

1



Door depicted transparent

2



3

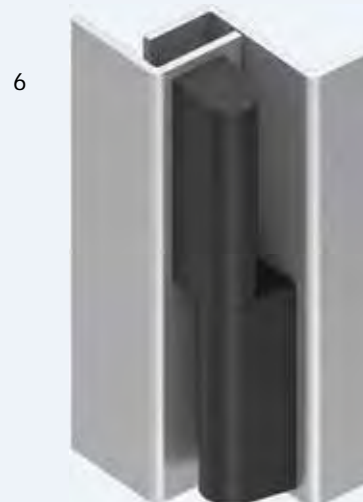
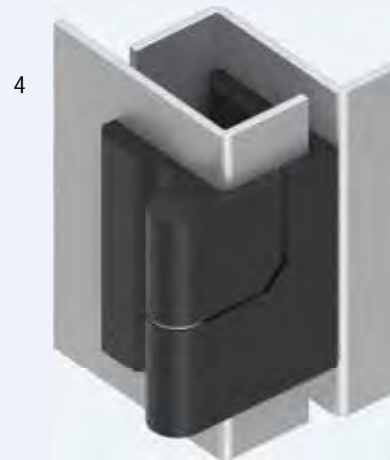
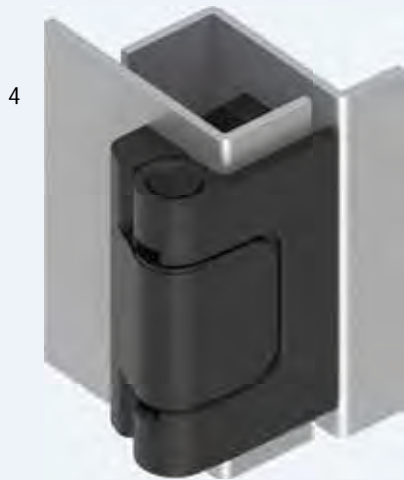


3



3





- 1 120° to 135° Concealed hinge
- 2 120° Concealed hinge and lift-off version
- 3 180° Prominent hinge
- 4 180° Prominent hinge and lift-off version
- 5 180° Prominent hinge
- 6 180° Prominent hinge and lift-off version

- 4A-120 to 4A-135, 4A-140,  
4A-150, 4A-190, 4A-280
- 4A-190
- 4A-138, 4A-150, 4A-160, 4A-450, 4A-460
- 4A-170, 4A-210 to 4A-220
- 4A-250 to 4A-280, 4A-310
- 4A-285 to 4A-300



# 4A-100

## 120° Hinge PROGRAM 1069

Info

1 Quarter turns

2 Rod controls

3 Locking systems

4 Hinges

5 Seals

6 Handles

7 Aluminium windows

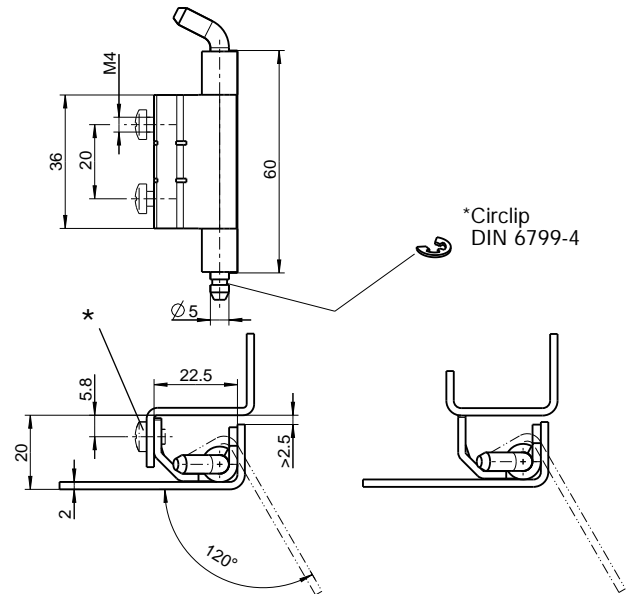
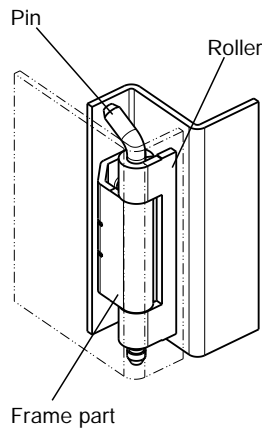
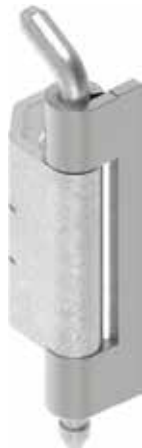
8 Miscellaneous

9 Special catalogues

Index



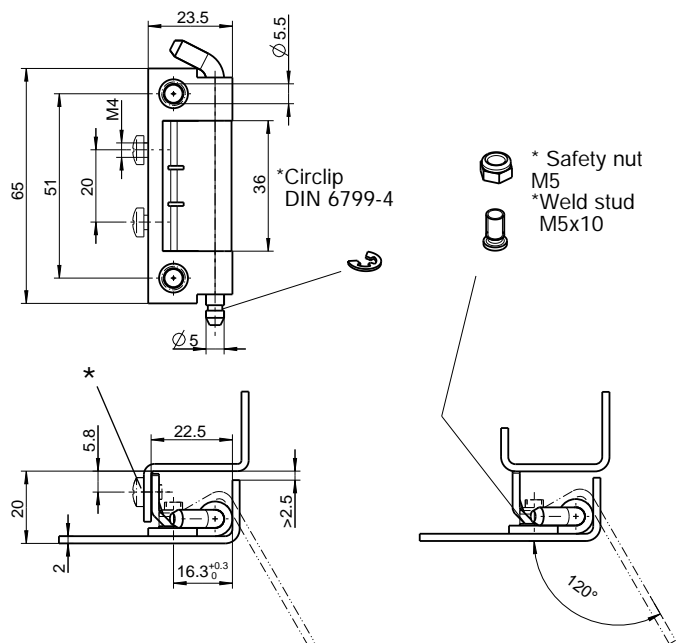
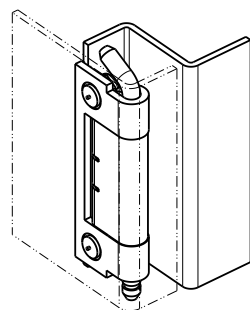
120° Hinge for 20 mm door return



Hinge m.s. zinc-plated or stainless steel, roller m.s. raw or AISI 304

screw-on m.s.	1069-U1	weld-on m.s.	1069-U2
screw-on AISI 304	1069-U4	weld-on AISI 304	1069-U3

120° Hinge for weld stud fixing for 20 mm door return



\*not included in the scope of delivery

Further parts see page 8E-100  
– Fixing material

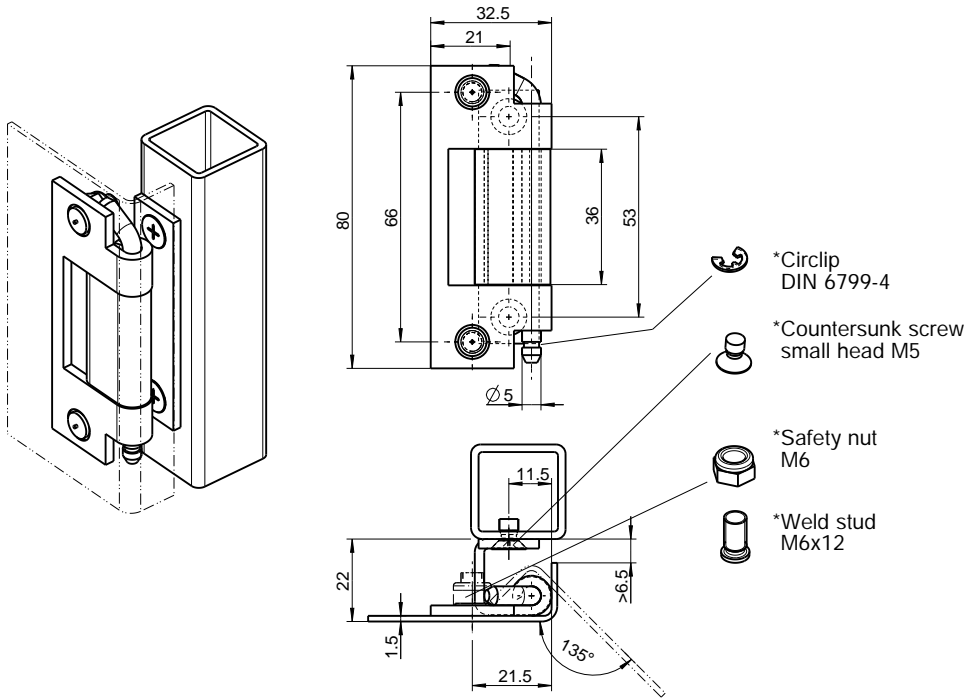
Hinge m.s. zinc-plated, screw-on	Hinge m. s. zinc-plated, weld-on
1069-U6	Weld-on part m.s. raw 1069-U5



# 135° and 180° Hinge

## PROGRAM 1032, 1110

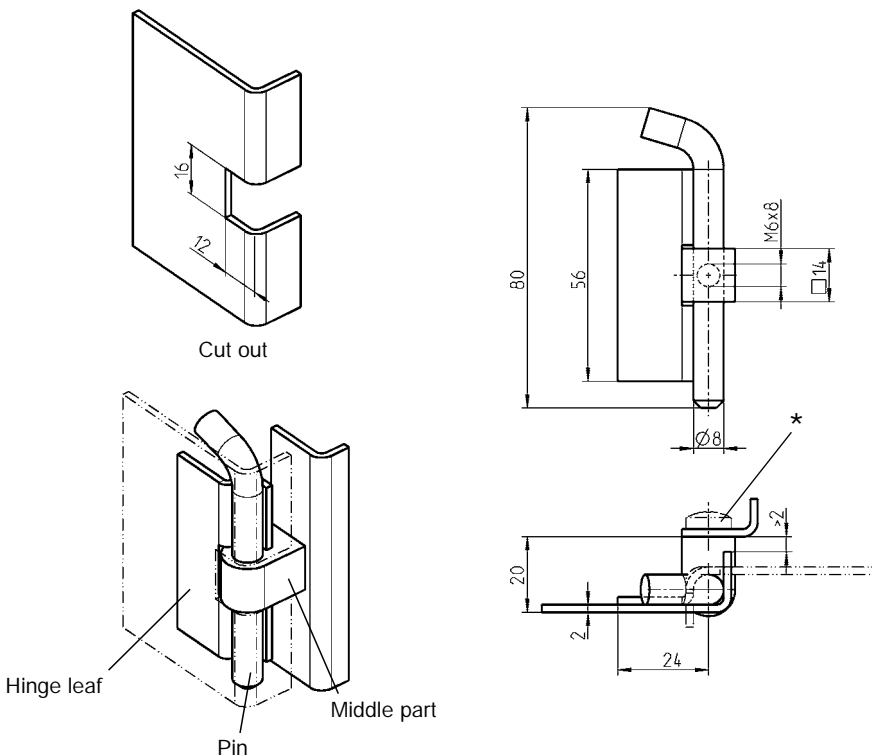
135° Hinge for 22 mm door return



Hinge m.s. zinc-plated

1032-U6

180° Hinge for 20 mm door return



Hinge m.s. zinc-plated; weld-on parts raw

1110-U1



Small head = DIN ISO 2009, 2010, 7046-1, 7046-2, 7047



\*not included in the scope of delivery

Further parts see page  
– Fixing material

8E-100

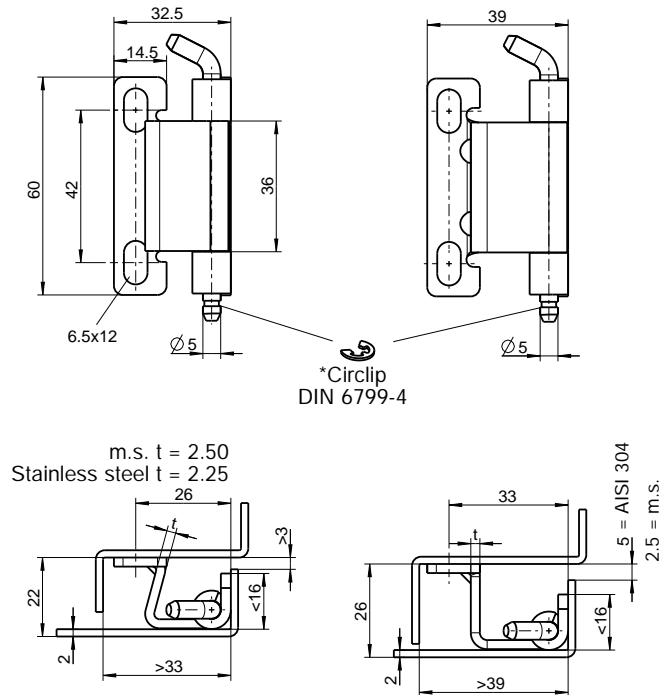
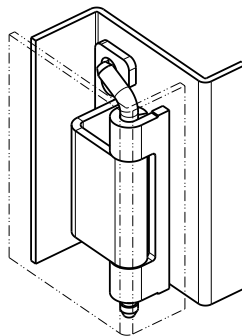
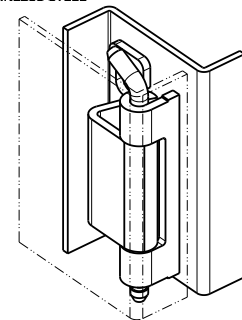
### 120° Hinge PROGRAM 1032

Info  
1 Quarter turns  
2 Rod controls  
3 Locking systems  
4 Hinges  
5 Seals  
6 Handles  
7 Aluminium windows  
8 Miscellaneous  
9 Special catalogues  
Index



120° Hinge for 22 or 26 mm door return

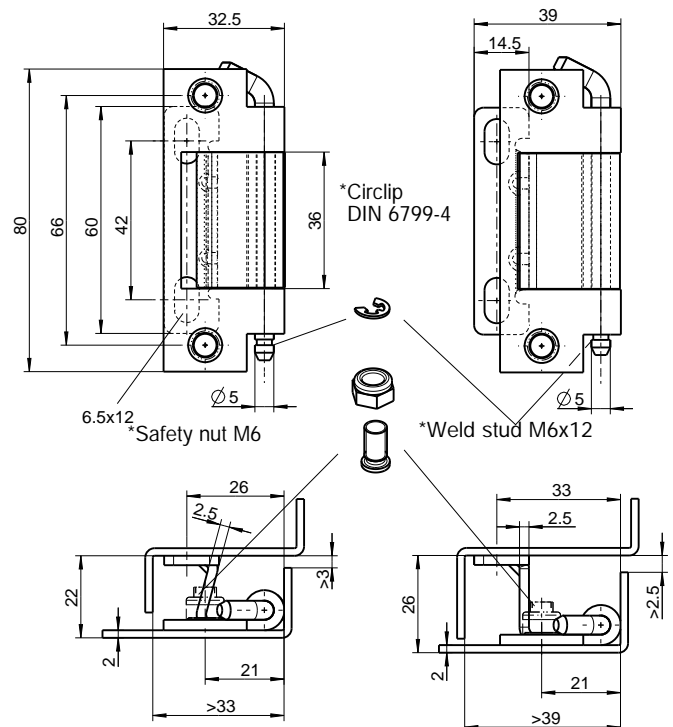
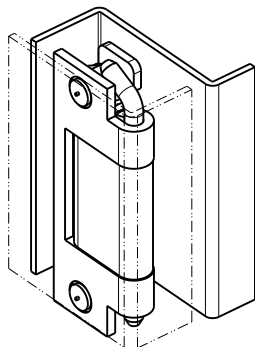
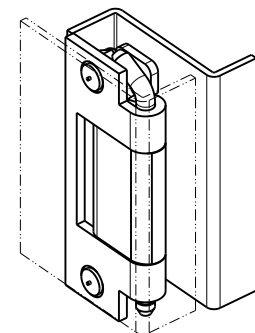
STAINLESS STEEL



120° Hinge m.s. zinc-plated or stainless steel, roller m.s. raw or AISI 304

m.s. (Dim. 22)	1032-U1	m.s. (Dim. 26)	1031-U1
AISI (Dim. 22)	1032-U2	AISI (Dim. 26)	1031-U2

120° Hinge for weld stud fixing for 22 or 26 mm door return



\*not included in the scope of delivery

Further parts see page  
– Fixing material 8E-100

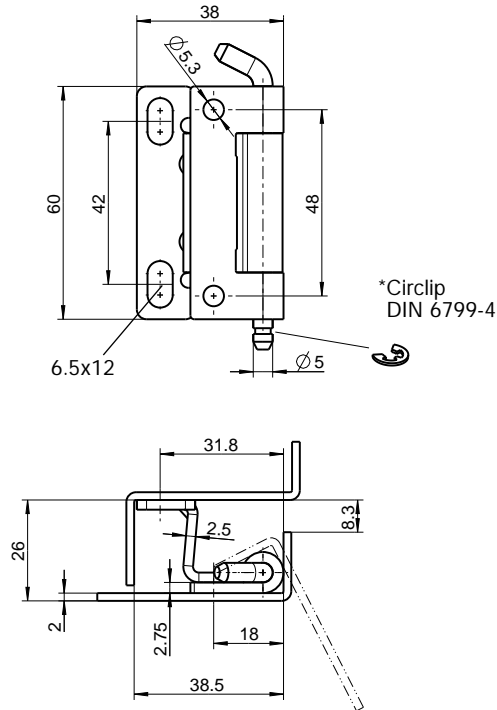
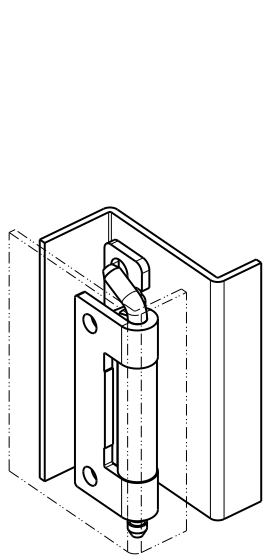
Hinge m.s. zinc-plated

(Dim. 22)	1032-U5	(Dim. 26)	1031-U10
-----------	---------	-----------	----------

# 120° Hinge, 170° Hinge with captive pin

## PROGRAM 1031

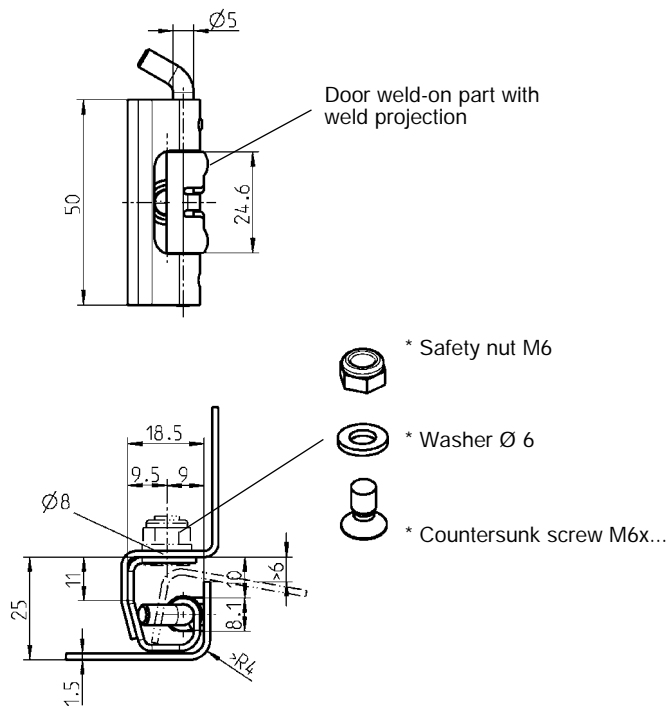
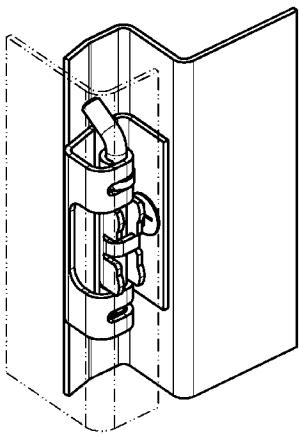
120° Hinge for 26 mm door return



120° Hinge AISI 304

1031-U17-PC

170° Hinge for 25 mm door return



\*not included in the scope of delivery

170° Hinge m.s. zinc-plated; door weld-on part m.s. raw; pin clamping ring POM red

1031-U16

Info

1 Quarter turns



2 Rod controls



3 Locking systems



4 Hinges

5 Seals

6 Handles



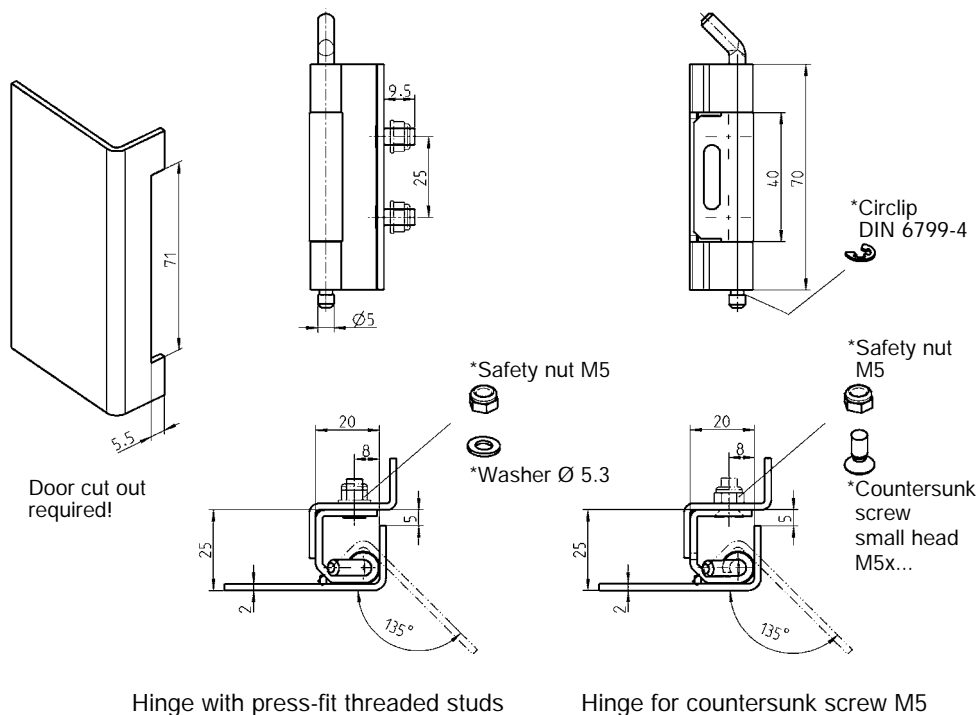
7 Aluminium windows

8 Miscellaneous

9 Special catalogues

Index

### 135° Hinge for 25x20 mm door return



### 135° Hinge

Frame part m.s. zinc-plated; roll m.s. raw; pin m.s. zinc-plated; threaded studs m.s. zinc-plated

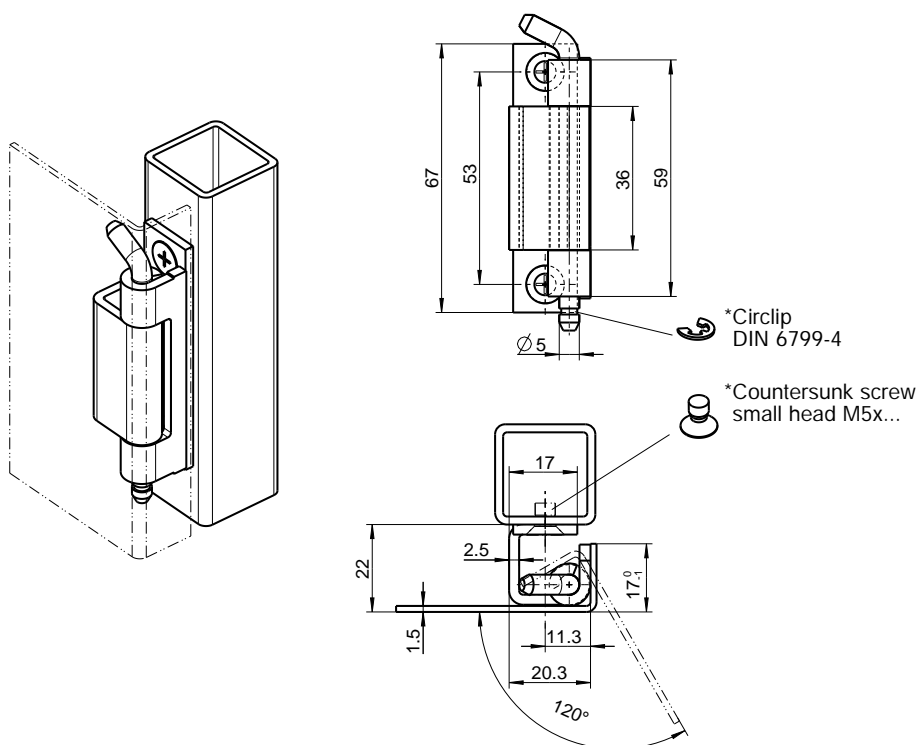
with press-fit threaded studs M5x12

1069-U7

for countersunk small head M5

1069-U8

### 120° Hinge for 22 mm door return



### 120° Hinge

Frame part m.s. zinc-plated; roll m.s. raw; pin m.s. zinc-plated

1031-U7

\*not included in the scope of delivery

Small head = DIN ISO 2009, 2010, 7046-1, 7046-2, 7047

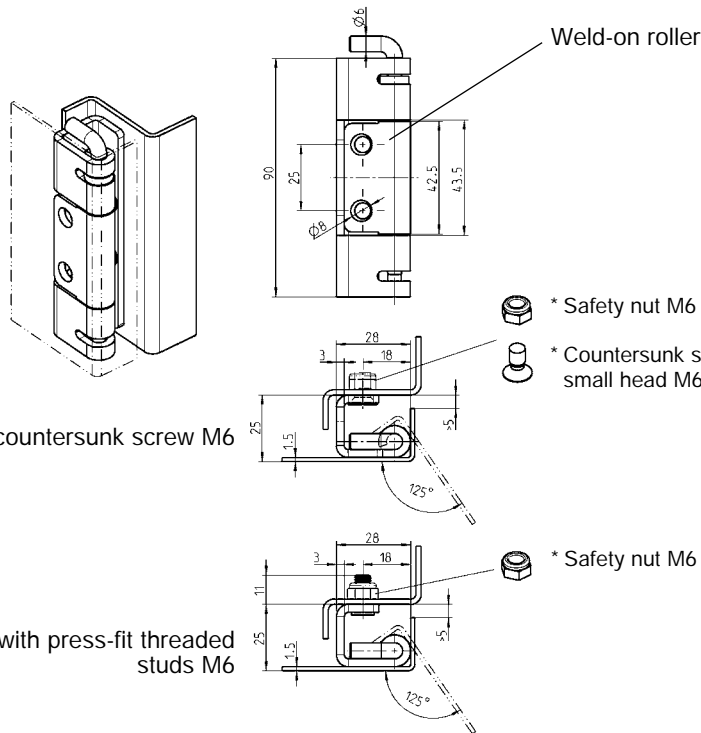
Further parts see page  
– Fixing material

8E-100

# 125° Hinge with captive pin

## PROGRAM 1031

125° Hinge for single cabinets for 25 mm door return



Hinge for countersunk screw M6

Hinge with press-fit threaded studs M6

Frame part, pin and threaded studs m.s. zinc-plated; door part m.s. raw; pin clamping ring POM red

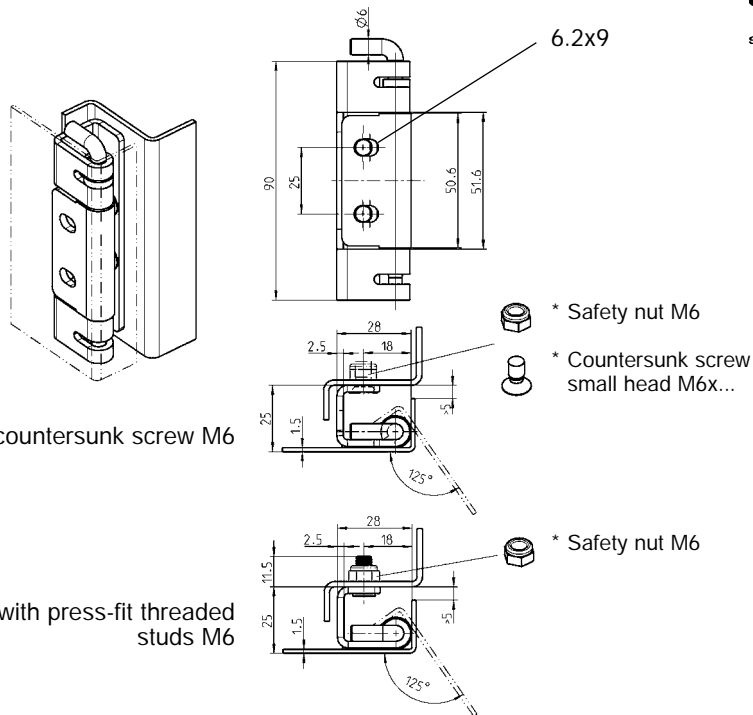
for countersunk small head M6

1031-U12

with press-fit threaded studs M6x15

1031-U19

125° Hinge for single cabinets for 25 mm door return



Hinge for countersunk screw M6

Hinge with press-fit threaded studs M6



125° Hinge AISI 304 or AISI 316Ti; threaded studs stainless steel; pin clamping ring POM red

AISI 304

for countersunk small head M6

1031-U13

AISI 316Ti

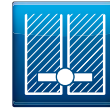
for countersunk small head M6

1031-U22

AISI 304

with press-fit threaded studs M6x15

1031-U20



\* not included in the scope of delivery

Small head = DIN ISO 2009, 2010, 7046-1, 7046-2, 7047

Info

1 Quarter turns



2 Rod controls



3 Locking systems



4 Hinges

5 Seals

6 Handles

7 Aluminium windows

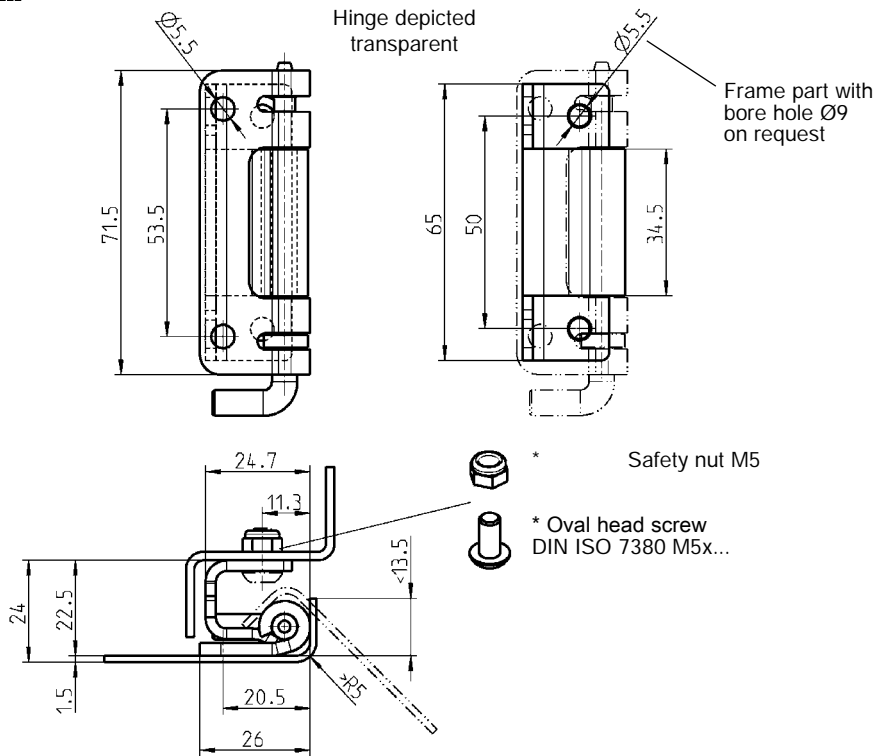
8 Miscellaneous

9 Special catalogues

Index



135° Hinge for single cabinets for 24 mm door return

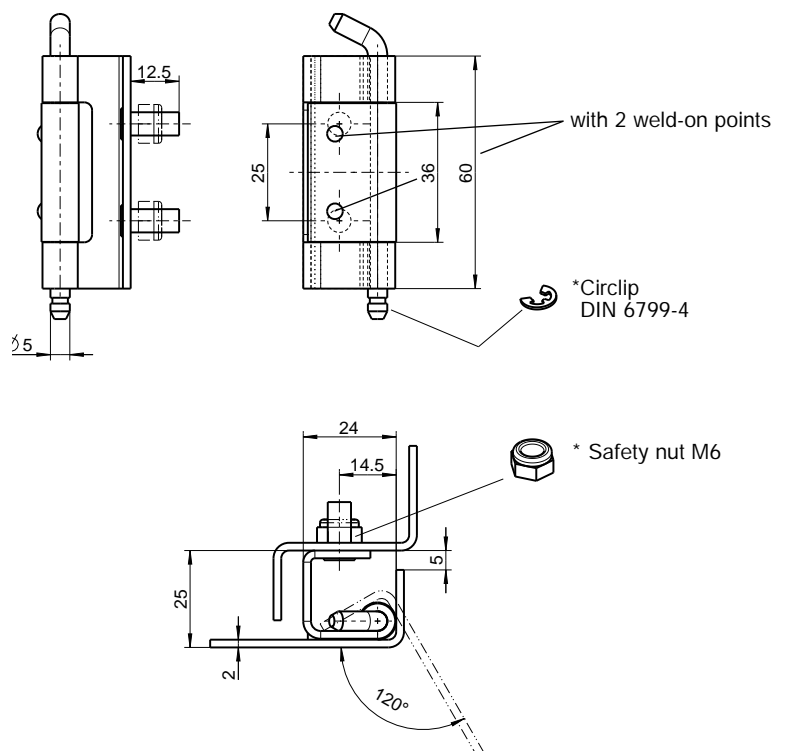


135° Hinge AISI 304; pin AISI 303; shaft clamping ring POM red

Fixing points according to common standards

1031-U15

120° Hinge for single cabinets for 25 mm door return



\* not included in the scope of delivery

120° Hinge

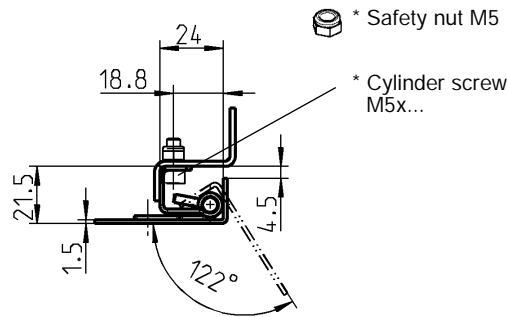
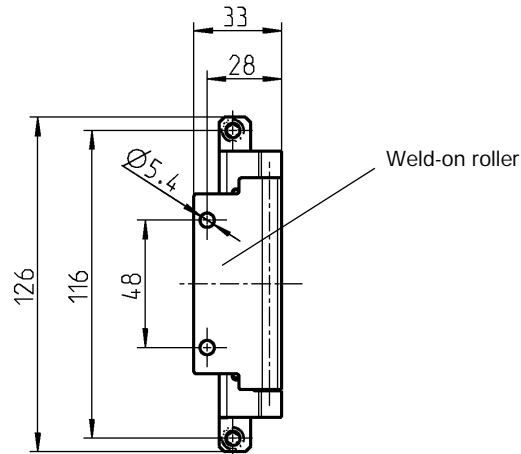
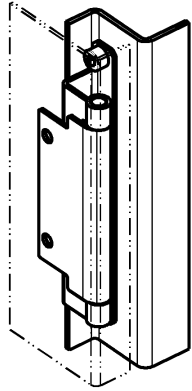
Frame part m.s. zinc-plated; roll m.s. raw; pin m.s. zinc-plated

1031-U21

# 115° and 122° Hinge with captive pin

## PROGRAM 1031

122° Hinge for single cabinets for 22 mm door return



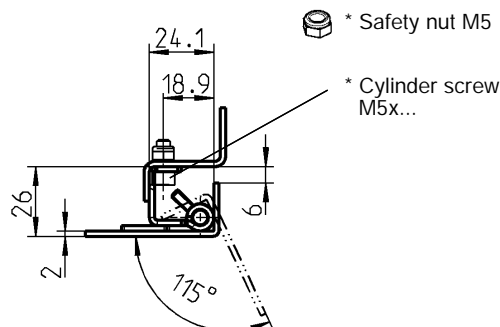
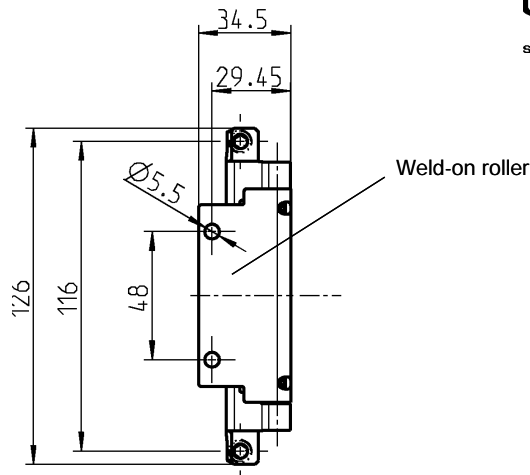
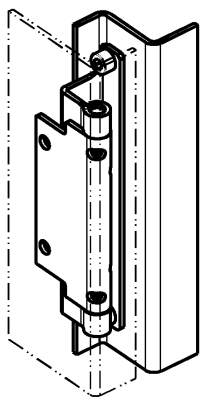
### Product benefits

- Can be hinged and unhinged without tools

122° Hinge m.s. zinc-plated, with spring

1031-U18

115° Hinge for single cabinets for 26 mm door return



### Product benefits

- Can be hinged and unhinged without tools

115° Hinge AISI 304

1031-U14



AISI INOX



\* not included in the scope of delivery

## 180° Hinge PROGRAM 1110

180° Hinge for inline cabinets with double doors for 20 mm door return



Version A



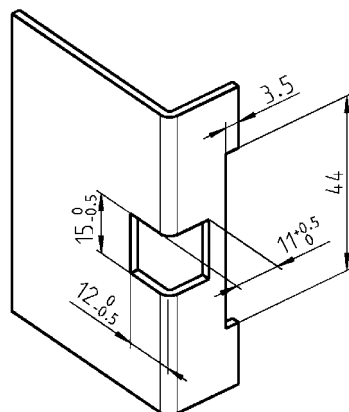
Version B



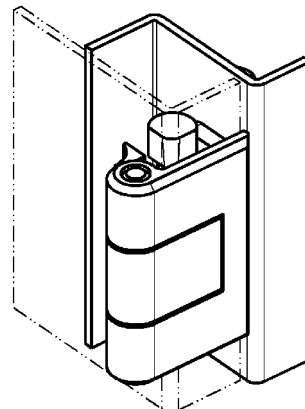
Version C



Version D

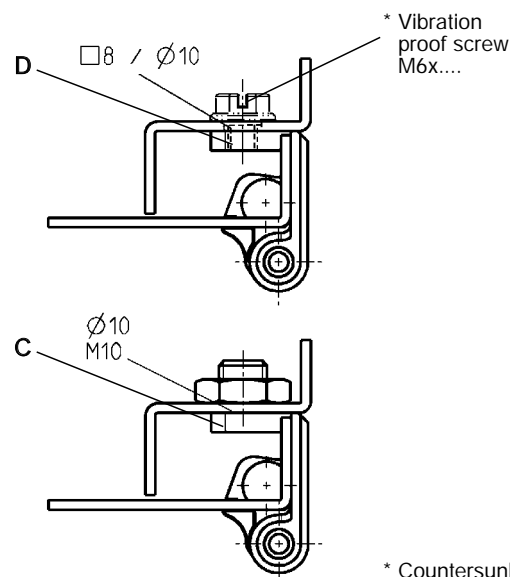
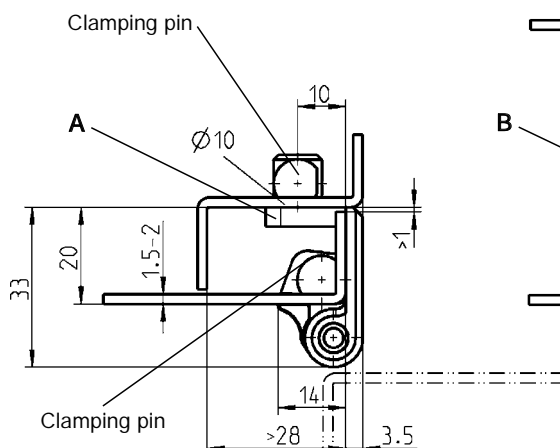
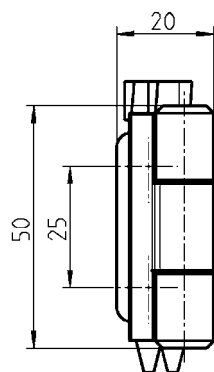


Cut out



**Assembly:**

Hinge is fixed by driving in the clamping pin.



\* Vibration proof screw M6x....

\* Countersunk screw small head M6x...

\*not included in the scope of delivery

Small head = DIN ISO 2009, 2010, 7046-1, 7046-2, 7047

Further parts see page 8E-100

Hinge zinc die surface of choice; fixing material polyamide GF black; pin stainless steel; washer and nut m.s. zinc-plated

	black powder-coated	chrome-plated
Version A	1110-U128	on request
Version B	1110-U130	1110-U130-IA
Version C	1110-U129	on request
Version D	1110-U127	on request



# 180° Hinge

## PROGRAM 1110

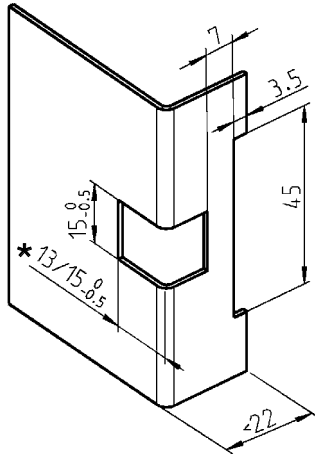
180° Hinge for inline cabinets with double doors for 25 mm door return



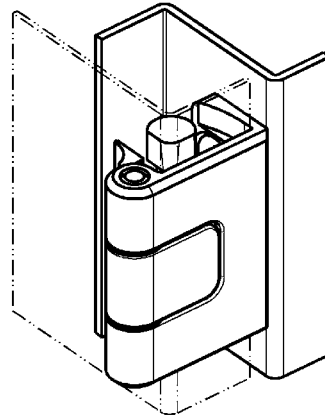
1 Quarter turns

2 Rod controls

3 Locking systems



Cut out

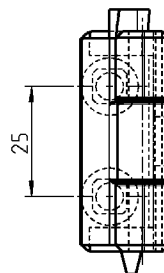
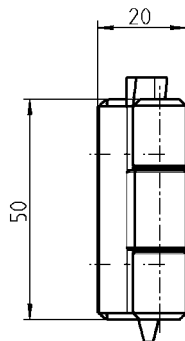


**Assembly:**  
Hinge is fixed by driving in the clamping pin.

- \* Door thickness 1.2-1.5=13 mm
- Door thickness 1.5-2.0=15 mm



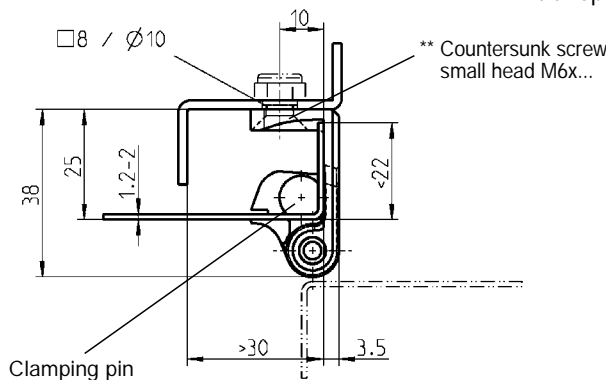
4 Hinges



Hinge depicted transparent



5 Seals



6 Handles

7 Aluminium windows

8 Miscellaneous

Hinge zinc die black powder-coated; fixing pin polyamide GF black; pin stainless steel; washer m.s. zinc-plated

1110-U140

\*\* not included in the scope of delivery

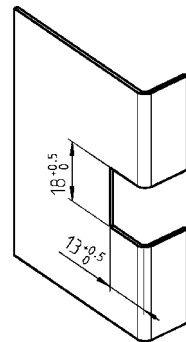
Small head = DIN ISO 2009, 2010, 7046-1, 7046-2, 7047

9 Special catalogues

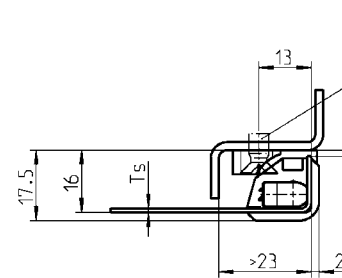
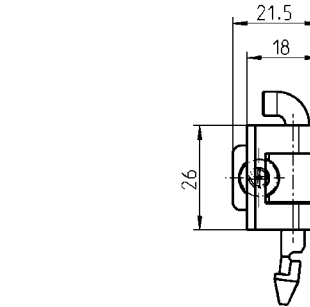
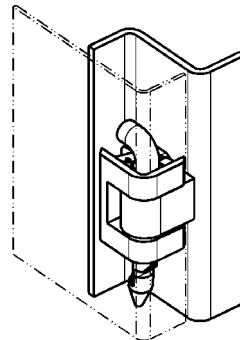
Index

### 180° Hinge PROGRAM 1110

180° Plastic hinge for single cabinets with 16 mm door return



Cut out



\*Countersunk screw smaller head M5x...or blind rivet Ø 5

180° Hinge polyamide GF black; pin polyamide black

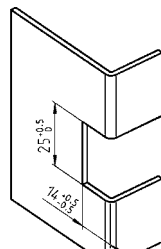
Ts 1.0 - 1.25 mm

1110-U23

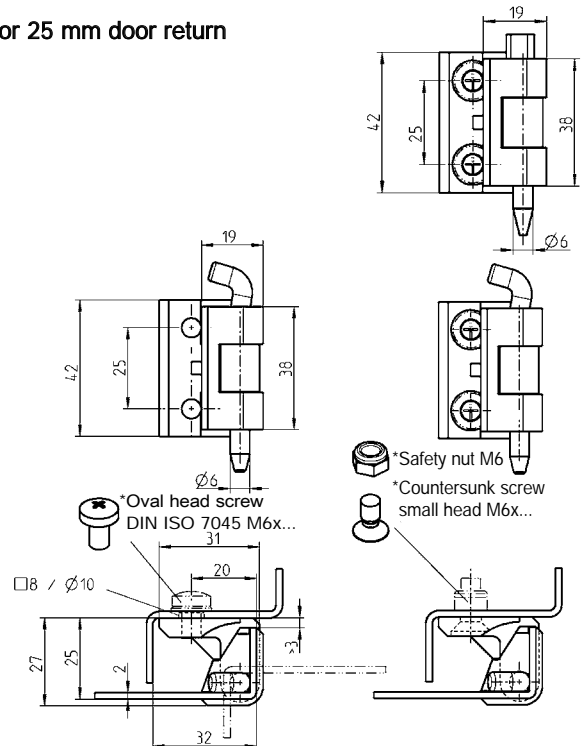
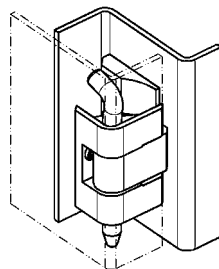
Ts 1.5 - 2.0 mm

1110-U24

180° Hinge for single cabinets for 25 mm door return



Cut out



\*not included in the scope of delivery

Small head = DIN ISO 2009, 2010, 7046-1, 7046-2, 7047

Further parts see page

- 2D Nut

8E-120

- Fixing material

8E-100

180° Hinge zinc die; pin m.s. zinc-plated

chrome-plated

black powder-coated

Locking slug M6

1110-U20

1110-U22

Countersunk hole M6 (2D-nut possible)

1110-U19

1110-U21

180° Hinge polyamide GF black; pin polyamide black

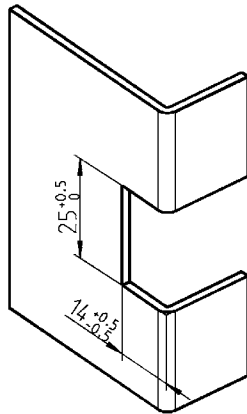
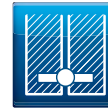
Countersunk hole M6 (2D-nut possible)

1110-U125

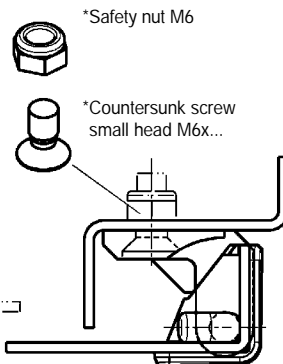
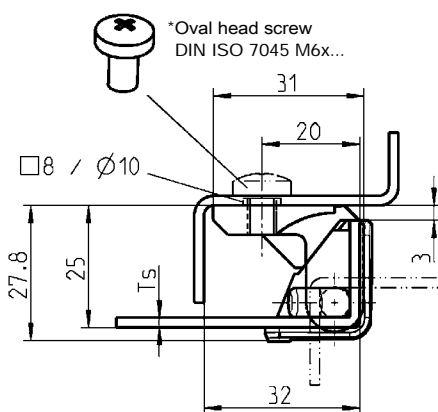
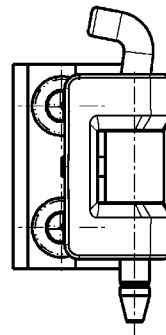
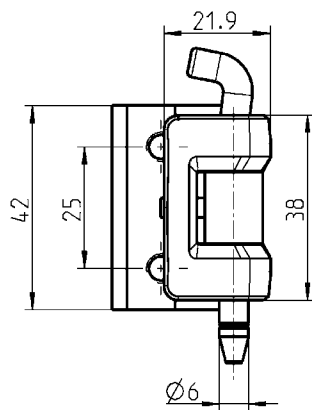
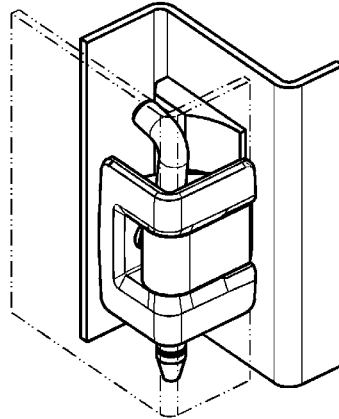
# 180° Hinge

## PROGRAM 1110

180° Hinge for single cabinets for 25 mm door return



Cut out



180° Hinge AISI 316; pin AISI 303

Ts 0.8 – 1.0

Ts 1.5 – 2.0

Locking slug M6

1110-U134

1110-U135

Countersunk hole M6 (2D-nut possible)

1110-U136

1110-U137

© EMKA Beschlagteile GmbH & Co. KG • 2021 • www.emka.com

\*not included in the scope of delivery

Small head = DIN ISO 2009, 2010, 7046-1, 7046-2, 7047

Further parts see page – 2D Nut

8E-120

### 180° Hinge PROGRAM 1110

Info

1 Quarter turns

2 Rod controls

3 Locking systems

4 Hinges

5 Seals

6 Handles

7 Aluminium windows

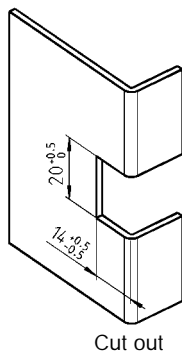
8 Miscellaneous

9 Special catalogues

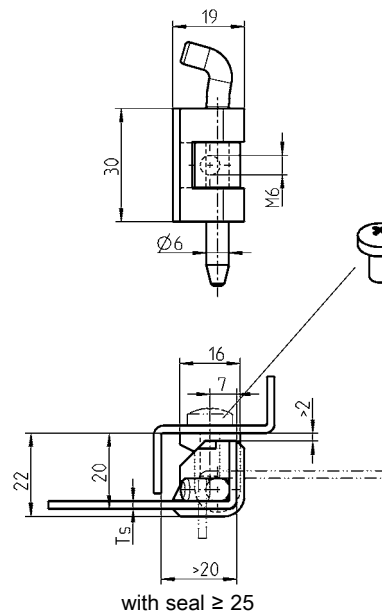
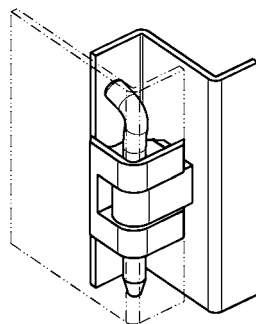
Index



180° Hinge for single cabinets for 20 mm door return



Cut out



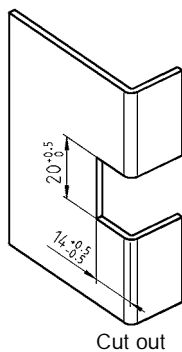
\*Oval head screw  
DIN ISO 7045  
M6x...

180° Hinge zinc die and pin m.s. zinc-plated or AISI 316 and pin 303

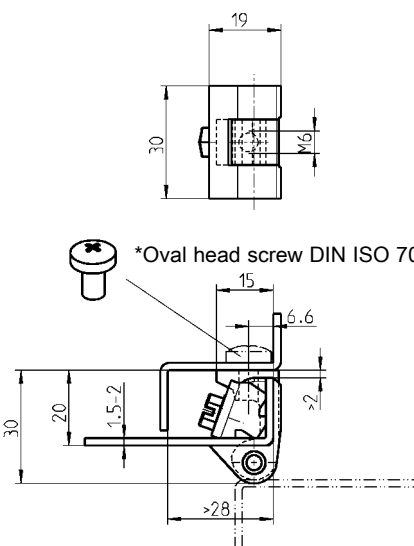
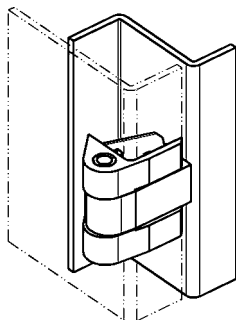
	Ts 0.8 – 1.0	Ts 1.5 – 2.0
Zinc die chrome-plated	–	1110-U2
Zinc die black powder-coated	–	1110-U3
AISI 316	1110-U51	1110-U50



180° Hinge for in-line cabinets with single doors for 20 mm door return



Cut out



\*Oval head screw DIN ISO 7045 M6x...

180° Hinge zinc die or AISI 316; pin m.s. zinc-plated or AISI 304;  
Fixing material m.s. zinc-plated or AISI 303

Zinc die chrome-plated	1110-U4-N
Zinc die black powder-coated	1110-U5-N
AISI 316	1110-U5-NPH

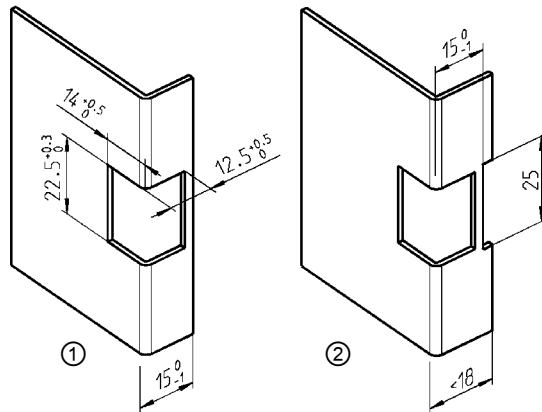
\*not included in the scope of delivery

# 180° Hinge PROGRAM 1110

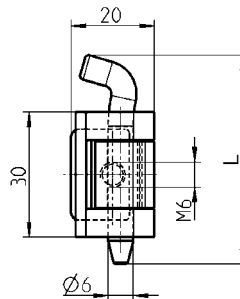
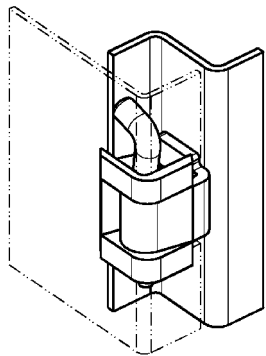
180° Hinge for single cabinets for 20 mm door return



**AISI  
INOX**



Cut out of choice



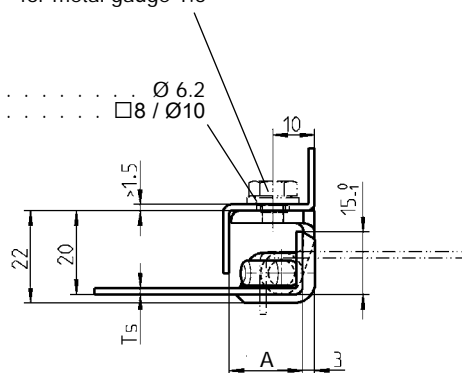
Pin length ①; L = 50  
Pin length ②; L = 66

\* for zinc die / m.s. version:  
locking screw 1000-277-02JB (M6x6)

\* for stainless steel version:  
washer DIN ISO 7089 - 6 and  
hexagon head screw DIN ISO 4017 M6 x 6

for metal gauge 1.5

Zinc-die / m.s. . . . . Ø 6.2  
Stainless steel: . . . . . □8 / Ø10



Cut out ①; A = 17.5  
Cut out ②; A = >19



Frame part with  
thread M6 and  
centering bolt

180° Hinge, door part zinc die black powder-coated;  
frame part m.s. black powder-coated; pin ① m.s. zinc-plated

Ts 1.5 – 2.0 1110-U141

180° Hinge AISI 316; pin ② AISI 303

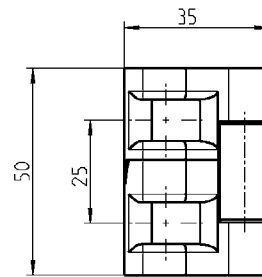
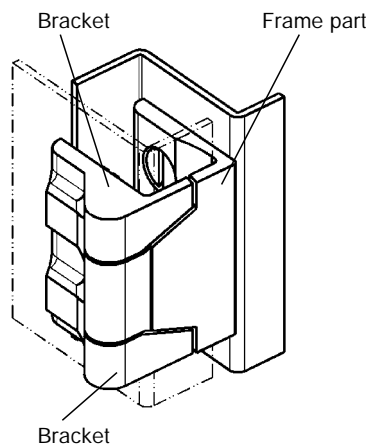
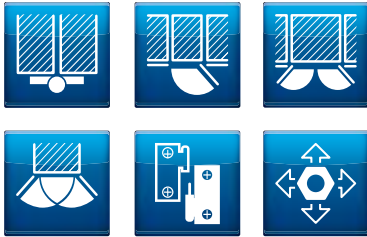
Ts 1.5 1110-U131

Ts 2.0 1110-U132

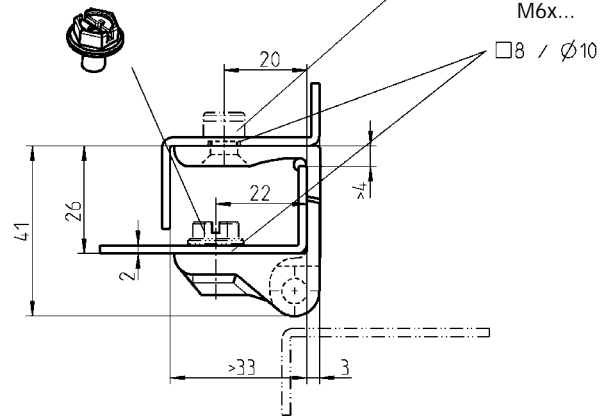
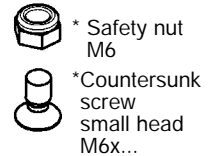
\* not included in the scope of  
delivery

### 180° Hinge PROGRAM 1110

180° Hinge for in-line cabinets with single door,  
135° Lift-off version for 25 mm door return



\*Vibration proof screw 1000-277-03JB (M6x8)



180° Hinge zinc die; pins stainless steel and washers brass

black powder-coated

1110-U52

chrome-plated

1110-U53

180° Hinge for in-line cabinets with single door, lift-off version, for 25 mm door return



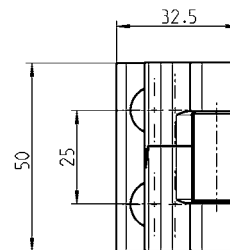
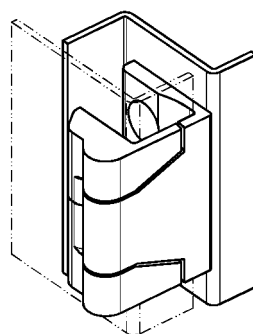
**Note:**  
Can be lifted off by removing the lower bracket

\*not included in the scope of delivery

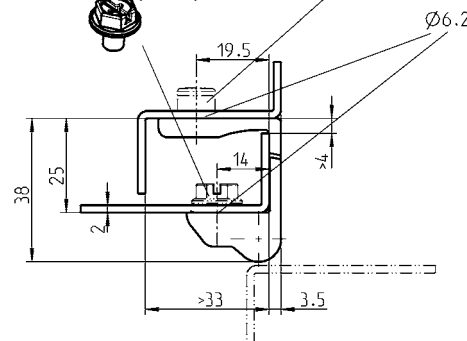
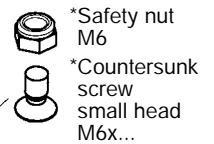
Small head = DIN ISO 2009, 2010, 7046-1, 7046-2, 7047

Further parts see page

- 2D Nut 8E-120  
- Fixing material 8E-100



\*Vibration proof screw 1000-277-03JB (M6x8)



If a reduced gap is required between the door and frame of approx 1-2 mm. then a cut out is required. The deeper the cut out, the closer the door can be to the frame.

180° Hinge zinc die black powder-coated;  
hinge pin m.s. zinc-plated; washer brass

1110-U123

# 120° Hinge

## PROGRAM 1110

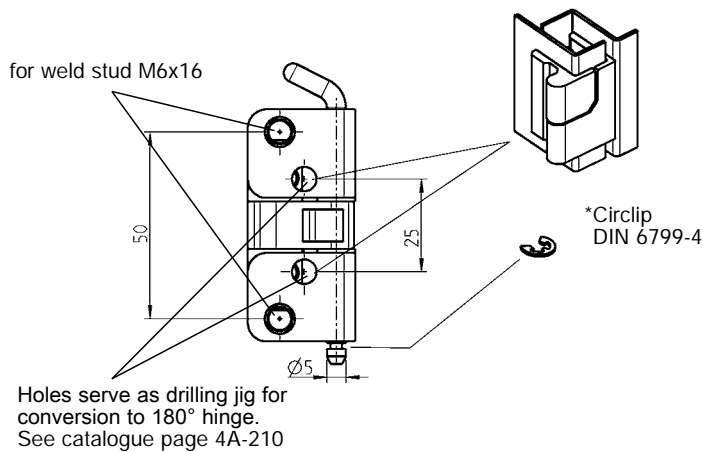
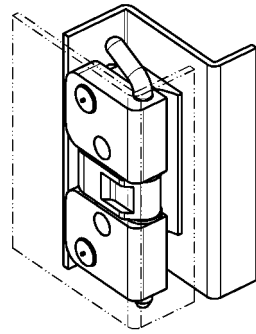
120° Hinge for in-line cabinets with single doors for 25 mm door return



1 Quarter turns

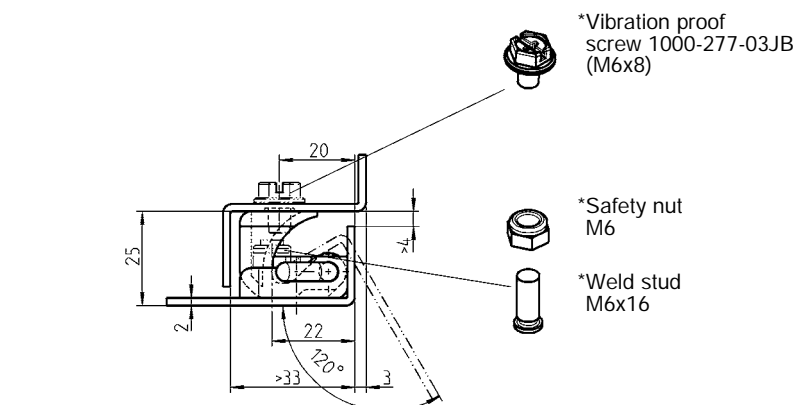


2 Rod controls



3 Locking systems

4 Hinges



5 Seals

6 Handles

Also available in chrome-plated and other RAL colours on request.

\*not included in the scope of delivery

Further parts see page  
– Fixing material

8E-100

120° Hinge zinc die black powder-coated; pin m.s. zinc-plated

1110-U86

7 Aluminium windows

8 Miscellaneous

9 Special catalogues

Index

## 180° Hinge PROGRAM 1110

Beschlagteile

Info

1 Quarter turns



2 Rod controls



3 Locking systems

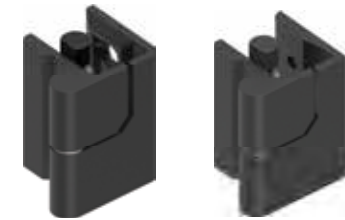
**AISI INOX**



Version A+E

Version C+E

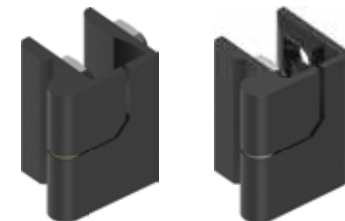
4 Hinges



Version C+E

Version D+E

5 Seals



Version B+F

Version C+F

6 Handles

7 Aluminium windows

\* not included in the scope of delivery

\*\* 2D nut possible

8 Miscellaneous

**Note:**  
Detachable from 70° opening angle, but not with hinge bracket made of m.s. and AISI

Small head = DIN ISO 2009, 2010, 7046-1, 7046-2, 7047

Further parts see page

- 2D Nut 8E-120  
- Fixing material 8E-100

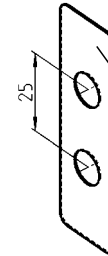
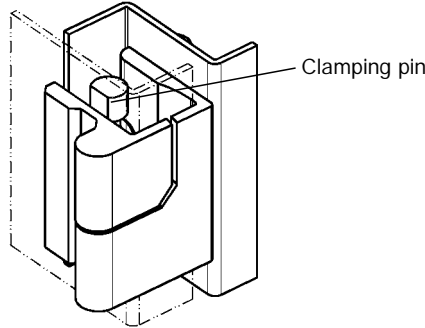
9 Special catalogues

Index

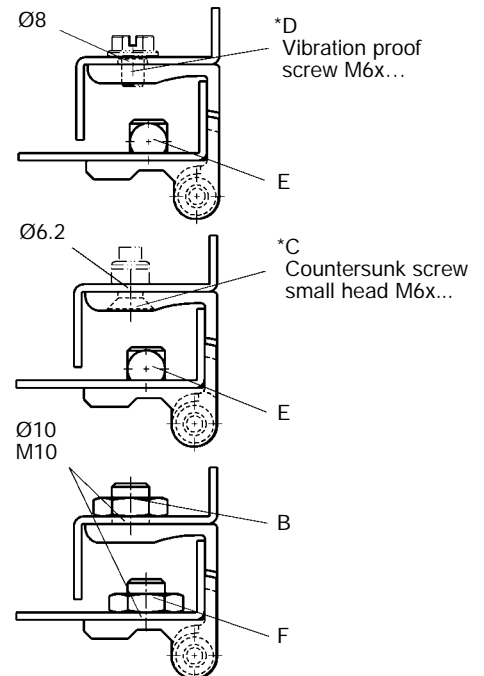
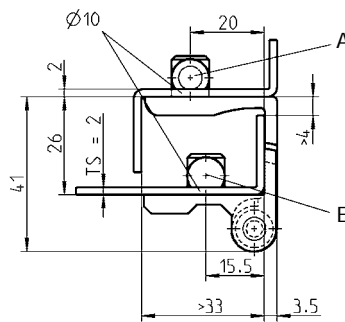
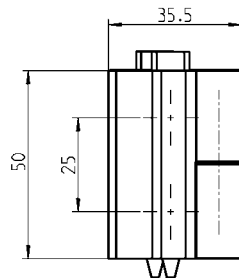


180° Hinge for in-line cabinets with double doors, lift-off from 70° opening angle, for 26 mm door return

Version for Ts = 2



Support plate has to be ordered sep. for different door gauges (1x per clamping pin)



180° Hinge zinc die black powder-coated; fixing pin Polyamide GF black; hinge pin stainless steel and washer brass; nut m.s. zinc-plated

180° Hinge; frame part m.s. black powder-coated; hinge bracket zinc die black powder-coated; fixing pin polyamide GF black; hinge pin stainless steel; nut m.s. zinc-plated

Version	Left	Right
A+E	1110-U71	1110-U68
C+E ** (2D)	1110-U69	1110-U66
D+E	1110-U70	1110-U67
B+F	1110-U109	1110-U106
C+F ** (2D)	1110-U107	1110-U104
D+F	1110-U108	1110-U105

Version	Left	Right
C+E ** (2D)	1110-U118	1110-U119
C+F ** (2D)	1110-U120	1110-U121
<b>180° Hinge AISI 316</b>		
C+F ** (2D)	1110-U120-PH	1110-U121-PH

Support plate 304 (1x per clamping pin)

for Ts 1.0	1110-39-01
for Ts 1.5	1110-39



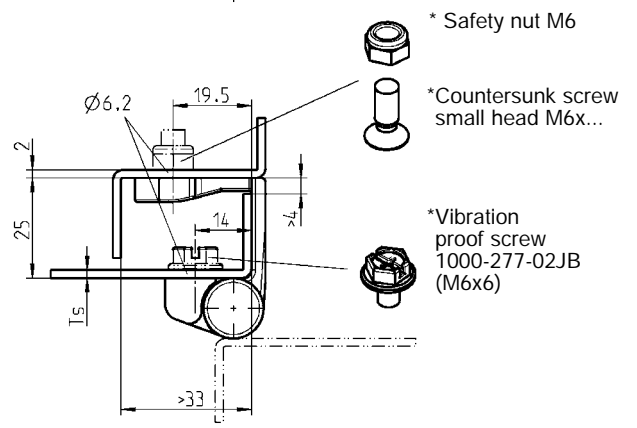
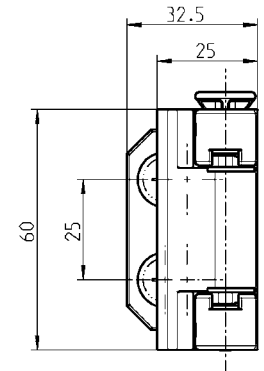
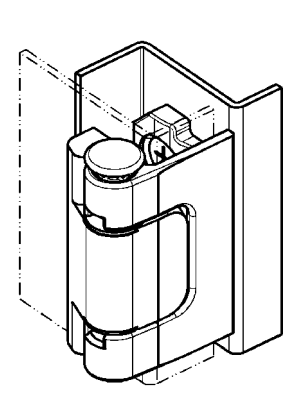
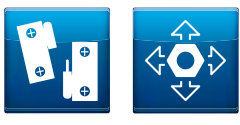


### 180° Hinge with captive pin

#### PROGRAM 1110

180° Hinge for in-line cabinets with single doors can be unhinged at 90° opening angle, for 25 mm door return

Info  
1 Quarter turns  
2 Rod controls  
3 Locking systems  
4 Hinges  
5 Seals  
6 Handles  
7 Aluminium windows  
8 Miscellaneous  
9 Special catalogues  
Index



\*not included in the scope of delivery

Small head = DIN ISO 2009, 2010, 7046-1, 7046-2, 7047

Further parts see page  
- 2D Nut 8E-120  
- Fixing material 8E-100

180° Hinge zinc die black powder-coated; hinge pin and washer polyamide GF black; shaft clamping ring POM red

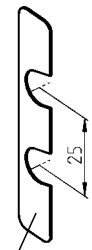
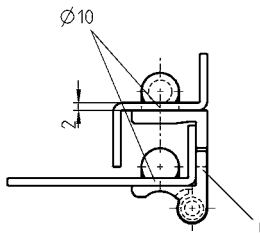
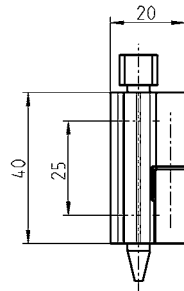
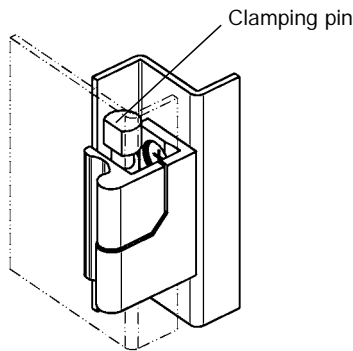
	Ts = 2.0
(2D nut possible)	1110-U142
Bracket with fixing pin, clamp-on	on request

# 180° Hinge

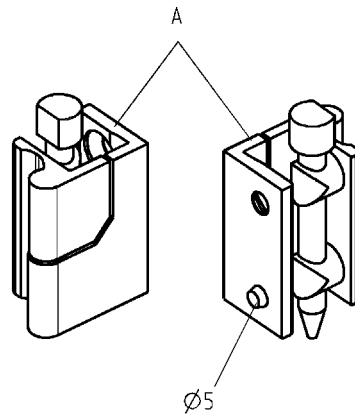
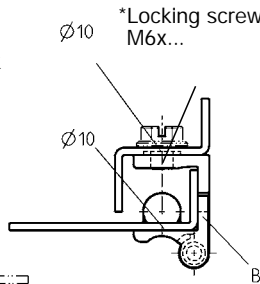
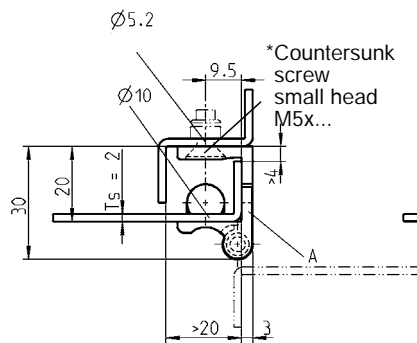
## PROGRAM 1110

180° Hinge for in-line cabinets with double doors,  
lift-off from 70° opening angle, for 20 mm door return

Version for  
Ts = 2



Support plate has to be ordered  
sep. for different door gauges  
(1x per clamping pin)



Only for version A

Also available in chrome-plated  
and other RAL colours on request.

180° Hinge zinc die black powder-coated; fixing pin polyamide GF black;  
hinge pin stainless steel and washer brass

Version A	Right	1110-U78
	Left	1110-U81
Version B	Right	1110-U79
	Left	1110-U82
Version C	Right	1110-U80
	Left	1110-U83

Support plate 304 (1x per clamping pin)

for Ts 1.0	1110-39-03
for Ts 1.5	1110-39-02



Version A



Version B



Version C

\*not included in the scope of  
delivery

Small head = DIN ISO 2009,  
2010, 7046-1, 7046-2, 7047

Further parts see page  
– Fixing material

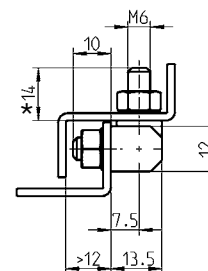
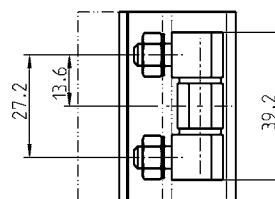
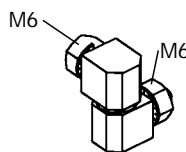
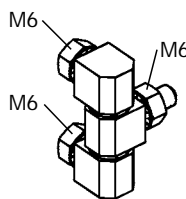
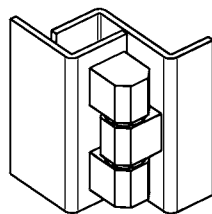
8E-100

### 180° Screw-on hinge PROGRAM 1055, 1039

180° Screw-on hinge



AISI INOX

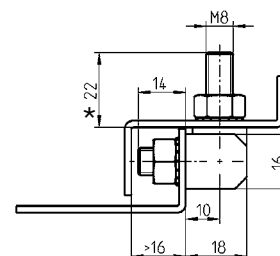
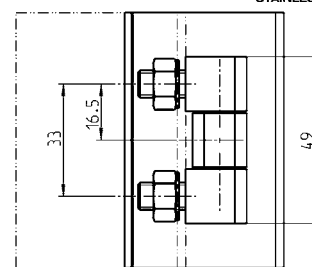
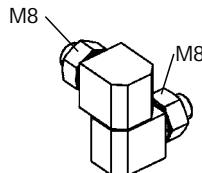
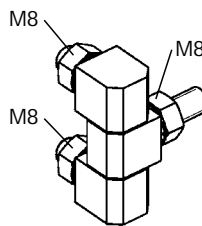
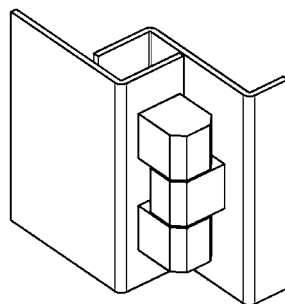


\* = 10 mm with two-piece hinge

180° Screw-on hinge m.s. zinc-plated;  
pin and washers brass nickel-plated or completely stainless steel

- three-piece	m.s.	1055-U2
	AISI 303	1055-U6
	AISI 316	1055-U8
- two-piece	m.s.	1055-U5

180° Screw-on hinge



\* = 14 mm with two-piece hinge

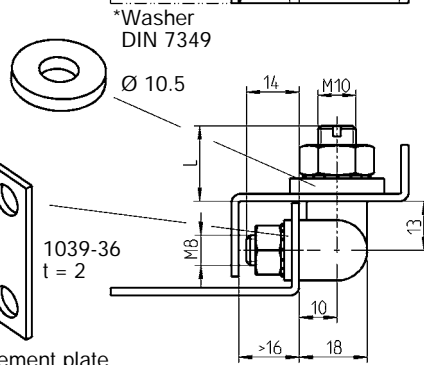
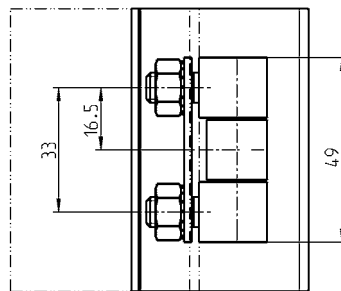
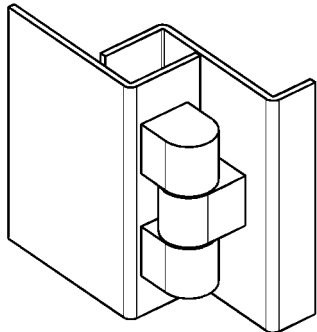
180° Screw-on hinge m.s. zinc-plated; pin and washers brass nickel-plated  
or completely stainless steel

- three-piece	m.s.	1039-U12
	AISI 303	1039-U19
	AISI 316	1039-U26
- two-piece	m.s.	1039-U17

# Hinge

## PROGRAM 1039, 1035

180° Screw-on hinge,  
e.g. for pressure-tight doors



Reinforcement plate

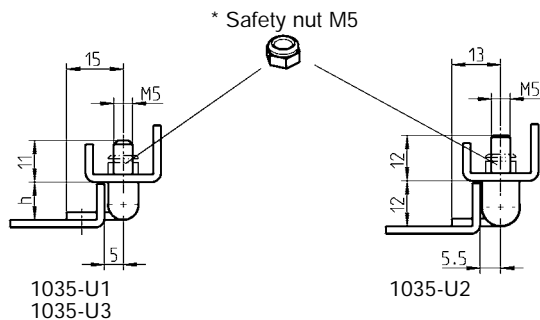
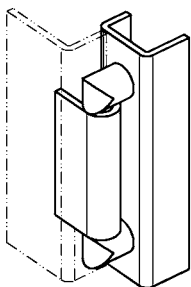
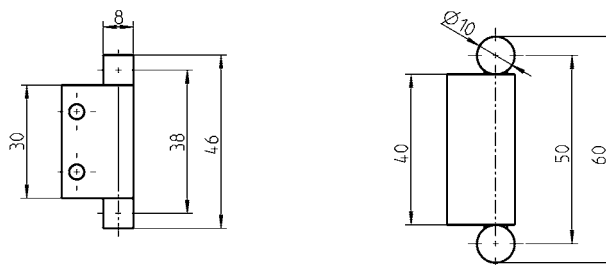
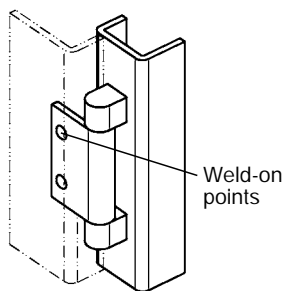
180° Screw-on hinge tempered C35, zinc-plated; pin and washers brass nickel-plated

Stud length	L = 20 mm	1039-U6
	55 mm	1039-U7
	65 mm	1039-U8

Reinforcement plate m.s. zinc-plated

1039-36

### 180° Hinge



1035-U1  
1035-U3

1035-U2

180° Hinge m.s. zinc-plated;  
hinge leaf m.s. raw

h = 10	1035-U1
12	1035-U3

180° Hinge m.s. zinc-plated;  
hinge leaf m.s. raw

1035-U2



1 Quarter turns

2 Rod controls

3 Locking systems

4 Hinges

5 Seals

6 Handles

7 Aluminium windows

8 Miscellaneous

9 Special catalogues

Index



\*not included in the scope of delivery

### Hinge PROGRAM 1054, 1105

Info

1 Quarter turns



2 Rod controls



3 Locking systems



4 Hinges

5 Seals



6 Handles

7 Aluminium windows

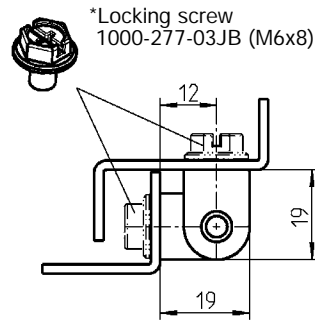
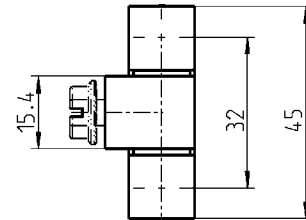
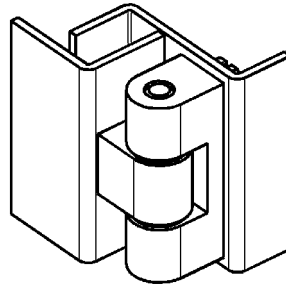
8 Miscellaneous



9 Special catalogues

Index

180° Screw-on hinge



180° Screw-on hinge zinc die;  
pin stainless steel and bushes polyamide

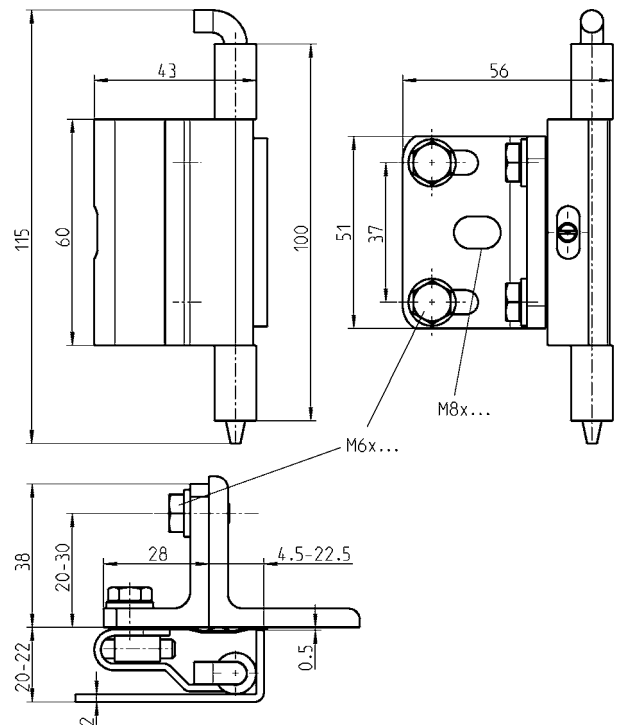
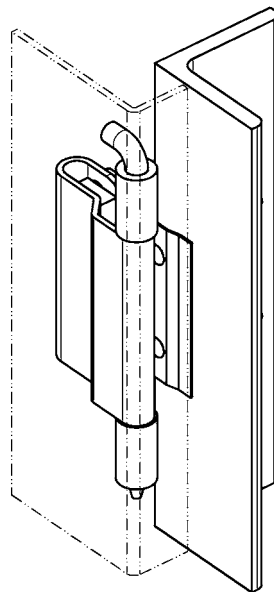
chrome-plated

1054-U1

black powder-coated

1054-U30

130° Spring-loaded hinge



\*not included in the scope of delivery

130° Spring loaded hinge m.s. zinc-plated;  
door part m.s. raw, spring stainless steel blank

1105-U1

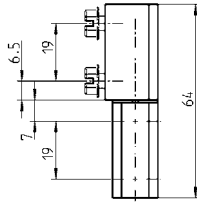
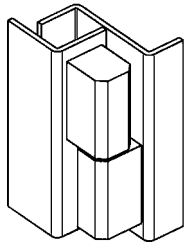
# Screw-on hinge

## PROGRAM 1056, 1079

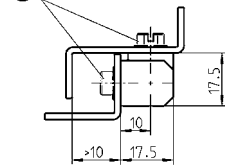
EDELSTAHL® 180° Screw-on hinge



STAINLESS STEEL



\*Vibration-proof screw  
1000-277-09JB  
(M5x6) or  
M5x8 with  
washer

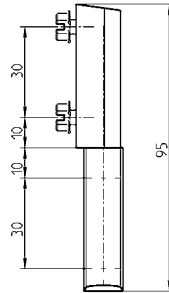
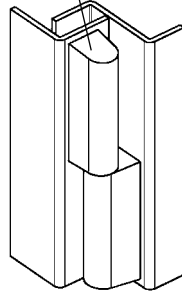


180° Screw-on hinge zinc die  
black powder-coated or AISI 316

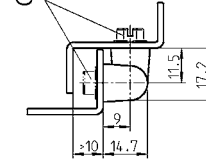
Zinc die	1056-U34
AISI 316	1056-U34-PH

180° Plastic screw-on hinge

Slant against dirt deposits



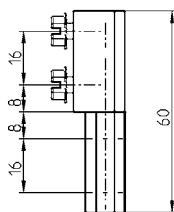
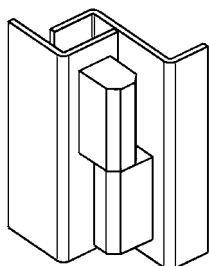
\*Vibration-proof screw  
1000-277-09JB  
(M5x6)



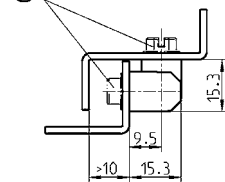
Plastic screw-on hinge polyamide GF black;  
pin stainless steel and insert part m.s. raw

1079-U2

180° Plastic screw-on hinge



\*Vibration-proof screw  
1000-277-09JB  
(M5x6)



Plastic screw-on hinge polyamide GF black;  
pin stainless steel and insert part m.s. raw

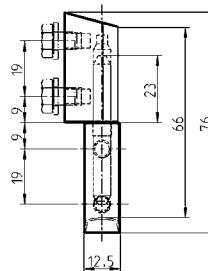
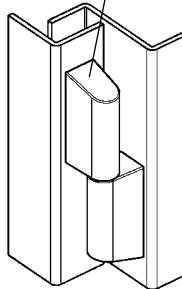
1079-U4

EDELSTAHL® 180° Stainless steel screw-on hinge

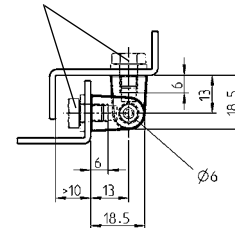


STAINLESS STEEL

Slant against dirt deposits

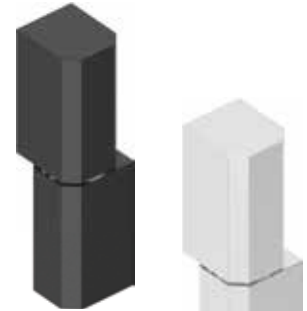


\*M6x8 with washer

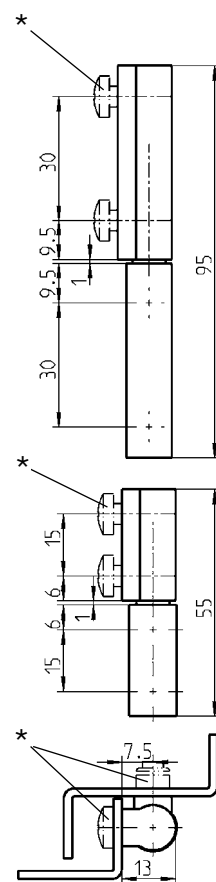
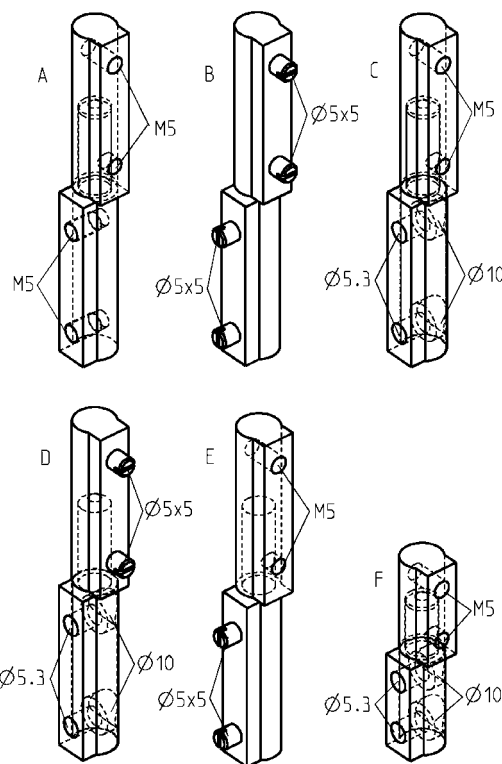
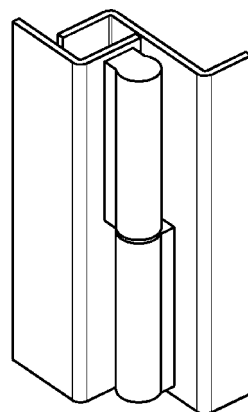


Stainless steel screw-on hinge AISI 316

1079-U5-PH



\*not included in the scope of delivery



\*not included in the scope of delivery

Profile hinge m.s. zinc-plated; with weld-on stud m.s. raw; covering sleeve stainless steel

A	1036-U2
B	1036-U3
C **	1036-U4
D **	1036-U5
E	1036-U6
F **	1036-U7

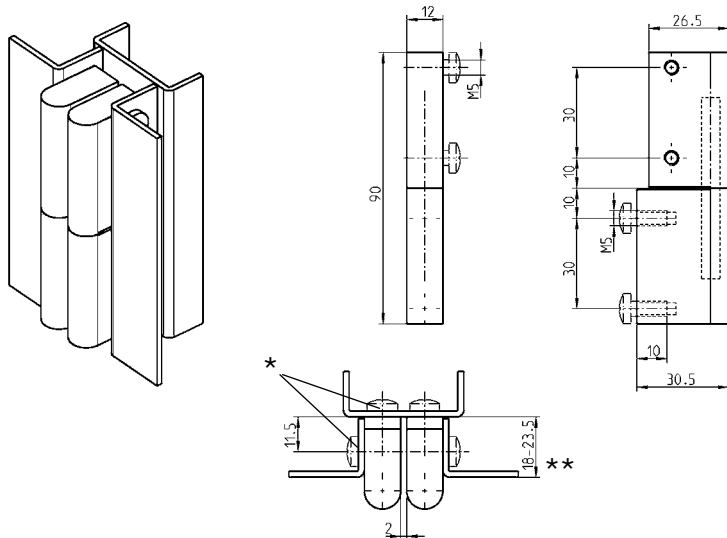
\*\* = Covering sleeve



# Hinge

## PROGRAM 1033, 1036

Screw-on hinge



\*\*In case of 18 mm, an opening angle of 180° for in-line cabinets with double doors is possible.

**Screw-on hinge zinc die; pin stainless steel**

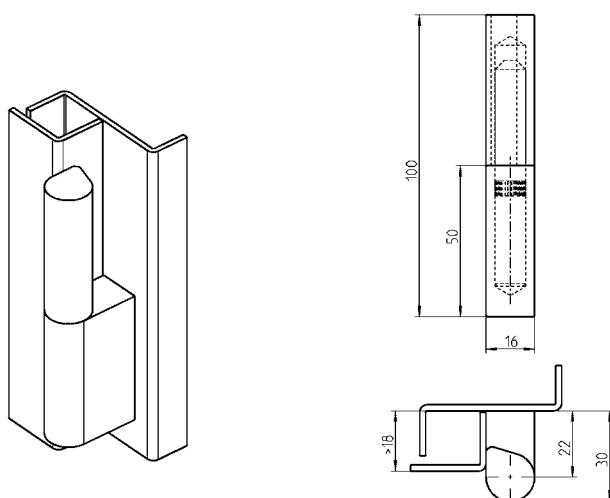
chrome-plated

1036-U9

black powder-coated

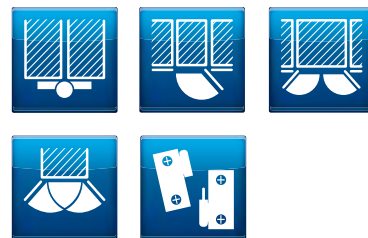
1036-U10

**180° Hinge for in-line cabinets with single doors**



**180° Weld-on hinge m.s. raw**

1033-U44



1 Quarter turns

2 Rod controls

3 Locking systems

4 Hinges

5 Seals

6 Handles

7 Aluminium windows

8 Miscellaneous

9 Special catalogues

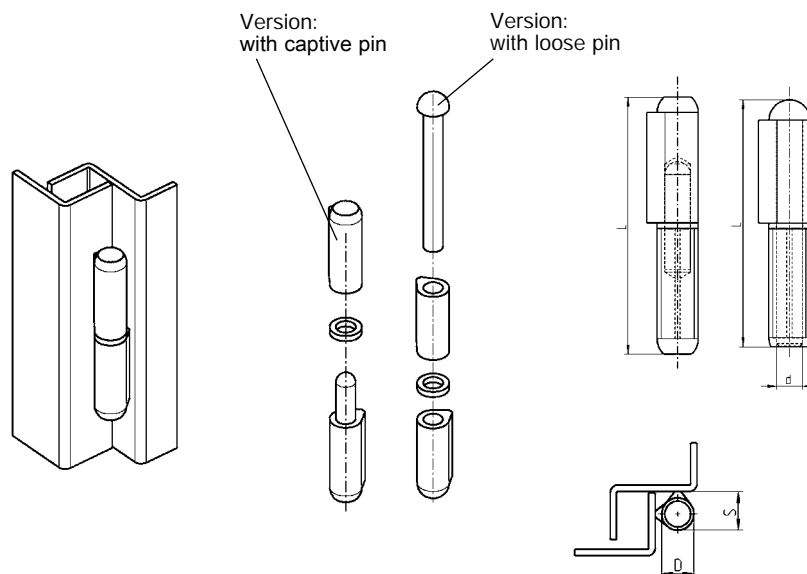
Index



\*not included in the scope of delivery



Weld-on hinge



Note:  
L-dimensions are nominal;  
weld-on hinges  
may be smaller

### Version with captive pin; material of choice

L	D	d	S	m.s. raw Pin m.s.	m.s. raw Pin brass	AISI 304 Pin AISI 304
40	8	5	9.5	1033-U1*	1033-U14*	-
50	8	5	9.5	1033-U2*	1033-U15*	-
60	10	6	12.0	1033-U3*	1033-U16*	1033-U70
70	10	7	12.0	1033-U4*	1033-U17*	-
80	13	8	15.5	1033-U5*	1033-U18*	1033-U71
100	16	10	20.0	1033-U7*	1033-U20*	1033-U72
120	16	11	20.0	1033-U8*	1033-U21*	1033-U73
135	18	12	22.0	1033-U9	1033-U22	-
150	20	13	25.0	1033-U11	1033-U24	1033-U74
180	20	14	25.0	1033-U13*	1033-U26*	1033-U75
200	23	16	28.5	1033-U60	1033-U61	-

\* = in stock

### Version with loose pin; material of choice

L	D	d	S	m.s. raw Pin m.s.	m.s. raw Pin brass	AISI 304 Pin AISI 304
40	8	5	9.5	1033-U27	1033-U35	-
50	8	5	9.5	1033-U55	1033-U56	-
60	10	6	12.0	1033-U28	1033-U36	-
70	10	7	12.0	1033-U57	1033-U58	-
80	13	8	15.5	1033-U29	1033-U37	-
100	16	10	20.0	1033-U30	1033-U38	-
120	16	11	20.0	1033-U31	1033-U39	-
135	18	12	22.0	1033-U32	1033-U40	-
150	20	13	25.0	1033-U33	1033-U41	-
180	20	14	25.0	1033-U34	1033-U42	-
200	23	16	28.5	1033-U63	1033-U64	-

For the version with captive pin,  
the upper part can be ordered  
with grease nipple from L-dimen-  
sion 80 onwards on request.

Weld-on hinges made  
of aluminium on request!

# Hinge

## PROGRAM 1054



1 Quarter turns

2 Rod controls

3 Locking systems

4 Hinges

5 Seals

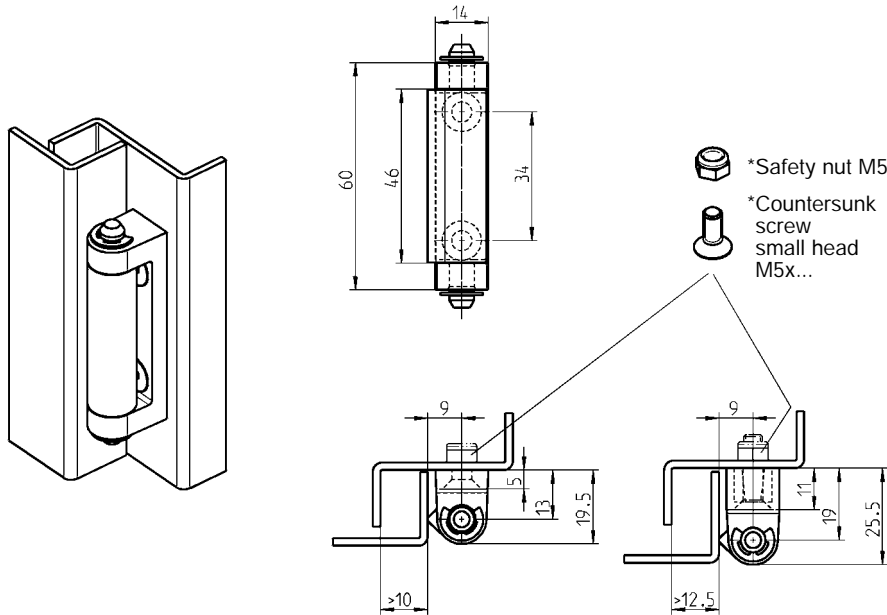
6 Handles

7 Aluminium windows

8 Miscellaneous

9 Special catalogues

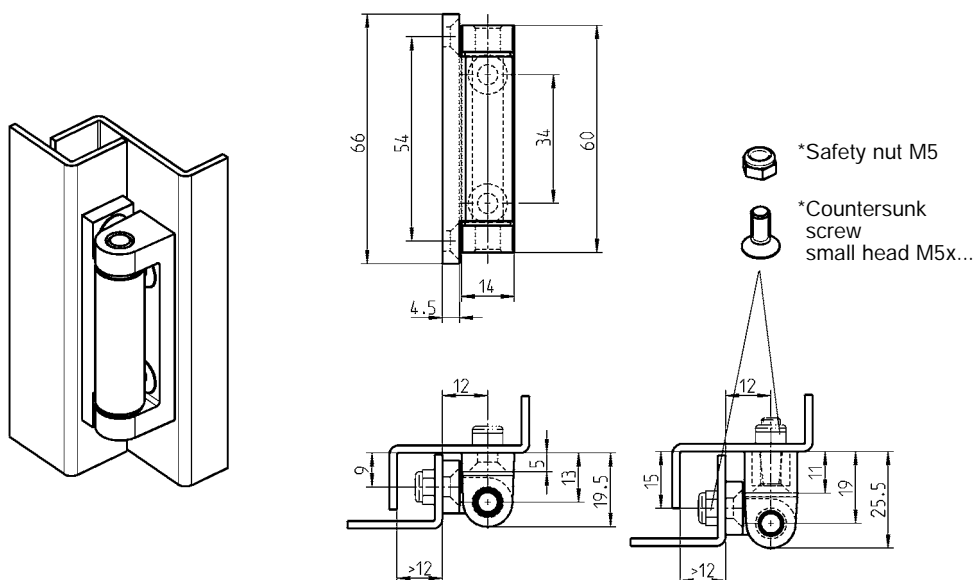
Index



Hinge zinc die; middle part m.s. raw; pin and washer m.s. zinc-plated

	Dim. 19.5	Dim. 25.5
chrome-plated	1054-U2	1054-U14
black powder-coated	1054-U8	1054-U15
raw	1054-U26 **	1054-U25 **

\*\* = Minimum order quantity: 1000 pieces



Hinge zinc die; pin stainless steel and bushes polyamide

	Dim. 19.5	Dim. 25.5
chrome-plated	1054-U3	1054-U16
black powder-coated	1054-U9	1054-U17
raw	1054-U23 **	1054-U24 **

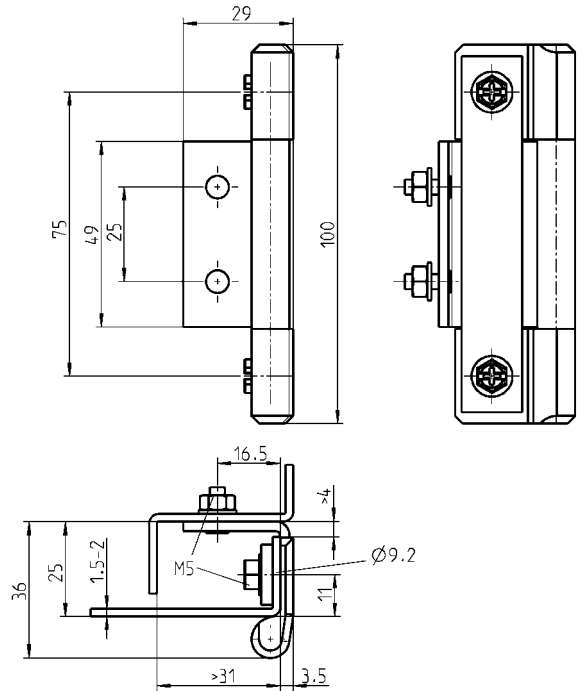
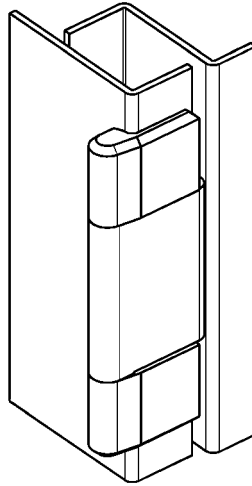
\*\* = Minimum order quantity: 1000 pieces

\*not included in the scope of delivery

Small head = DIN ISO 2009, 2010, 7046-1, 7046-2, 7047

### 180° Hinge PROGRAM 1110

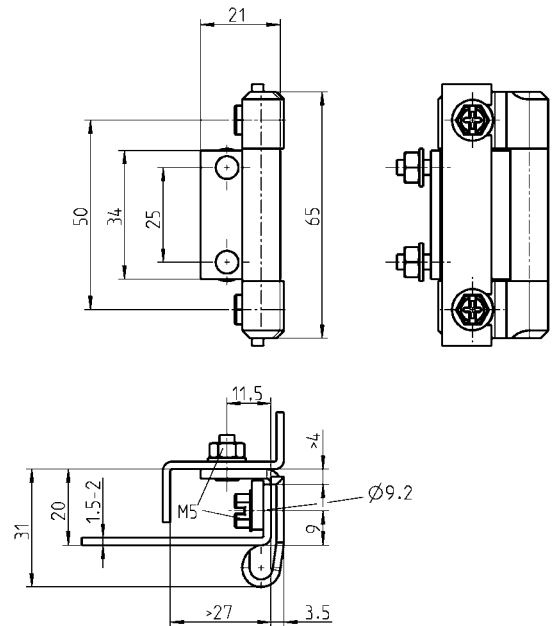
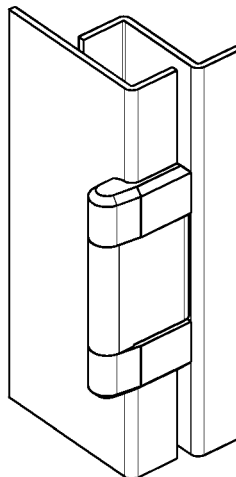
180° Hinge for in-line cabinets with double doors, for 25 mm door return



180° Hinge part m.s. black; door part zinc die black powder-coated;  
fixing material m.s. zinc-plated

1110-U26

180° Hinge for in-line cabinets with double doors, for 20 mm door return

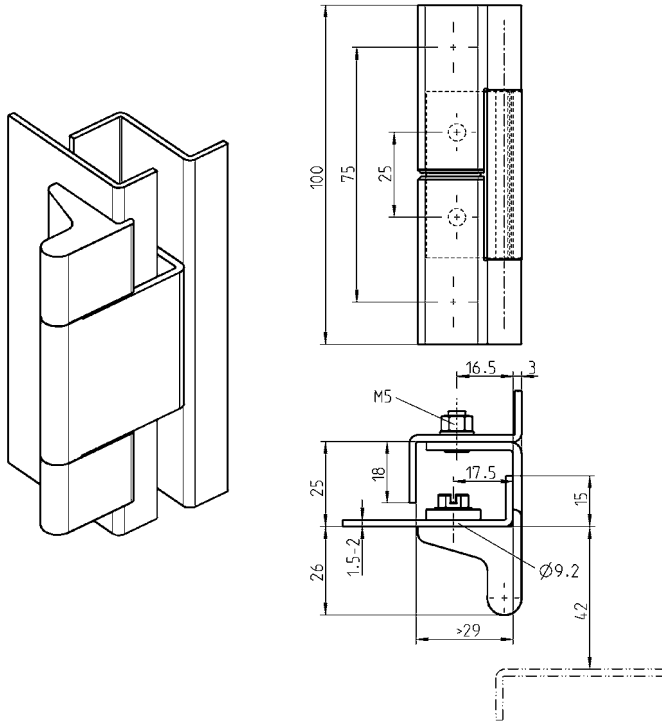


180° Hinge part m.s. black; door part zinc die black powder-coated;  
fixing material m.s. zinc-plated

1110-U114

# 180° Hinge PROGRAM 1110

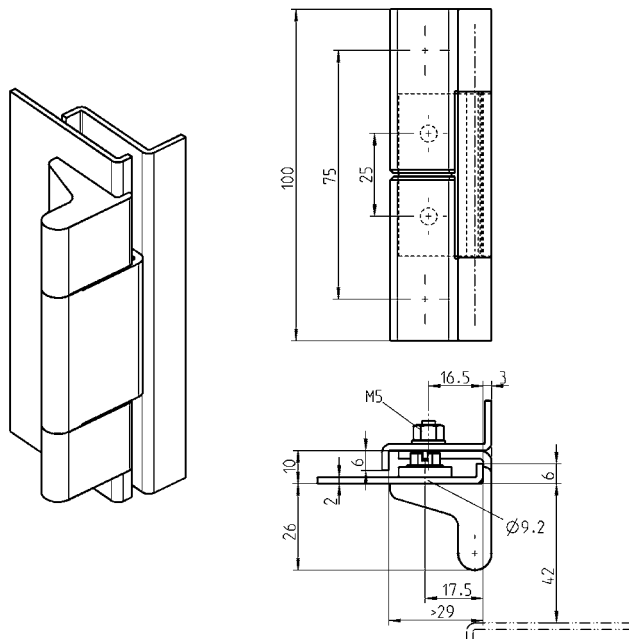
180° Hinge for in-line cabinets with double doors, for 25 mm door return



180° Hinge part m.s. black; door part zinc die black powder-coated;  
fixing material m.s. zinc-plated

1110-U112

180° Hinge for in-line cabinets with double doors, for 10 mm door return



180° Hinge part m.s. black; door part zinc die black powder-coated;  
fixing material m.s. zinc-plated

1110-U113



# 120° Hinge with quick fastening system PROGRAM 1110

Info

1 Quarter turns



2 Rod controls



3 Locking systems

4 Hinges



5 Seals

6 Handles

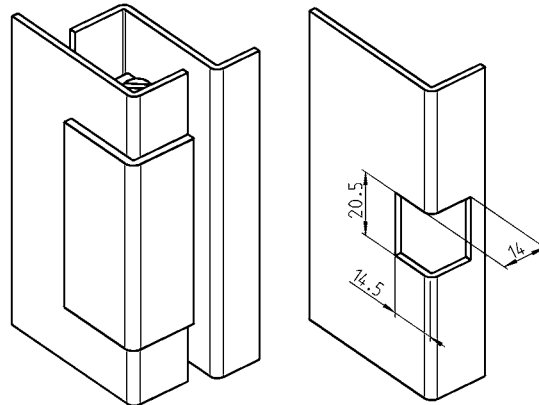
7 Aluminium windows

8 Miscellaneous

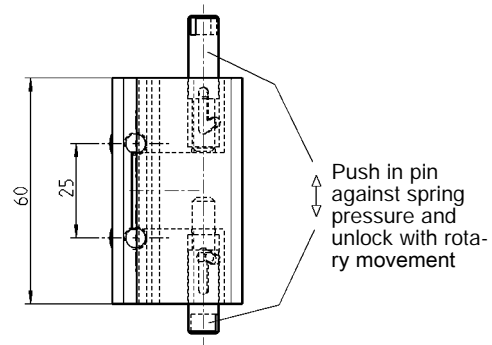
9 Special catalogues

Index

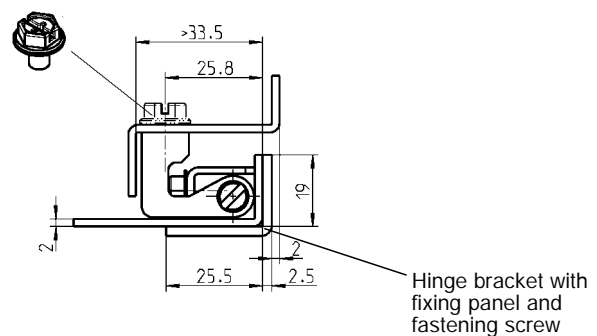
120° Hinge for 25 mm door return  
Easy assembly / disassembly of the door



Cut out



\*Vibration-proof screw  
1000-277-03JB  
M6x8



Fixing panel with tips suitable for earthing.

\*not included in the scope of delivery

120° Hinge zinc die black powder-coated;  
fixing material m.s. zinc-plated

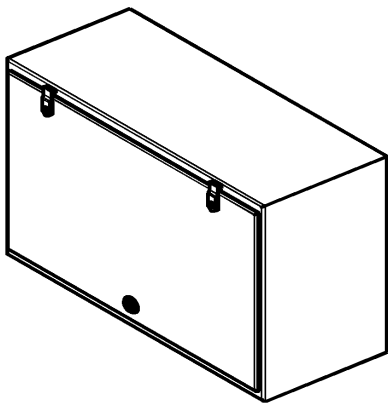
1110-U111

4A-480

# 135° Integral hinge for light doors and flaps

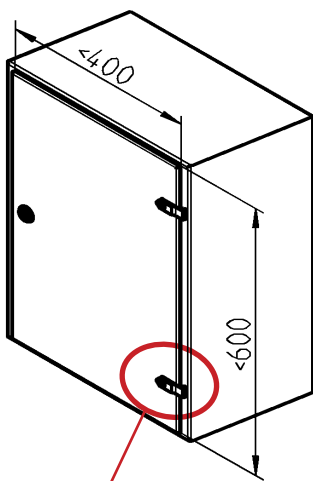
PROGRAM 1126

Installation situation flap



Detail A  
Door closed

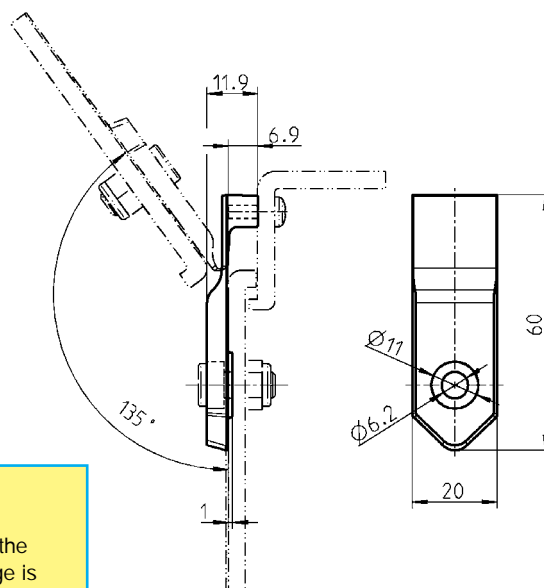
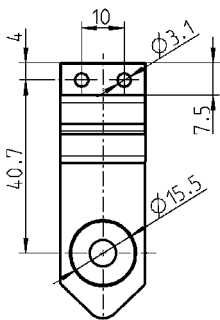
Installation situation door



Detail A



Detail A  
Door opened



## Product benefits

- Special plastic guarantees that the bending axis of the integral hinge is permanently protected against brittleness or failure
- Easy to assemble
- Low-priced

135° Integral hinge modified to impact strength polyamide black

on request

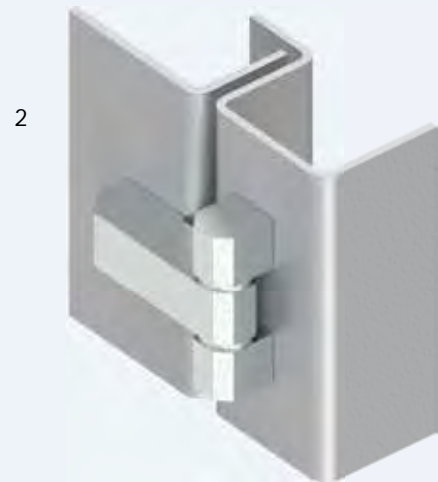
## Application:

This integral hinge is suitable for light doors and flaps with low opening frequency, e.g. made of plastic.

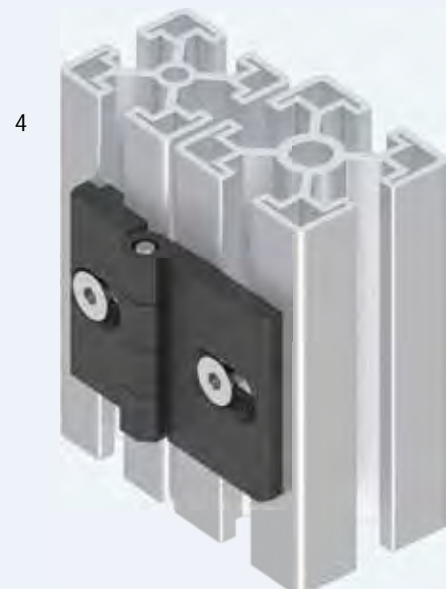
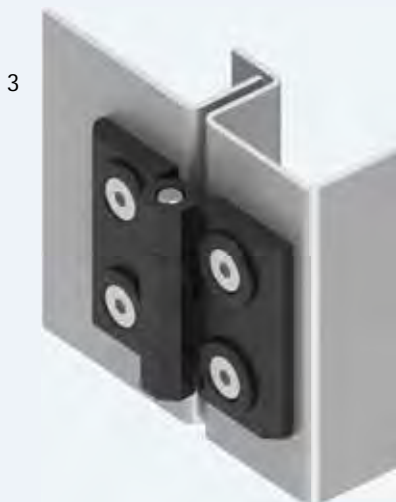
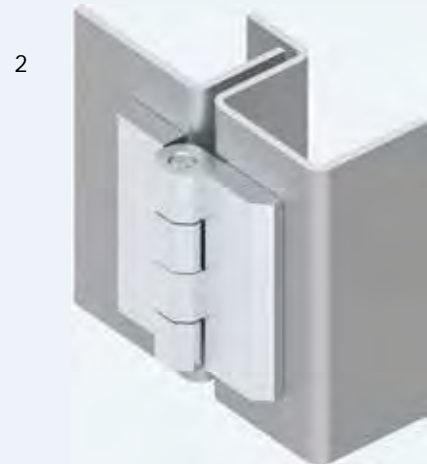
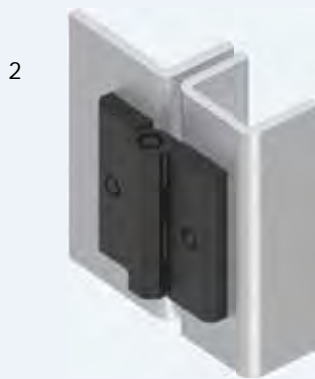
## Technical Data:

2,000 cycles  
at 135° open-close  
in case of a load of approx. 2.5 kg  
door weight / hinge  
(recommended load per hinge)

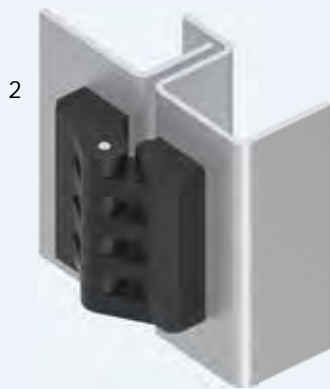
# Hinge for flush door



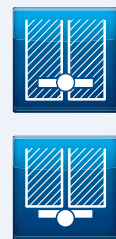
Door and housing / frame pictured transparent







- |   |   |                          |
|---|---|--------------------------|
| 1 | 90° and 180° Concealed hinge              | 4B-120 to 4B-140         |
| 2 | 180° and 270° Prominent hinge             | 4B-160 to 4B-220, 4B-245 |
| 3 | 180° 2D Prominent hinge                   | 4B-215                   |
| 4 | 180° Prominent hinge for profile rails    | 4B-230                   |
| 5 | 180° Prominent hinge and lift-off version | 4B-240                   |
| 6 | 180° Prominent hinge                      | 4B-280 to 4B-300         |
| 7 | 180° 2D and 3D Prominent hinge            | 4B-248 to 4B-260         |



# 4B-100

## 90° Concealed hinge PROGRAM 1006, 1007

Beschlagteile

Info

1 Quarter turns



2 Rod controls



3 Locking systems



4 Hinges

5 Seals

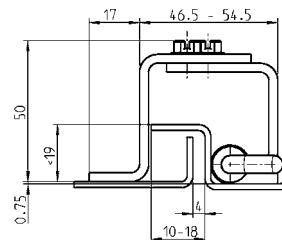
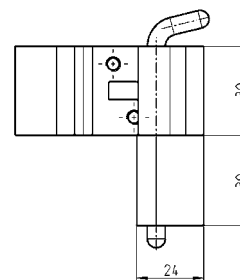
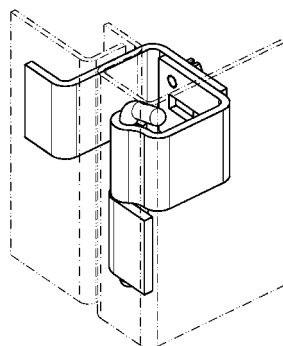
6 Handles

7 Aluminium windows

8 Miscellaneous

9 Special catalogues

Index



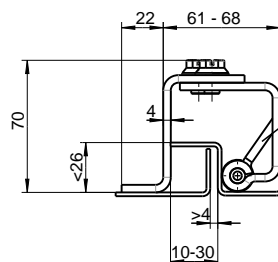
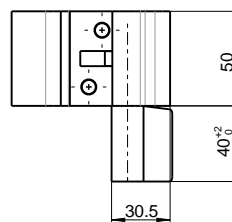
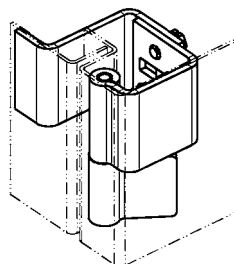
### Concealed hinge

m.s. zinc-plated, weld-on part m.s. raw

1006-U1

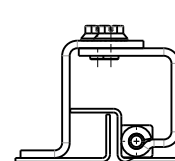
AISI 304 and AISI 303

1006-U1-PC



Hinge pin with lug

Hinge pin with square



### Concealed hinge m.s. zinc-plated, weld-on parts m.s. raw

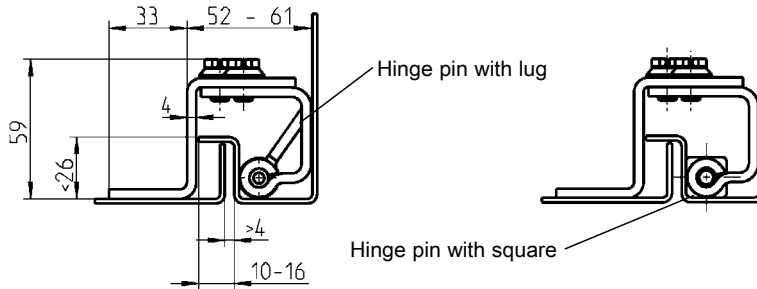
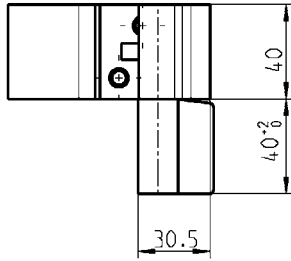
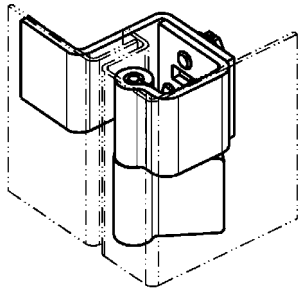
Hinge pin with lug

1007-U2

Hinge pin with square (17x50)

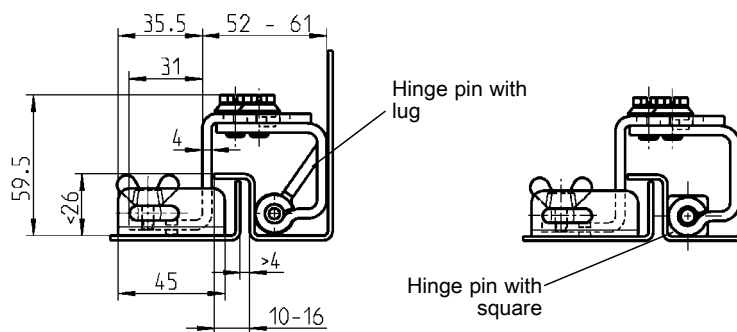
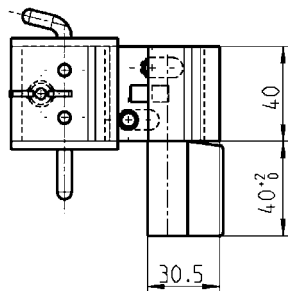
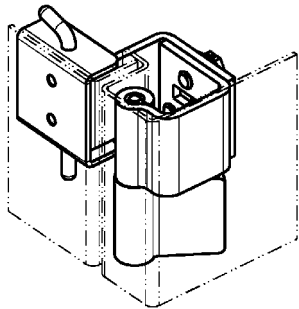
1007-U1

# 90° Concealed hinge PROGRAM 1046



### Concealed hinge m.s. zinc-plated., weld-on parts m.s. raw or AISI 304 and AISI 303

	m.s.	AISI 304
Hinge pin with lug	1046-U1	1046-U5
Base (square 17x50)	1046-U3	-



### Concealed hinge m.s. zinc-plated, weld-on parts m.s. raw

Hinge pin with lug	1046-U2
Base (square 17x50)	1046-U4

Info

1 Quarter turns



2 Rod controls



3 Locking systems



Spring for LH-version

4 Hinges

5 Seals

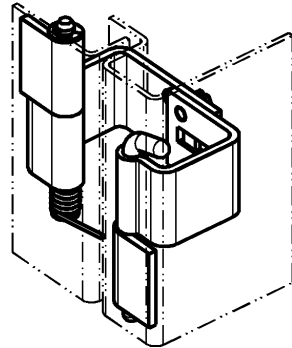
6 Handles

7 Aluminium windows

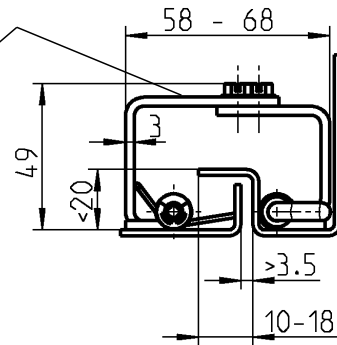
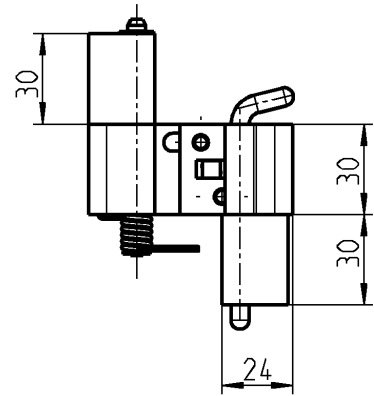
8 Miscellaneous

9 Special catalogues

Index

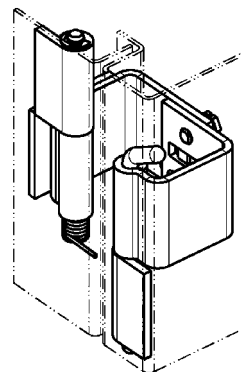


If necessary, connect hinge with flat steel

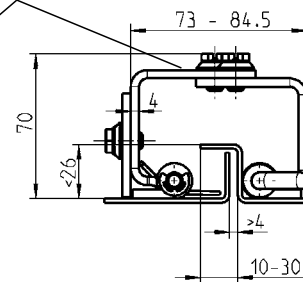
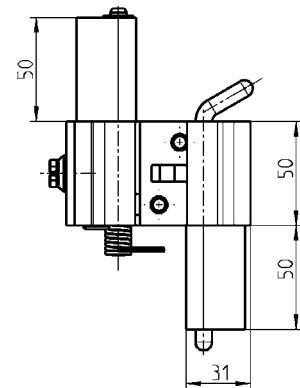


180° Concealed hinge m.s. zinc-plated, spring material spring steel, weld-on parts m.s. raw

1042-U1



If necessary, connect hinge with flat steel

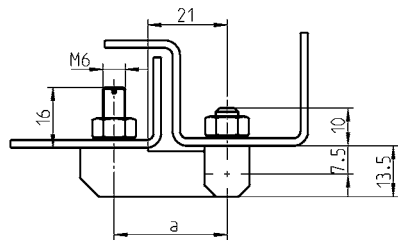
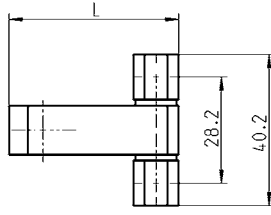
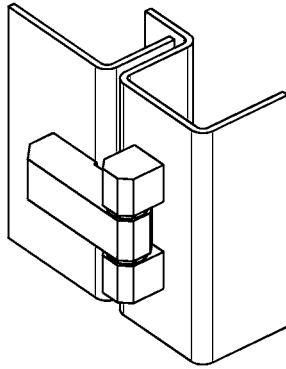


180° Concealed hinge m.s. zinc-plated, spring material spring steel, weld-on parts m.s. raw

1043-U1

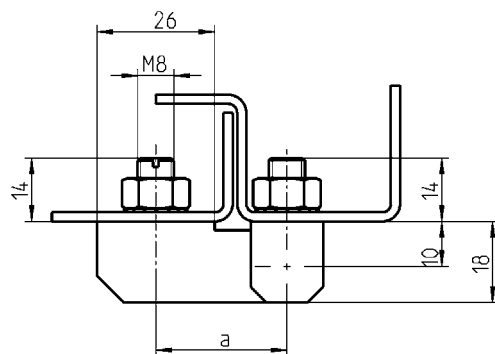
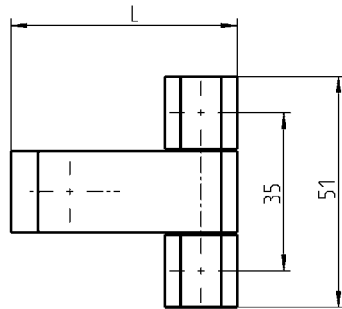
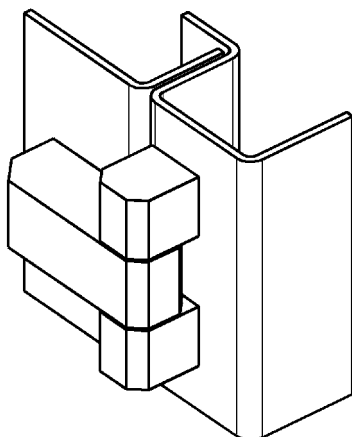
# 180° Screw-on hinge

## PROGRAM 1039, 1055



Screw-on hinge m.s. zinc-plated, pin and washers brass nickel-plated or completely stainless steel

L	a	m.s.	AISI 303	AISI 316
45	30	1055-U3	1055-U7	1055-U9
53	38	1055-U4	-	-



Screw-on hinge m.s. zinc-plated, pin and washers brass nickel-plated or completely stainless steel

L	a	m.s.	AISI 303	AISI 316
50	29	1039-U10	1039-U18	1039-U25
61	40	1039-U11	-	-

Info

1 Quarter turns

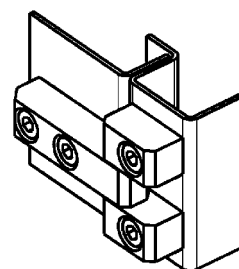
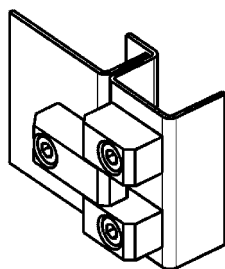


2 Rod controls

3 Locking systems



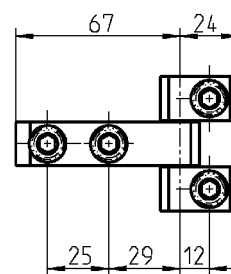
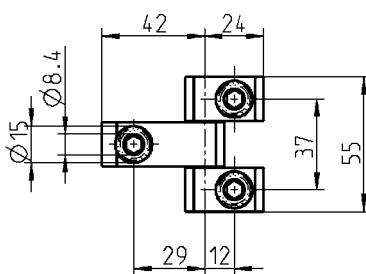
4 Hinges



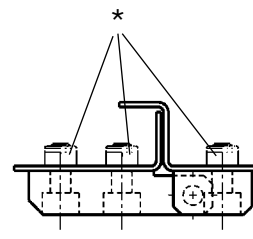
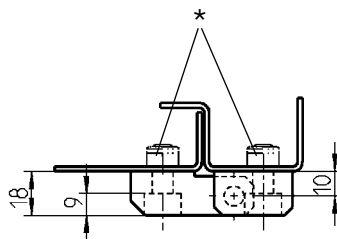
5 Seals



6 Handles



7 Aluminium windows



8 Miscellaneous

\*not included in the scope of delivery

9 Special catalogues

Index

4B-170

**Screw-on hinge m.s. zinc-plated, pin and washers brass nickel-plated**

Middle part short with one bore hole Ø 8.4 mm

1039-U13

Middle part short without bore hole for weld-on

1039-U14

Middle part long with two bore holes Ø 8.4 mm

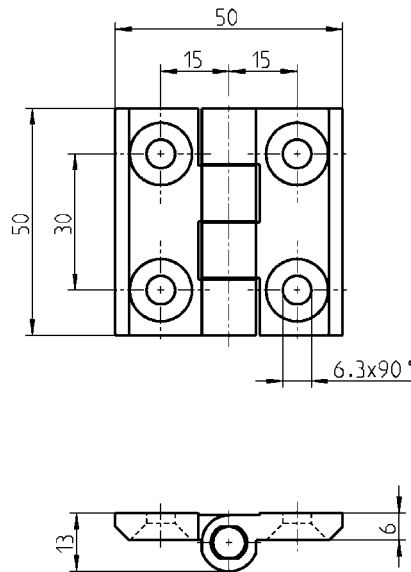
1039-U15

# 180° Screw-on torque hinge

## PROGRAM 1056

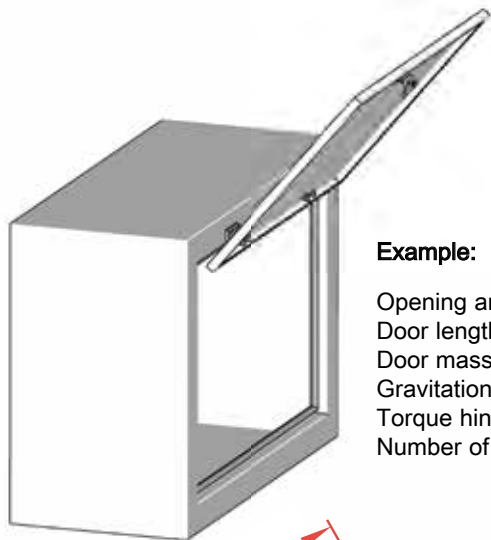
#### Product benefits

- Holds any position continuously at adequate load
- Constant torque across 180° adjustment range
- Same torque during opening and closing
- Compatible with all hinges of the 1056 program with identical cut out
- Can replace door stops, cover stays or gas springs depending on installation location



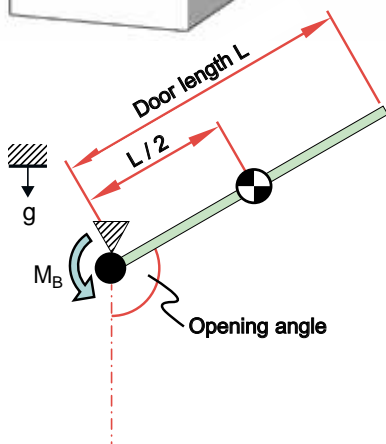
#### Dimensioning / Calculation:

The number of hinges for covers depends of the size and weight of the cover. We are pleased to help you with the dimensioning of the hinges on request.



#### Example:

- Opening angle: .....  $\alpha$  = 120  
 Door length: ..... L = 0.4 m  
 Door mass: ..... m = 2 kg  
 Gravitational pull: ..... g = 9.81 m/s<sup>2</sup>  
 Torque hinge: ..... M = 2 Nm  
 Number of hinges: ..... n = ?



#### Formula:

$$\text{Total } M = \left( \frac{L \times m \times g \times \sin \alpha}{2} \right)$$

#### Result:

3.4 Nm = 2 hinges

#### Torque hinge

The hinge can be set continuously in any position. There it remains in the same position. The torque is the same during opening and closing.

#### Application:

This torque hinge is suitable for doors and covers.

#### Technical Data:

10,000 cycles at 180° open-close

Also available on request with 1.0 Nm

180° Screw-on torque hinge zinc die black powder-coated; two torque units m.s. nickel-plated

Nm	Tolerance ± %	
2.0	25	1056-U110

Further parts see page – 2D Nut

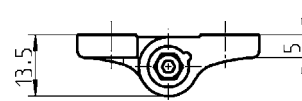
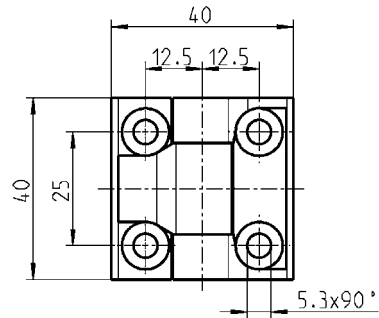
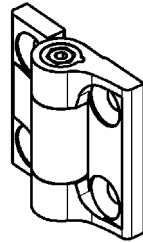
8E-120

# 180° Screw-on torque hinge with adjustment function

## PROGRAM 1056

### Product benefits

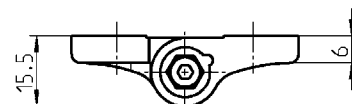
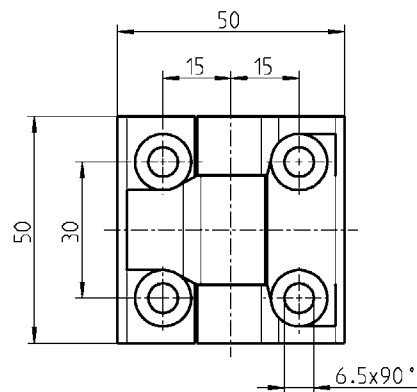
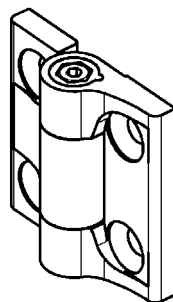
- Adjustable torque
- Constant torque across 180° adjustment range
- Same torque during opening and closing
- Adjustment of the torque may be necessary
- Compatible with all hinges of the 1056 program with identical cut out
- Can replace door stops, cover stays or gas springs depending on installation location



180° Screw-on torque hinge zinc die black powder-coated for countersunk screw M5; friction cone polyacetal POM; screw and nut m.s. zinc-plated

Nm	max. tightening torque of screw in Nm
to ~ 2	0.5

1056-U6-01

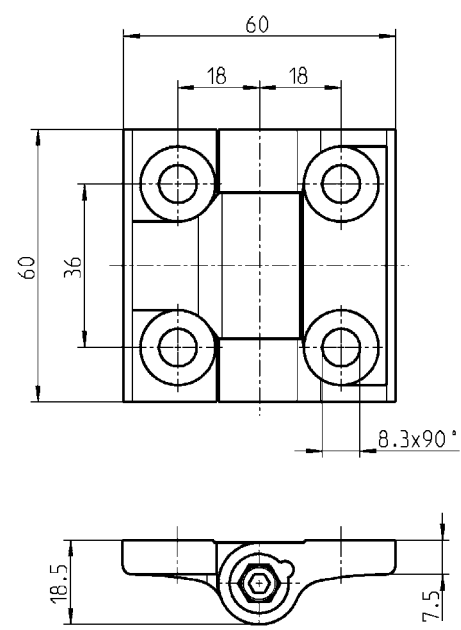
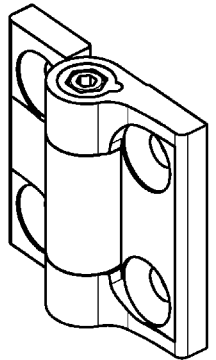


180° Screw-on torque hinge zinc die black powder-coated for countersunk screw M6 (2D nut can be used); friction cone polyacetal POM; screw and nut m.s. zinc-plated

Nm	max. tightening torque of screw in Nm
to ~ 4	0.75

1056-U10-01





180° Screw-on torque hinge zinc die black powder-coated for countersunk screw M8; friction cone polyacetal POM; screw and nut m.s. zinc-plated

Nm	max. tightening torque of screw in Nm	
to ~ 6.5	1.5	1056-U14-01

### Dimensioning / Calculation:

The number of hinges for covers depends on the size and weight of the cover. We are pleased to help you with the dimensioning of the hinges on request.

### Example:

- Door length: ..... L = 0.7 m
- Door mass: ..... m = 3.5 kg
- Gravitational pull: ..... g = 9.81 m/s<sup>2</sup>
- Torque hinge: ..... M = 6.5 Nm
- Total torque ..... M total = ?
- Number of hinges: ..... n = ?

### Formula: Total torque

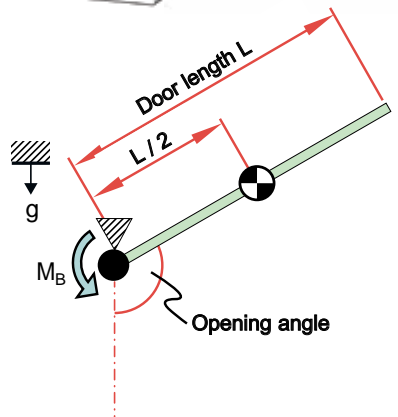
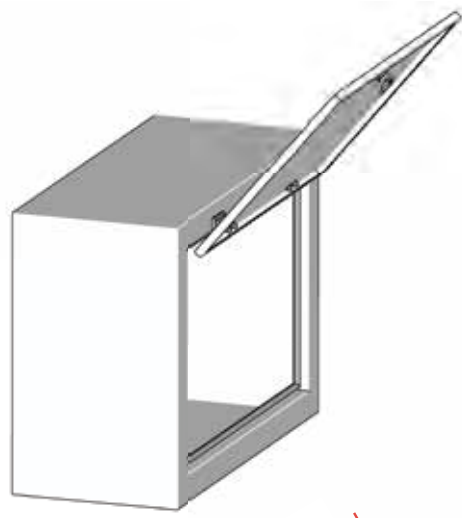
$$M_{total} = L / 2 \times m \times g$$

### Formula: Number of required hinges

$$n = \left( \frac{M_{total}}{M} \right)$$

### Result:

1.85 = 2 hinges 1056-U14-01



### Torque hinge

The hinge can be set continuously in any position. There it remains in the same position. The torque is the same during opening and closing.

### Application:

This torque hinge is suitable for doors and covers.

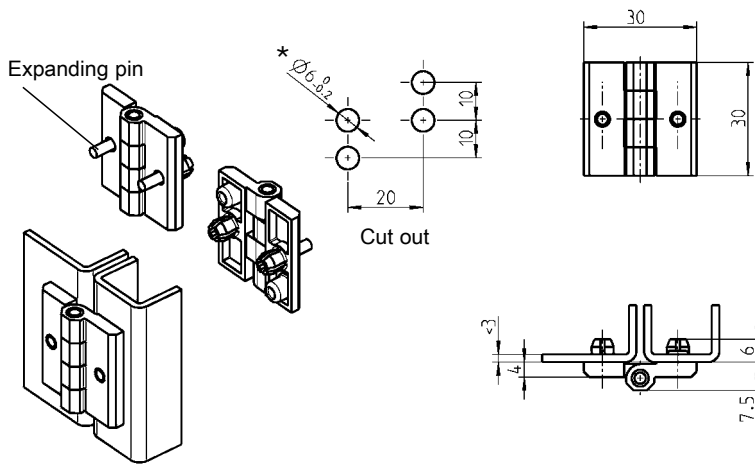
### Further parts see page

- 2D Nut 8E-120  
(only for 1056-U10-01)



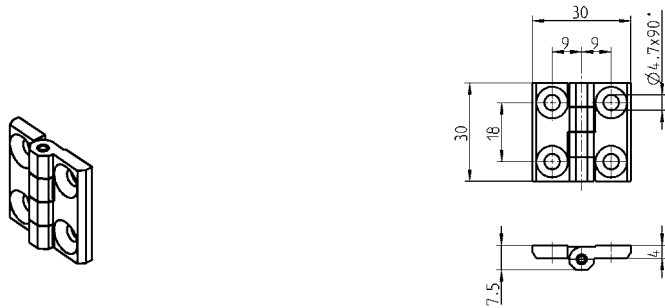
# 180° Screw-on hinge

## PROGRAM 1056



Hinge, hinge pin and expanding pins polyamide black

1056-U32



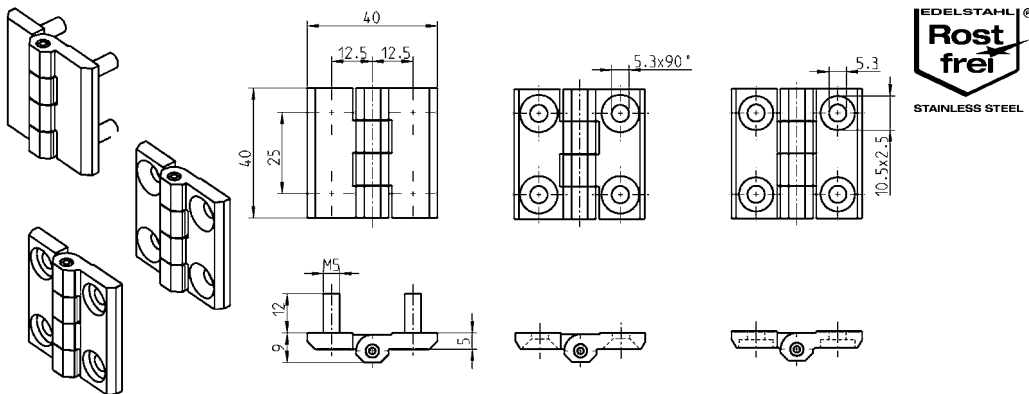
Screw-on hinge for countersunk screw M4; zinc die surface of choice; hinge pin stainless steel

black powder-coated

1056-U60

chrome-plated

1056-U61



Screw-on hinge zinc die, polyamide black or stainless steel; threaded stud M5 stainless steel

	Pin	Threaded stud M5	for countersunk screw M5	for cylinder screw M5
Zinc die chrome-pl.	St. steel	1056-U3	1056-U5	-
Zinc die black p.c.	St. steel	1056-U4	1056-U6	-
Polyamide GF black	St. steel	-	1056-U30	1056-U30-01
Polyamide GF black	Polyamide	-	1056-U41	-
AISI 316 bright polished	St. steel	-	1056-U5-PPPH	-
AISI 316 polished	St. steel	-	1056-U5-PH	-
AISI 316 pickled / passivated	St. steel	-	1056-U5-PVPH	-



AISI INOX



\*Attention:  
The specified dimension is a final dimension, please note for surface coatings.



Info

1 Quarter turns

2 Rod controls

3 Locking systems

4 Hinges

5 Seals

6 Handles

7 Aluminium windows

8 Miscellaneous

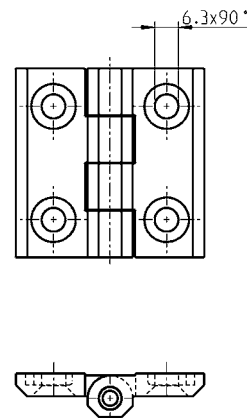
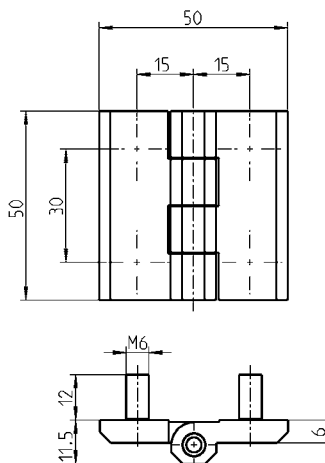
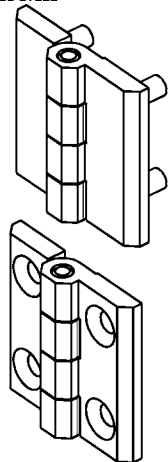
9 Special catalogues

Index



#### 180° Screw-on hinge

STAINLESS STEEL



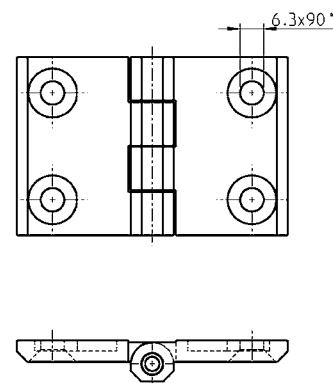
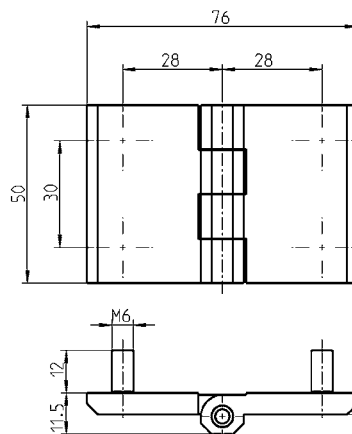
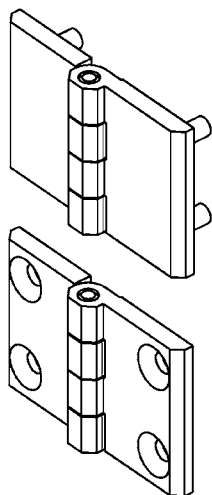
#### Screw-on hinge zinc die, polyamide black or stainless steel; threaded stud M6 stainless steel

① = (2D nut possible)	Pin	Threaded stud M6	① for countersunk screw M6
Zinc die chrome-plated	Stainless steel	1056-U7	1056-U9
Zinc die black powder-coated	Stainless steel	1056-U8	1056-U10
Polyamide GF black	Stainless steel	-	1056-U31
Polyamide GF black	Polyamide	-	1056-U42
AISI 316 bright polished	Stainless steel	-	1056-U9-PPPH
AISI 316 polished	Stainless steel	-	1056-U9-PH
AISI 316 pickled / passivated	Stainless steel	-	1056-U9-PVPH



#### 270° Screw-on hinge

STAINLESS STEEL



#### Screw-on hinge zinc die or stainless steel; threaded stud M6 stainless steel

① = (2D nut possible)	Pin	Threaded stud M6	① for countersunk screw M6
Zinc die chrome-plated	Stainless steel	1056-U15	1056-U17
Zinc die black powder-coated	Stainless steel	1056-U16	1056-U18
AISI 316 bright polished	Stainless steel	-	1056-U17-PPPH
AISI 316 polished	Stainless steel	-	1056-U17-PH
AISI 316 pickled / passivated	Stainless steel	-	1056-U17-PVPH

Further parts see page  
- 2D Nut

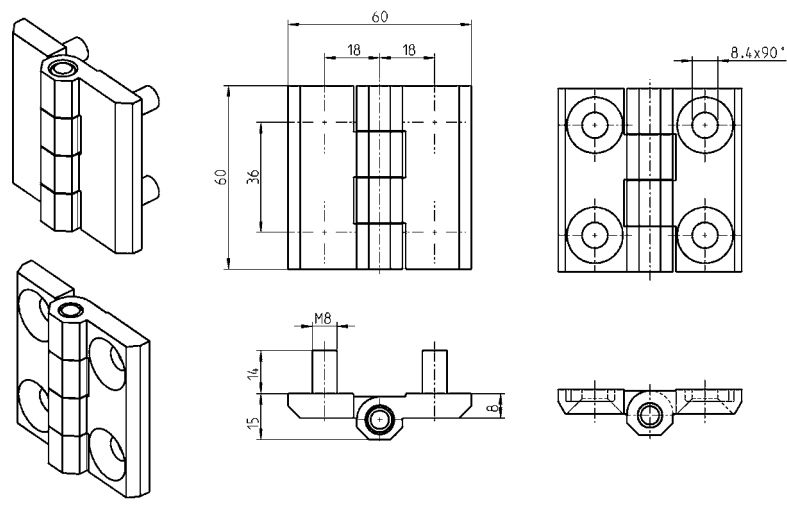
8E-120

# 180° Screw-on hinge

## PROGRAM 1056



**AISI INOX**



Screw-on hinge zinc die or stainless steel; threaded stud M8 stainless steel

	Pin	Threaded stud M8	for countersunk screw M8
Zinc die chrome-plated	Stainless steel	1056-U11	1056-U13
Zinc die black powder-coated	Stainless steel	1056-U12	1056-U14
Aluminium	Stainless steel	-	1056-U69
AISI 316 bright polished	Stainless steel	-	1056-U13-PPPH
AISI 316 polished	Stainless steel	-	1056-U13-PH
AISI 316 pickled / passivated	Stainless steel	-	1056-U13-PVPH

1 Quarter turns

2 Rod controls

3 Locking systems

4 Hinges

5 Seals

6 Handles

7 Aluminium windows

8 Miscellaneous

9 Special catalogues

Info

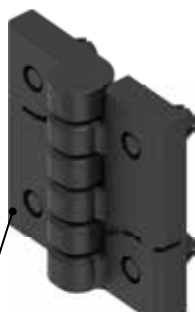
1 Quarter turns



2 Rod controls



3 Locking systems



4 Hinges

Expanding pin

5 Seals

6 Handles

\*Attention:  
The specified dimension is a final dimension, please note for surface coatings.

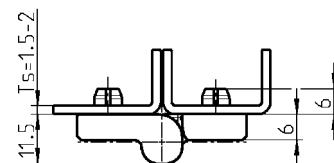
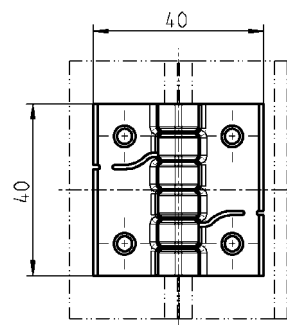
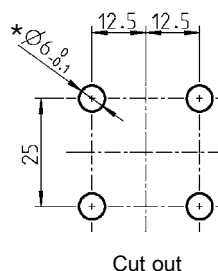
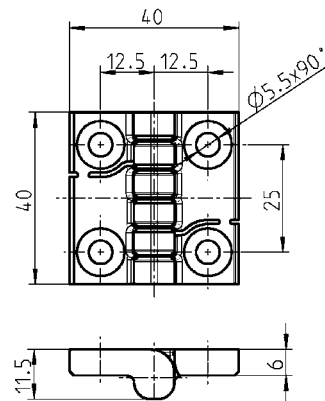
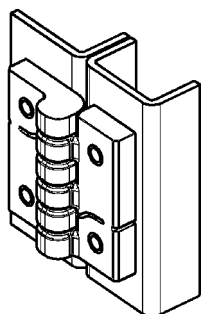
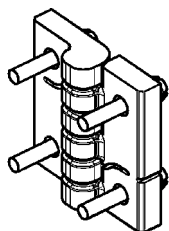
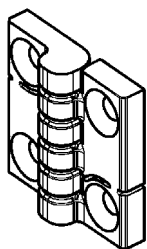
7 Aluminium windows



8 Miscellaneous

9 Special catalogues

Index



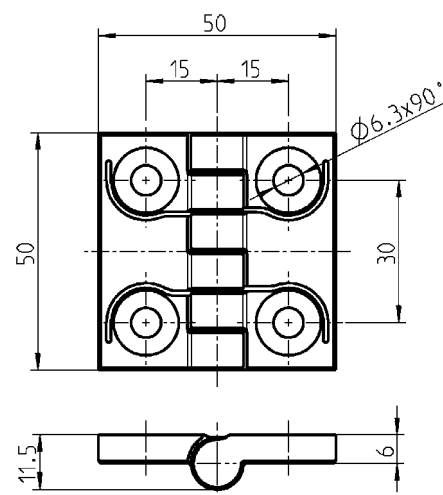
#### Clip-in hinge for countersunk screw M5 polyamide GF colour of choice, unassembled

black	1056-U66
silver	1056-U66-HW

#### Clip-in hinge with expansion pins polyamide GF black, unassembled

on request

#### Mounting within seconds



#### Clip-in hinge for countersunk screw M6 polyamide GF colour of choice, unassembled

black	1056-U68
silver	on request

# 180° Screw-on hinge

## PROGRAM 1056



1 Quarter turns

2 Rod controls

3 Locking systems

4 Hinges

5 Seals

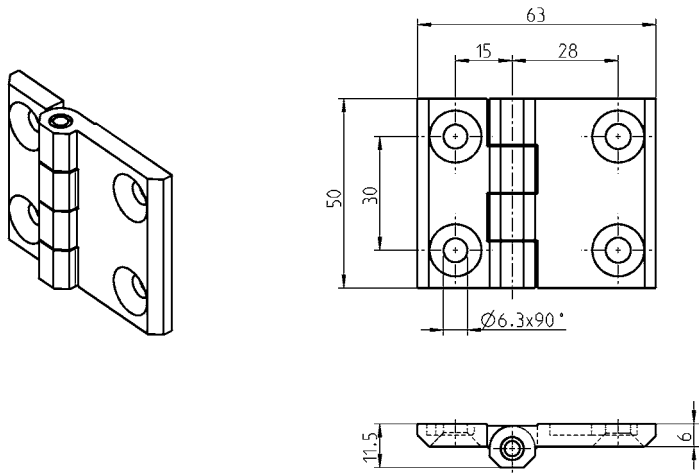
6 Handles

7 Aluminium windows

8 Miscellaneous

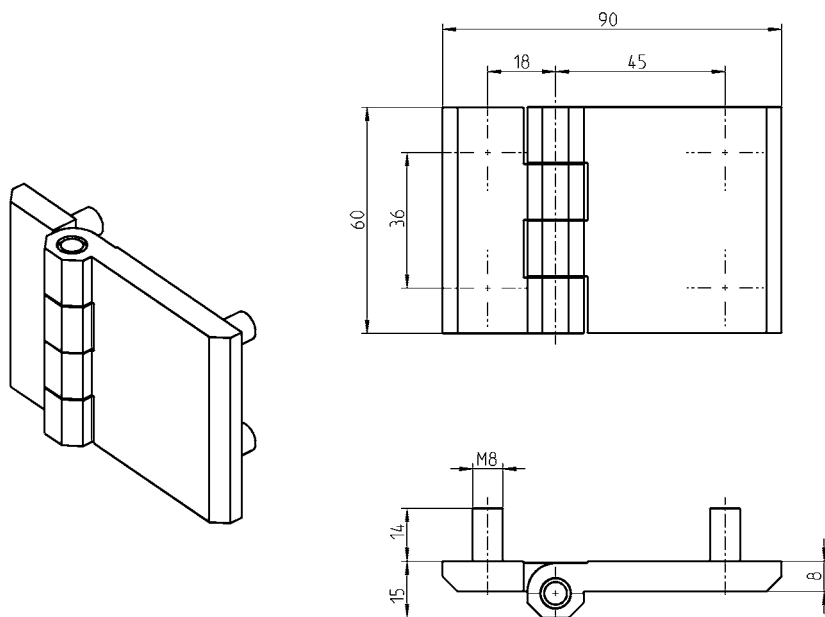
9 Special catalogues

Index



Screw-on hinge zinc die or stainless steel, pin stainless steel, for countersunk screw M6 (2D nut possible)

Zinc die black powder-coated	1056-U59
AISI 316	1056-U59-PH



Screw-on hinge zinc die, pin and threaded studs M8 stainless steel

chrome-plated	1056-U19
black powder-coated	1056-U20

Further parts see page  
- 2D Nut 8E-120

Info

1 Quarter turns



2 Rod controls



3 Locking systems



4 Hinges

5 Seals

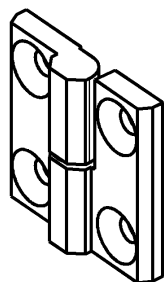
6 Handles

7 Aluminium windows

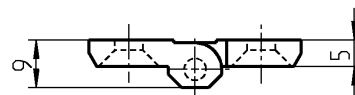
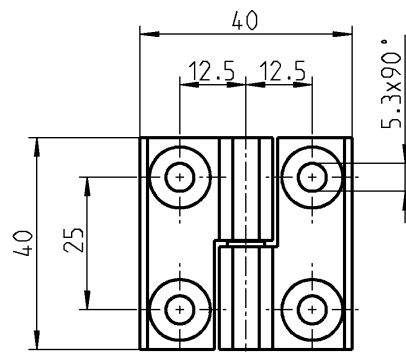
8 Miscellaneous

9 Special catalogues

Index



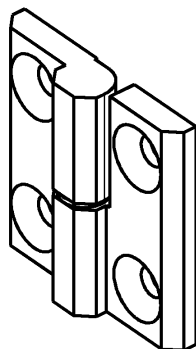
RH-version shown  
LH-version is a mirror-image



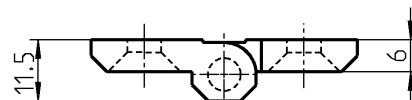
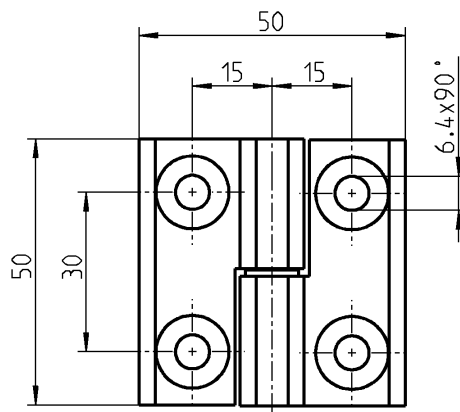
Screw-on hinge zinc die black powder-coated or AISI 316,  
washer polyamide black or teflon, pin stainless steel

for countersunk screw M5

	Zinc die	AISI 316
Left-hand version	1056-U54	1056-U54-PH
Right-hand version	1056-U53	1056-U53-PH



RH-version shown  
LH-version is a mirror-image



Screw-on hinge zinc die black powder-coated or AISI 316,  
washer polyamide black or teflon, pin stainless steel

for countersunk screw M6  
(2D nut possible)

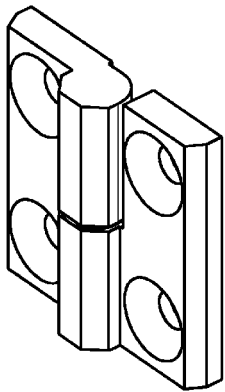
	Zinc die	AISI 316
Left-hand version	1056-U56	1056-U56-PH
Right-hand version	1056-U55	1056-U55-PH

Further parts see page  
– 2D Nut

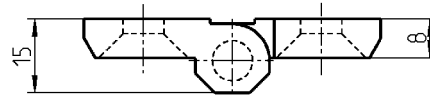
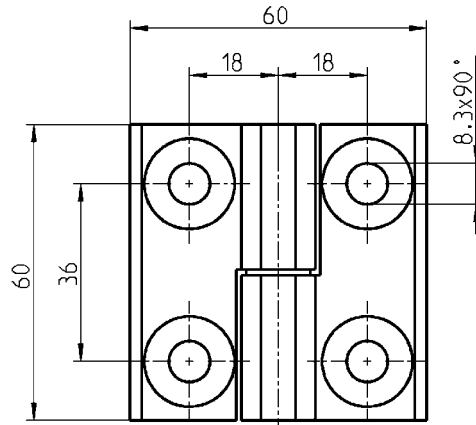
8E-120



# 180° Screw-on hinge PROGRAM 1056



RH-version shown  
LH-version is a mirror-image



Screw-on hinge zinc die black powder-coated or AISI 316,  
washer polyamide black or teflon, pin stainless steel

for countersunk screw M8

Zinc die

AISI 316

Left-hand version

1056-U58

1056-U58-PH

Right-hand version

1056-U57

1056-U57-PH

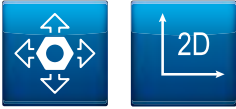
### 180° Screw-on hinge PROGRAM 1056

Info

1 Quarter turns



2 Rod controls



3 Locking systems



4 Hinges



5 Seals

Adjustable  $\pm 2$  mm  
in horizontal and  
vertical direction.

6 Handles



7 Aluminium windows



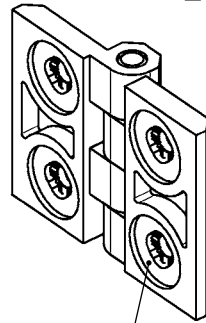
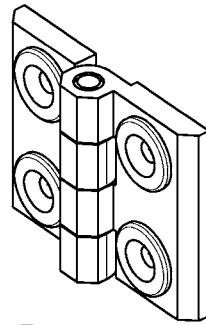
8 Miscellaneous

9 Special catalogues

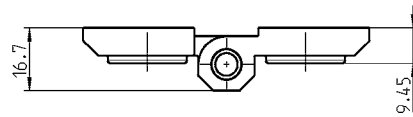
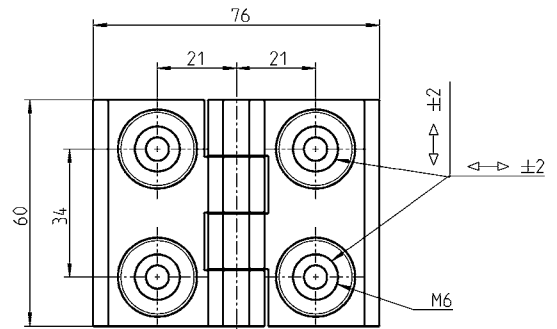
Further parts see page  
– 2D Nut

8E-120

#### 180° 2D Screw-on hinge



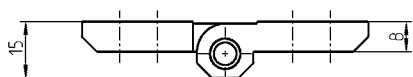
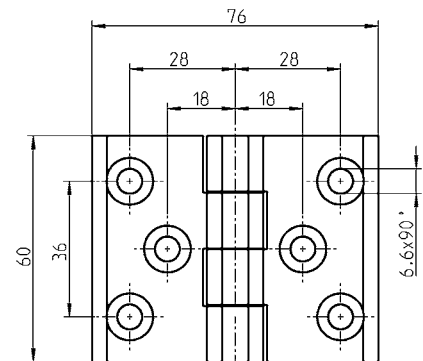
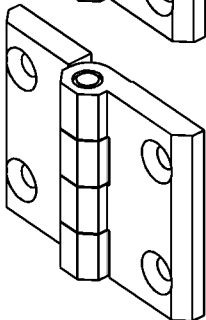
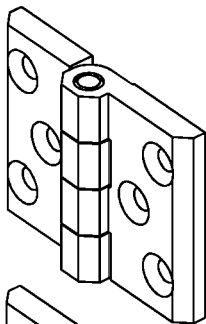
Recess for commercially available rivet nut M6



#### 2D Screw-on hinge zinc die black powder-coated; pin stainless steel

1056-U27

#### 180° Screw-on hinge



#### Screw-on hinge zinc die black powder-coated; pin stainless steel

with 4 countersunk holes (2D nut possible)

1056-U29

with 6 countersunk holes (2D nut possible)

1056-U28

Index

# 180° Screw-on hinge

## PROGRAM 6020



1 Quarter turns

2 Rod controls

3 Locking systems

4 Hinges

5 Seals

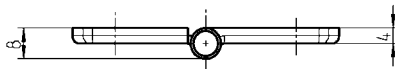
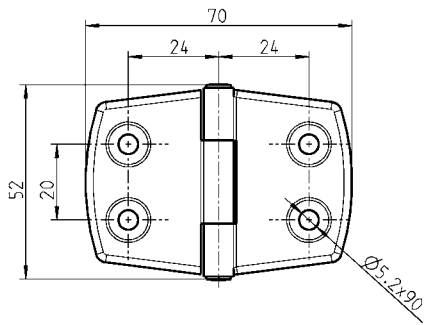
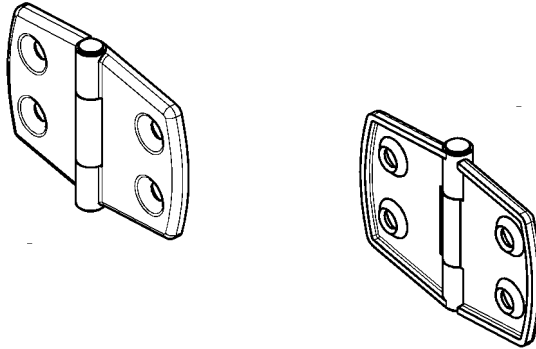
6 Handles

7 Aluminium windows

8 Miscellaneous

9 Special catalogues

Index



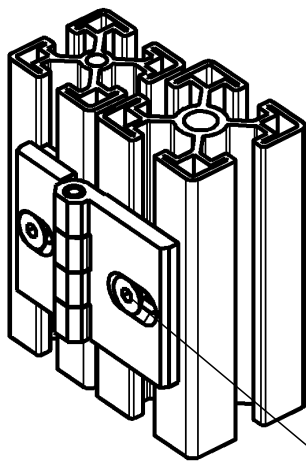
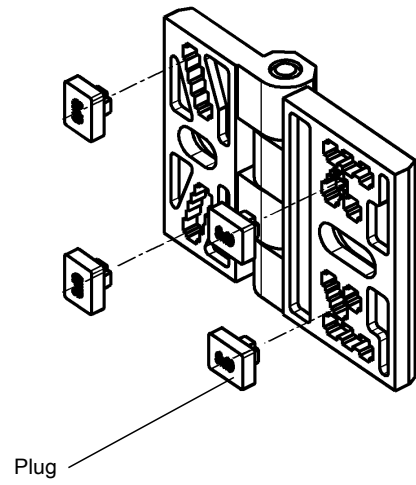
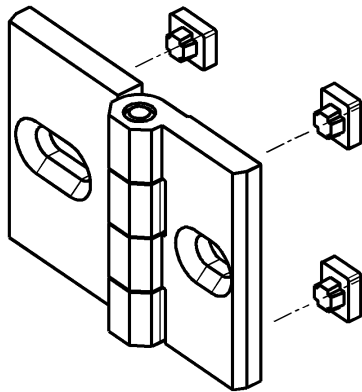
Screw-on hinge for countersunk screw small head M5, AISI 316 polished

6020-U1098-PP

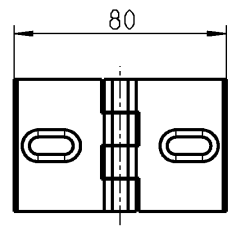
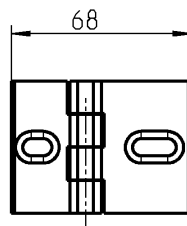
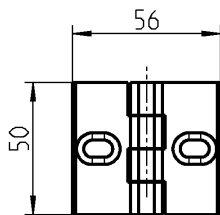
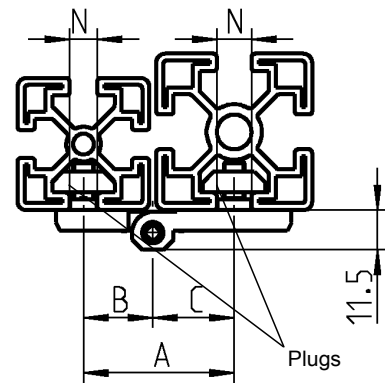
Small head = DIN ISO 2009, 2010, 7046-1, 7046-2, 7047

# Profile rail hinge

## PROGRAM 1056



\* for countersunk screw M6



**Profile rail hinge zinc die black powder-coated, pin stainless steel, plug zinc die**

Plugs	8x10	1056-U21	Plugs	8x10	1056-U22	Plugs	8x10	1056-U23
	7x10	1056-U24		7x10	1056-U25		7x10	1056-U26



- Slot see back of hinge
- Can be used for different profiles
- 70 different distances (dimension A) by repositioning the plugs
- All hinges offer anti-rotation protection through four plugs for plug widths of N = 8 and 10 mm or N = 7 and 10 mm (other N dimensions on request).



Plugs 8x10 Plugs 7x10			1056-U21 1056-U24			Plugs 8x10 Plugs 7x10			1056-U22 1056-U25			Plugs 8x10 Plugs 7x10			1056-U23 1056-U26		
Slot			Slot			Slot			Slot			Slot			Slot		
A	B	C	A	B	C	A	B	C	A	B	C	A	B	C	A	B	C
33	16.5	16.5	37.5	16.5	21	42	21	21									
34	16.5	17.5	38	16.5	21.5	42.5	21	21.5									
35	16.5	18.5	40	16.5	23.5	44.5	21	23.5									
35.5	16.5	19	42.5	16.5	26	47	21	26									
36.5	16.5	20	44	16.5	27.5	48.5	21	27.5									
35	17.5	17.5	47.5	16.5	31	52	21	31									
36	17.5	18.5	38.5	17.5	21	43	21.5	21.5									
36.5	17.5	19	39	17.5	21.5	45	21.5	23.5									
37.5	17.5	20	41	17.5	23.5	47.5	21.5	26									
37	18.5	18.5	43.5	17.5	26	49	21.5	27.5									
37.5	18.5	19	45	17.5	27.5	52.5	21.5	31									
38.5	18.5	20	48.5	17.5	31	47	23.5	23.5									
38	19	19	39.5	18.5	21	49.5	23.5	26									
39	19	20	40	18.5	21.5	51	23.5	27.5									
40	20	20	42	18.5	23.5	54.5	23.5	31									
			44.5	18.5	26	52	26	26									
			46	18.5	27.5	53.5	26	27.5									
			49.5	18.5	31	57	26	31									
			40	19	21	55	27.5	27.5									
			40.5	19	21.5	58.5	27.5	31									
			42.5	19	23.5	62	31	31									
			45	19	26												
			46.5	19	27.5												
			50	19	31												
			41	20	21												
			41.5	20	21.5												
			43.5	20	23.5												
			46	20	26												
			47.5	20	27.5												
			51	20	31												

\*not included in the scope of delivery

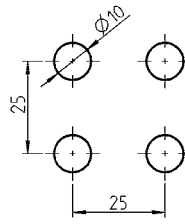
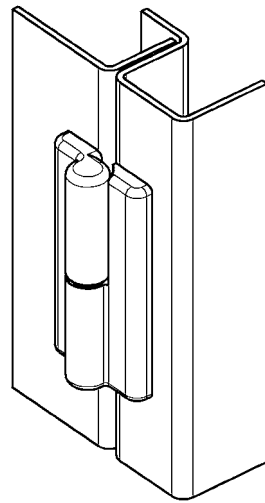


**Assembly:**  
Hinge is fixed by driving in the polyamide pins.  
The pull-out force in Z direction is 1500 N.

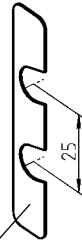
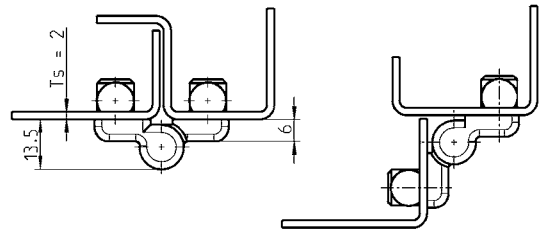
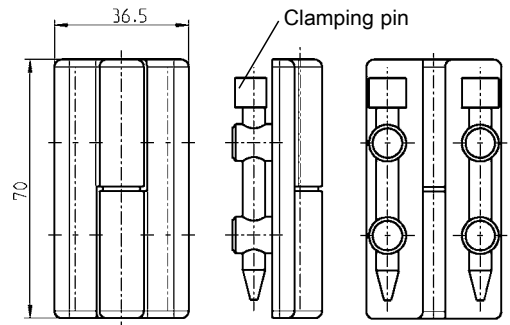


\*not included in the scope of delivery

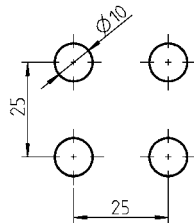
Small head = DIN ISO 2009, 2010, 7046-1, 7046-2, 7047



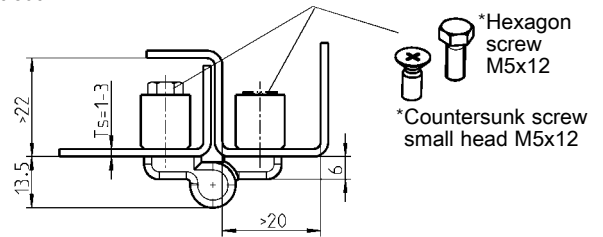
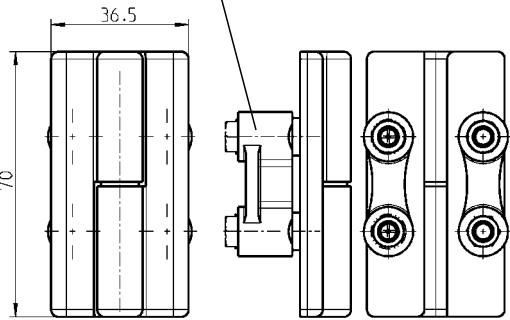
Cut out



Support plate has to be ordered sep. for different door gauges (1x per clamping pin)



Cut out



Hinge with clamping pin zinc die black powder-coated or polyamide GF black; clamping pin Polyamide GF black, pin stainless steel

		Zinc die	Polyamide
Ts = 1.5	Right	-	1056-U49
Ts = 1.5	Left	-	1056-U50
Ts = 2.0	Right	1056-U35	-
Ts = 2.0	Left	1056-U33	-

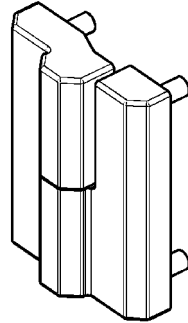
Hinge with fastening bow zinc die black powder-coated; pin stainless steel

Right	1056-U44
Left	1056-U43

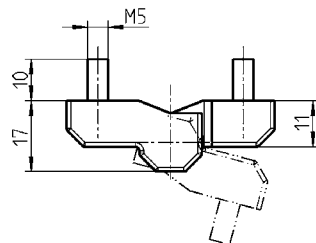
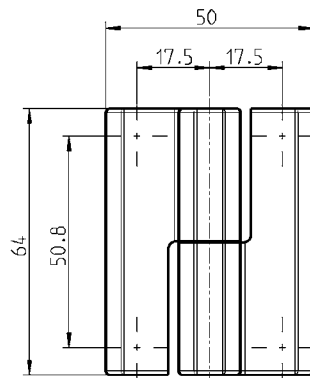
Support plate AISI 304 (1x per clamping pin)

Hinge for Ts	change to Ts	
1.5	1.0	1110-39-02
2.0	1.0	1110-39-03
2.0	1.5	1110-39-02

# 160° Screw-on hinge PROGRAM 1056



RH-version shown  
LH-version is a mirror-image



Screw-on hinge zinc die black powder-coated or chrome-plated; washer teflon white; hinge pin m.s. zinc-plated

	black powder-coated	chrome-plated
Left-hand version	1056-U62	1056-U64
Right-hand version	1056-U63	1056-U65

Info

1 Quarter turns



2 Rod controls



3 Locking systems



4 Hinges



5 Seals



6 Handles

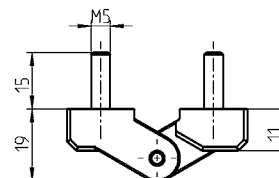
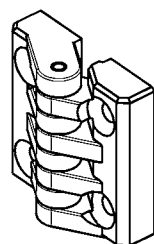
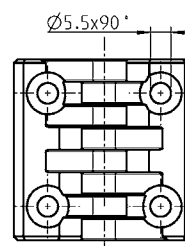
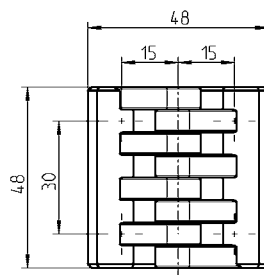
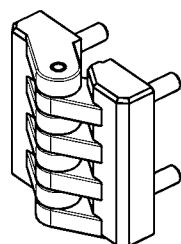


7 Aluminium windows

8 Miscellaneous

9 Special catalogues

Index



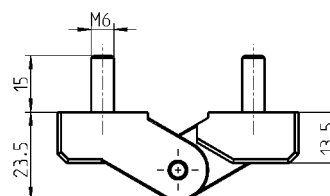
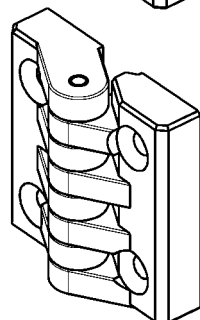
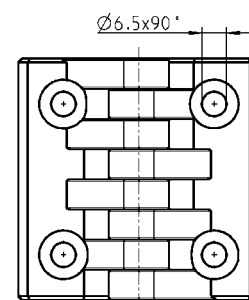
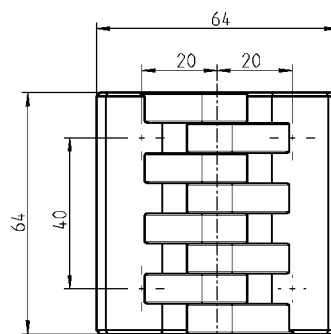
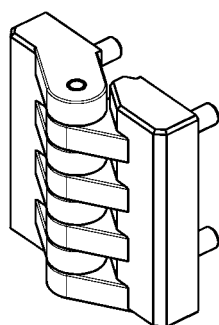
#### Screw-on hinge polyamide GF black; pin m.s. zinc-plated

for countersunk screw M5

1056-U37

with threaded stud M5

1056-U38



#### Screw-on hinge polyamide GF black; pin m.s. zinc-plated

for countersunk screw M6 (2D nut possible)

1056-U39

with threaded stud M6

1056-U40

Further parts see page  
– 2D Nut

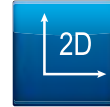
8E-120



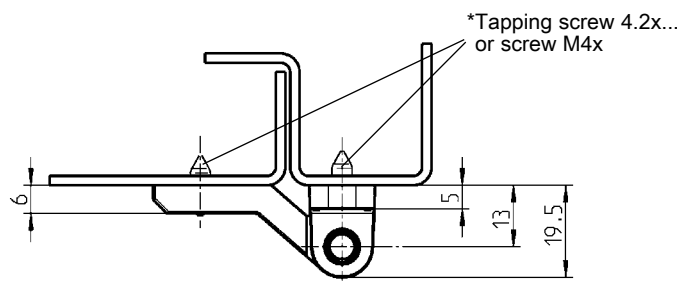
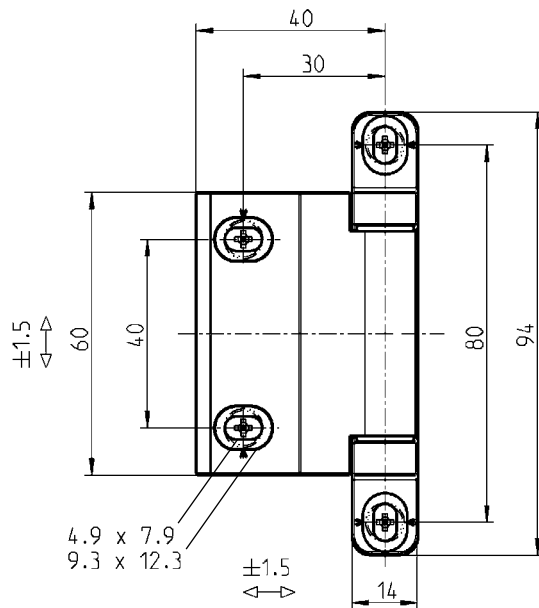
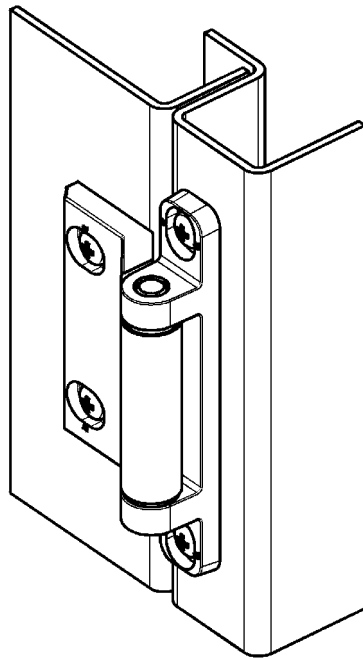
# 180° 2D Hinge PROGRAM 1054



1 Quarter turns



2 Rod controls



3 Locking systems

4 Hinges

5 Seals

6 Handles

7 Aluminium windows

8 Miscellaneous

9 Special catalogues

\*not included in the scope of delivery

180° 2D Hinge zinc die black powder-coated, pin stainless steel, bushes polyamide

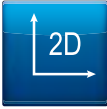
1054-U37

Info

1 Quarter turns



2 Rod controls



3 Locking systems



4 Hinges

Right-hand or left-hand version  
by turning around the hinge leaf.

Hinge pin is self-gripping

5 Seals

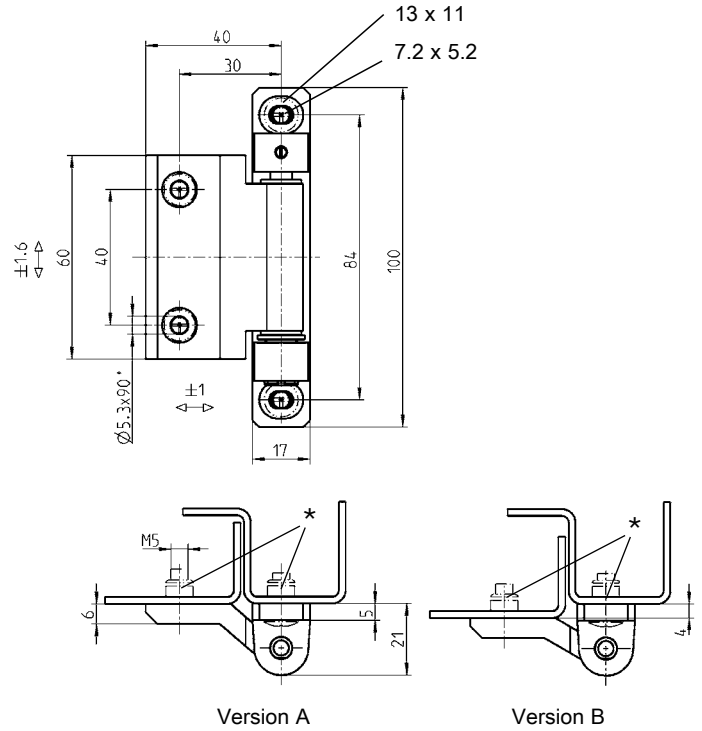
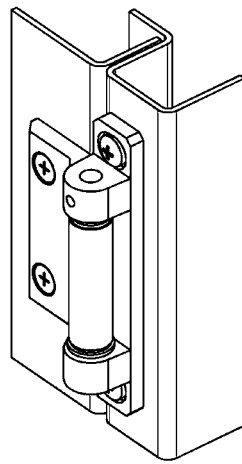
6 Handles

7 Aluminium windows

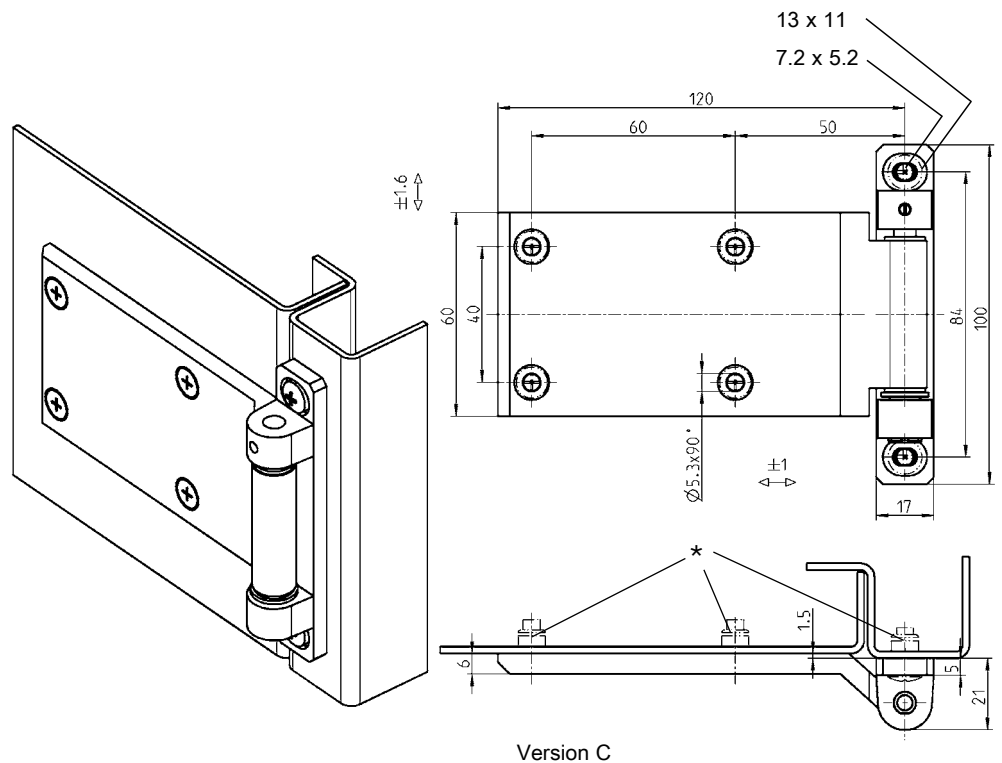
8 Miscellaneous

9 Special catalogues

Index



Countersunk for small head countersunk screws M5x



\*not included in the scope of  
delivery

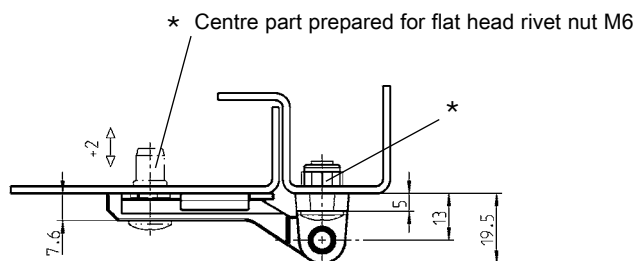
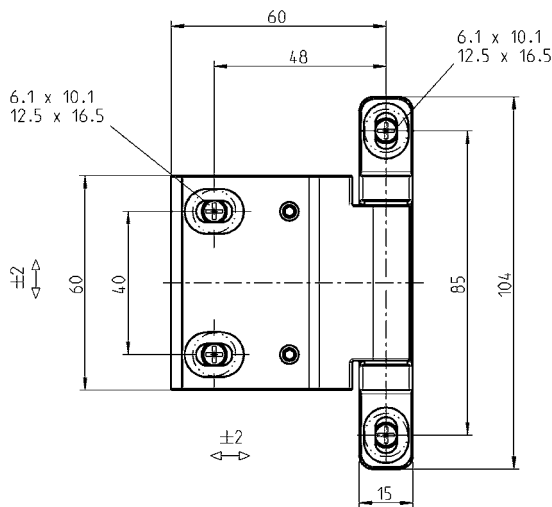
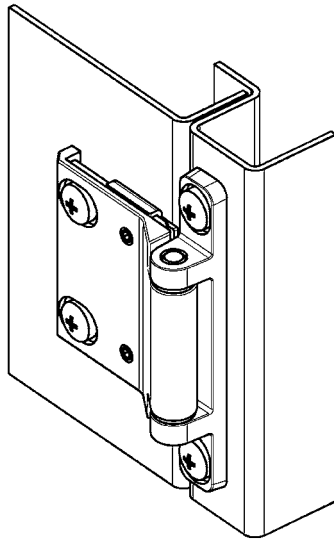
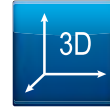
Small head = DIN ISO 2009,  
2010, 7046-1, 7046-2, 7047

2D Screw-on hinge frame part and centre part zinc die surface of choice;  
shaft brass nickel-plated; washer m.s. zinc-plated; bush polyamide

	Version A	Version B	Version C
black powder-coated	1054-U33-01	1054-U34-01	1054-U35-01
raw	1054-U33-02	1054-U34-02	1054-U35-02

# 180° 3D Screw-on hinge

## PROGRAM 1054



3D Screw-on hinge frame part and centre part zinc die black powder-coated; shaft, pin and washers stainless steel; bushes plastic

1054-U42-01

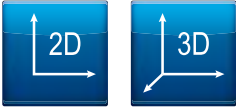
\*Oval head screw  
DIN ISO 7380 M6x...  
not included in scope of delivery

Info

1 Quarter turns



2 Rod controls



3 Locking systems

3D Screw-on hinge



4 Hinges

5 Seals

2D Screw-on hinge



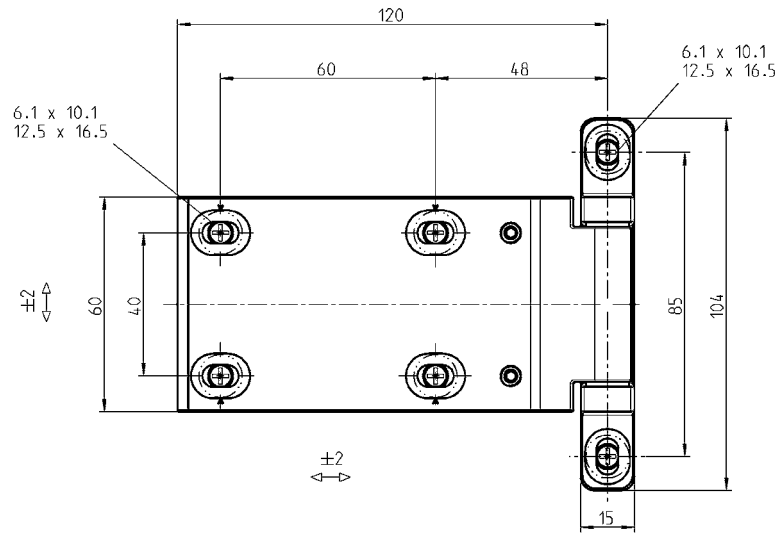
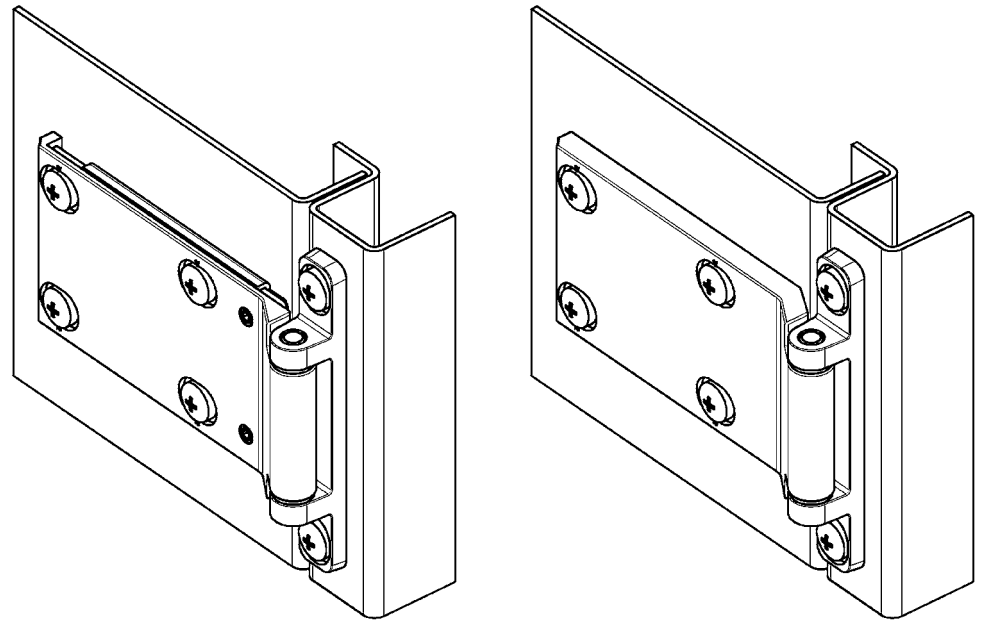
6 Handles

7 Aluminium windows

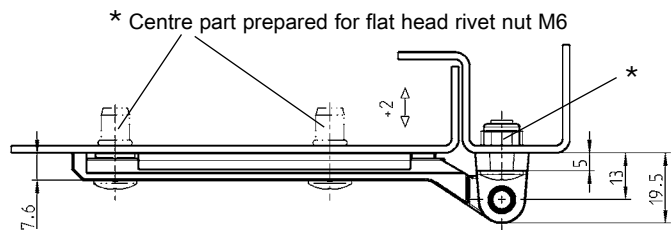
8 Miscellaneous

9 Special catalogues

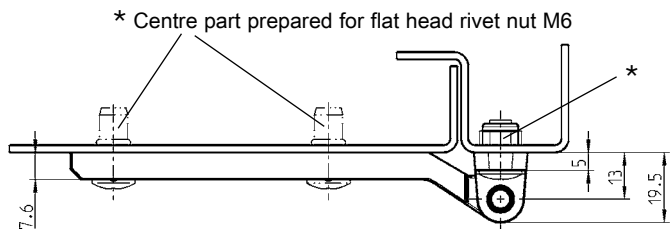
Index



3D Screw-on hinge



2D Screw-on hinge



\*Oval head screw  
DIN ISO 7380 M6x...  
not included in scope of delivery

3D Screw-on hinge frame part and centre part zinc die black powder-coated;  
shaft, pin and washers stainless steel; bushes plastic

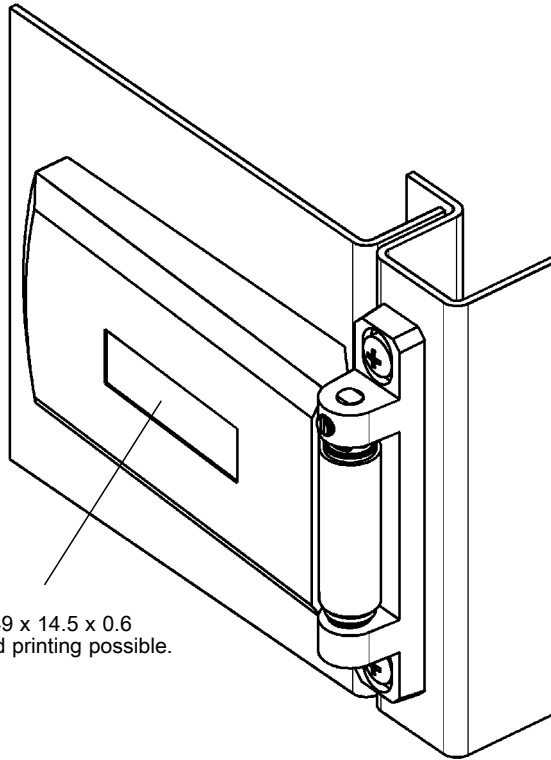
1054-U43-01

2D Screw-on hinge frame part and centre part zinc die black powder-coated;  
shaft stainless steel; bushes plastic

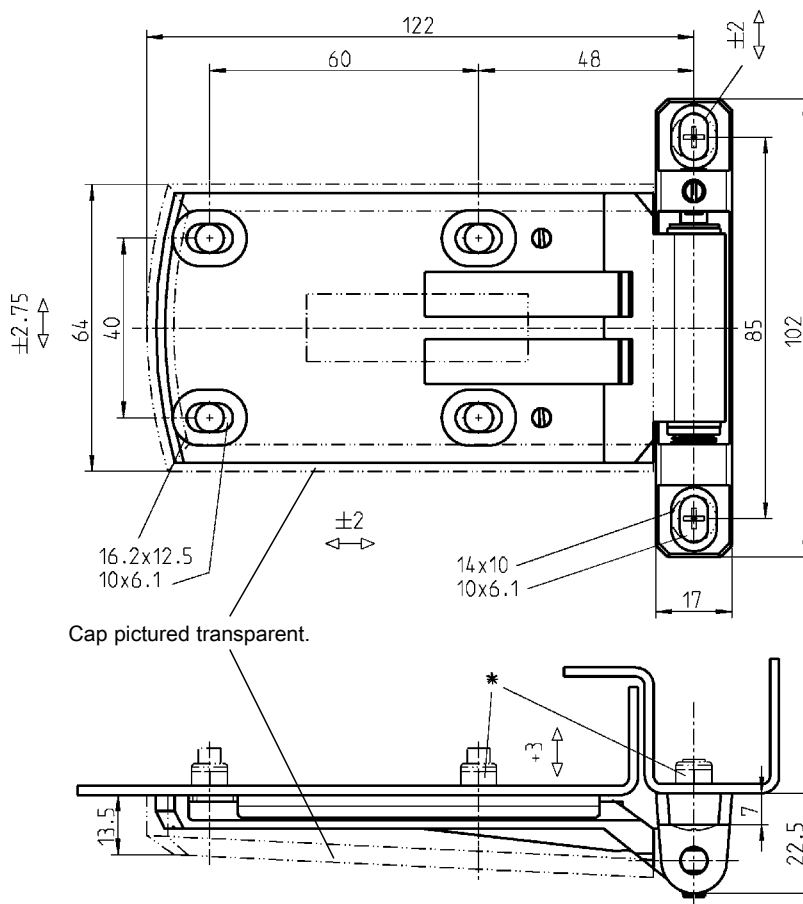
1054-U44-01

# 180° 3D Screw-on hinge

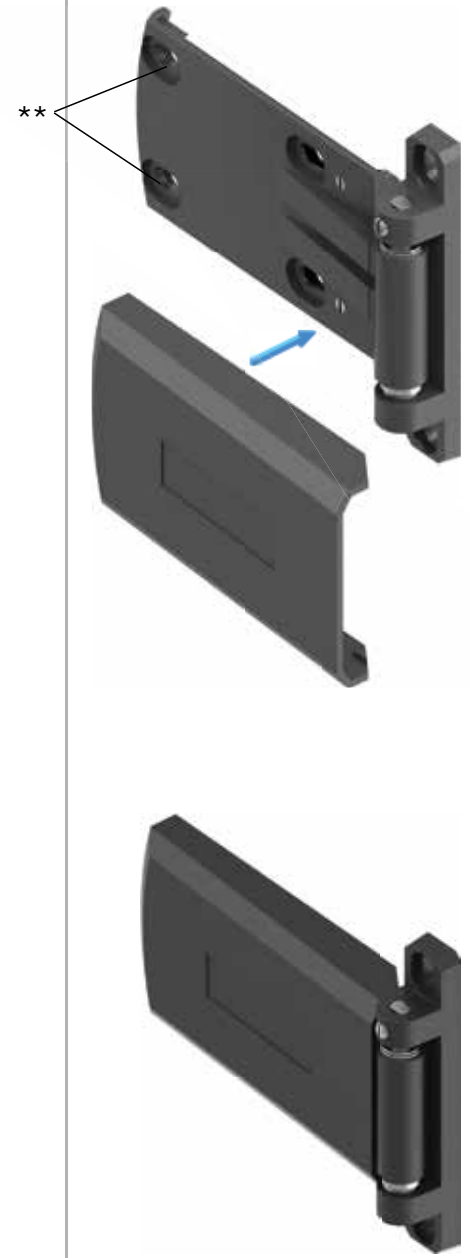
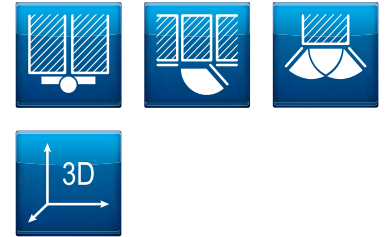
## PROGRAM 1054



Logo recess: 49 x 14.5 x 0.6  
Multicolour pad printing possible.



Cap pictured transparent.



\*not included in the scope of delivery

\*\*Only screws with flat head or with max. head height 5 mm can be used

Right-hand or left-hand version by turning around the hinge leaf.

3D Screw-on hinge frame part and centre part zinc die black powder-coated; shaft stainless steel; pin and washer steel zinc-plated; cap and bush polyamide black

Right-hand version

1054-U36-RE

Left-hand version

1054-U36-LI

Info

1 Quarter turns



2 Rod controls



3 Locking systems

4 Hinges



5 Seals

6 Handles

7 Aluminium windows

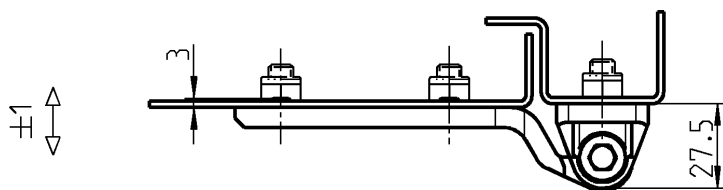
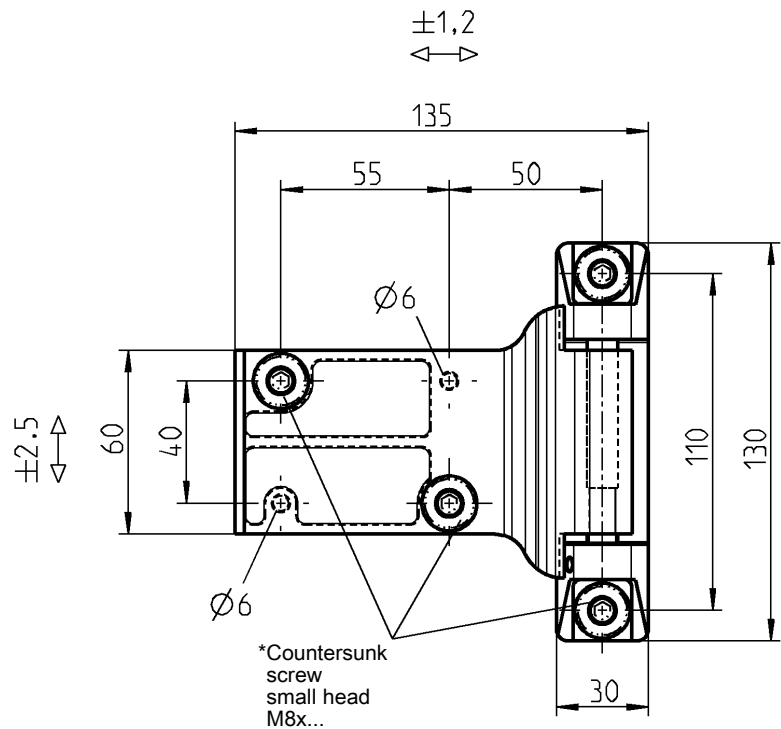
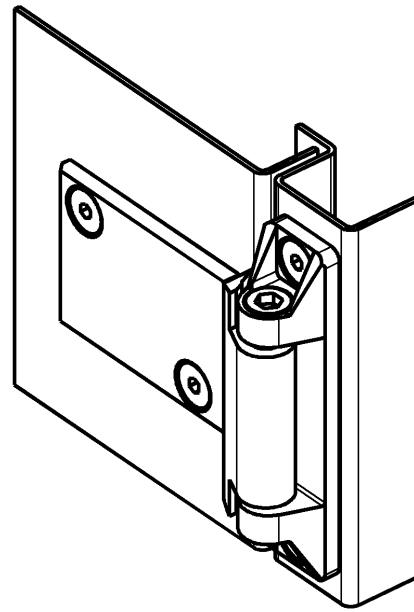
8 Miscellaneous

9 Special catalogues

Index

\*not included in the scope of delivery

Small head = DIN ISO 2009, 2010, 7046-1, 7046-2, 7047



3D Screw-on hinge zinc die, shaft and grub screw stainless steel

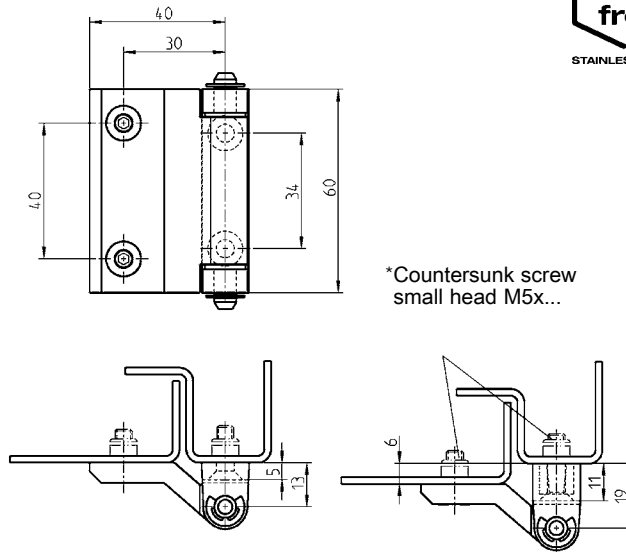
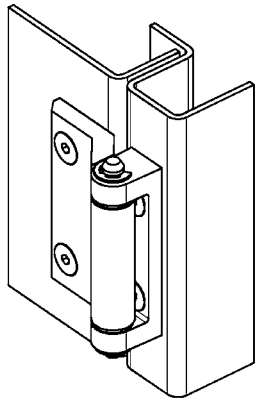
	Left-hand version	Right-hand version
black powder-coated	1054-U32	1054-U31
raw	1054-U32-01	1054-U31-01

# 180° Screw-on hinge

## PROGRAM 1054



**AISI  
INOX**



\*Countersunk screw  
small head M5x...



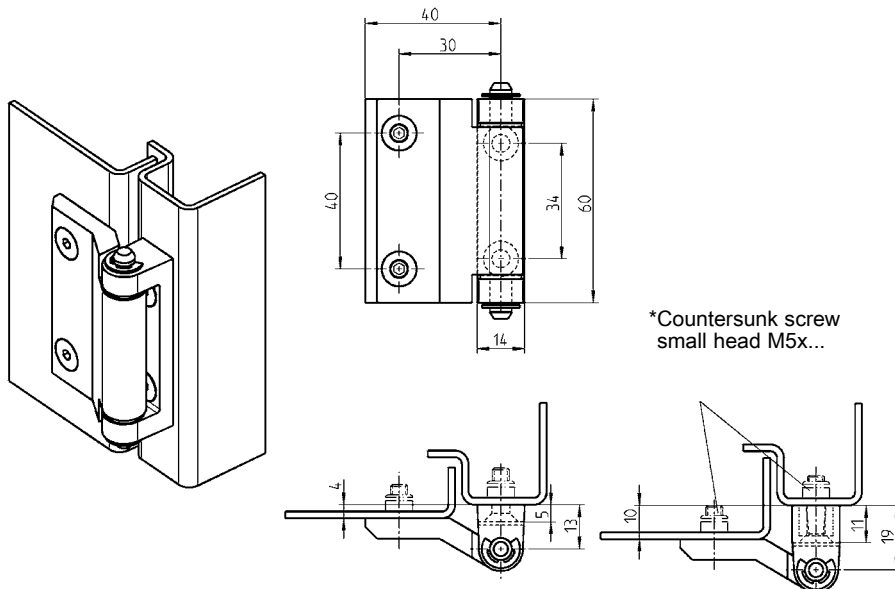
### Screw-on hinge zinc die, pin and washer m.s. zinc-plated and bushes polyamide

	normal	6 mm higher
chrome-plated	1054-U4	1054-U27
black powder-coated	1054-U5	1054-U28
raw	1054-U22**	1054-U29**

\*\* = Minimum order quantity 1000 pieces

### Screw-on hinge AISI 316 and bushes polyamide

	1054-U5-PH	-
--	------------	---



\*Countersunk screw  
small head M5x...



### Screw-on hinge zinc die, pin and washer m.s. zinc-plated and bushes polyamide

	4 mm higher	10 mm higher
chrome-plated	1054-U7	1054-U19
black powder-coated	1054-U10	1054-U20
raw	1054-U18**	1054-U21**

\*\* = Minimum order quantity 1000 pieces

\*not included in the scope of  
delivery

**Small head = DIN ISO 2009,  
2010, 7046-1, 7046-2, 7047**

Info

1 Quarter turns



2 Rod controls

3 Locking systems



4 Hinges

5 Seals

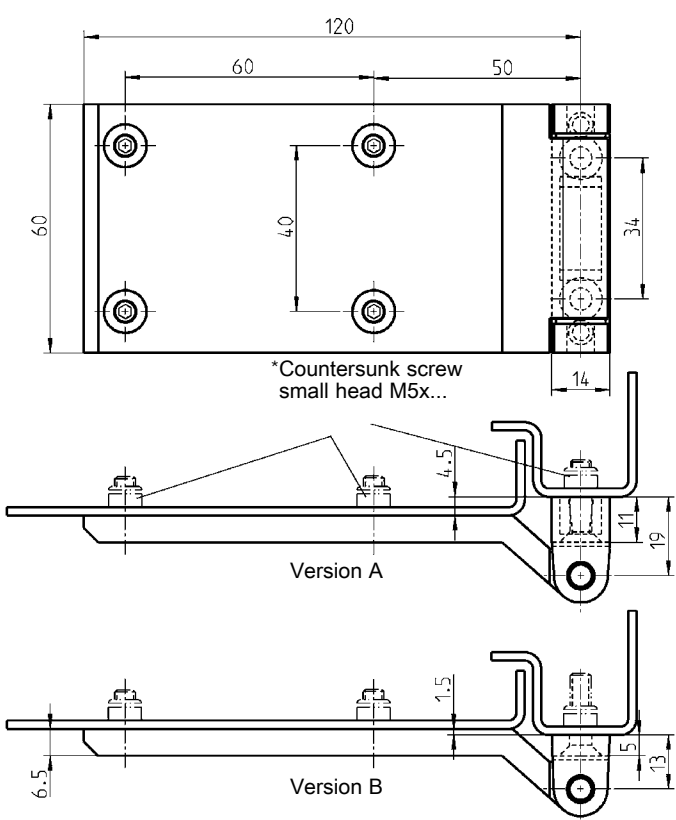
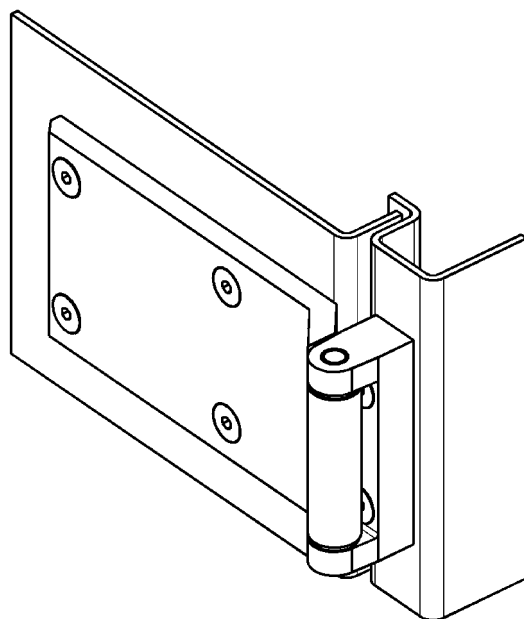
6 Handles

7 Aluminium windows

8 Miscellaneous

9 Special catalogues

Index



\*not included in the scope of delivery

Small head = DIN ISO 2009, 2010, 7046-1, 7046-2, 7047

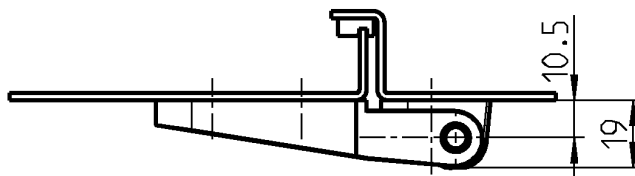
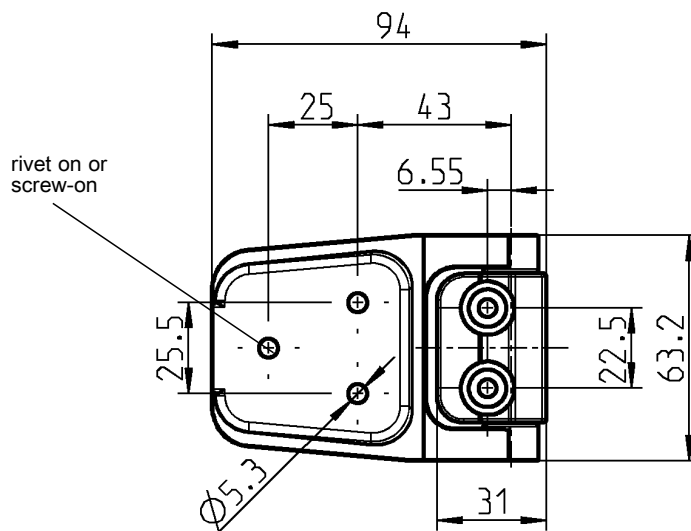
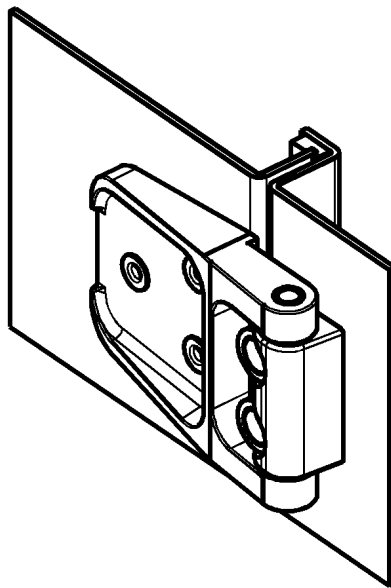
**Screw-on hinge zinc die, pin stainless steel, bushes polyamide**

	Version A	Version B
black powder-coated	1054-U11	1054-U6
raw	1054-U13**	1054-U12**

\*\* = Minimum order quantity 1000 pieces



180° Hinge  
PROGRAM 1054, 1091



**Application**  
Suitable for sandwich doors

Hinge polyamide GF black, pin m.s. zinc-plated

1091-U117

Info

1 Quarter turns



2 Rod controls



3 Locking systems



4 Hinges

5 Seals

Height adjustment  $\pm 4$  mm

6 Handles

Right-hand or left-hand version by turning around the hinge leaf.

7 Aluminium windows

8 Miscellaneous

\*not included in the scope of delivery

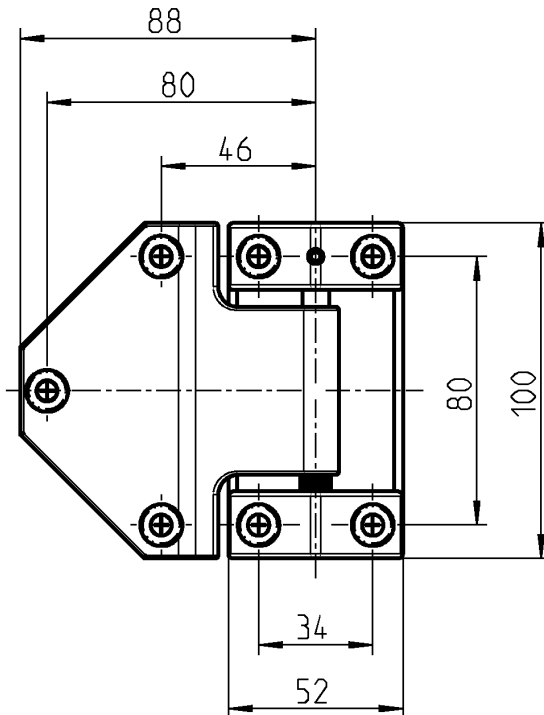
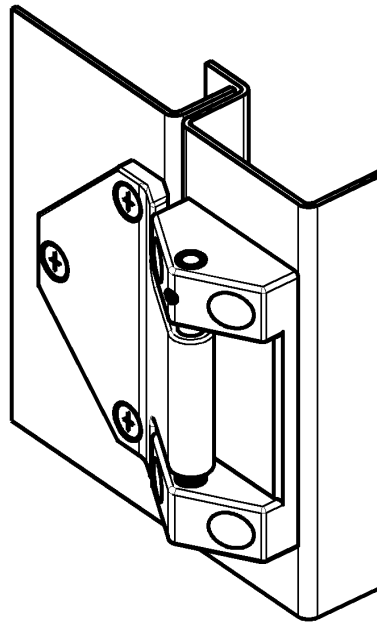
Small head = DIN ISO 2009, 2010, 7046-1, 7046-2, 7047

Further parts see page  
- 2D Nut

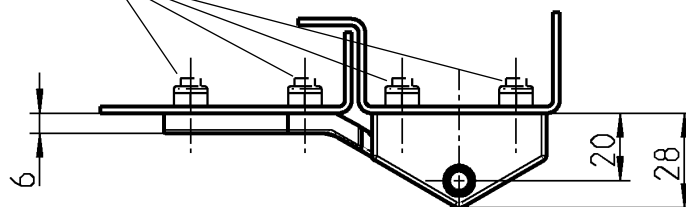
8E-120

9 Special catalogues

Index



\*Countersunk screw small head M6x...

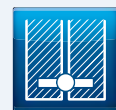


# Pin hinge Program 1117



- 1 Pin hinge, weld-on
- 2 Pin hinge, screw-on and rivet-on
- 3 Pin hinge, clip-in

4C-120  
4C-120  
4C-130



## 4C-100

Info

1 Quarter turns

2 Rod controls

3 Locking systems

4 Hinges

5 Seals

6 Handles

7 Aluminium windows

8 Miscellaneous

9 Special catalogues

Index

## Pin hinge PROGRAM 1117

Info

1 Quarter turns



2 Rod controls



AISI INOX

3 Locking systems



4 Hinges

5 Seals



6 Handles

7 Aluminium windows

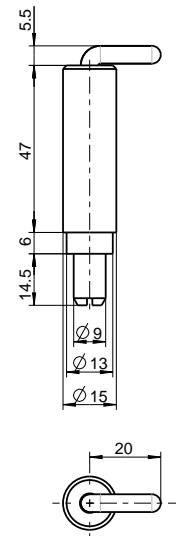
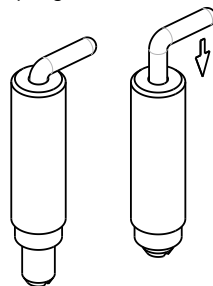
8 Miscellaneous

9 Special catalogues

Index



spring-loaded

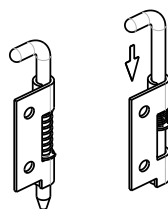


Pin hinge m.s. zinc-plated, spring material spring steel zinc-plated, guide sleeve m.s. raw or AISI 304, pin AISI 303, spring stainless steel

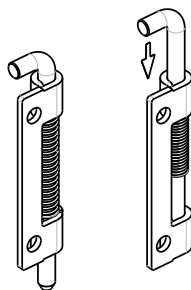
m.s.	1117-U1
AISI	1117-U1-PF



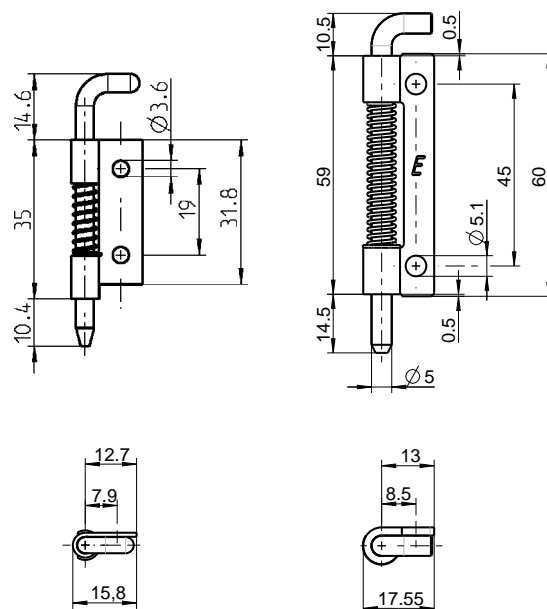
spring-loaded



Version A



Version B



Pin hinge m.s. zinc-plated, spring material spring steel zinc-plated

Version A, right	1117-U2	Version A, left	1117-U3
Version B, right	1117-U4	Version B, left	1117-U5

Pin hinge AISI 304, pin AISI 303, spring stainless steel

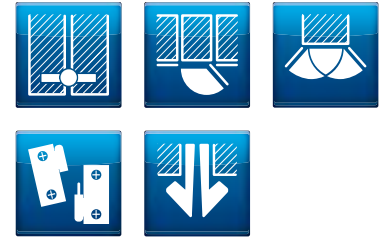
Version B, right	1117-U4-PC	Version B, left	1117-U5-PC
------------------	------------	-----------------	------------

**Attention:**  
Version B not suitable for screwing on

# Pin hinge PROGRAM 1117



Door pictured transparent  
in hinge area



1 Quarter turns

2 Rod controls

3 Locking systems

4 Hinges

5 Seals

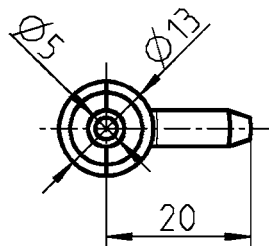
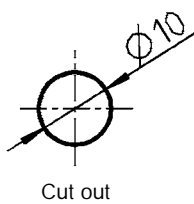
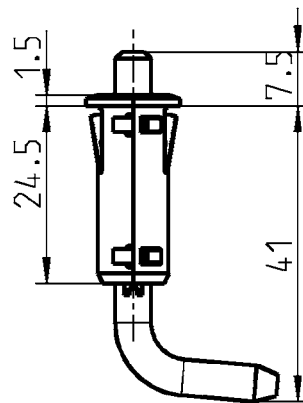
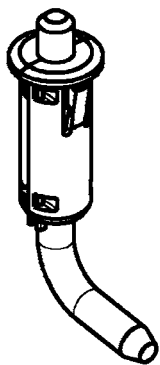
6 Handles

7 Aluminium windows

8 Miscellaneous

9 Special catalogues

Index



Pin hinge, housing polyamide black, pin zinc die, spring material spring steel zinc-plated

Ts = 1.0	1117-U6
Ts = 1.5	1117-U6-01
Ts = 2.0	1117-U6-02

**Attention:**  
For use with small doors only.

Examples:  
Electric meter boxes  
and tool boxes



# 80° Counterbalancing spring-loaded hinge PROGRAM 1715

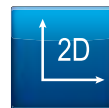


Covering caps depicted transparent



Depicted without covering caps

By means of the adjusting nut the torque can be set.



1 Quarter turns

2 Rod controls

3 Locking systems



4 Hinges

5 Seals

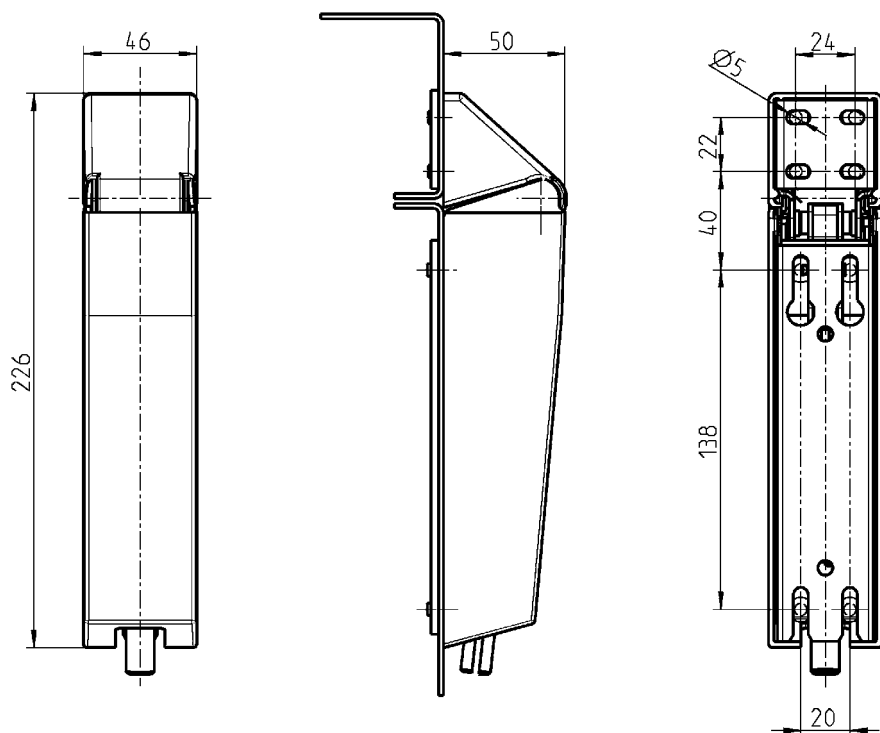
**Application:**  
The spring-loaded hinge can be used e.g. for freezers.

The covering caps can be put on after assembly of the hinge.

6 Handles

\*Lid weight with homogeneous distribution of weight

7 Aluminium windows



8 Miscellaneous

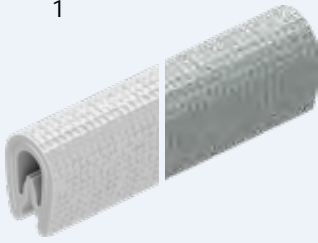
9 Special catalogues

Spring-loaded hinge m.s. zinc-plated, joint polyamide, covering caps polystyrene white, with one or two springs

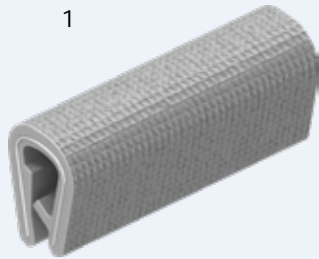
for a *lid weight in the range of 6 kg with 2 hinges	1715-U331
for a *lid weight in the range of 17 kg with 2 hinges	1715-U332
for a *lid weight in the range of 23 kg with 2 hinges	1715-U333

# Seals, Edge protection and Cell sponge rubber

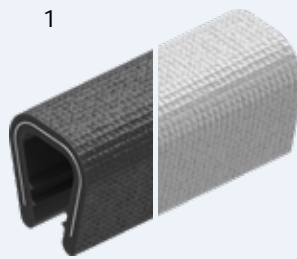
1



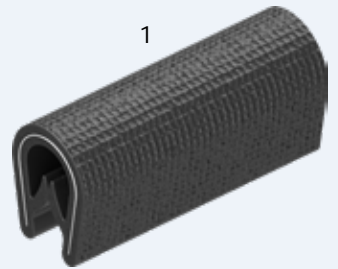
1



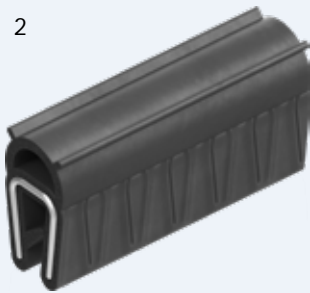
1



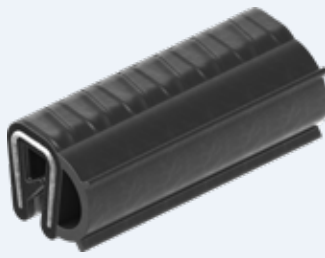
1



2



2



2



2



3



3



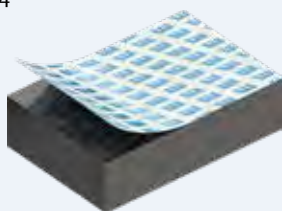
3



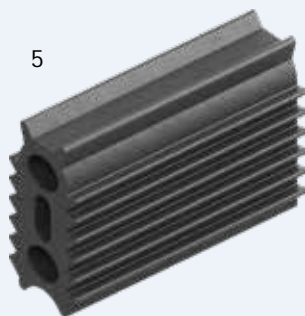
3



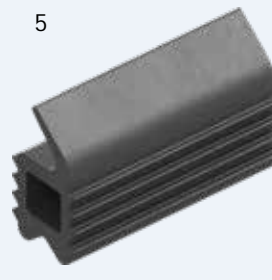
4



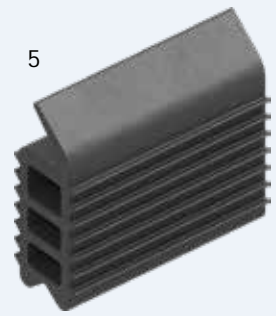
5



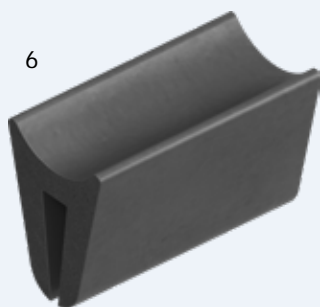
5



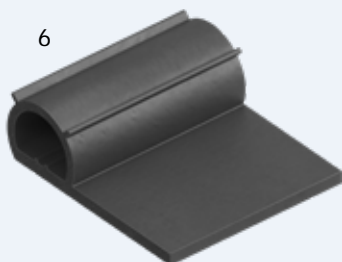
5







6



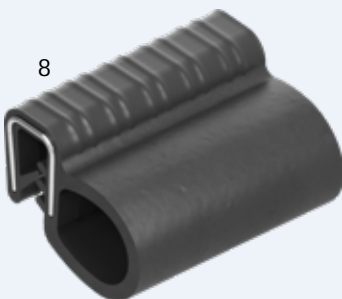
6



6



7



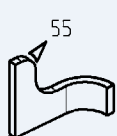
8



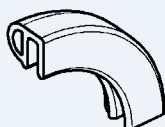
9



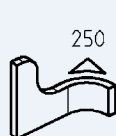
According to VDI 6022



55



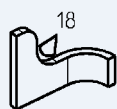
Smallest bending radius



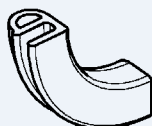
250



Smallest bending radius



18



Smallest bending radius

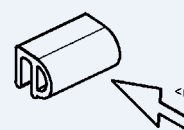


150



Smallest bending radius

- |   |   |                  |
|---|---|------------------|
| 1 | Edge protection                                     | 5A-110 to 5A-120 |
| 2 | Seals, self-clamping                                | 5A-130 to 5A-140 |
| 3 | Seals, self-clamping                                | 5A-150 to 5A-170 |
| 4 | Cell sponge rubber, stretch-free and self-adhesive  | 5A-180           |
| 5 | Seals secured in a U-section                        | 5A-190           |
| 6 | Seals   | 5A-200           |
| 7 | EMC seals   | 5A-210 to 5A-220 |
| 8 | Seals according to VDI 6022                         | 5A-230           |
| 9 | Seals made of fire protection material              | 5A-240           |
|   | Reference to special catalogue 'Sealing Technology' | 5A-250           |



Compression

5A-100

Info

1 Quarter turns

2 Rod controls

3 Locking systems

4 Hinges

5 Seals

6 Handles

7 Aluminium windows

8 Miscellaneous

9 Special catalogues

Index

Info

1 Quarter turns

2 Rod controls

3 Locking systems

4 Hinges

5 Seals

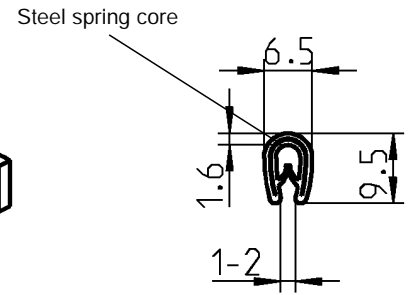
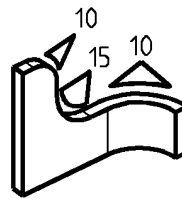
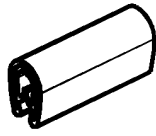
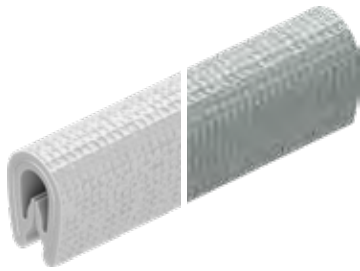
6 Handles

7 Aluminium windows

8 Miscellaneous

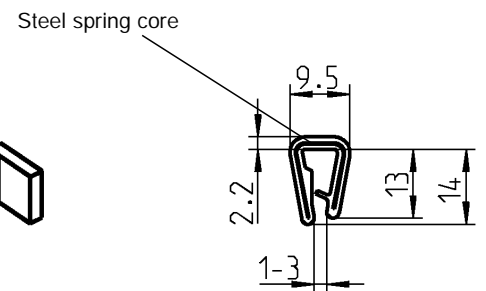
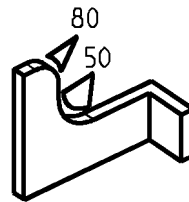
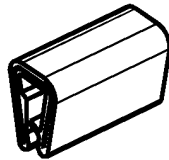
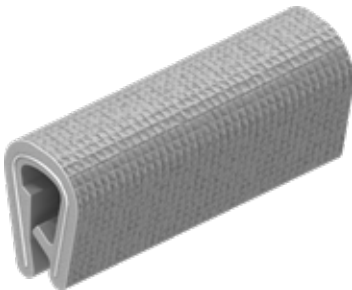
9 Special catalogues

Index



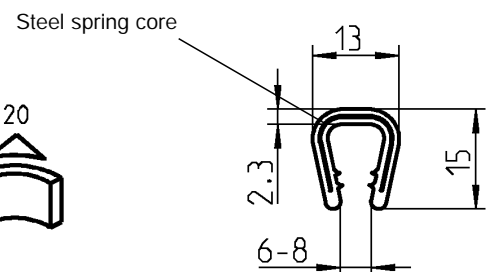
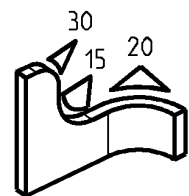
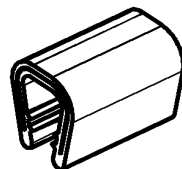
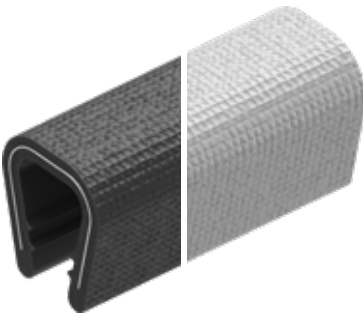
#### Edge protection PVC 70 ± 5 Shore A, colour of choice

white	1010-04-01
silver	1010-04-02



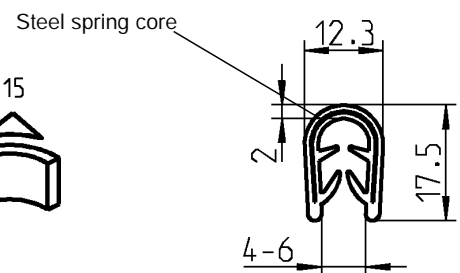
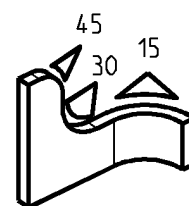
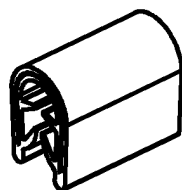
#### Edge protection PVC 70 ± 5 Shore A, light-grey

Steel spring core, continuous	1010-05
-------------------------------	---------



#### Edge protection PVC 70 ± 5 Shore A, colour of choice

black	1010-06
light grey	1010-06-01

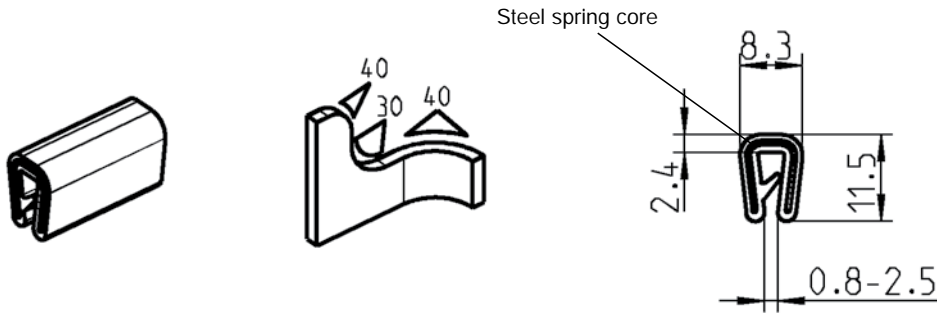


#### Edge protection PVC 70 ± 5 Shore A, colour of choice

black	1010-11
dark grey	1010-11-01

# Edge protection

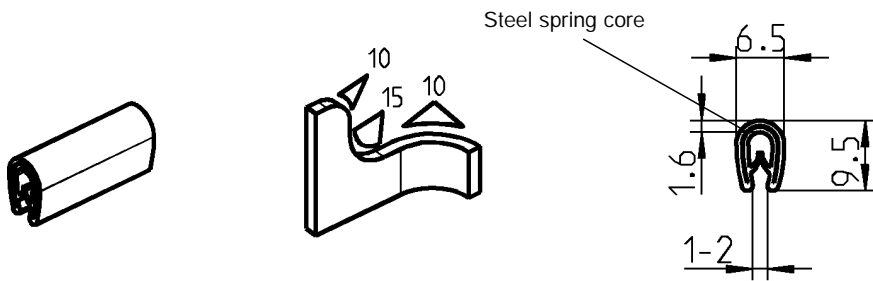
## PROGRAM 1010



Edge protection EPDM 60 ± 5 Shore A, black

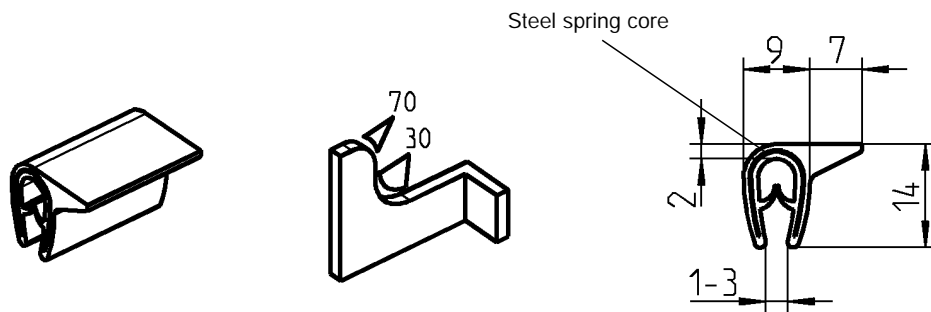
1010-12

Temperature resistance = -40°C to 90°C



Edge protection PVC 70 ± 5 Shore A, black

1010-02

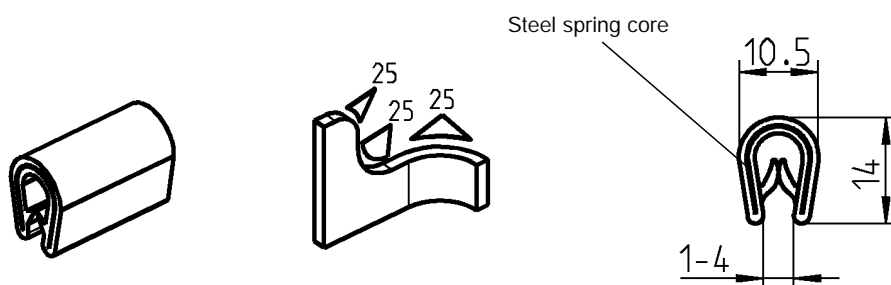


Edge protection PVC 70 ± 5 Shore A, anthracite

Steel spring core, continuous

1010-09

Temperature resistance = -40°C to 90°C

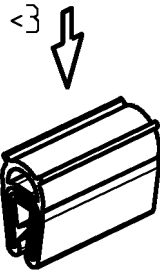


Edge protection PVC 70 ± 5 Shore A, black

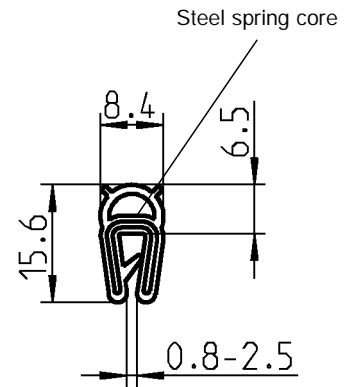
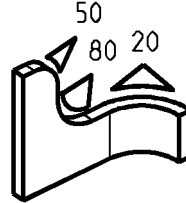
1010-01



**CRUS\***



compressible

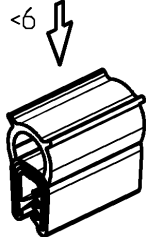


**Sealing profile foam rubber, clamping profile material of choice**

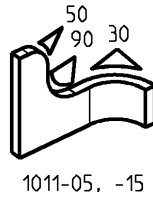
Foam rubber EPDM, clamping profile EPDM 65 ± 5 Shore A, black	1011-10*
Foam rubber NBR, clamping profile NBR 60 ± 5 Shore A, black	1011-50



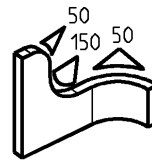
**CRUS\***



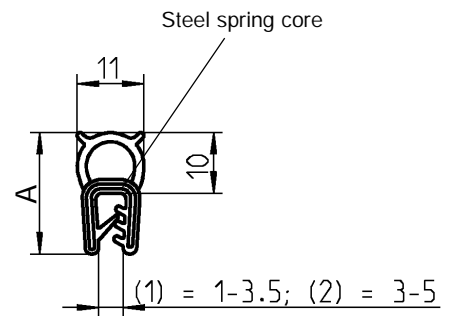
compressible



1011-05, -15



1011-47, -49



**Sealing profile foam rubber, clamping profile material of choice**

	A	
Foam rubber EPDM, clamping profile EPDM 65 ± 5 Shore A, black	20	1011-05* (1)
Foam rubber NBR, clamping profile NBR 60 ± 5 Shore A, black	21	1011-15 (1)
Foam rubber EPDM, clamping profile EPDM 65 ± 5 Shore A, black	21	1011-49 (2)
Foam rubber NBR, clamping profile NBR 60 ± 5 Shore A, black	21	1011-47 (2)

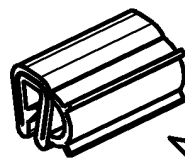


**CRUS\***

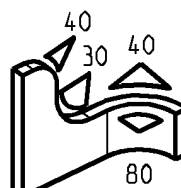
UL 50

UL 94-HB

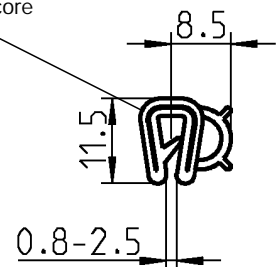
**CRUS\***



compressible



Steel spring core

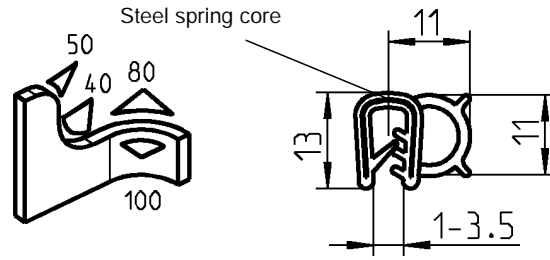
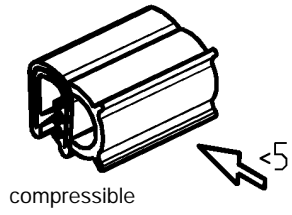


**Sealing profile foam rubber EPDM, clamping profile EPDM 65 ± 5 Shore A, black**

1011-09\*

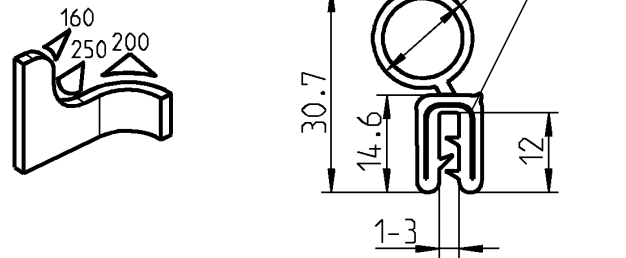
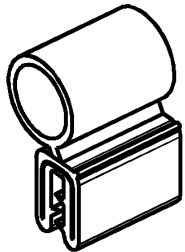
# Seals, self-clamping

## PROGRAM 1011



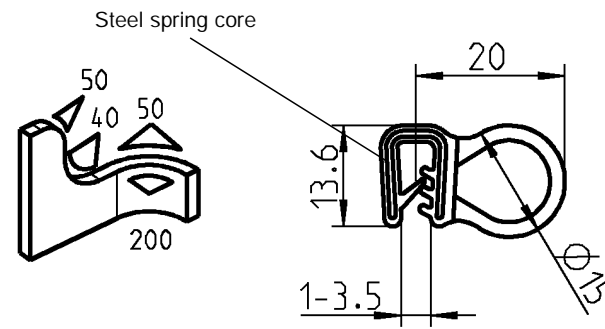
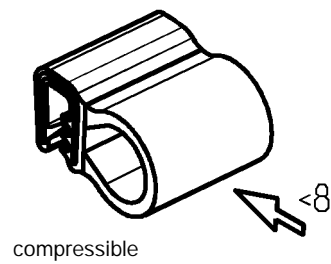
Sealing profile foam rubber, clamping profile material of choice

Foam rubber EPDM, clamping profile EPDM 65 ± 5 Shore A, black	1011-06*
Foam rubber NBR, clamping profile NBR 60 ± 5 Shore A, black	1011-16



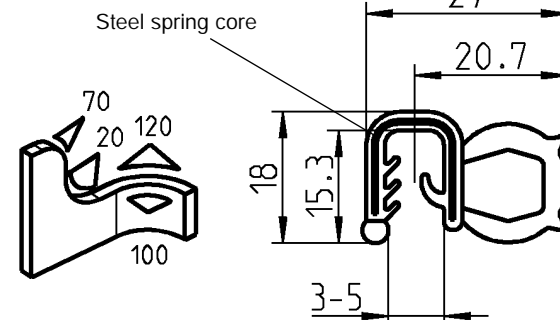
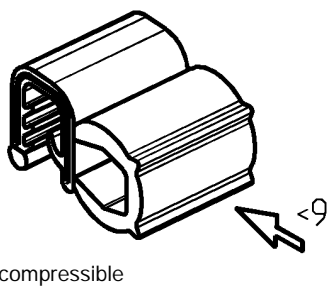
Sealing profile foam rubber EPDM, clamping profile EPDM 60 ± 5 Shore A, black

1011-34



Sealing profile foam rubber EPDM, clamping profile EPDM 65 ± 5 Shore A, black

1011-12\*



Sealing profile foam rubber EPDM, clamping profile EPDM 65 ± 5 Shore A, black

Bore holes approx. every 300 mm	1011-45
---------------------------------	---------

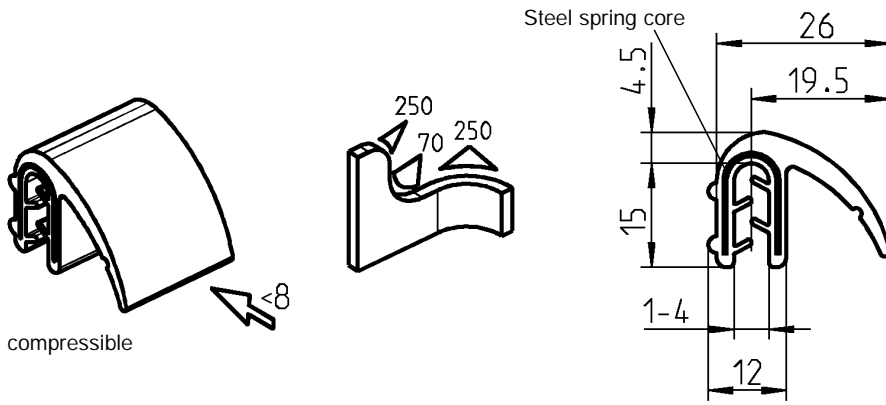


UL 50  
UL 94-HB



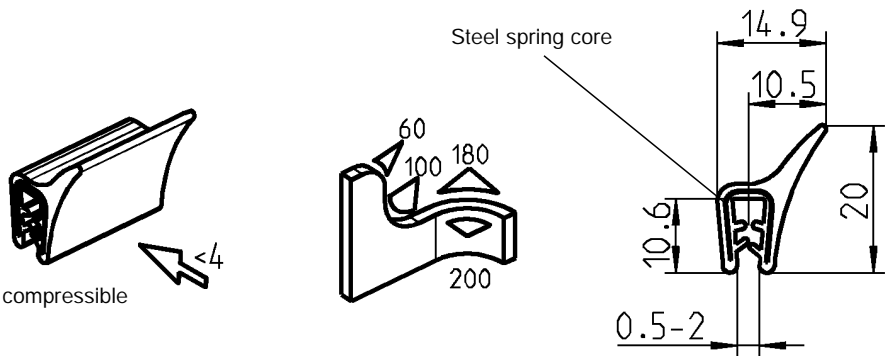
# Seals, self-clamping

## PROGRAM 1011



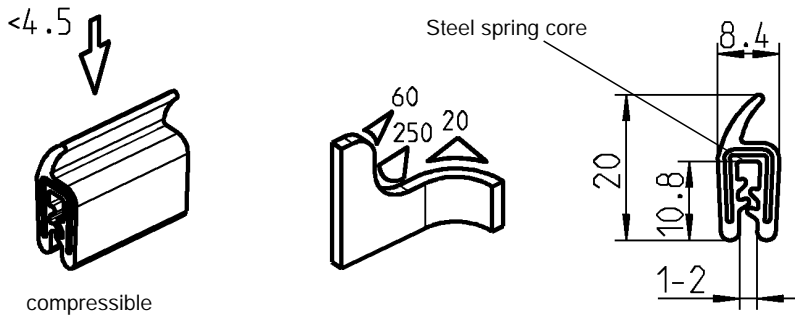
Sealing profile and clamping profile EPDM 60 ± 5 Shore A, black

1011-40



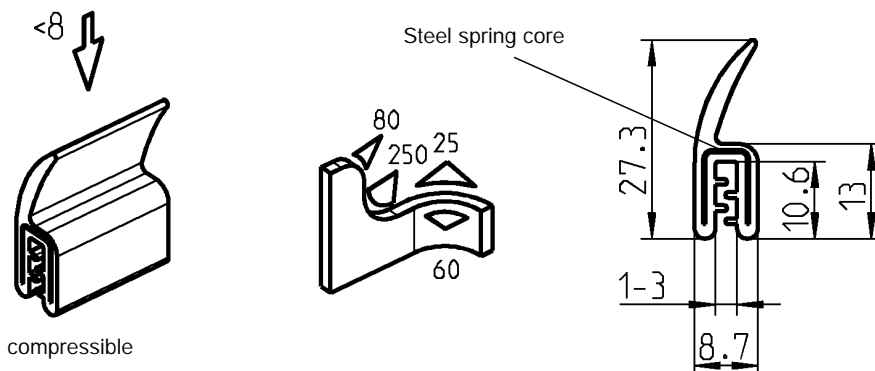
Sealing profile and clamping profile EPDM 60 ± 5 Shore A, black

1011-44



Sealing profile and clamping profile EPDM 60 ± 5 Shore A, black

1011-31

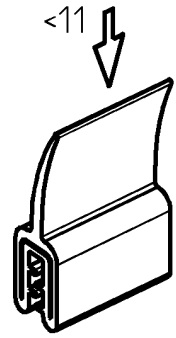


Sealing profile and clamping profile EPDM 60 ± 5 Shore A, black

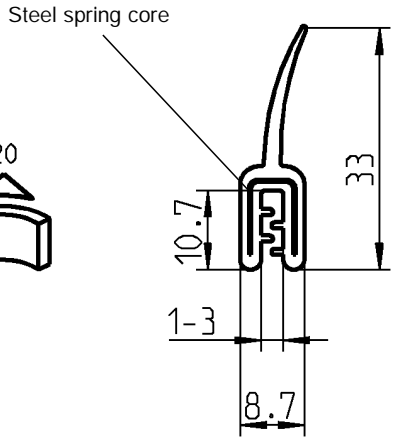
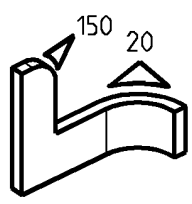
1011-32



Info  
1 Quarter turns  
2 Rod controls  
3 Locking systems  
4 Hinges  
5 Seals  
6 Handles  
7 Aluminium windows  
8 Miscellaneous  
9 Special catalogues  
Index

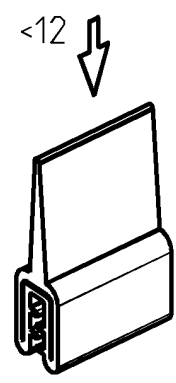


compressible

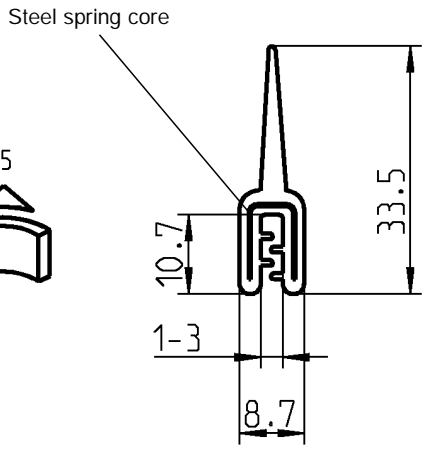
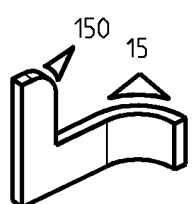


Sealing profile EPDM  $60 \pm 5$  Shore A, black

1011-30

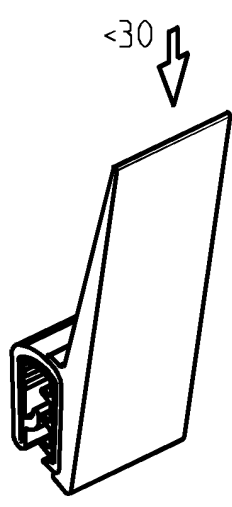


compressible

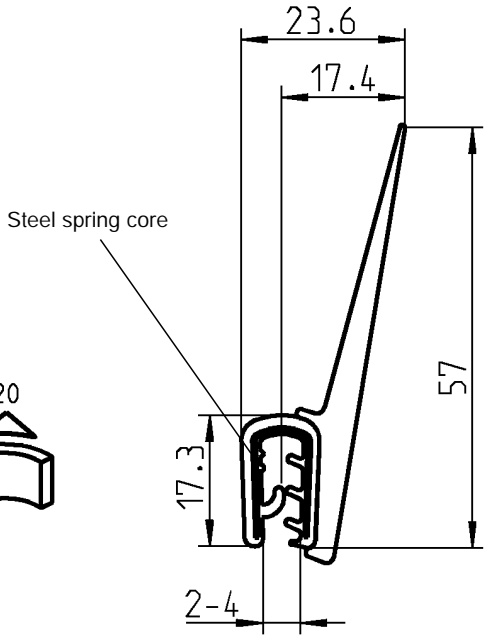
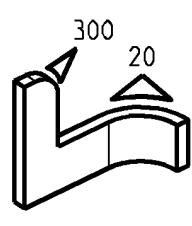


Sealing profile and clamping profile EPDM  $60 \pm 5$  Shore A, black

1011-36



compressible



Sealing profile foam rubber EPDM, clamping profile PVC  $70 \pm 5$  Shore A, black

1011-27

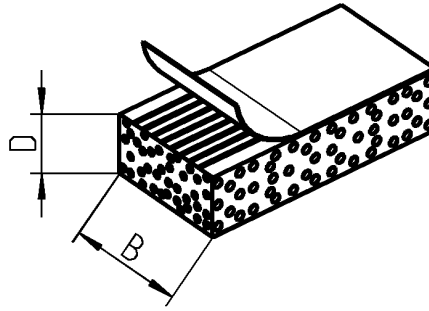


# Cell sponge rubber

## PROGRAM 1016

Delivery lengths:

For depths 3 – 7 = Coil length a 10 m  
 For depths 8 – 10 = Coil length a 5 m  
 For depths 11 = in stripes a 1 m

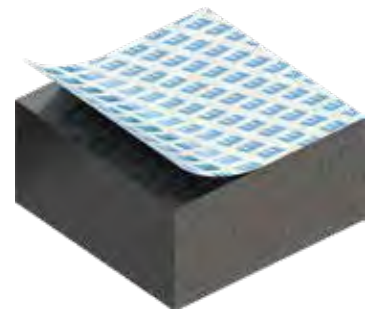
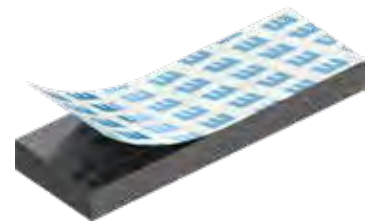


Dimension available from stock.  
 All other dimensions available in 2 to 3 weeks.

Special lengths available in 6 to 8 weeks. Minimum order quantity on request  
 (Item no.: 1016- ... - L mm) e.g. 1016-118-1400

### Cell sponge rubber material of choice, stretch-free and self-adhesive, black

Dim.				Dim.			
Width	Depth	EPDM	CR	Width	Depth	EPDM	CR
10	3	1016-13	1016-61	30	10	1016-123	1016-159
	4	1016-14	1016-62		12	1016-124	1016-160
	5	1016-15	1016-63		15	1016-125	1016-161
10	6	1016-75	1016-99		20	1016-126	1016-162
	8	1016-76	1016-100		25	1016-127	1016-163
	10	1016-77	1016-101		5	1016-128	1016-164
15	3	1016-16	1016-64	40	10	1016-129	1016-165
	4	1016-17	1016-65		15	1016-130	1016-166
	5	1016-18	1016-66		20	1016-131	1016-167
15	6	1016-78	1016-102		25	1016-132	1016-168
	8	1016-79	1016-103		30	1016-133	1016-169
	10	1016-80	1016-104		5	1016-134	1016-170
	12	1016-81	1016-105	10	1016-135	1016-171	
	15	1016-82	1016-106	15	1016-136	1016-172	
20	3	1016-19	1016-67	50	20	1016-137	1016-173
	4	1016-20	1016-68		25	1016-138	1016-174
	5	1016-21	1016-69		30	1016-139	1016-175
	6	1016-83	1016-107		5	1016-140	1016-176
20	8	1016-84	1016-108		10	1016-141	1016-177
	10	1016-85	1016-109		15	1016-142	1016-178
	12	1016-86	1016-110	20	1016-143	1016-179	
	15	1016-87	1016-111	25	1016-144	1016-180	
	20	1016-88	1016-112	30	1016-145	1016-181	
	3	1016-89	1016-113	70	5	1016-146	1016-182
4	1016-90	1016-114	10		1016-147	1016-183	
6	1016-91	1016-115	15		1016-148	1016-184	
8	1016-92	1016-116	20		1016-149	1016-185	
10	1016-93	1016-117	25		1016-150	1016-186	
12	1016-94	1016-118	30		1016-151	1016-187	
25	15	1016-95	1016-119	80	5	1016-152	1016-188
	20	1016-96	1016-120		10	1016-153	1016-189
	3	1016-22	1016-70		15	1016-154	1016-190
	4	1016-23	1016-71		20	1016-155	1016-191
30	5	1016-24	1016-72		25	1016-156	1016-192
	6	1016-97	1016-121		30	1016-157	1016-193
	8	1016-98	1016-122		40	1016-158	1016-194



Info

1 Quarter turns

2 Rod controls

3 Locking systems

4 Hinges

5 Seals

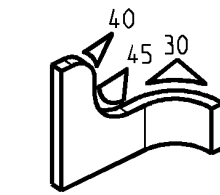
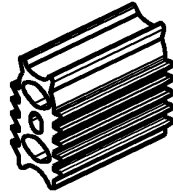
6 Handles

7 Aluminium windows

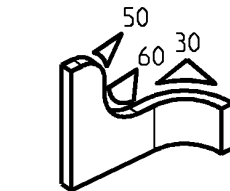
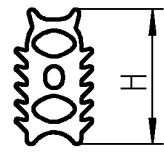
8 Miscellaneous

9 Special catalogues

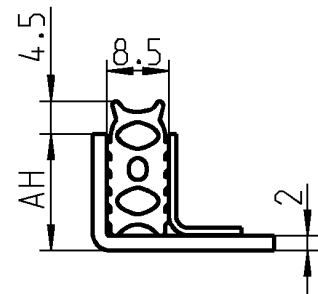
Index



1003-11-N - 1003-13-N

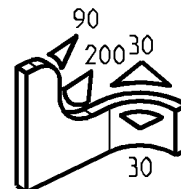
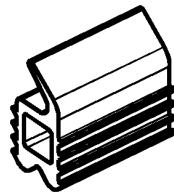


1003-14-N - 1003-24-N

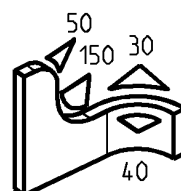
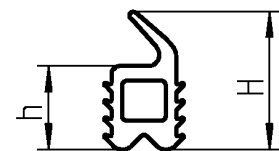


#### 4-Lip profile foam rubber EPDM 25 Shore A, black

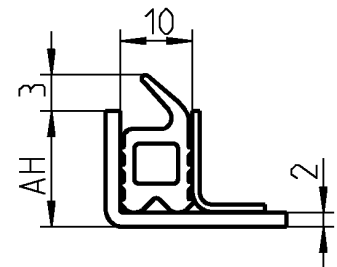
AH	Height H	
16	18.5	1003-11-N*
18	20.5	1003-12-N*
20	22.5	1003-13-N*
22	24.5	1003-15-N*
24	26.5	1003-24-N*
26	28.5	1003-14-N*



1003-01



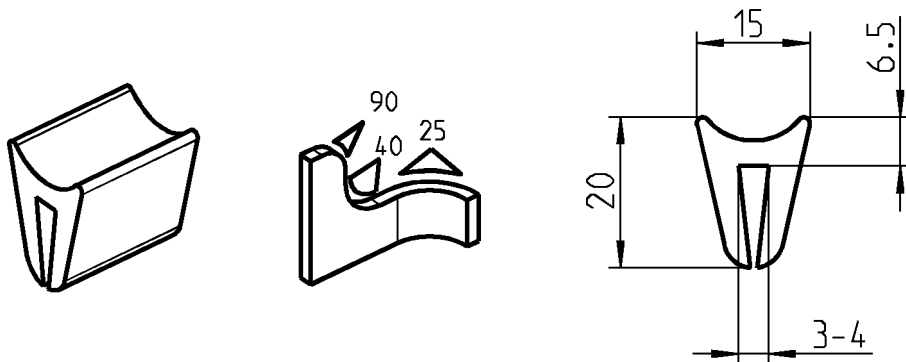
1003-02 - 1003-04



#### Lip profile EPDM 55 Shore A, black

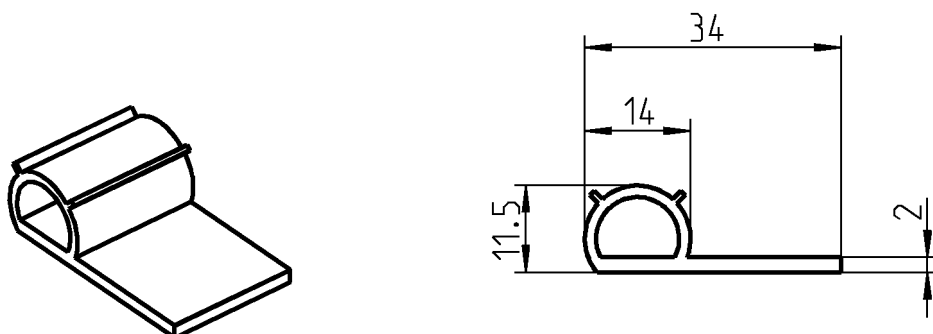
AH	H	h	Number of chambers	
16	17	9.5	1	1003-04
18	19	11.5	1	1003-03
20	21	13.5	2	1003-02
26	27	19.5	3	1003-01

\*   
UL 50  
UL 94-HB



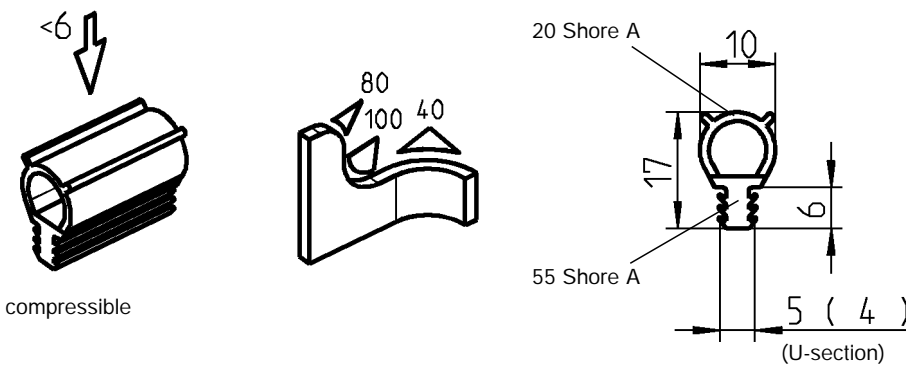
Sealing profile EPDM 55 Shore A, black

1038-07



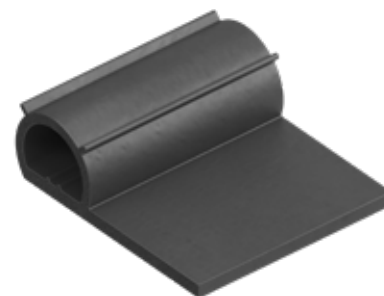
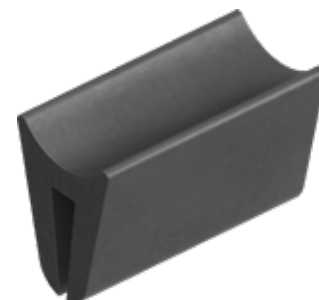
Sealing profile EPDM 55 Shore A, black

1038-10



Sealing profile foam rubber EPDM, clamping profile EPDM 55 ± 5 Shore A, black

1101-03



### EMC seals PROGRAM EMC

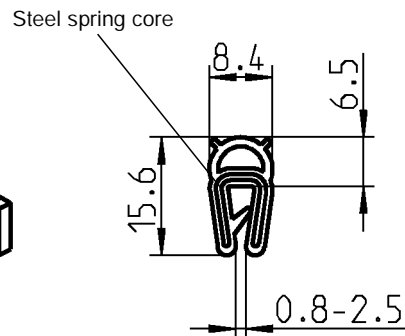
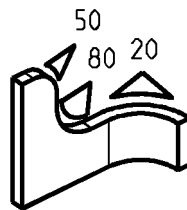
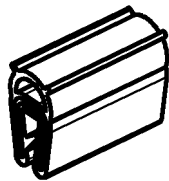
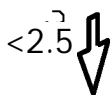
#### EMC seals



#### Attention:

Please provide a contact area for all EMC seals.

Further profiles on request.



Sealing profile foam rubber EPDM, clamping profile EPDM 65 ± 5 Shore A, black

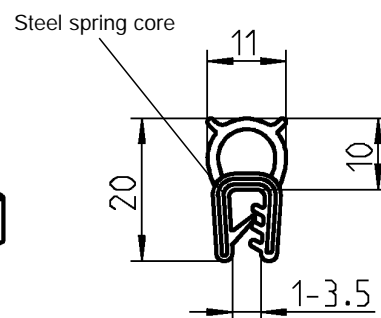
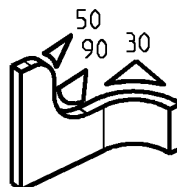
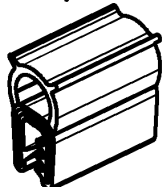
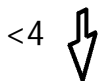
1011-10-E

#### EMC seals



#### Further parts see page

- EMC seal 5A-220
- EMC conductive tape 5A-220



Sealing profile foam rubber EPDM, clamping profile EPDM 65 ± 5 Shore A, black

1011-05-E

## Shield electromagnetic radiation

Electrical and electromagnetic fields can become a source of interference for technical equipment. Current carrying cables, electrical appliances and electronic controls generate such electromagnetic fields during operation.

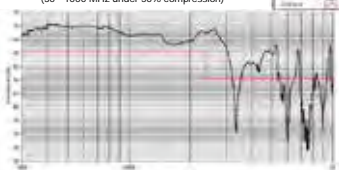
It may therefore be necessary to shield switch and control cabinets with EMC protection measures. In principle, it is always a matter of forming a kind of "Faraday cage" that prevents either the propagation or the irradiation of electromagnetic waves.

The solution offered by EMKA consists of a completely jacketed EPDM seal and an EMC conductive tape. This combination closes the slot antenna created by the door opening and diverts induced eddy currents to ground.

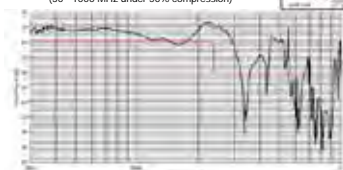
To ensure full-surface electrical contact with the housing, the contactive tape of metallized fleece is bonded to the housing (frame edge and door contact surface) with electrically conductive adhesive before powder coating. After stove enamelling, the mask is removed. This results in a corrosion-resistant, electrically conductive surface.

EMKA has carried out extensive test series according to DIN EN 61587-3 "Shielding tests for cabinets and subracks" to determine the shielding effectiveness with closed metal enclosures (see graphics below).

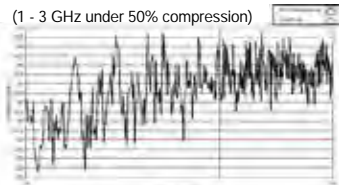
Shielding effectiveness - Vertical  
(30 - 1000 MHz under 50% compression)



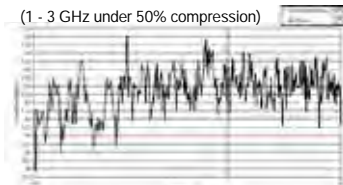
Shielding effectiveness - Horizontal  
(30 - 1000 MHz under 50% compression)



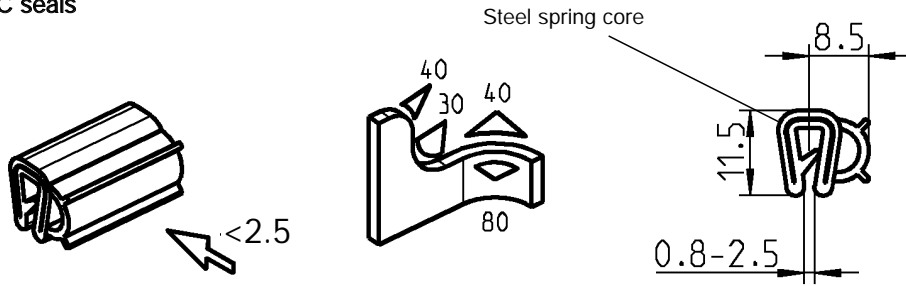
(1 - 3 GHz under 50% compression)



(1 - 3 GHz under 50% compression)



EMC seals



Sealing profile foam rubber EPDM, clamping profile EPDM 65 ± 5 Shore A, black

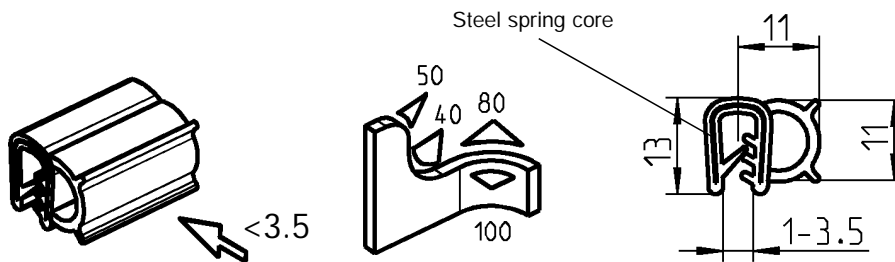
1011-09-E

**Attention:**

Please provide a contact area for all EMC seals.

Further profiles on request.

EMC seals



Sealing profile foam rubber EPDM, clamping profile EPDM 65 ± 5 Shore A, black

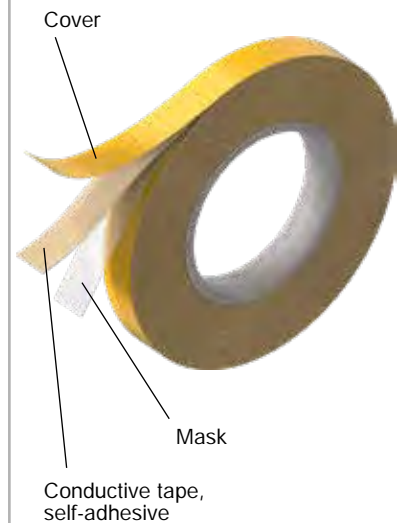
1011-06-E

EMC conductive tape

- For painting and contact
- Highly-conductive adhesive for creating paint-free contact areas
- Length 25 m

**Note:**

- The surface to be coated must be free of grease and dust.
- Remove the cover from the contact strip and stick the conductive tape onto the contact surfaces on the door and frame with some pressure. For better adhesion the conductive tape is wider than the mask.
- Powder-coating can then be applied, whereby the mask prevents the coating adhering to the conductive tape. The baking temperature for powder-coating should be as low as possible.
- After powder-coating, the mask can be easily removed (preferably while still warm) while the conductive contact tape remains securely in place.
- The continuous operating temperature should not exceed 90° C.



EMC conductive tape

Width in mm	Suitable for EMC seal	
12.7	for contact surface on door side	1016-220-127E
22	1011-09-E; 1011-10-E	1016-220-220E
25.4	1011-05-E; 1011-06-E	1016-220-254E

Further dimensions on request

Further parts see page  
- EMC seal

5A-210

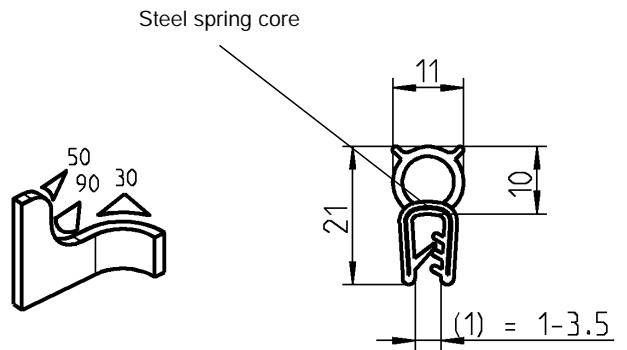
### Seals according to VDI 6022

#### PROGRAM 1011

According to VDI 6022



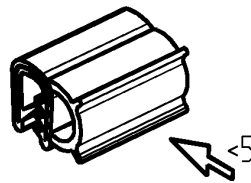
compressible



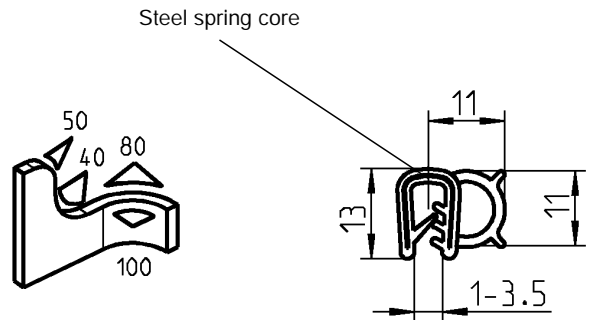
Sealing profile EPDM  $45 \pm 5$  Shore A, clamping profile EPDM  $60 \pm 5$  Shore A, black

1011-05-09

According to VDI 6022



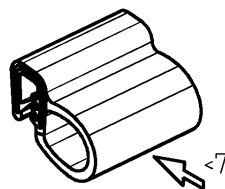
compressible



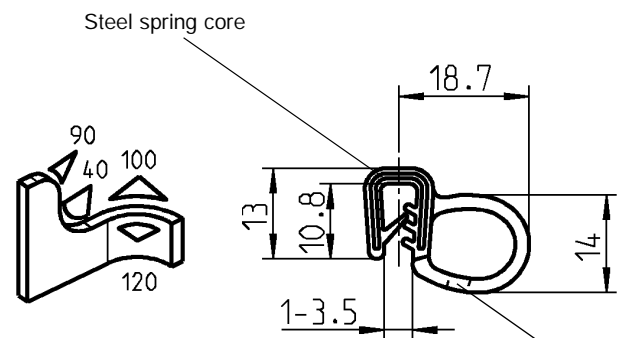
Sealing profile EPDM  $45 \pm 5$  Shore A, clamping profile EPDM  $60 \pm 5$  Shore A, black

1011-06-09

According to VDI 6022



compressible



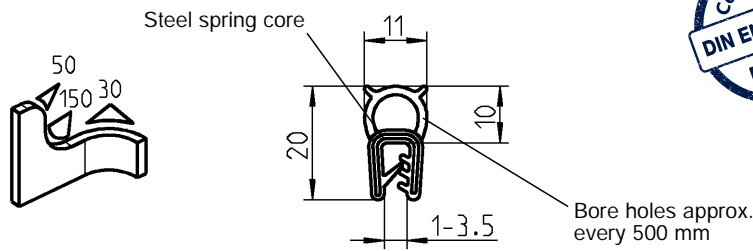
Bore holes approx. every 500 mm

Sealing profile foam rubber EPDM, clamping profile EPDM  $64 \pm 5$  Shore A, black

1011-19-09

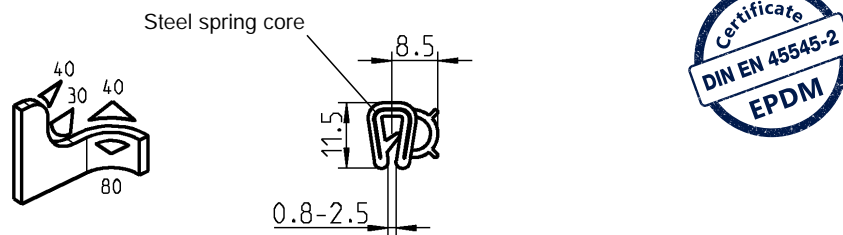
# Seals made of fire protection material (EPDM)

## PROGRAM 1011



Sealing profile made of fire protection material foam rubber EPDM, clamping profile EPDM 60 ± 5 Shore A, black

1011-05-FR01



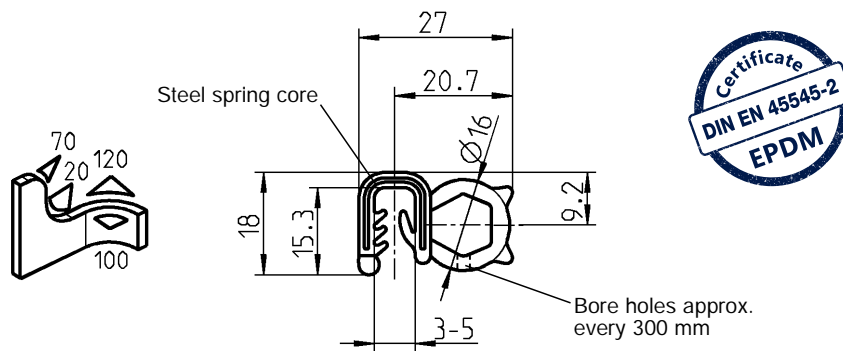
Sealing profile made of fire protection material foam rubber EPDM, clamping profile EPDM 60 ± 5 Shore A, black

1011-09-FR01



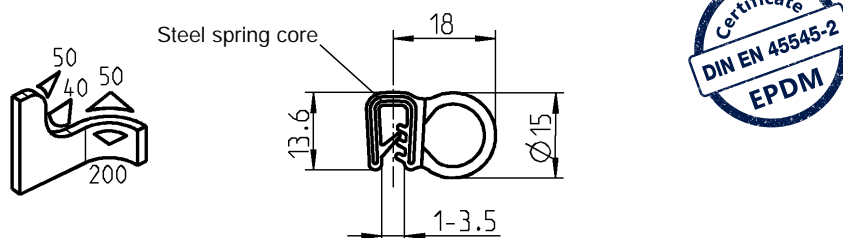
### Product benefits

- Flame retardant for more safety
- Significant cost savings compared to silicone seals
- Readily customized frames and rings according to customer specifications possible
- Profile geometry also individually according to customer requirements
- Reliable top quality from in-house production in Europe



Sealing profile made of fire protection material foam rubber EPDM, clamping profile EPDM 60 ± 5 Shore A, black

1011-45-FR01



Sealing profile made of fire protection material foam rubber EPDM, clamping profile EPDM 60 ± 5 Shore A, black

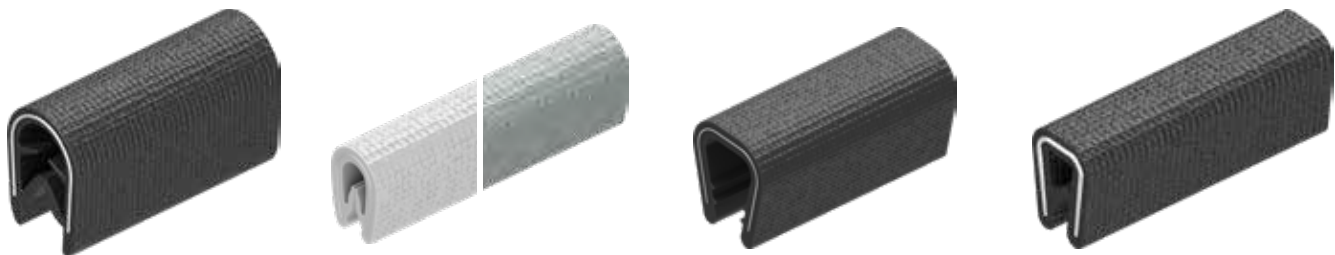
1011-51-FR01



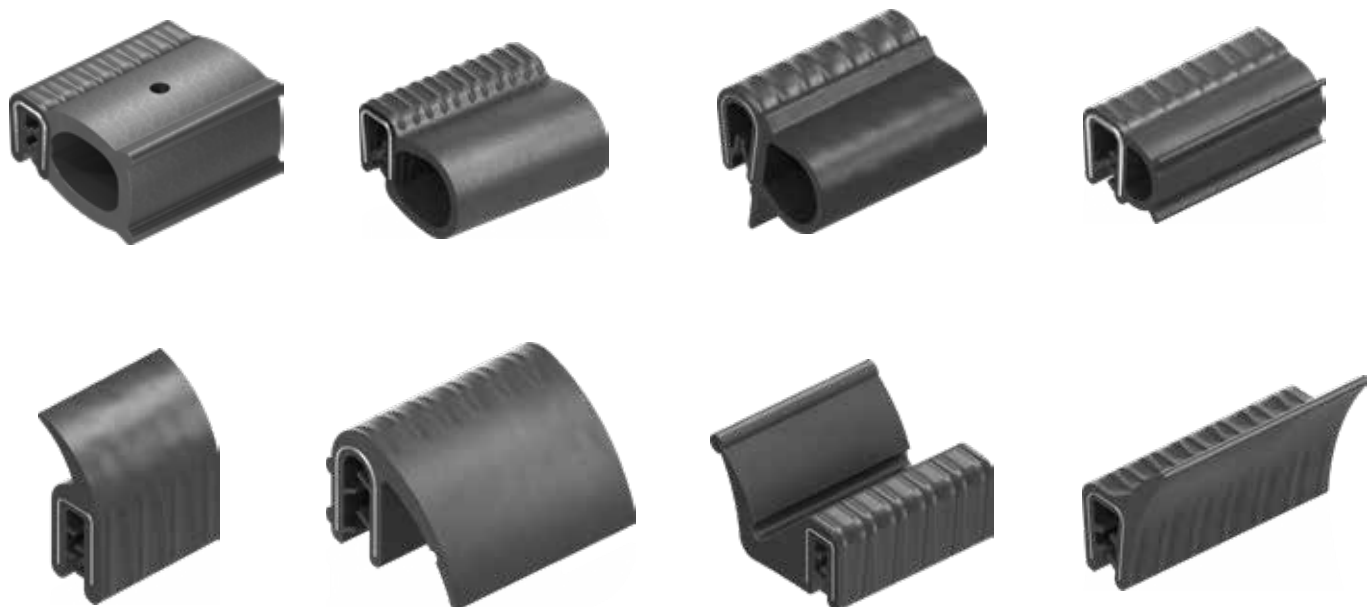
# Seals

## Extract from the special catalogue

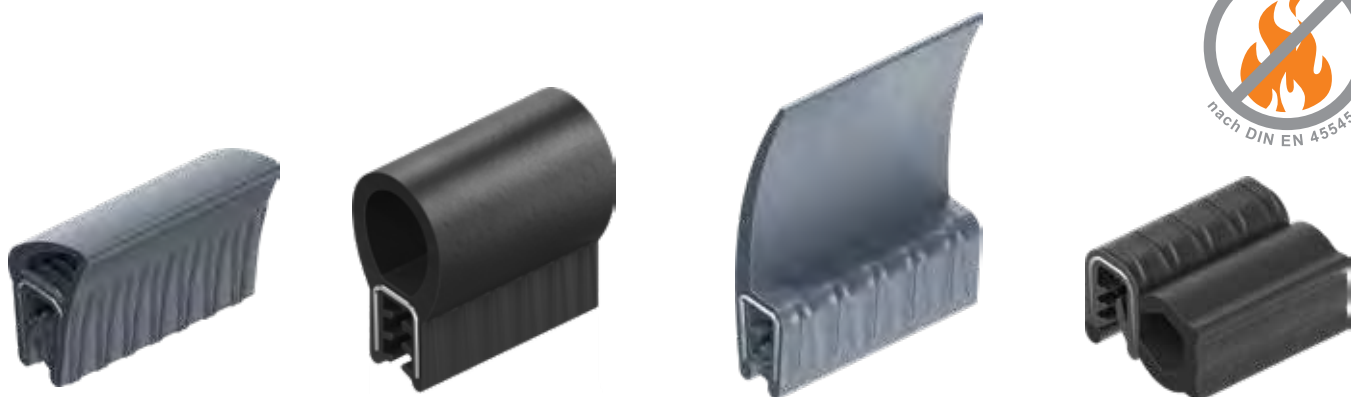
### Edge protection profiles



### Self-clamping sealing profiles

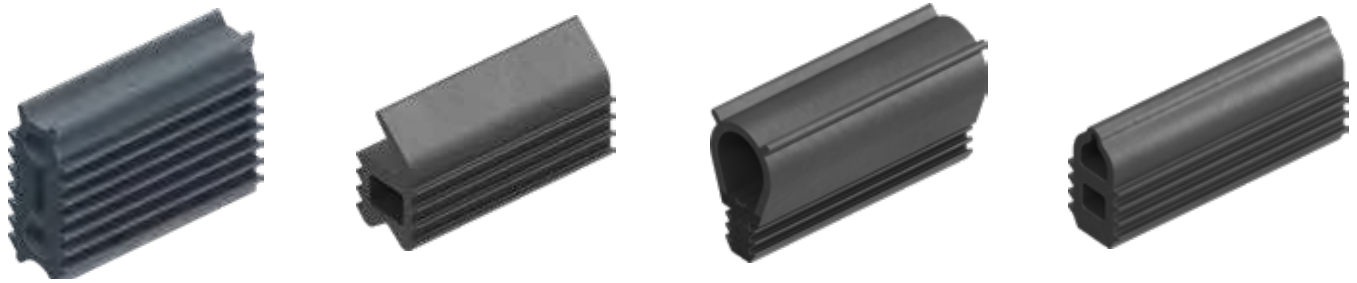


### Self-clamping sealing profiles made of fire protection material

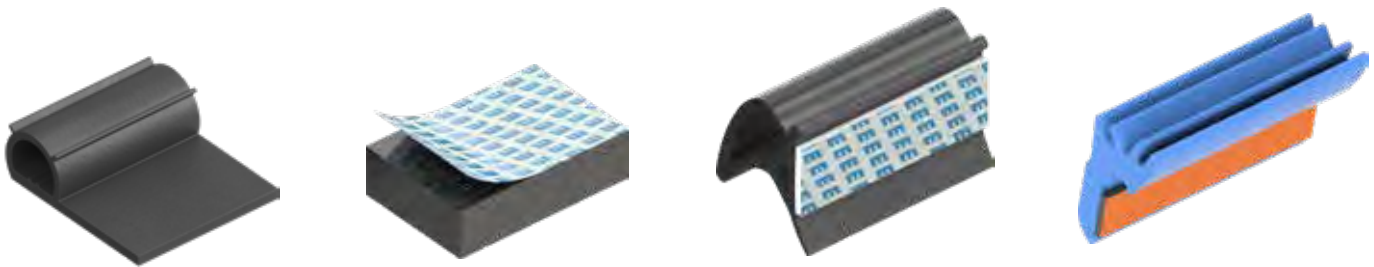




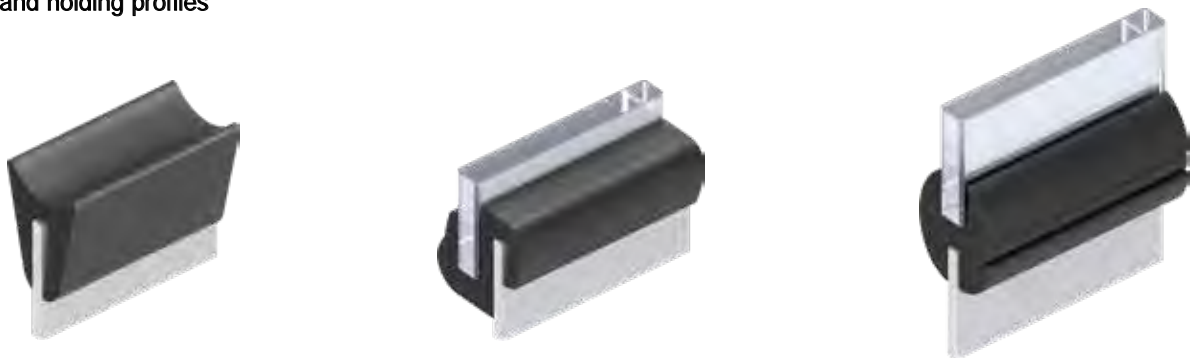
## U-section profiles



## Profiles with adhesive tape



## Clamping and holding profiles



All standard profiles as well as further information on the subject of seals can be found in our 108-page special catalogue:

**Sealing Technology made to measure - Profiles and Frames from In-House Production**



**Download**



# Handles Program 1095



Info

1 Quarter turns

2 Rod controls

3 Locking systems

4 Hinges

5 Seals

6 Handles

7 Aluminium windows

8 Miscellaneous

9 Special catalogues

Index



1



1



2



3



5

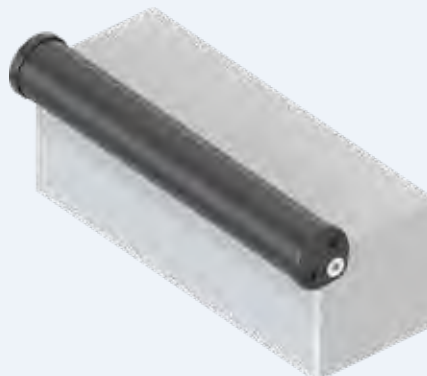


5



6

8



- |   |  |                  |
|---|--|------------------|
| 1 | Bow-type handles in different sizes                | 6A-120 to 6A-210 |
| 2 | Stainless steel bow-type handle for hygienic areas | 6A-200           |
| 3 | Handle   | 6A-440           |
| 4 | Machine handle                                     | 6A-210           |
| 5 | Tube handle in various lengths                     | 6A-320 to 6A-360 |
| 6 | Handle in various lengths or fixed lengths         | 6A-220, 6A-240   |
| 7 | Chest handle in various lengths                    | 6A-420           |
| 8 | Edge handle in various lengths                     | 6A-420           |

# Bow-type handle

## PROGRAM 1095

Info

1 Quarter turns

2 Rod controls

3 Locking systems

4 Hinges

5 Seals

6 Handles

7 Aluminium windows

8 Miscellaneous

9 Special catalogues

Index



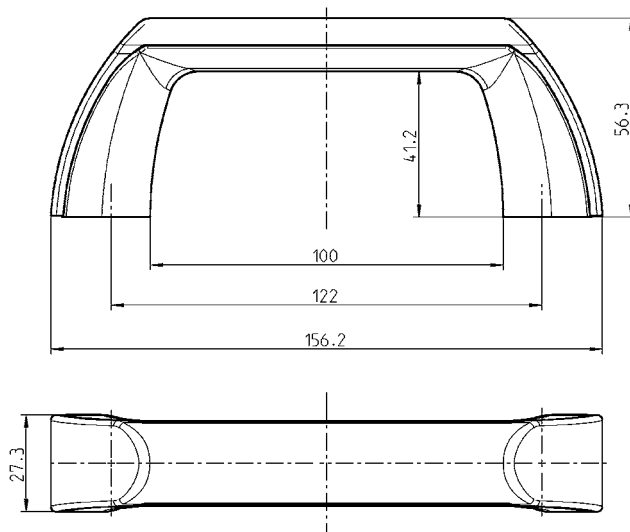
**Note:**  
Antimicrobial additive:  
Biomaster silver biocide.  
Please handle biocides  
responsibly.



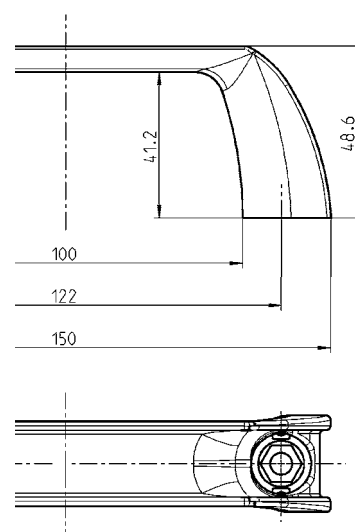
Small head = DIN ISO 2009,  
2010, 7046-1, 7046-2, 7047

Fixing material is not included  
in scope of delivery.

Bow-type handle with cover



Bow-type handle without cover



### Bow-type handle polyamide GF black

Handle for hexagon head screw or cylinder head screw M6 acc. to DIN 4017/1207	1095-35
---	---------

Handle for countersunk screw small head M5 or blind rivet Ø 4.8 mm	1095-36
--	---------

### Cover for bow-type handle polyamide GF black

	1095-37
--	---------

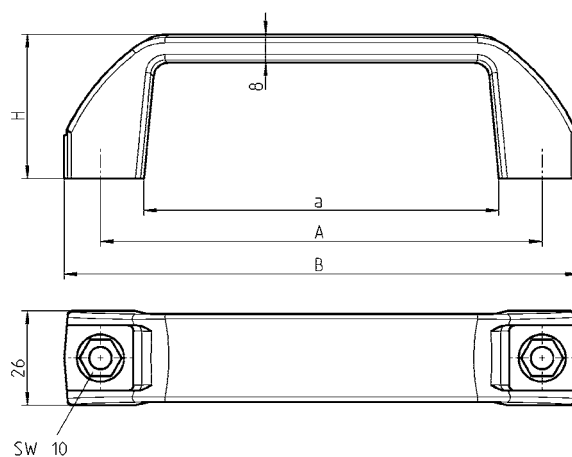
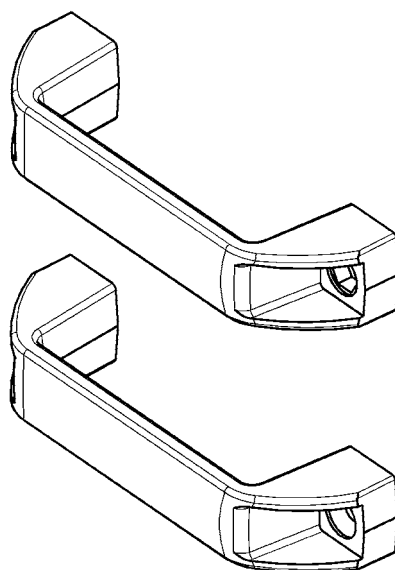
### Bow-type handle made of antimicrobial polyamide GF black

	1095-36-WI
--	------------

### Cover for bow-type handle made of antimicrobial polyamide GF black

	1095-37-WI
--	------------

### Bow-type handle



Version	a	A	B	H
1	98	122	142	40
2	118.5	152	167	53.5

### Bow-type handle polyamide GF black

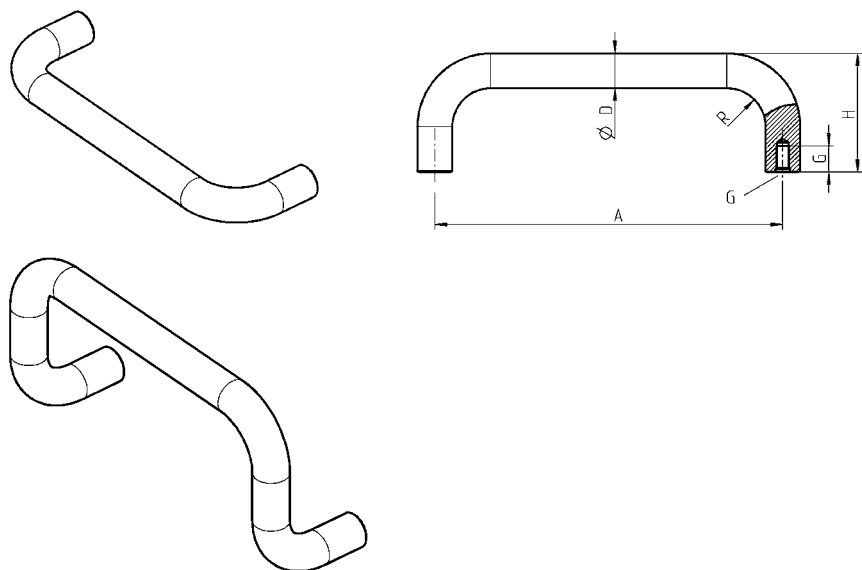
	Version 1	Version 2
Handle for hexagon head screw or cylinder head screw M6 acc. to DIN 4017/1207	1095-05	1095-19

Handle for countersunk screw small head M5 or blind rivet Ø 4.8 mm	1095-06	-
--	---------	---

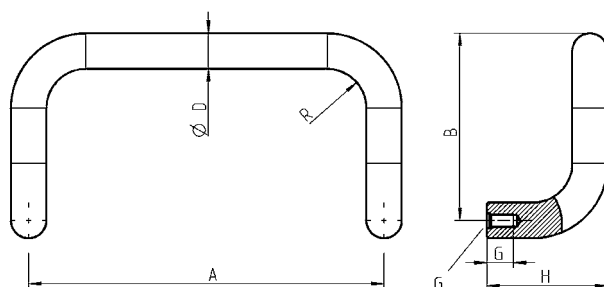
# Bow-type handle

## PROGRAM 1095

Version 1



Version 2



Version 1



Version 2



Bow-type handle aluminium raw or black plastic coated,  
threaded bush aluminium with  $\varnothing D = 28$

Version 1

A	B	D	G	H	R	blank	black
200	-	20	M8x15	68	22	1095-24-200KB	1095-24-200AA
250	-	20	M8x15	68	22	1095-24-250KB	1095-24-250AA
250	-	28	M10x15	78	32	1095-U24-250KB	1095-U24-250AA
300	-	20	M8x15	68	22	1095-24-300KB	1095-24-300AA
300	-	28	M10x15	78	32	1095-U24-300KB	1095-U24-300AA
350	-	20	M8x15	68	22	1095-24-350KB	1095-24-350AA
350	-	28	M10x15	78	32	1095-U24-350KB	1095-U24-350AA
400	-	28	M10x15	78	32	1095-U24-400KB	1095-U24-400AA

Version 2

A	B	D	G	H	R	blank	black
200	105	20	M8x15	68	22	1095-25-200KB	1095-25-200AA
250	120	28	M10x15	78	32	1095-U25-250KB	1095-U25-250AA
300	105	20	M8x15	68	22	1095-25-300KB	1095-25-300AA
350	120	28	M10x15	78	32	1095-U25-350KB	1095-U25-350AA
500	120	28	M10x15	78	32	1095-U25-500KB	1095-U25-500AA

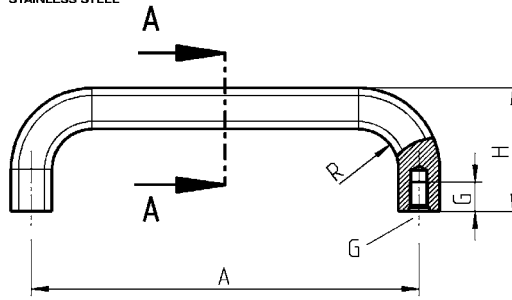
Bow-typed handles with  $\varnothing D = 28$  are made of an aluminium tube with thickness of 4 mm.

Fixing material is not included in scope of delivery.

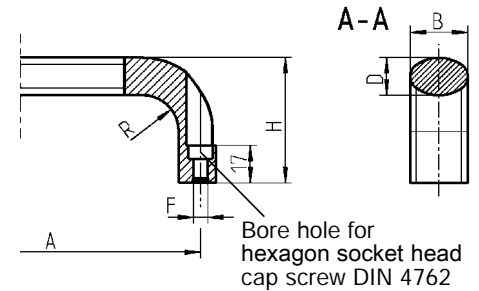
**AISI  
INOX**



Version 1



Version 2



Version 1



Version 2



Bow-type handle aluminium optionally blank, anodised or black plastic-coated or stainless steel AISI

**Version 1**

A	B	D	G	H	R	Aluminium blank	Aluminium anodized	Aluminium black
100	20	13	M6x10	47	13	1095-26-100KB	1095-26-100NA	1095-26-100AA
112	20	13	M6x10	49	13	1095-26-112KB	1095-26-112NA	1095-26-112AA
112	26	17	M8x12	53	17	1095-27-112KB	1095-27-112NA	1095-27-112AA
128	20	13	M6x10	51	13	1095-26-128KB	1095-26-128NA	1095-26-128AA
128	26	17	M8x12	55	17	1095-27-128KB	1095-27-128NA	1095-27-128AA
160	20	13	M6x10	51	13	1095-26-160KB	1095-26-160NA	1095-26-160AA
160	26	17	M8x12	57	17	1095-27-160KB	1095-27-160NA	1095-27-160AA
192	26	17	M8x12	57	17	1095-26-192KB	1095-26-192NA	1095-26-192AA
200	20	13	M6x10	51	13	1095-26-200KB		1095-26-200AA
300	26	17	M8x12	57	17	1095-26-300KB	1095-26-300NA	1095-26-300AA
400	26	17	M8x12	57	17	1095-26-400KB	1095-26-400NA	1095-26-400AA
500	26	17	M8x12	57	17	1095-26-500KB	1095-26-500NA	1095-26-500AA
A	B	D	G	H	R			AISI 304
112	20	13	M6x10	49	13			1095-26-112PC
128	20	13	M6x10	51	13			1095-26-128PC
160	20	13	M6x10	51	13			1095-26-160PC

**Version 2**

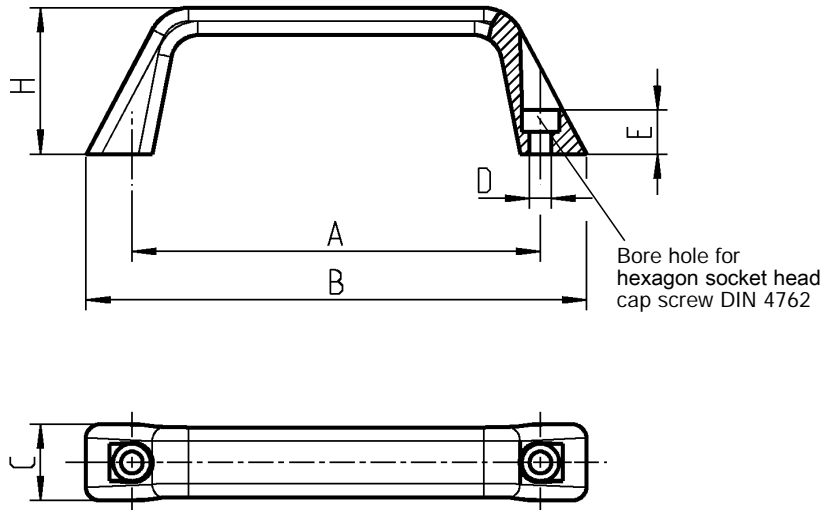
A	B	D	F	H	R	Aluminium blank	Aluminium anodized	Aluminium black
100	20	13	Ø 5.4	49	13	1095-42-100KB		1095-42-100AA
112	20	13	Ø 5.4	49	13	1095-42-112KB		1095-42-112AA
116	26	17	Ø 6.4	55	17	1095-28-116KB	1095-28-116NA	1095-28-116AA
120	20	13	Ø 5.4	51	13	1095-42-120KB		1095-42-120AA
128	20	13	Ø 5.4	51	13	1095-42-128KB		1095-42-128AA
132	26	17	Ø 6.4	55	17	1095-28-132KB	1095-28-132NA	1095-28-132AA
160	20	13	Ø 5.4	51	13	1095-42-160KB		1095-42-160AA
164	26	17	Ø 6.4	57	17	1095-28-164KB	1095-28-164NA	1095-28-164AA
196	26	17	Ø 6.4	57	17	1095-28-196KB	1095-28-196NA	1095-28-196AA
A	B	D	F	H	R		AISI CF-8	AISI 316
112	20	13	Ø 5.4	49	13		1095-42-112PS	
116	26	17	Ø 6.4	55	17			1095-28-116PH
128	20	13	Ø 5.4	51	13		1095-42-128PS	
160	20	13	Ø 5.4	51	13		1095-42-160PS	

Fixing material is not included in scope of delivery.

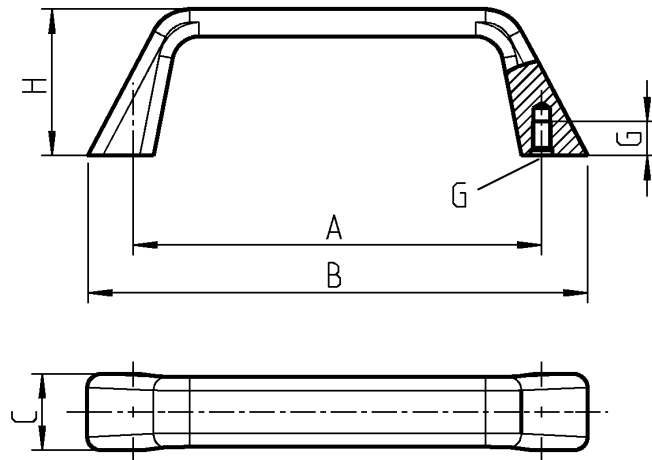
**6A-160** 10/19

(6A-142)

Version 1



Version 2



Bow-type handle aluminium blank or black plastic-coated

Version 1

A	B	C	D	E	H	blank	black
120	147	22.5	6.4	13	43	1095-29-120KB	1095-29-120AA
180	215	27	8.4	16	48	1095-29-180KB	1095-29-180AA

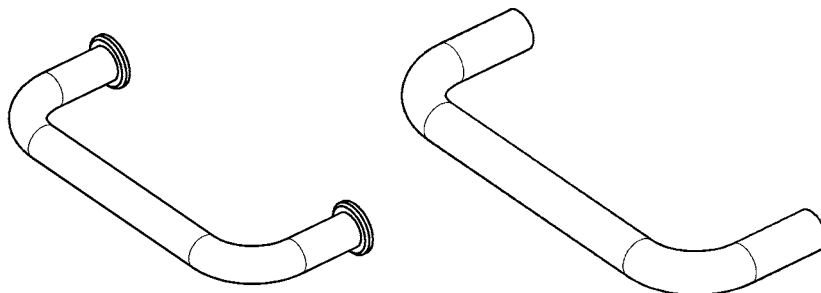
Version 2

A	B	C	G	H	blank	black
120	147	22.5	M6x10	43	1095-30-120KB	1095-30-120AA
180	215	27	M8x12	48	1095-30-180KB	1095-30-180AA

Fixing material is not included in scope of delivery.

**AISI  
INOX**

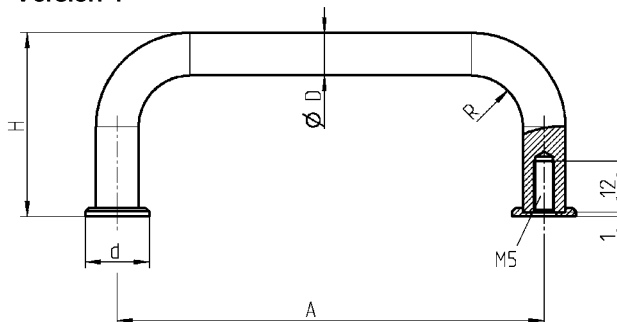
**EDELSTAHL**  
**Rost  
frei**  
STAINLESS STEEL



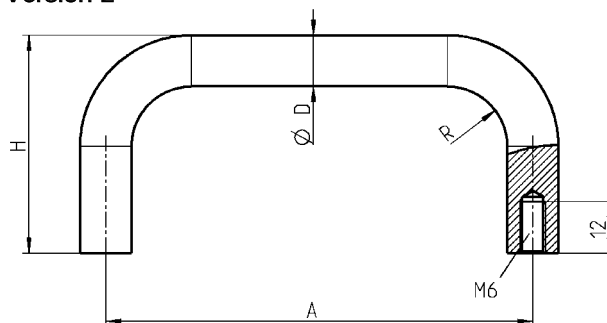
Version 1



Version 1



Version 2



Version 2



Bow-type handle optionally aluminium black plastic-coated, m.s. black plastic-coated or stainless steel AISI

**Version 1 with threaded hole M5**

A	D	d	H	R		Aluminium black	m.s. black
100	10	15	43	12		1095-U35-100AA	1095-U35-100RA
200	10	15	43	12		1095-U35-200AA	1095-U35-200RA
A	D	d	H	R		AISI 303	AISI 316L
100	10	15	43	12		1095-U35-100PF	1095-U35-100PK
200	10	28	43	12		1095-U35-200PF	1095-U35-200PK

**Version 2 with threaded hole M6**

A	D	d	H	R		Aluminium black	m.s. black
125	12	-	51	14		1095-38-125AA	1095-38-125RA
250	12	-	51	14		1095-38-250AA	1095-38-250RA
A	D	d	H	R		AISI 304	AISI 316L
125	12	-	51	14		1095-38-125PC	
250	12	-	51	14		1095-38-250PC	

**Version 2 without threaded hole M6**

A	D	d	H	R		AISI 304	
125	12	-	51	14		1095-39-125PC	

Fixing material is not included in scope of delivery.



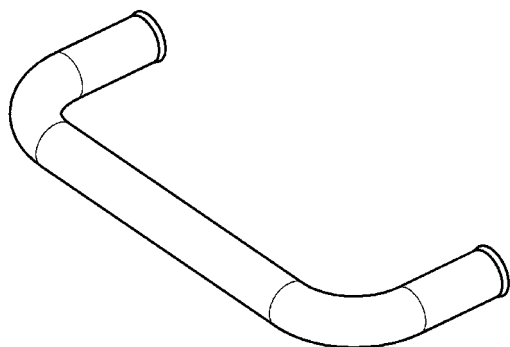
# St. steel bow-type handle for hygienic areas, Bow-type handle

PROGRAM 1095

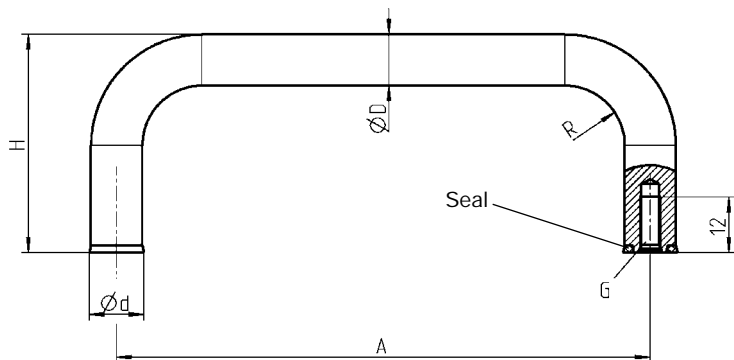
# EMKA

Info

Beschlagteile

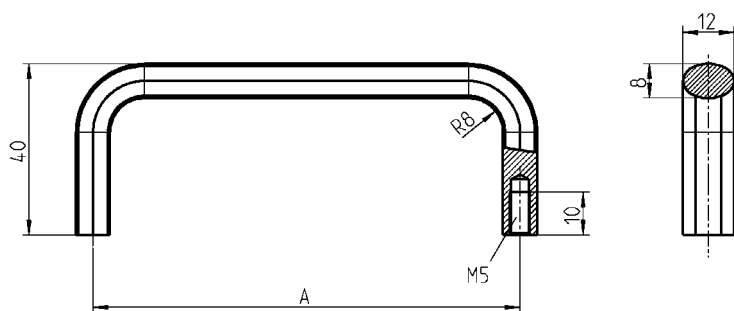
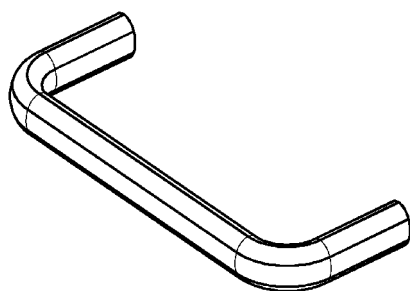


Stainless steel bow-type handle for hygienic areas with flat seal flush on the outside



Stainless steel bow-type handle AISI 316L for hygienic areas, with seal

A	D	d	G	H	R	
125	12	12.8	M5	51	14	1095-U38-125PK
200	16	16.8	M6	59	18	1095-U39-200PK



\* Bow-type handle aluminium black plastic-coated

A	
100	1095-40-100AA
120	1095-40-120AA
180	1095-40-180AA
200	1095-40-200AA

AISI INOX



\* Fixing material is not included in scope of delivery.

1 Quarter turns

2 Rod controls

3 Locking systems

4 Hinges

5 Seals

6 Handles

7 Aluminium windows

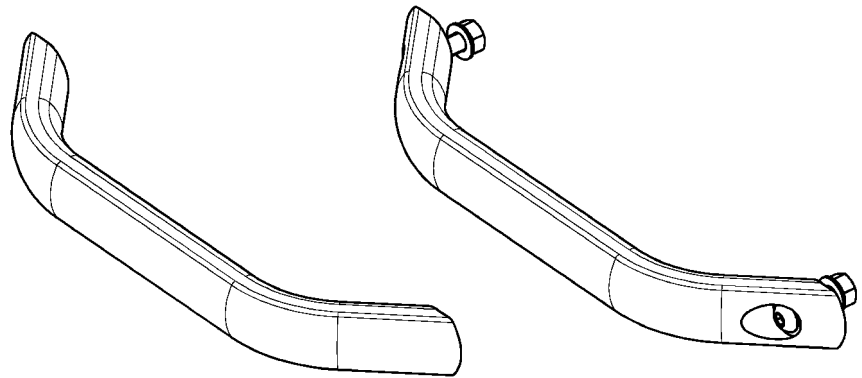
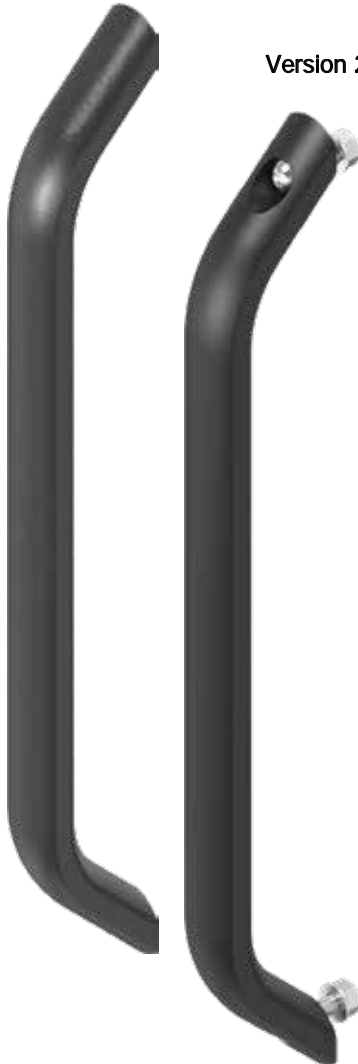
8 Miscellaneous

9 Special catalogues

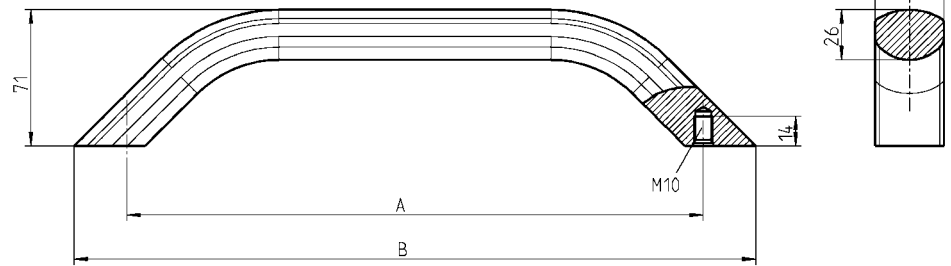
Index

Version 1

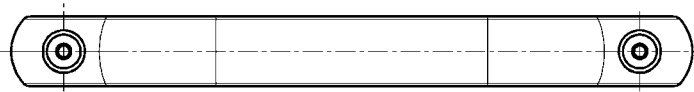
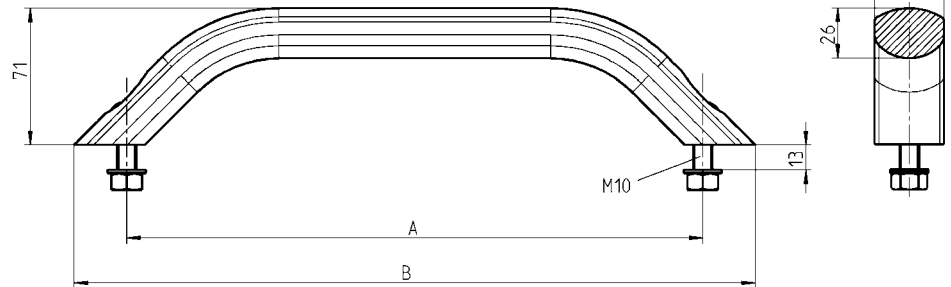
Version 2



\* Version 1



Version 2



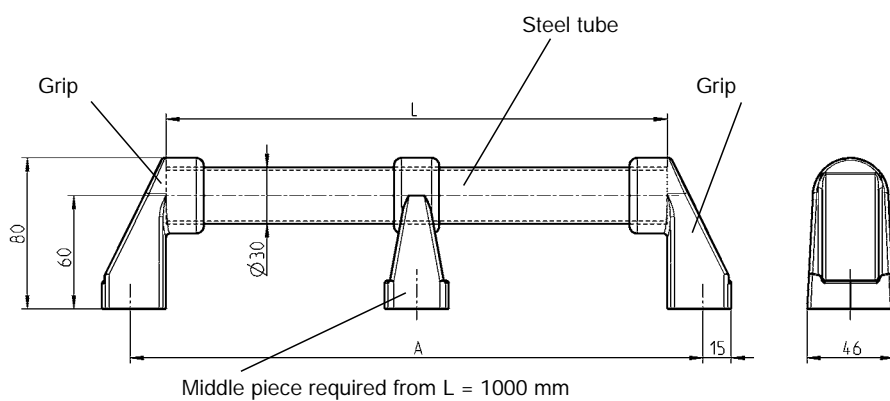
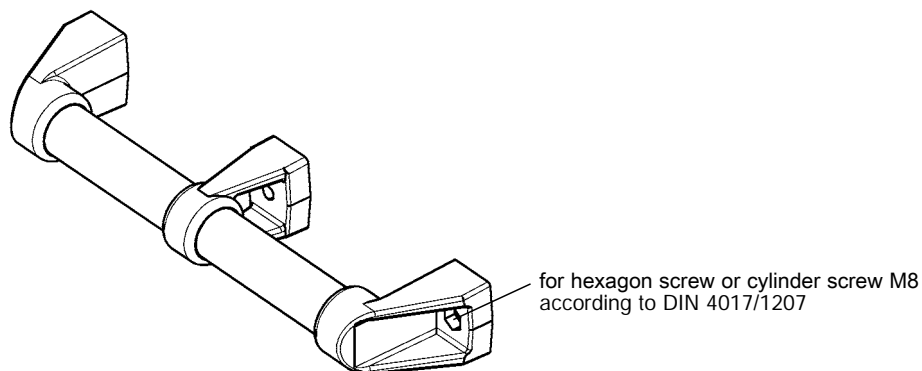
Machine handle aluminium black plastic-coated;  
for version 2: screw, washer and nut AISI 304

A	B	Version 1	Version 2
500	555	1095-41-500AA	1095-U36-500AA
600	655	1095-41-600AA	1095-U36-600AA
800	855	1095-41-800AA	1095-U36-800AA

\* Fixing material is not included in scope of delivery.

# Handle with variable length

## PROGRAM 1095



### Grip polyamide GF black

1095-07

### Middle piece polyamide GF black

1095-20

### Steel tube Ø 30 m.s. plastic-coated black

L	A		L	A	
266	300	1095-08	366	400	1095-09
466	500	1095-10	566	600	1095-11
666	700	1095-13	766	800	1095-14
2500	2534	1095-21			

Yard goods and fixed lengths up to 5000 mm \*

1095-12-L mm

\* Minimum quantity and delivery time on request!

Handle with variable length

Fixing material is not included in scope of delivery.

Info

1 Quarter turns

2 Rod controls

3 Locking systems

4 Hinges

5 Seals

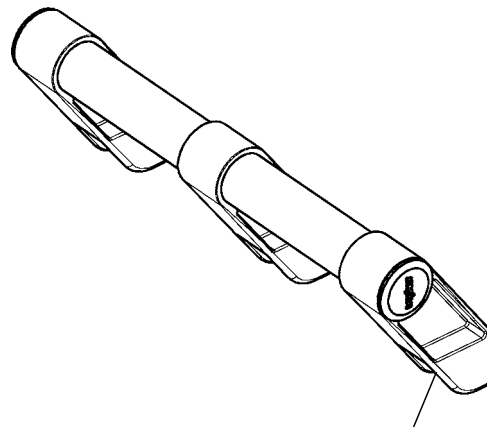
6 Handles

7 Aluminium windows

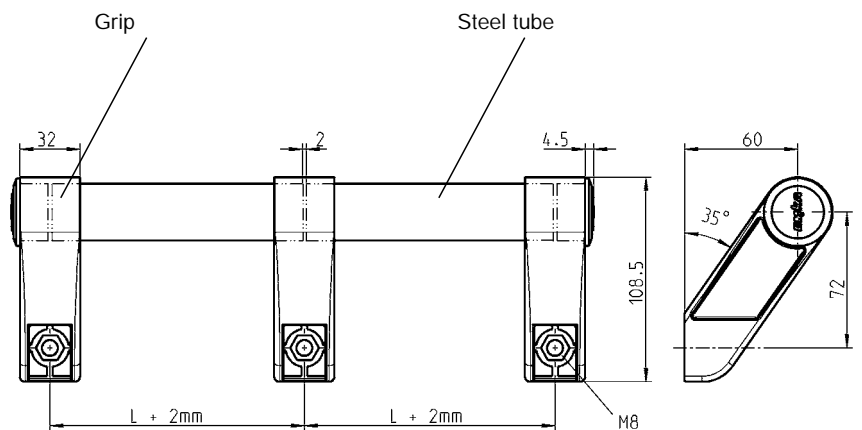
8 Miscellaneous

9 Special catalogues

Index



for hexagon screw or cylinder screw M8  
according to DIN 4017/1207



Grip usable left, right and as centre part. When used as a centre part, the tube has to be interrupted.

Handle with variable length  
(35° slope)

Fixing material is not included  
in scope of delivery.

**Grip polyamide black for hexagon screw or cylinder screw M8  
with 1 plug polypropylene black**

1095-U01

**Steel tube Ø 30 m.s. plastic-coated black**

L = 266	1095-08	L = 366	1095-09
L = 466	1095-10	L = 566	1095-11
L = 666	1095-13	L = 766	1095-14

Yard goods and fixed lengths  
up to 5000 mm \*

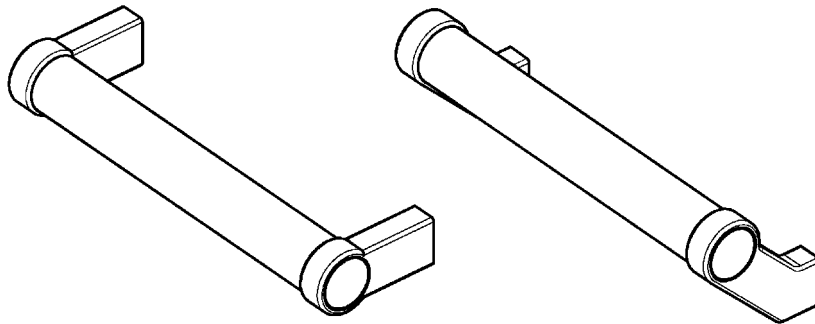
1095-12-L mm

\* Minimum quantity and delivery time on request!

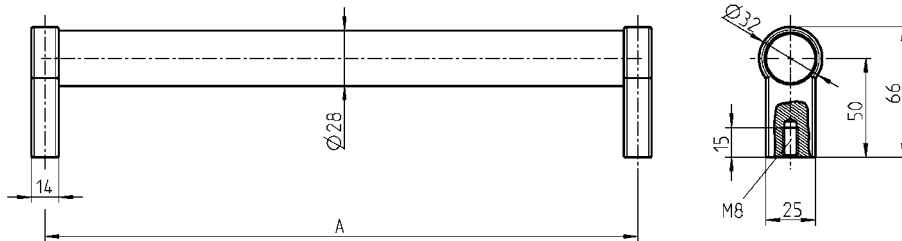
**6A-240**

(6A-151)

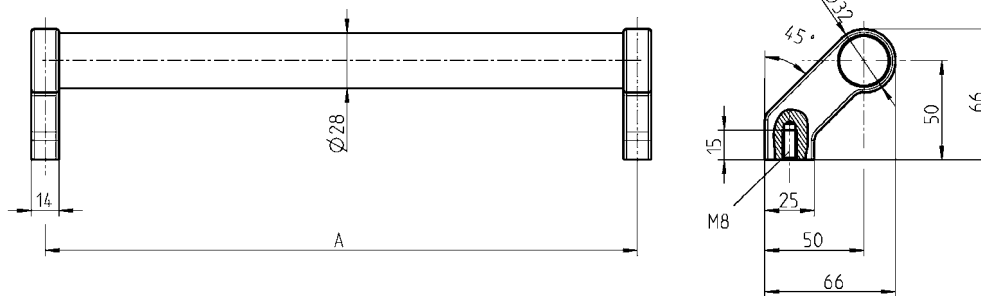
# Tube handle PROGRAM 1095



Version 1



Version 2



Version 1



Version 2

Tube handle aluminium anodized or black plastic-coated;  
handle base zinc die black plastic-coated;  
cover plastic light grey, screw m.s. zinc-plated

Version 1

A	anodized	black
200	1095-U26-200NA	1095-U26-200AA
250	1095-U26-250NA	1095-U26-250AA
300	1095-U26-300NA	1095-U26-300AA
400	1095-U26-400NA	1095-U26-400AA
500	1095-U26-500NA	1095-U26-500AA
600	1095-U26-600NA	1095-U26-600AA

Version 2

A	anodized	black
200	1095-U27-200NA	1095-U27-200AA
250	1095-U27-250NA	1095-U27-250AA
300	1095-U27-300NA	1095-U27-300AA
400	1095-U27-400NA	1095-U27-400AA
500	1095-U27-500NA	1095-U27-500AA
600	1095-U27-600NA	1095-U27-600AA

Fixing material is not included  
in scope of delivery.

Info

1 Quarter turns

2 Rod controls

3 Locking systems

4 Hinges

5 Seals

6 Handles

7 Aluminium windows

8 Miscellaneous

9 Special catalogues

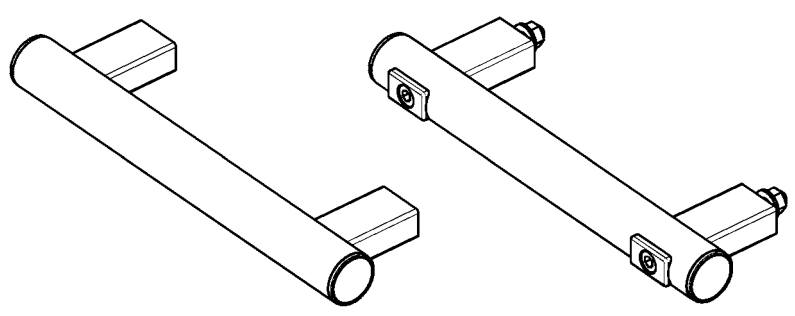
Index



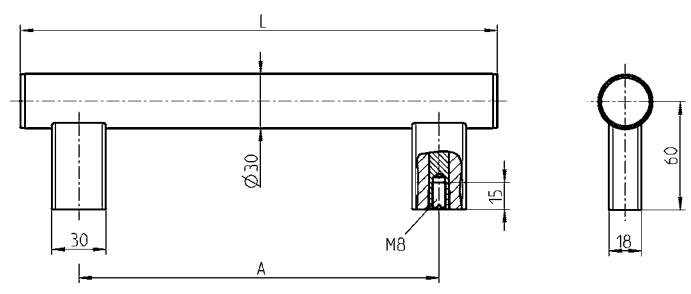
Version 1

Version 2

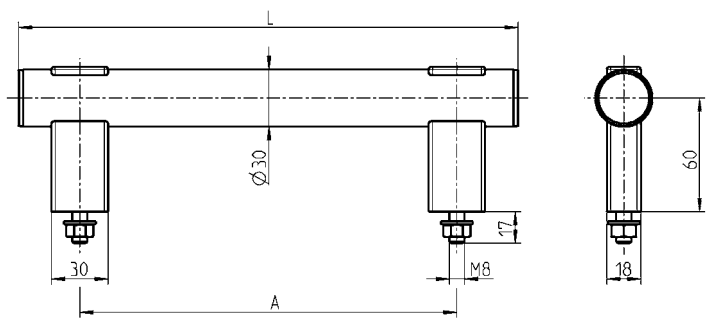
\* Fixing material is not included in scope of delivery.



\* Version 1



Version 2



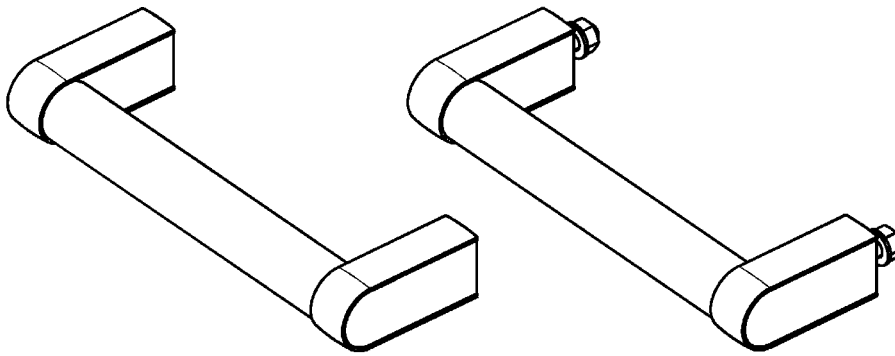
Tube handle aluminium anodized or black plastic-coated;  
handle base polyamide GF black, cover plastic black;  
holding screw and nut m.s. zinc-plated

## Version 1

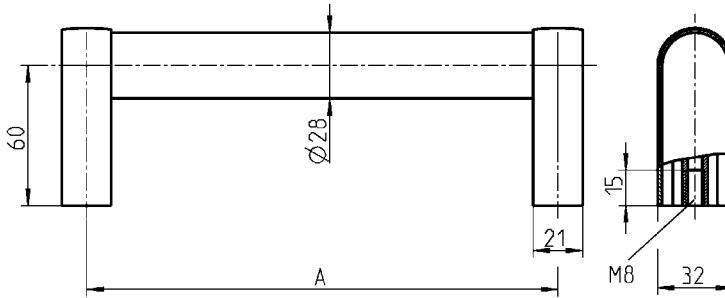
A	L	anodized	black
200	265	1095-U28-200NA	1095-U28-200AA
250	315	1095-U28-250NA	1095-U28-250AA
300	365	1095-U28-300NA	1095-U28-300AA
400	465	1095-U28-400NA	1095-U28-400AA
500	565	1095-U28-500NA	1095-U28-500AA
600	665	1095-U28-600NA	1095-U28-600AA

## Version 2

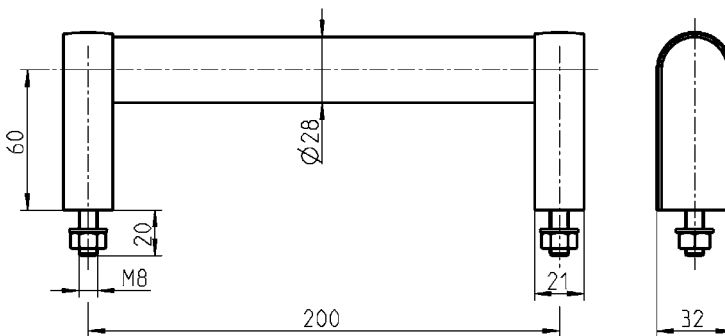
A	L	anodized	black
200	265	1095-U29-200NA	1095-U29-200AA
250	315	1095-U29-250NA	1095-U29-250AA
300	365	1095-U29-300NA	1095-U29-300AA
400	465	1095-U29-400NA	1095-U29-400AA
500	565	1095-U29-500NA	1095-U29-500AA
600	665	1095-U29-600NA	1095-U29-600AA



\* Version 1



Version 2



Version 1



Version 2

Tube handle aluminium anodized or black plastic-coated;  
cover plastic black, screw and nut m.s. zinc-plated

Version 1

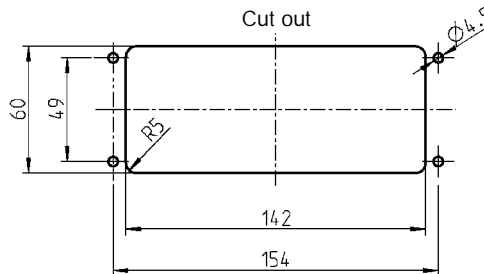
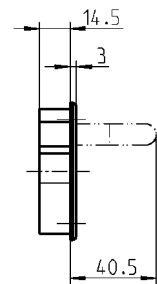
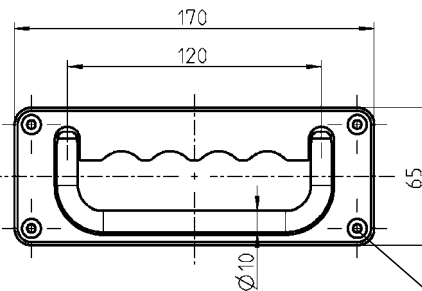
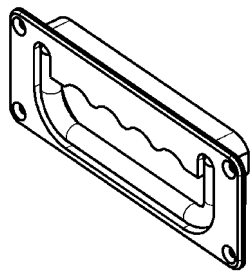
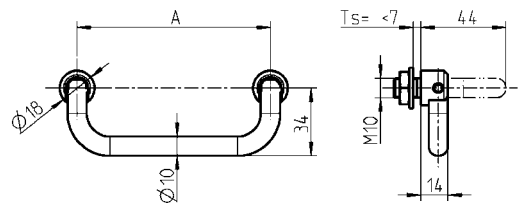
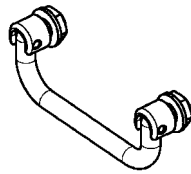
A	anodized	black
200	1095-U30-200NA	1095-U30-200AA
250	1095-U30-250NA	1095-U30-250AA
300	1095-U30-300NA	1095-U30-300AA
400	1095-U30-400NA	1095-U30-400AA
500	1095-U30-500NA	1095-U30-500AA
600	1095-U30-600NA	1095-U30-600AA

Version 2

A	anodized	black
200	1095-U31-200NA	1095-U31-200AA
250	1095-U31-250NA	1095-U31-250AA
300	1095-U31-300NA	1095-U31-300AA
400	1095-U31-400NA	1095-U31-400AA
500	1095-U31-500NA	1095-U31-500AA
600	1095-U31-600NA	1095-U31-600AA

\* Fixing material is not included in scope of delivery.

**AISI  
INOX**



\* Fixing hole for countersunk screw M4 DIN 7991

\*\* = on request

- Handle length 100 instead of 120
- with spring return of the handle to the folded position

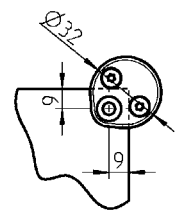
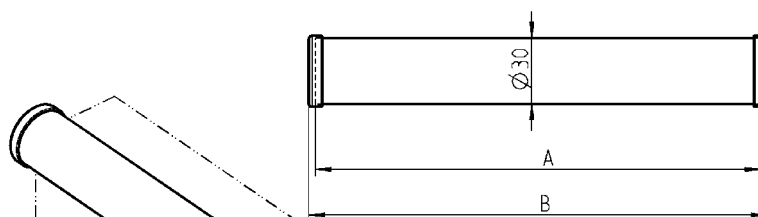
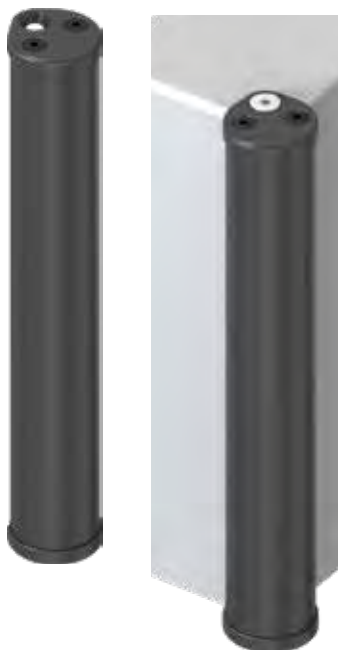
#### Chest handle m.s. chrome-plated or stainless steel AISI 303; fixing material AISI 303

A	m.s. chrome-plated	AISI 303
100	1095-U32-100IA	1095-U32-100PF
120	1095-U32-120IA	1095-U32-120PF
180	1095-U32-180IA	1095-U32-180PF

#### Chest handle m.s. chrome-plated, grip shell zinc die black

with locking mechanism of the handle in the folded and unfolded position

1095-U32-AA \*\*



\* Fixing hole for countersunk screw small head M5

#### Edge handle aluminium profile black plastic-coated; end pieces zinc die black plastic-coated, screws m.s. black

A	B	
100	106	1095-U33-100AA
200	206	1095-U33-200AA
300	306	1095-U33-300AA
400	406	1095-U33-400AA
500	506	1095-U33-500AA

\* Fixing material is not included in scope of delivery.

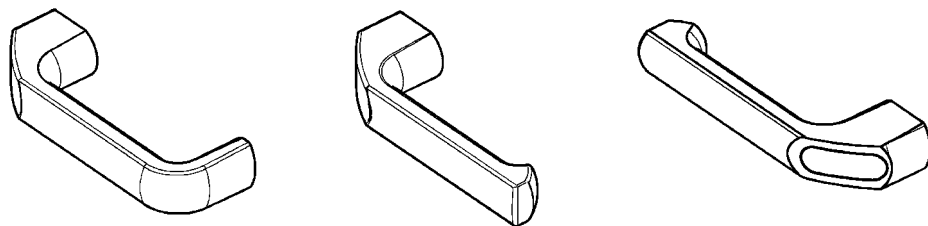
**6A-420** 03/18

(6A-156)

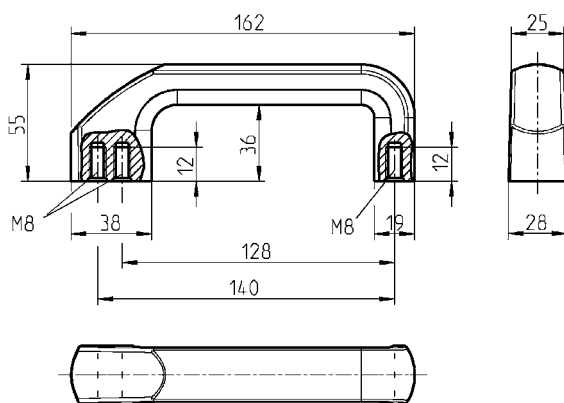


# Handle

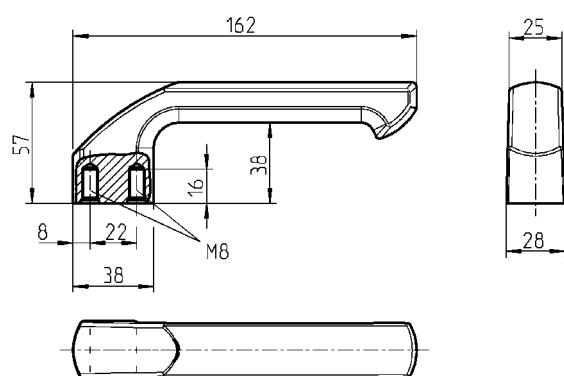
## PROGRAM 1095



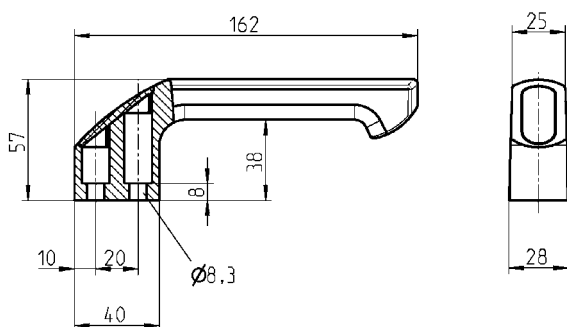
Version 1



Version 2



Version 3



Version 1



Version 2



Version 3

Handle aluminium black plastic-coated

Version 1

1095-31-200AA

Version 2

1095-32-200AA

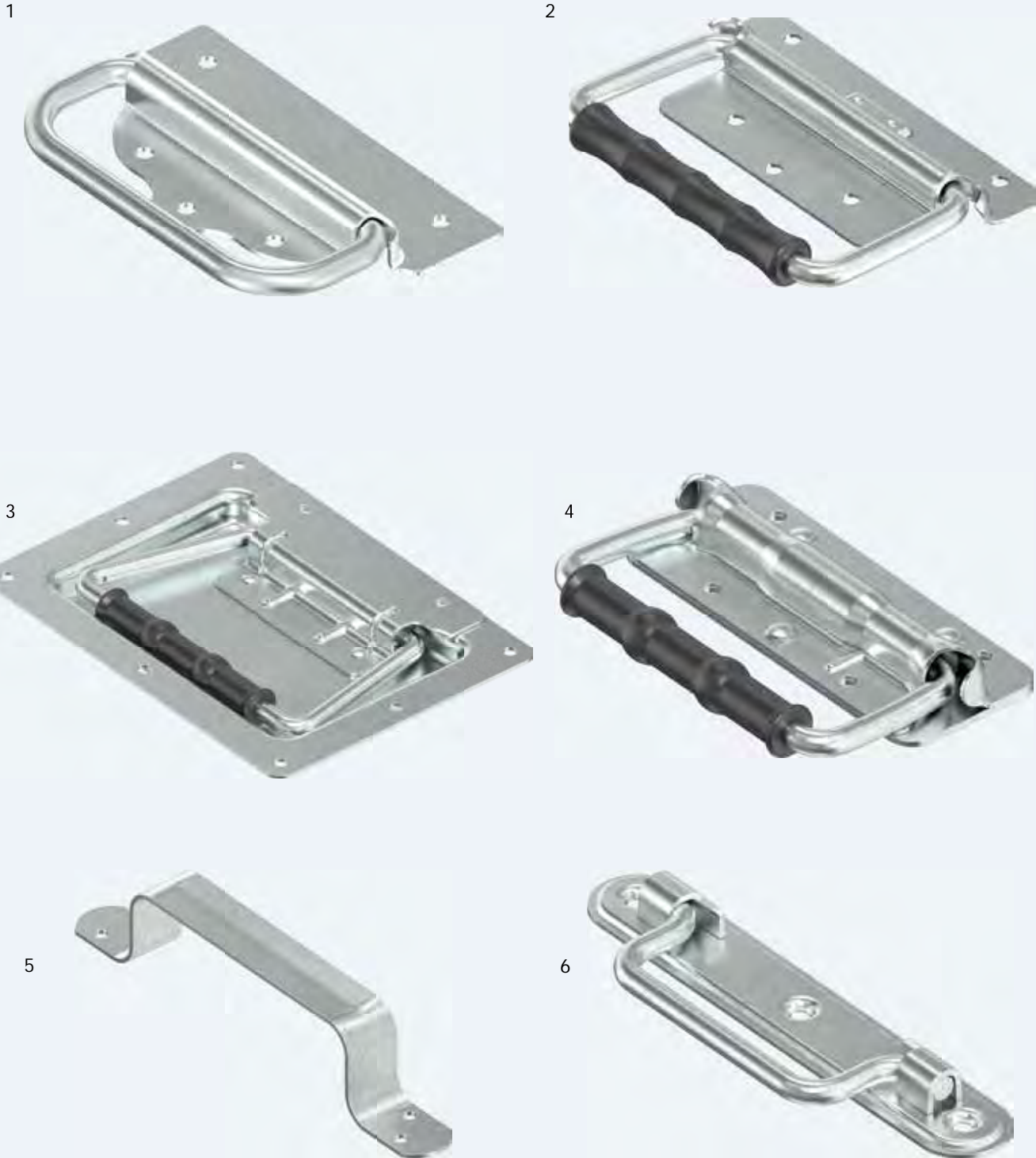
Version 3 with covering cap plastic black

1095-U37-AA

Fixing material is not included in scope of delivery.



# Handles Program 6040

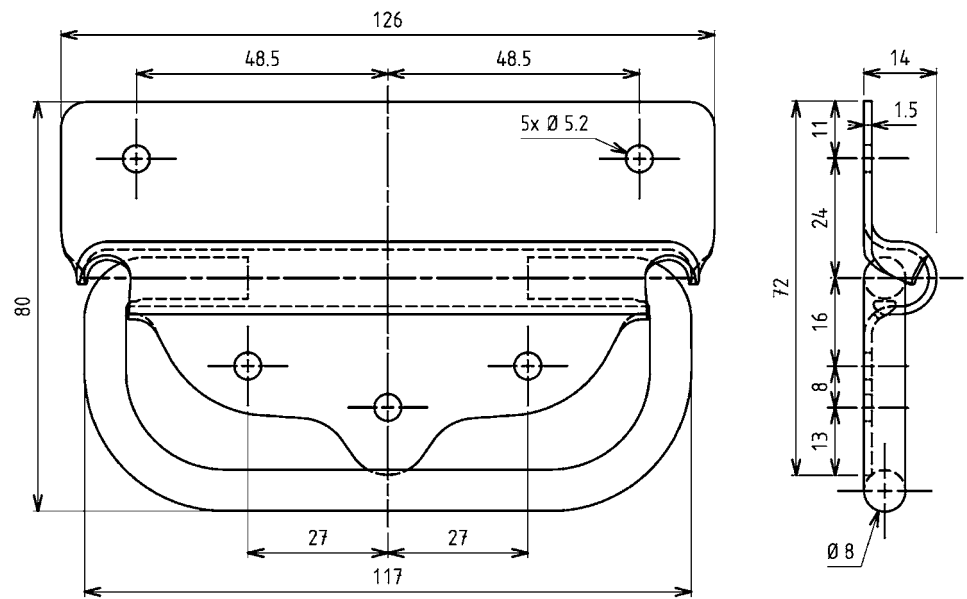


- |   |  |        |
|---|--|--------|
| 1 | Chest handle   | 6B-120 |
| 2 | Chest handle with leaf spring                        | 6B-140 |
| 3 | Chest handle with recessed piano wire torsion spring | 6B-160 |
| 4 | Chest handle with piano wire torsion spring          | 6B-180 |
| 5 | Bow-type handle                                      | 6B-220 |
| 6 | Chest handle   | 6B-240 |

Surface protection for steel parts:  
zinc-plated, thick-film passivated (DS)  
and Top Coat sealed.

## 6B-100

**AISI INOX**



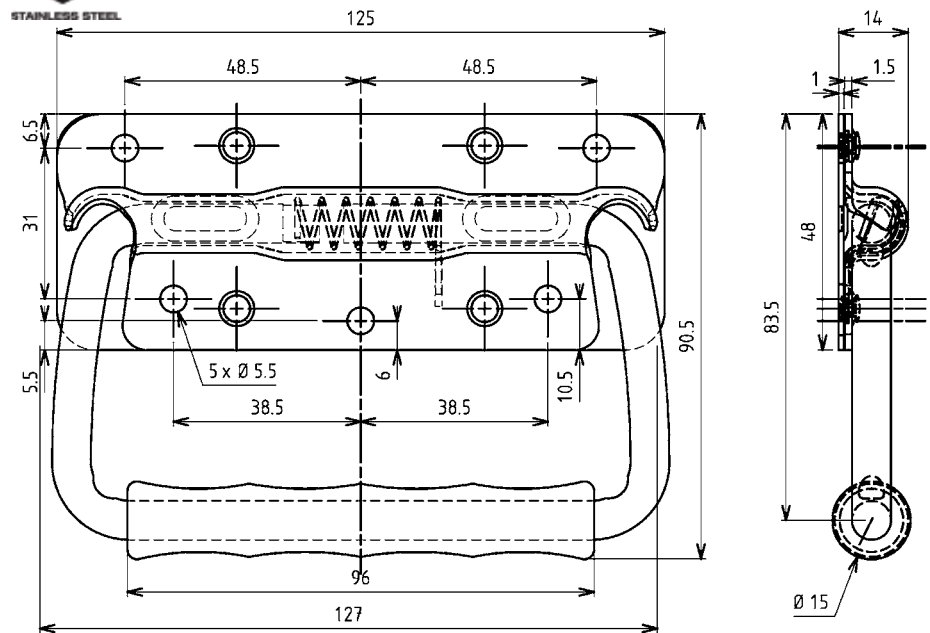
### Chest handle

Further parts see page  
– Counterplate 6B-320

	without piano wire torsion spring
m.s. raw, perforated	6040-U12-KA
m.s. raw, unperforated	6040-U12-01KA
m.s. zinc-plated DS plus Top Coat, perforated	6040-U12-JQ



Depicted with piano wire torsion spring and counterplate



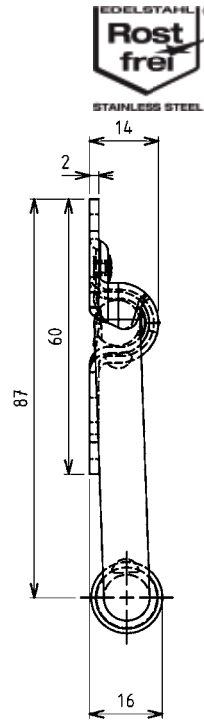
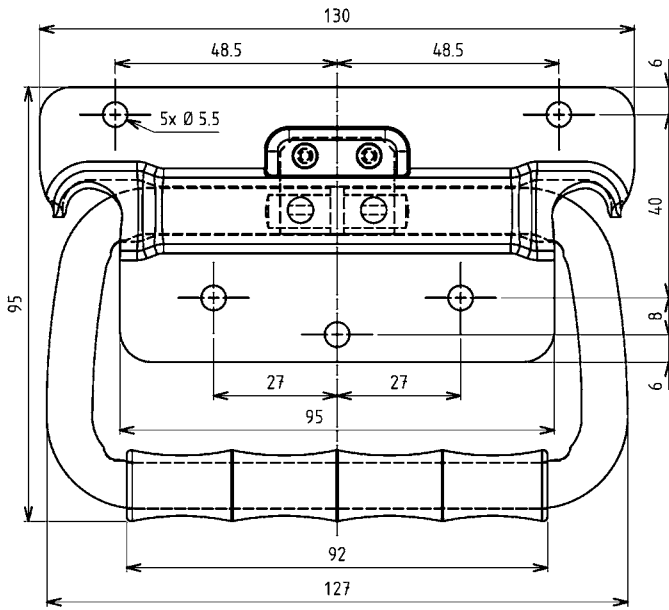
### Chest handle

Further parts see page  
– Counterplate 6B-320

	without piano wire torsion spring and counterplate	with piano wire torsion spring
m.s. zinc-plated DS plus Top Coat, perforated	6040-U14-JQ	6040-U13-JQ
AISI 304, perforated	6040-U14-PC	6040-U13-PC

# Handles

## PROGRAM 6040



**AISI INOX**



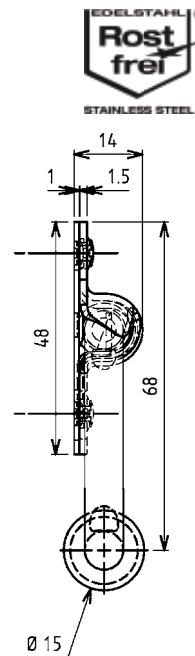
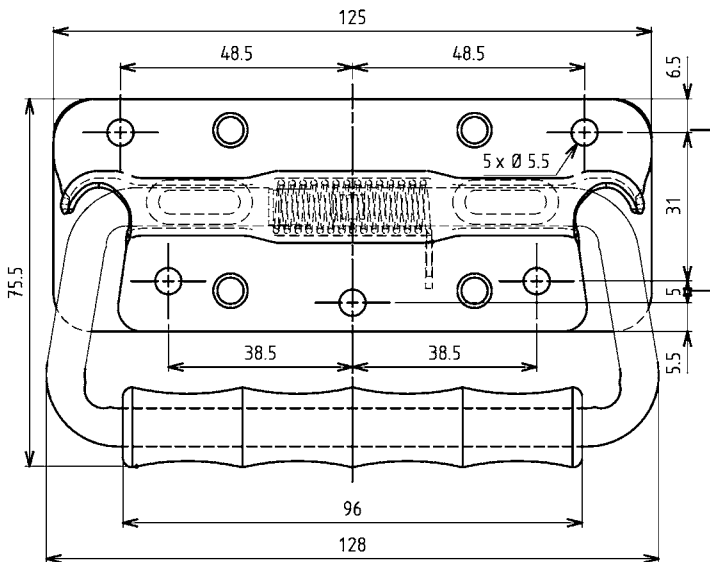
### Chest handle

	without leaf spring	with leaf spring
m.s. zinc-plated DS plus Top Coat, perforated	6040-U24-JQ	6040-U23-JQ
AISI 304, perforated	6040-U24-PC	6040-U23-PC

Further parts see page – Counterplate

6B-320

Depicted with piano wire torsion spring and counterplate



### Chest handle

	without piano wire torsion spring and counterplate	with piano wire torsion spring
m.s. zinc-plated DS plus Top Coat, perforated	6040-U34-JQ	6040-U33-JQ
AISI 304, perforated	6040-U34-PC	6040-U33-PC

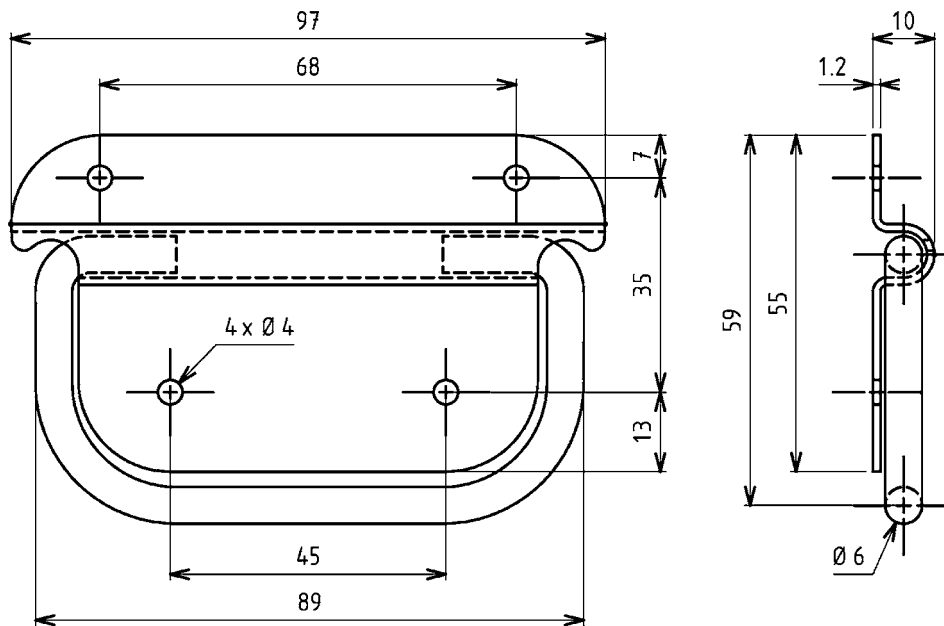
Further parts see page – Counterplate

6B-320

- 1 Quarter turns
- 2 Rod controls
- 3 Locking systems
- 4 Hinges
- 5 Seals
- 6 Handles
- 7 Aluminium windows
- 8 Miscellaneous
- 9 Special catalogues
- Index



**AISI INOX**



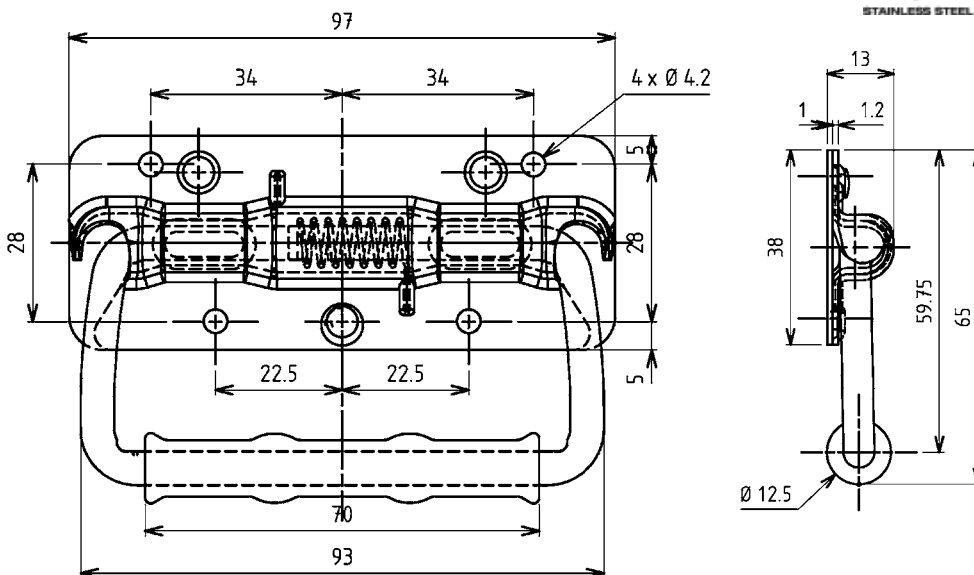
### Chest handle

m.s. zinc-plated DS plus Top Coat, perforated

without piano wire torsion spring

6040-U46-JQ

Depicted with piano wire torsion spring and counterplate



### Chest handle

m.s. zinc-plated DS plus Top Coat, perforated

AISI 304, perforated

without piano wire torsion spring and counterplate

6040-U54-JQ

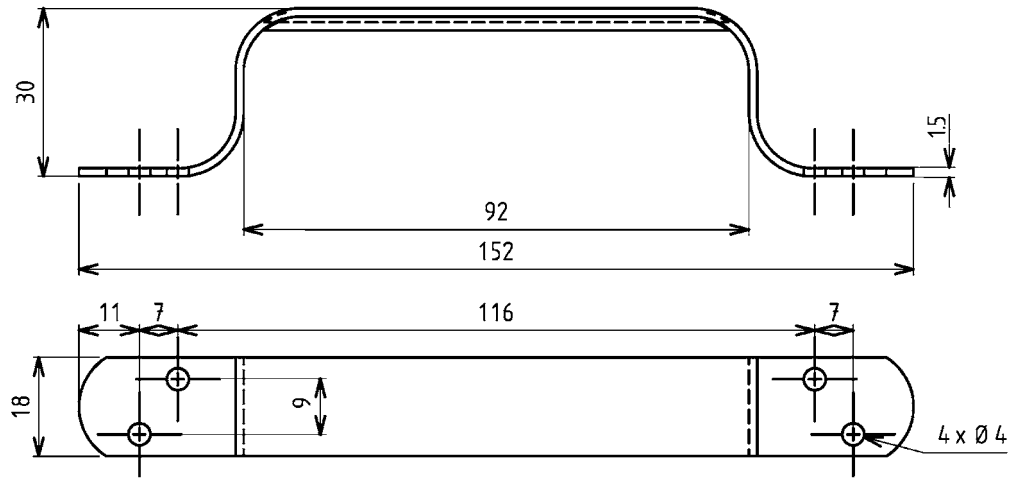
6040-U54-PC

with piano wire torsion spring

6040-U53-JQ

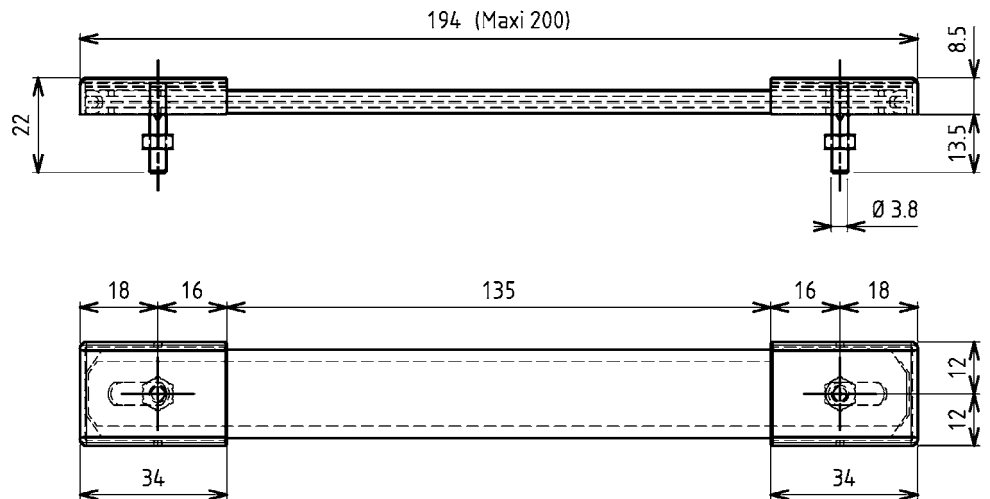
6040-U53-PC

**AISI INOX**



### Bow-type handle

m.s. raw, perforated	6040-15-KA
m.s. raw, unperforated	6040-15-01KA
m.s. zinc-plated DS plus Top Coat, perforated	6040-15-JQ
AISI 304, perforated	6040-15-PC



### Case-handle

m.s. nickel-plated, perforated	6040-U19-LA
--------------------------------	-------------

**6B-220**

(9B-160)

© EMKA Beschlagteile GmbH & Co. KG • 2021 • www.emka.com

Items printed in gray without stock

Info

1 Quarter turns

2 Rod controls

3 Locking systems

4 Hinges

5 Seals

6 Handles

7 Aluminium windows

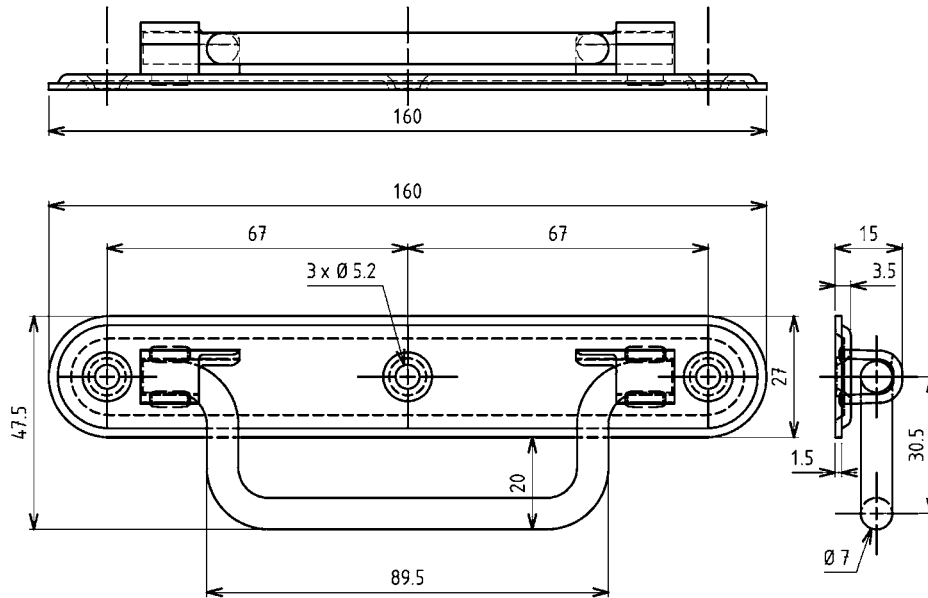
8 Miscellaneous

9 Special catalogues

Index



# Handle, Slings ring PROGRAM 6040



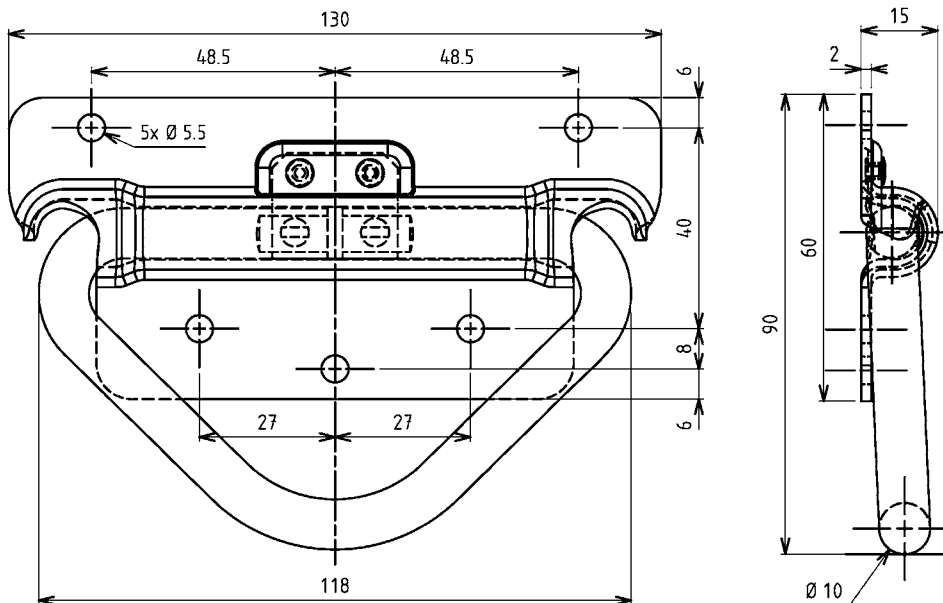
## Chest handle

m.s. zinc-plated DS plus Top Coat, perforated

without piano wire  
torsion spring  
6040-U94-JQ

Further parts see page  
– Counterplate

6B-320



## Slings ring

m.s. zinc-plated DS plus Top Coat, perforated

AISI 304, perforated

with  
leaf spring  
6040-U80-JQ  
6040-U80-PC

Further parts see page  
– Counterplate

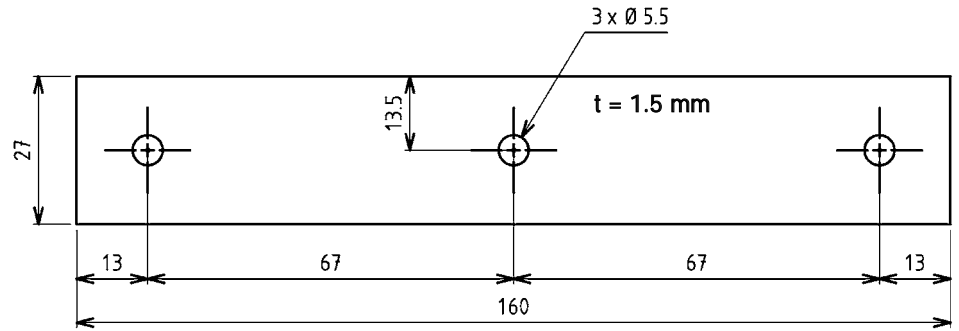
6B-320

Info  
1 Quarter turns  
2 Rod controls  
3 Locking systems  
4 Hinges  
5 Seals  
6 Handles  
7 Aluminium windows  
8 Miscellaneous  
9 Special catalogues  
Index

**AISI INOX**



Further parts see page  
– Chest handle 6B-240



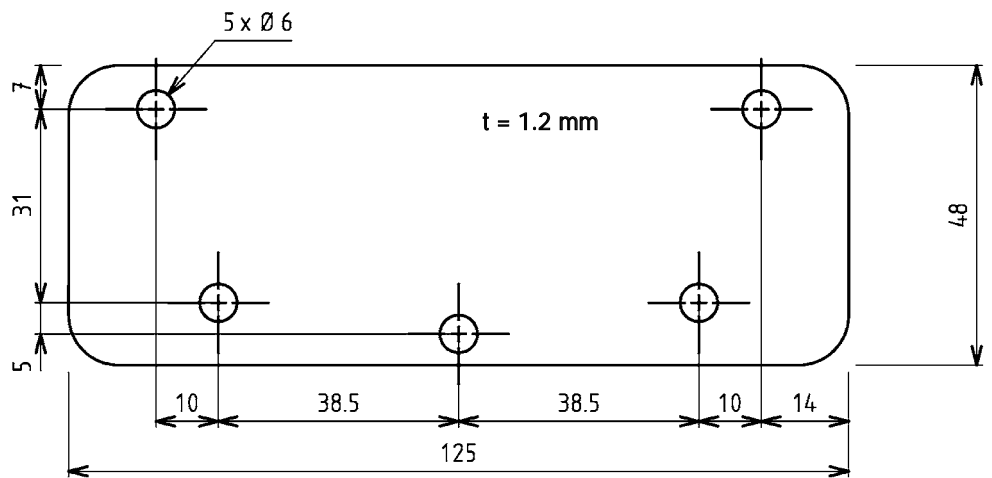
### Counterplate for handle

m.s. zinc-plated DS plus Top Coat

6042-278-JQ



Further parts see page  
– Chest handle 6B-120  
to 6B-160



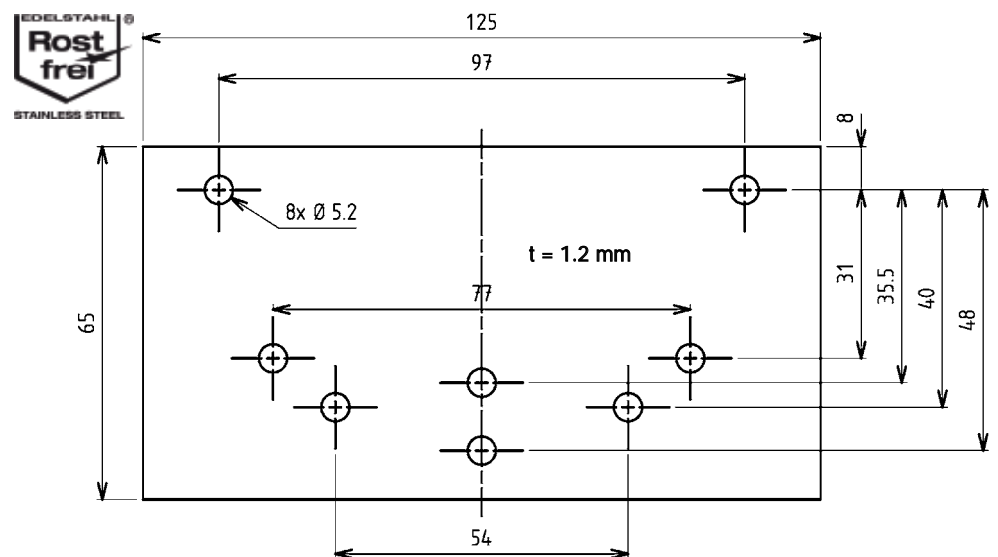
### Counterplate for handle

m.s. zinc-plated DS plus Top Coat

6042-63-JQ



Further parts see page  
– Chest handle 6B-120  
6B-140  
6B-240



### Counterplate for handle

m.s. zinc-plated DS plus Top Coat

6042-69-JQ

AISI 304

6042-69-PC

**6B-320** 09/17

(6B-340)

# Aluminium windows Program 1200



- |   |                                    |        |
|---|------------------------------------|--------|
| 1 | Aluminium windows without frame    | 7A-120 |
| 2 | Aluminium windows with 30 mm frame | 7A-120 |
| 3 | Aluminium windows with 61 mm frame | 7A-120 |

On request, assembly is carried out with gas springs

## 7A-100

Info

1 Quarter turns

2 Rod controls

3 Locking systems

4 Hinges

5 Seals

6 Handles

7 Aluminium windows

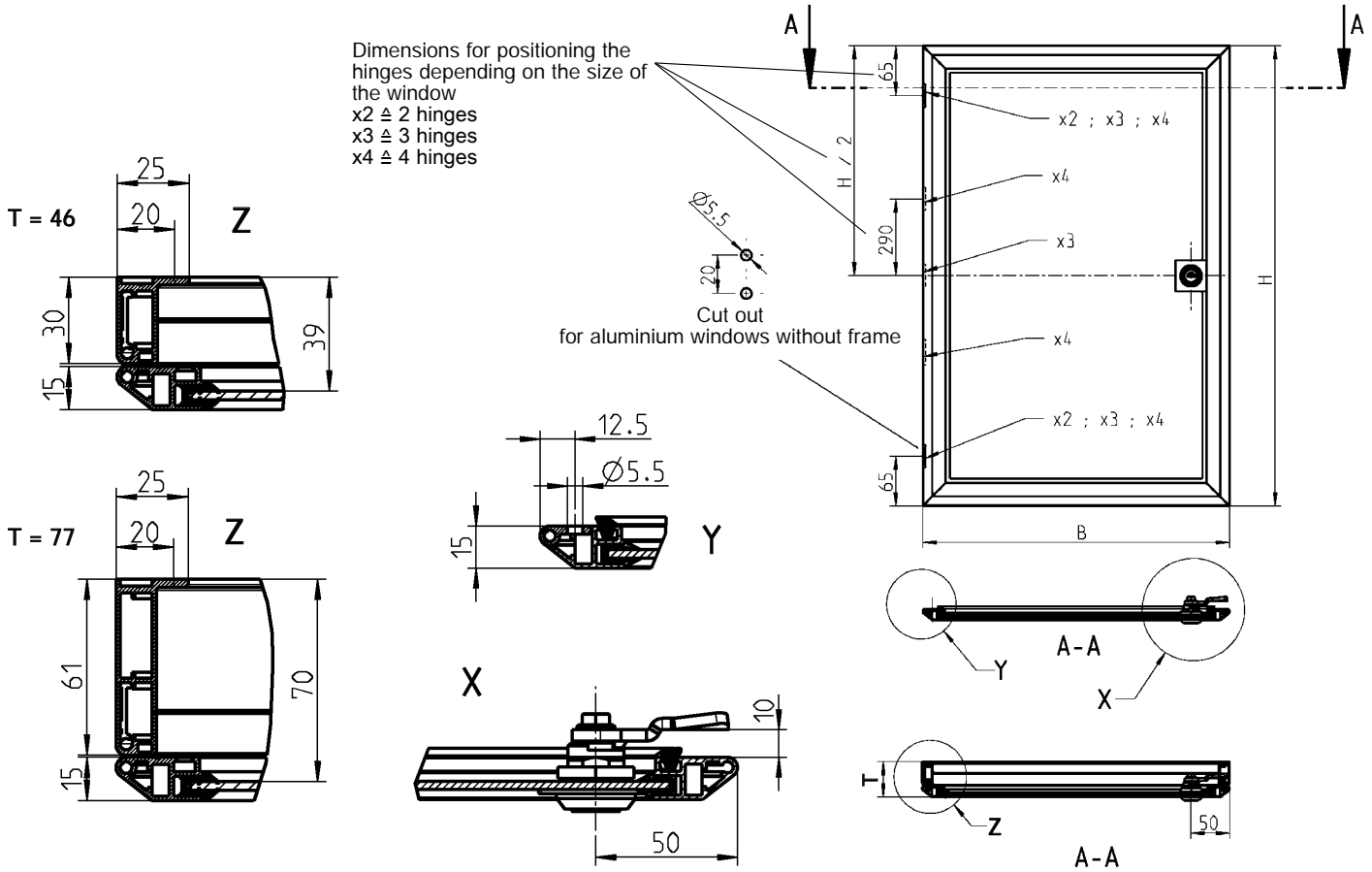
8 Miscellaneous

9 Special catalogues

Index

# Aluminium windows

## PROGRAM 1200



### Aluminium windows with 30 mm frame

**Version 0**

Aluminium window with wing knob quarter turn on the side

Acrylic 3 mm

T = 46

**Version 1**

Aluminium window with wing knob quarter turn front

Polycarbonate 3 mm

T = 46

**Version 2**

Aluminium window with cylinder quarter turn front

Polycarbonate 3 mm

T = 46

### Aluminium windows with 61 mm frame

**Version 3**

Aluminium window with wing knob quarter turn on the side

Acrylic 3 mm

T = 77

**Version 4**

Aluminium window with wing knob quarter turn front

Polycarbonate 3 mm

T = 77

**Version 5**

Aluminium window with cylinder quarter turn front

Polycarbonate 3 mm

T = 77

### Aluminium windows without frame



Version **6**

Aluminium window with wing knob quarter turn front



Version **7**

Aluminium window with cylinder quarter turn front

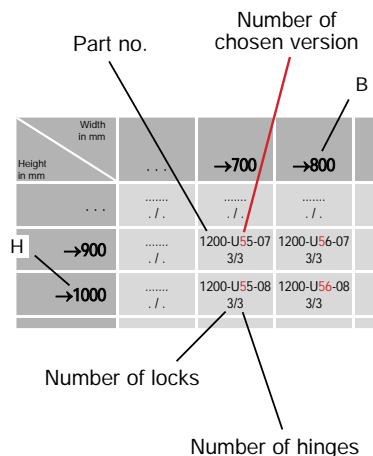
### Aluminium window anodised; pane with seal

Lock of the types 0, 1, 3, 4, 6:

Wing knob quarter turn zinc die black powder-coated; round cylinder with stainless steel cap; keyed 2233X; one key per round cylinder of nickel-silver with grip polyamide black

Lock of the types 2, 5, 7:

Cylinder quarter turn zinc die black powder-coated; round cylinder with stainless steel cap and dust slider; keyed EK333; one key per round cylinder of nickel-silver with grip polyamide black



**Opening angle:**  
without frame ..... 140°  
with frame ..... 175°

### Order example:

You need an aluminium window of version 5 with the dimensions B = 620 mm, H = 840 mm. Please order: 1200-U55-07 620x840

### Note:

The framed items are also available with safety glass or with aluminium composite panel.

### Note:

For versions 0, 1, 3, 4 and 6, only one lock is lockable for larger aluminium windows with several locks.

### Note:

For versions 2, 5 and 7, all locks are lockable for larger aluminium windows.

Keyed different on request.

For versions 0, 1, 3, 4 and 5, mounting with gas spring is possible.

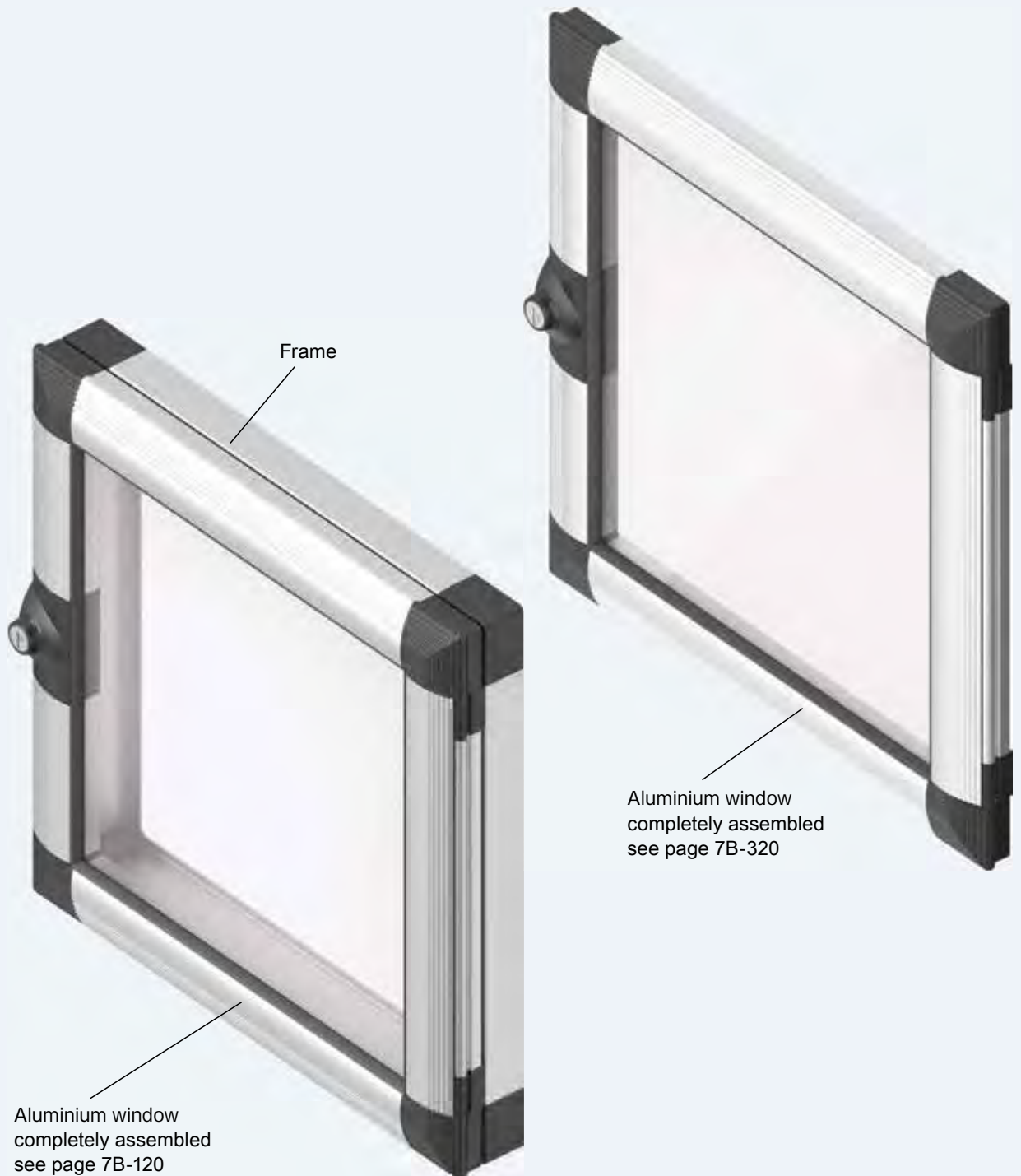
For versions 0, 1, 3, 4 and 5, frame with 114 mm is also available.

Height in mm	Width in mm	Complete the "?" with the "number" of the version of your choice							
		300←	→400	→500	→600	→700	→800	→900	→1000
300←		1200-U?1-01 1/2	1200-U?2-01 1/2	1200-U?3-01 1/2	1200-U?4-01 1/2	1200-U?5-01 1/2			
→400		1200-U?1-02 1/2	1200-U?2-02 1/2	1200-U?3-02 1/2	1200-U?4-02 1/2	1200-U?5-02 1/2			
→500		1200-U?1-03 1/2	1200-U?2-03 1/2	1200-U?3-03 1/2	1200-U?4-03 1/2	1200-U?5-03 1/2			
→600		1200-U?1-04 1/2	1200-U?2-04 1/2	1200-U?3-04 1/2	1200-U?4-04 1/2	1200-U?5-04 2/2			
→700		1200-U?1-05 1/2	1200-U?2-05 1/2	1200-U?3-05 2/2	1200-U?4-05 2/2	1200-U?5-05 2/2	1200-U?6-05 2/2		
→800		1200-U?1-06 1/2	1200-U?2-06 1/2	1200-U?3-06 2/2	1200-U?4-06 2/2	1200-U?5-06 2/2	1200-U?6-06 2/2		
→900		1200-U?1-07 2/3	1200-U?2-07 2/3	1200-U?3-07 2/3	1200-U?4-07 2/3	1200-U?5-07 2/3	1200-U?6-07 3/3	1200-U?7-07 3/3	
→1000		1200-U?1-08 2/3	1200-U?2-08 2/3	1200-U?3-08 2/3	1200-U?4-08 2/3	1200-U?5-08 3/3	1200-U?6-08 3/3	1200-U?7-08 3/3	1200-U?8-08 3/3
→1100			1200-U?2-09 2/3	1200-U?3-09 2/3	1200-U?4-09 2/3	1200-U?5-09 3/3	1200-U?6-09 3/3	1200-U?7-09 3/3	1200-U?8-09 3/3
→1200			1200-U?2-10 2/3	1200-U?3-10 2/3	1200-U?4-10 2/3	1200-U?5-10 3/3	1200-U?6-10 3/3	1200-U?7-10 3/3	1200-U?8-10 3/3
→1300				1200-U?3-11 3/3	1200-U?4-11 3/3	1200-U?5-11 3/3	1200-U?6-11 3/3	1200-U?7-11 3/3	1200-U?8-11 3/3
→1400				1200-U?3-12 3/3	1200-U?4-12 3/3	1200-U?5-12 3/3	1200-U?6-12 3/3	1200-U?7-12 3/3	1200-U?8-12 3/3
→1500				1200-U?3-13 3/3	1200-U?4-13 3/3	1200-U?5-13 3/3	1200-U?6-13 3/3	1200-U?7-13 3/3	1200-U?8-13 3/3
→1600				1200-U?3-14 3/3	1200-U?4-14 3/3	1200-U?5-14 3/3	1200-U?6-14 3/3	1200-U?7-14 3/3	1200-U?8-14 3/3
→1700					1200-U?4-15 3/4	1200-U?5-15 3/4	1200-U?6-15 3/4	1200-U?7-15 3/4	1200-U?8-15 3/4
→1800					1200-U?4-16 3/4	1200-U?5-16 3/4	1200-U?6-16 3/4	1200-U?7-16 3/4	1200-U?8-16 3/4
→1900						1200-U?5-17 3/4	1200-U?6-17 3/4	1200-U?7-17 3/4	1200-U?8-17 3/4
→2000						1200-U?5-18 3/4	1200-U?6-18 3/4	1200-U?7-18 3/4	1200-U?8-18 3/4

# EMKA PROflex

## Aluminium window - with or without a frame

### Program 1210



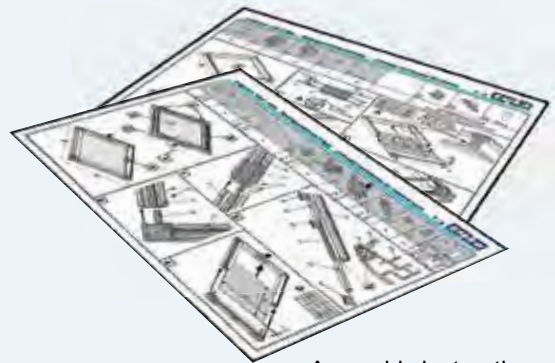
# Aluminium window as a kit



Window  
unassembled as a kit  
see pages 7B-120, 7B-320



Window frame  
unassembled as a kit  
see page 7B-120



Assembly instruction



Available fully assembled  
or as a kit



Opening angle 180°

**Attention:**  
Please specify locking set separately!  
(see page 7B-220)

**Note:**

For mounting threaded channel M5 on the back of the frame.  
Alternative mounting option from the front.  
(see page 7B-420)

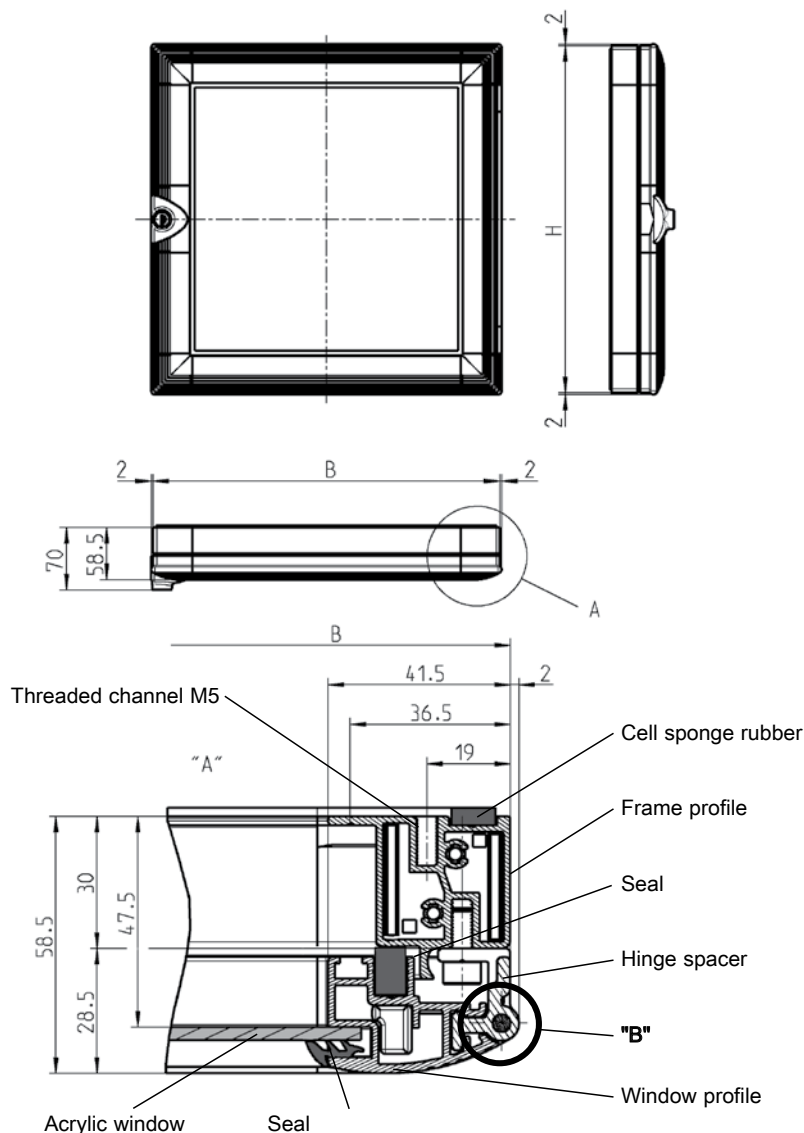
Polycarbonate glass or safety glass on request.

Window sizes for applications with safety glass please see table on page 7B-520.

External dimensions of the aluminium window:  
Height from 320 to 2000 mm  
Width from 300 to 1000 mm  
**Height = Closure or hinge side**

Rear panel 3.5 to 4 mm possible!

Mounting by simple plugging in. Rear panel size H minus 62 mm and W minus 62 mm.



**Order example:**

You need a aluminium window with the dimensions H = 750 mm and W = 520 mm.  
**Attention:** Please note that at the handle edge 2 mm protrusion per side must be considered (see detail "B")!

**Please order:**

**Version 1:** Aluminium window assembled  
1210-U (Height) - (Width) = 1210-U 750-520

**Version 2:** Aluminium window unassembled as a kit  
1210-X (Height) - (Width) = 1210-X 750-520

Aluminium window anodized aluminium, corners and hinges zind die black powder-coated, caps polyamide black, shaft stainless steel, screws m.s. zinc-plated, acrylic glass 3 mm, with seal and lock (specify locking type separately)

Aluminium window assembled, with acrylic glass	1210-U ..... - ..... (see order example)
Aluminium window unassembled as a kit, without acrylic glass, ready made with assembly instruction (Calculation of the 3 mm acrylic glass: H minus 65 mm or W minus 65 mm)	1210-X ..... - ..... (see order example)

Further parts see page  
– Lock 7B-220

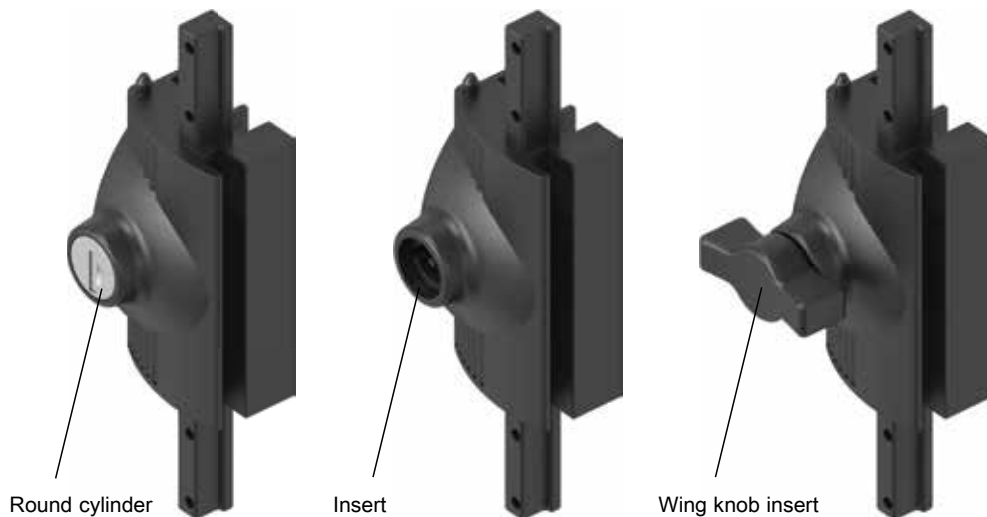
Dimensions for mounting  
see page 7B-420

Further ordering details  
see page 7B-520



# Aluminium window: Lock 1215

PROGRAM 1210 EMKA PROflex



Round cylinder

Insert

Wing knob insert

**Conversion notice:**

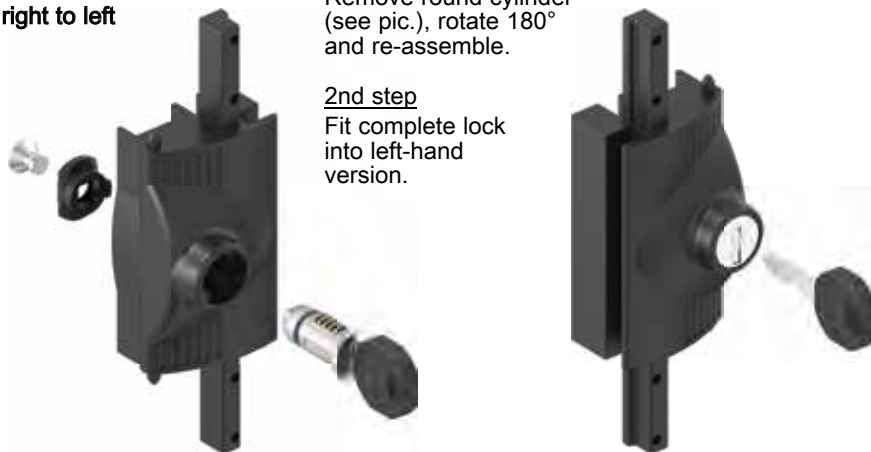
from right to left

1st step

Remove round cylinder (see pic.), rotate 180° and re-assemble.

2nd step

Fit complete lock into left-hand version.



Right-hand version

Left-hand version

**Ordering note:**

Please only order ONE kind of lock:  
The number of locks (1-3) depends on the size of the window!



The locks are designed for a right-hinged aluminium window!

Left-hinged version of lock with round cylinder see conversion note!

Lock for aluminium window zinc die black powder-coated, round cylinder with stainless steel cap and dust cap or insert zinc die black powder-coated, cam zinc die raw, catch zinc die black powder-coated, screws m.s. zinc-plated. Each round cylinder has one silver steel key with grip polyamide GF black

keyed EK 333	1215-U1
keyed different	1215-U1-V
<b>Inserts</b>	
Square 6	1215-U2-U322
Square 7	1215-U2-U323
Square 8	1215-U2-U324
Triangular 7	1215-U2-U325
Triangular 8	1215-U2-U326
Double bit 3	1215-U2-U327
Double bit 5	1215-U2-U328
Slot 2 x 4	1215-U2-U329
Slot 2 x 4 coinproof	1215-U2-U739
Wing knob insert	1215-U2-U78

**Note:**  
Please order aluminium window separately!

**Further parts see page**  
– Aluminium windows 7B-120  
– Aluminium window without frame 7B-320  
**Further ordering details see page** 7B-520

Info  
1 Quarter turns  
2 Rod controls  
3 Locking systems  
4 Hinges  
5 Seals  
6 Handles  
7 Aluminium windows  
8 Miscellaneous  
9 Special catalogues  
Index



Available fully assembled  
or as a kit



Opening angle 180°

**Attention:**  
Please specify locking set separately!  
(see page 7B-220)

**Note:**

For mounting options,  
see page 7B-420.

Polycarbonate glass or safety  
glass on request.

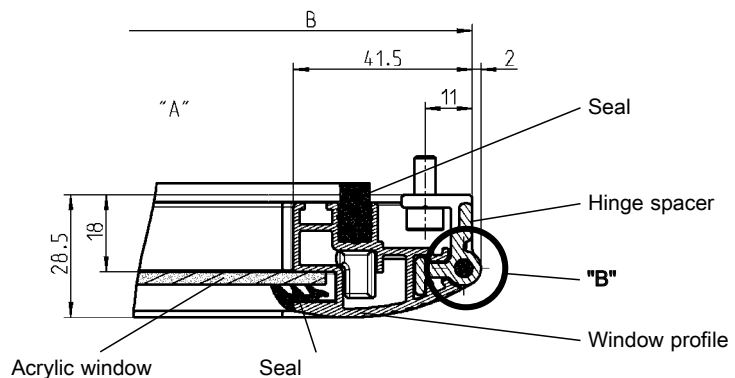
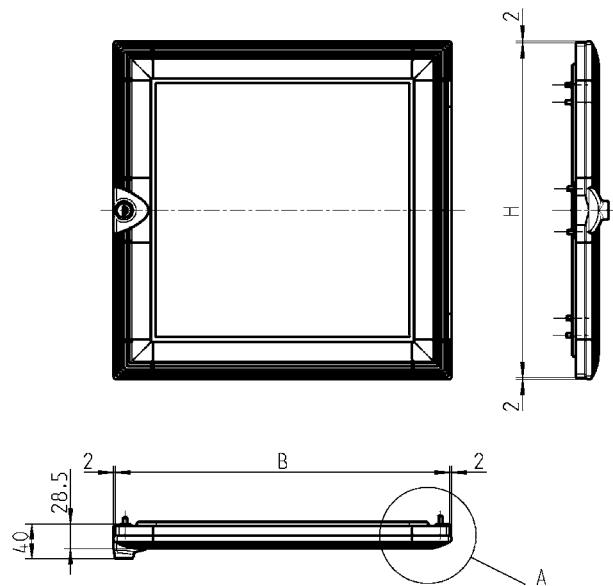
Window sizes for applications  
with safety glass please see table  
on page 7B-520.

External dimensions of the  
window:

Height from 320 to 2000 mm  
Width from 300 to 1000 mm

**Height = Closure or hinge side**

A frame as shown on page  
7B-120 can be retrofitted at any  
time!



**Order example:**

You need a window with dimensions H = 750 mm and W = 520 mm.  
**Attention: Please note that 2 mm protrusion per side must be taken into account at the handle edge (see detail "B")!**

**Please order:**

**Version 1:** Window without frame completely assembled  
1220-U (Height) - (Width) = 1220-U 750-520

**Version 2:** Window unassembled as a kit  
1220-X (Height) - (Width) = 1220-X 750-520

Aluminium window without frame aluminium anodized,  
corners and hinges zind die black powder-coated,  
shaft stainless steel, screws m.s. zinc-plated, acrylic glass 3 mm,  
with seal and lock (specify locking type separately)

Aluminium window assembled, incl. acrylic glass

1220-U ..... - .....  
(see order example)

Aluminium window as a kit without acrylic glass,  
ready made with assembly instruction  
(Calculation of the 3 mm acrylic glass:  
H minus 65 mm or W minus 65 mm).

1220-X ..... - .....  
(see order example)

**Further parts see page**  
– Lock 7B-220

**Dimensions for mounting**  
see page 7B-420

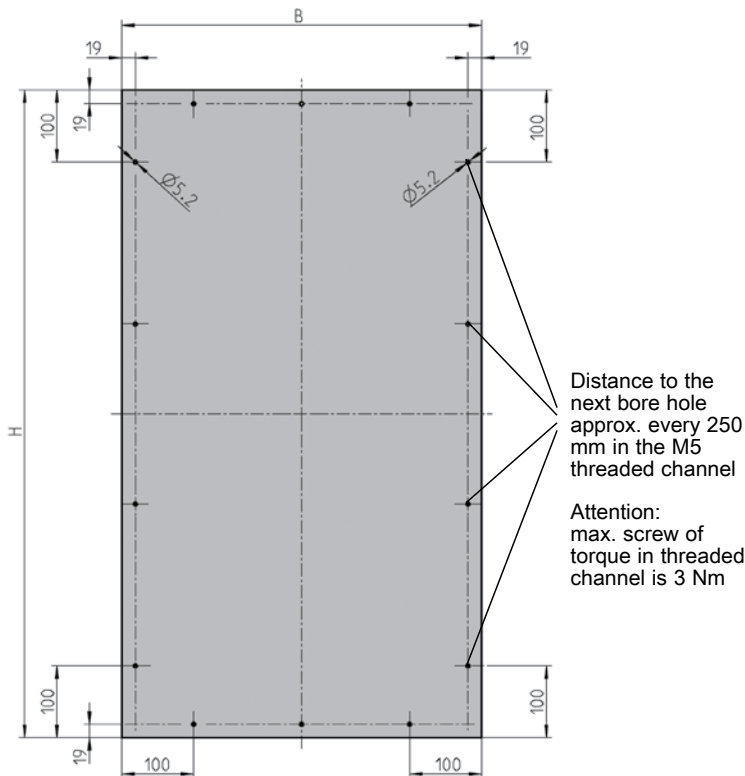
**Further ordering details**  
see page 7B-520

# Fixing details for window 1210 and 1220

## PROGRAM 1210 EMKA PROFlex

Fixing recommendation for window 1210: Mounting from rear

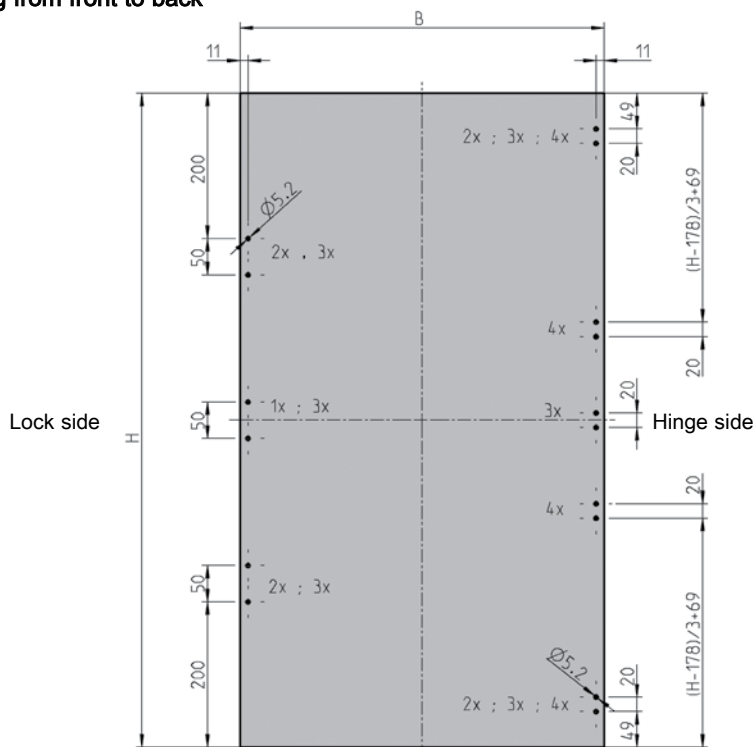
More fixing points depending on size of window and according to client requests.



Fixing points window rear side

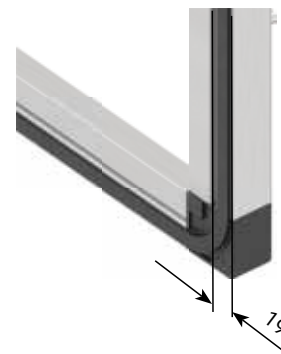
### Fixing details for window 1220:

Mounting from front to back



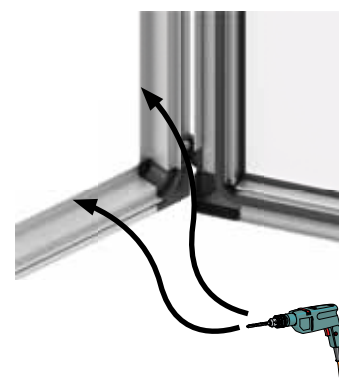
Fixing points window rear side

Mounting from rear



See fixing specification

Mounting from front



Fixing according to customer's choice

#### Note:

Fixing point specifications 2x, 3x, 4x refer to the number of hinges and locks.

#### Further parts see page

- Aluminium windows 7B-120
- Aluminium window without frame 7B-320

- Info
- 1 Quarter turns
- 2 Rod controls
- 3 Locking systems
- 4 Hinges
- 5 Seals
- 6 Handles
- 7 Aluminium windows
- 8 Miscellaneous
- 9 Special catalogues
- Index



**Order example:**

You need a fully assembled window with the dimensions H = 750 mm and W = 520 mm as well as the lock type "insert double bit 3 mm".

**Please order:**

One aluminium window 1210-U (height) - (width) = 1210-U 750-520 + 1215-U2-U327

**Number of locks and hinges:**

The number is determined by the selected dimensions. To determine the number please round the dimensions up to the nearest hundred mm value. The table shown indicates the corresponding quantities.

The same system is used in the price list.

**Explanations for the specification of locks and hinges**

**Example aluminium window:**

Part number 1210-U 750-520 => 800-600 => 1 lock and 2 hinges

**Example aluminium window without frame:**

Part number 1220-U 750-520 => 800-600 => 1 lock and 2 hinges

**Note:**

**Aluminium window 1210**

On request, assembly is carried out with gas springs.

The framed articles are available with safety glass.

Height in mm \ Width in mm	300 →400	→500	→600	→700	...
320 →400	1/2	1/2	1/2	1/2	...
→500	1/2	1/2	1/2	1/2	...
→600	1/2	1/2	1/2	1/2	...
→700	1/2	1/2	1/2	1/2	...
→800	1/2	1/2	1/2	1/2	...
...	...	...	...	...	...

Number of locks

Number of hinges

Height in mm \ Width in mm	300 →400	→500	→600	→700	→800	→900	→1000
320 →400	1/2	1/2	1/2	1/2	req.	req.	req.
→500	1/2	1/2	1/2	1/2	req.	req.	req.
→600	1/2	1/2	1/2	1/2	req.	req.	req.
→700	1/2	1/2	1/2	1/2	1/2	req.	req.
→800	1/2	1/2	1/2	1/2	1/2	req.	req.
→900	2/3	2/3	2/3	2/3	2/3	2/3	req.
→1000	2/3	2/3	2/3	2/3	2/3	2/3	2/3
→1100	2/3	2/3	2/3	2/3	2/3	2/3	2/3
→1200	2/3	2/3	2/3	2/3	2/3	2/3	2/3
→1300	2/3	2/3	2/3	2/3	2/3	2/3	2/3
→1400	2/3	2/3	2/3	2/3	2/3	2/3	2/3
→1500	3/4	3/4	3/4	3/4	3/4	3/4	3/4
→1600	3/4	3/4	3/4	3/4	3/4	3/4	3/4
→1700	3/4	3/4	3/4	3/4	3/4	3/4	3/4
→1800	3/4	3/4	3/4	3/4	3/4	3/4	3/4
→1900	3/4	3/4	3/4	3/4	3/4	3/4	3/4
→2000	3/4	3/4	3/4	3/4	3/4	3/4	3/4

**Further parts see page**

- Aluminium windows 7B-120
- Lock 7B-220
- Aluminium window without frame 7B-320

req. = on request

# Complete door Program 1300



Info

1 Quarter turns

2 Rod controls

3 Locking systems

4 Hinges

5 Seals

6 Handles

7 Aluminium windows

8 Miscellaneous

9 Special catalogues

Index



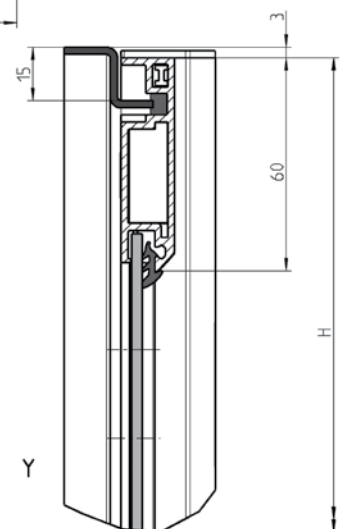
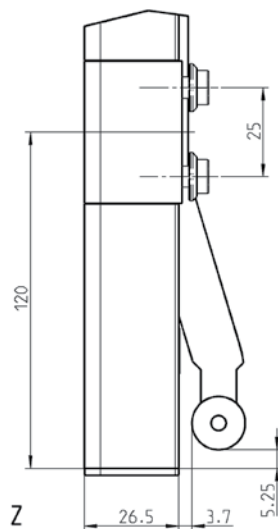
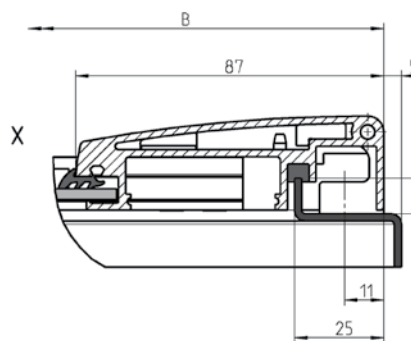
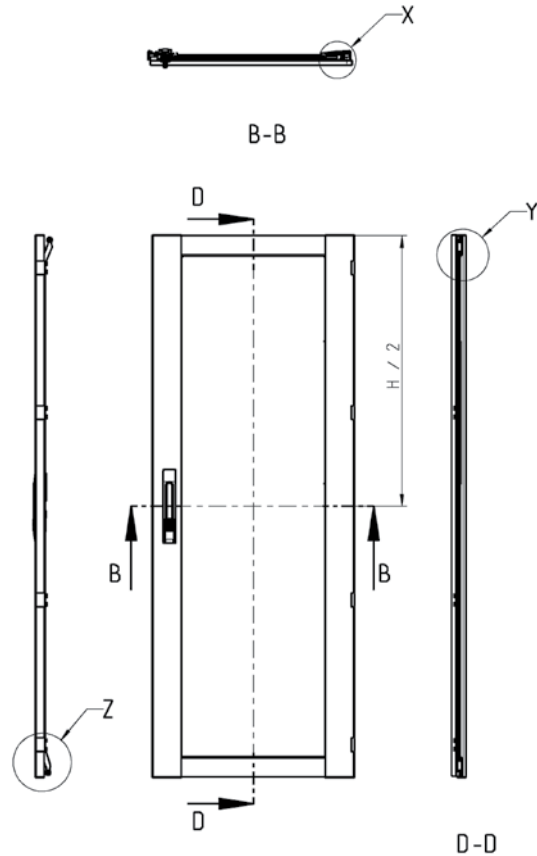
External dimensions of the complete door:  
Height from 400 to 2000  
Width from 400 to 1000

Opening angle 180°  
for single cabinets.

Opening angle < 120°  
for in-line cabinets.

**Further parts see page**  
– Locking set

3XA-120  
3XA-240



Complete door anodized aluminium, acrylic glass, swinghandle 1180 polyamide black, hinge and corner bracket zinc die black powder-coated, cam and rods m.s. zinc-plated, with seal

1300-U1-BxH

**7C-120**

(7B-120)

# Locks / Latches

Chest handle, Dead-bolt lock, Slam-lock, Snap lock, Bridge clamp, Heavy duty latch

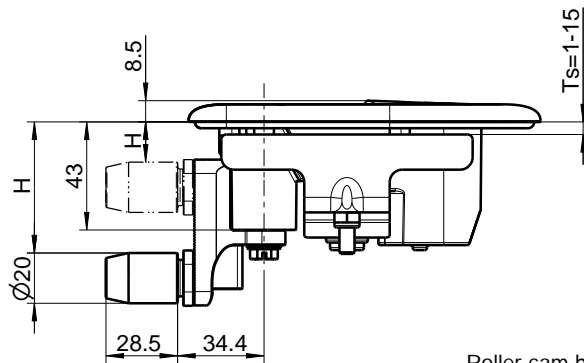


- |   |                  |                  |
|---|------------------|------------------|
| 1 | Chest handle     | 8A-110 to 8A-160 |
| 2 | Door lock        | 8A-220 to 8A-240 |
| 3 | Bridge clamp     | 8A-620           |
| 4 | Snap lock        | 8A-240, 8A-420   |
| 5 | Slam-lock        | 8A-320, 8A-340   |
| 6 | Side panel latch | 8A-440           |
| 7 | Slam-lock        | 8A-320           |
| 8 | Dead-bolt lock   | 8A-520           |
| 9 | Heavy duty latch | 8A-820 to 8A-860 |

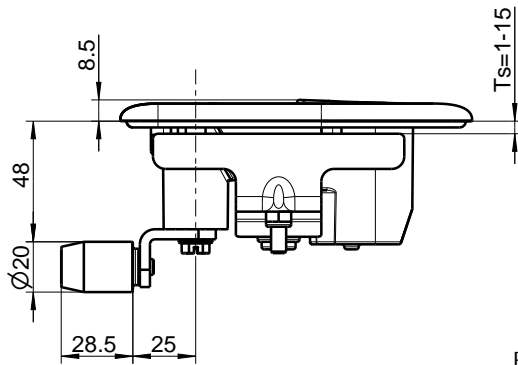
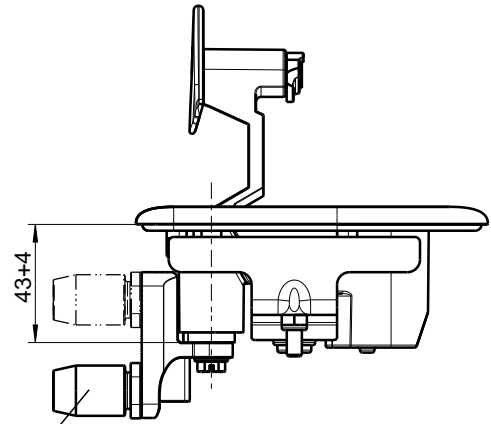
**8A-100**

# Chest handle

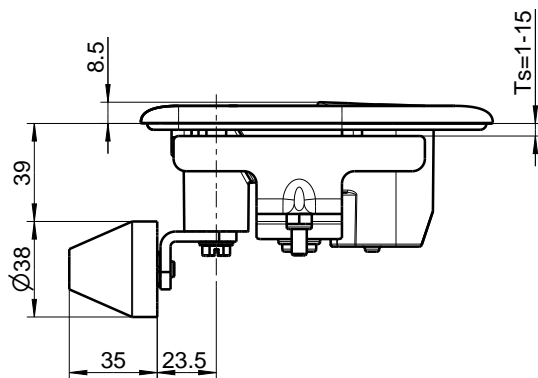
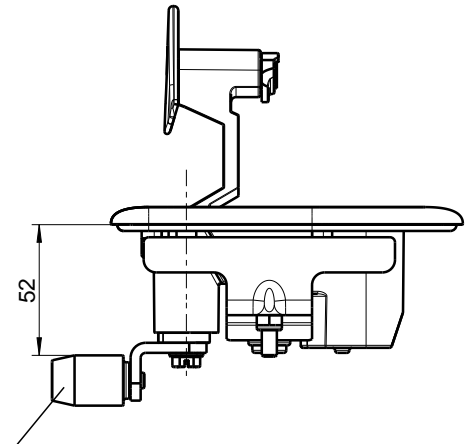
## PROGRAM 1130



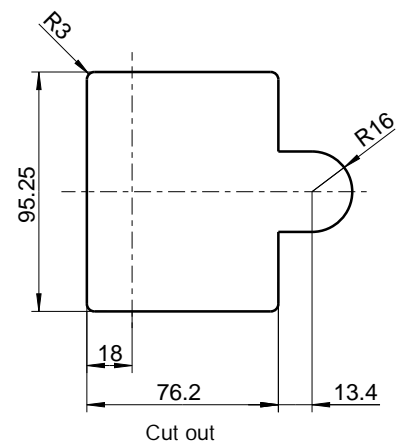
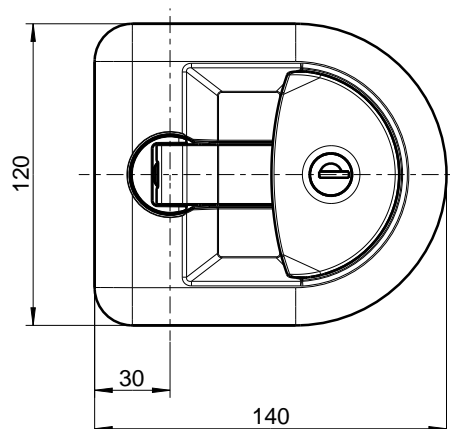
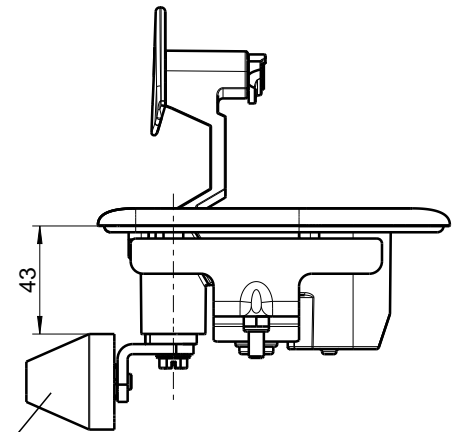
Roller cam height-adjustable



Roller cam small



Roller cam big



Cut out





1 Quarter turns

2 Rod controls

3 Locking systems

4 Hinges

5 Seals

6 Handles

7 Aluminium windows

8 Miscellaneous

9 Special catalogues

Index

Handle shell and sliding sleeve polyamide GF black; handle zinc die chrome-plated; hinge pin zinc die zinc-plated; hook polyamide 66 GF 50 black; round cylinder with stainless steel cap and dust protection; holding sheet, pin, screws and nuts m.s. zinc-plated, with spring. Each round cylinder has one silver steel key with grip polyamide GF black

keyed EK 333 1130-U15

keyed different on request

**Roller cam height-adjustable**  
Roller polyamide GF black, cam for roller and spacer zinc die zinc-plated, square nut and screw m.s. zinc-plated

H = 16 - 52 mm 1130-U16

**Further parts see page**  
– Roller cam small and large  
Special catalogue HVACR  
– Spare key 8B-140

Info

1 Quarter turns



2 Rod controls



3 Locking systems



4 Hinges



5 Seals

**Note:**  
The chest handles 1130-U1 and -U2 are made for right-hand version.

Left-hand version is created by removal of the round cylinder, rotating it by 180° and refitting it.

6 Handles

7 Aluminium windows

8 Miscellaneous

**Function:**  
The spring-loaded locking hook is equipped with a 'door-slam' feature. With this, the door can also be closed when locked.

9 Special catalogues

Further parts see page  
– Spare key 8B-140

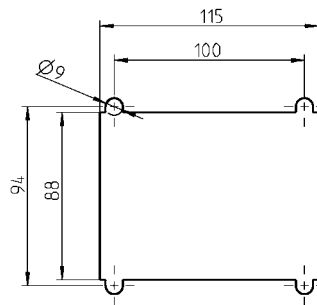
Index

**8A-120** 01/15  
(12A-120; 6A-265)

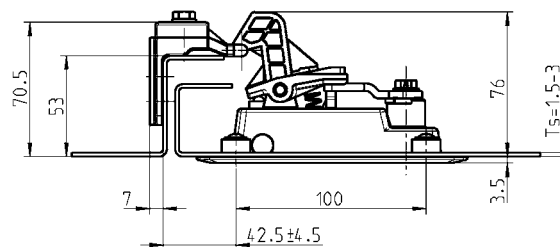
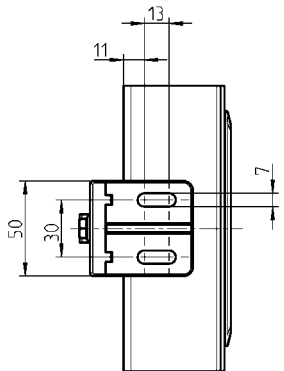
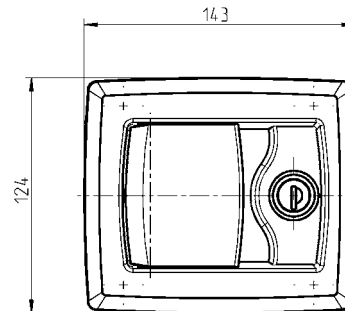


Locking bracket 9 mm adjustable

The minimum door width is 500 mm



Cut out



Chest handle polyamide GF black, rocker lever, locking bracket and locking angle zinc die zinc-plated, round cylinder zinc die with stainless steel cap and dust protection, springs stainless steel, cam and fixing material zinc die zinc-plated, with seal. Each round cylinder has one silver steel key with grip polyamide GF black.

keyed EK 333

1130-U1

keyed different

1130-U2

# Chest handle

## PROGRAM 1130



1 Quarter turns

2 Rod controls

3 Locking systems

4 Hinges

5 Seals

6 Handles

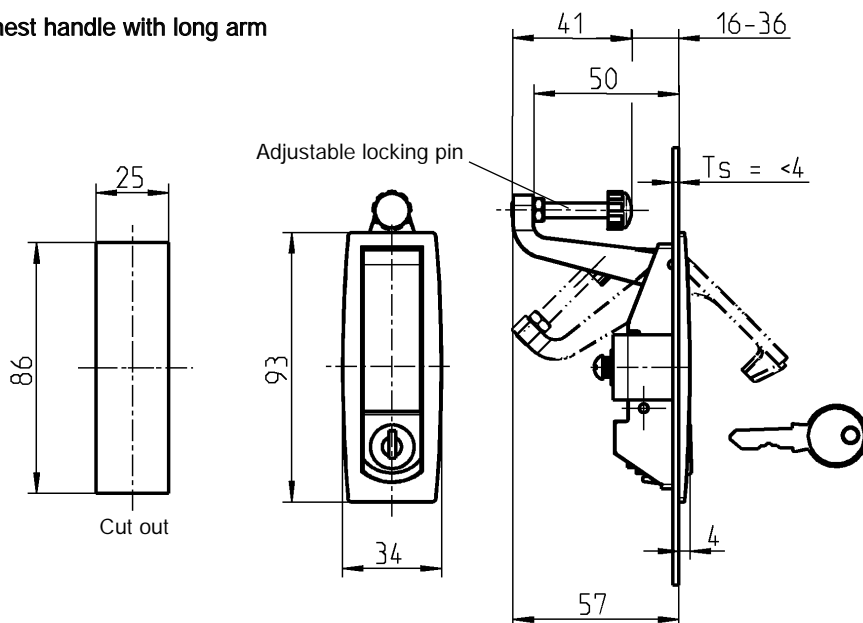
7 Aluminium windows

8 Miscellaneous

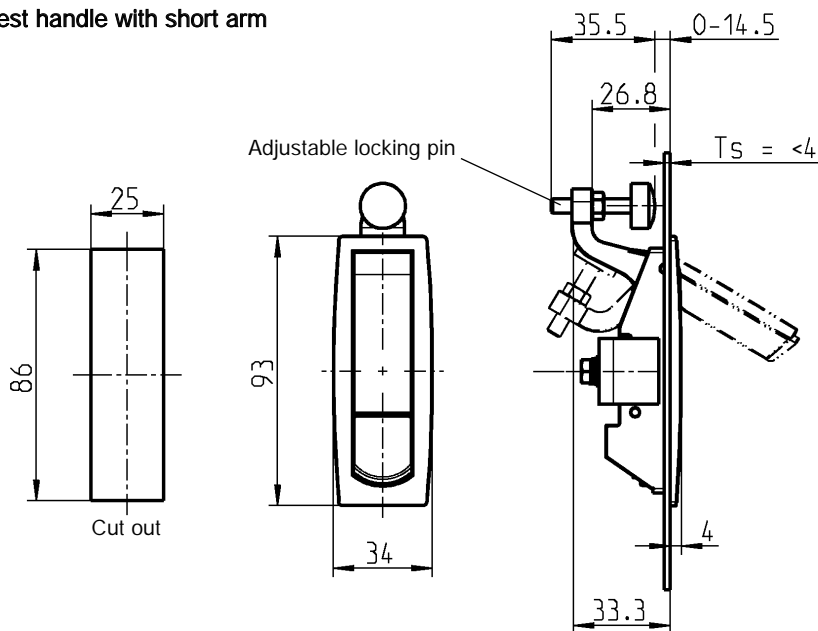
9 Special catalogues

Index

Chest handle with long arm



Chest handle with short arm



Chest handle zinc die black powder-coated, locking pin m.s. zinc-plated / TPE-V, fixing material m.s. zinc-plated. Each round cylinder has one key of m.s. nickel-plated.

**Chest handle with long arm**

keyed EK 333	on request
blank	1130-U9

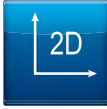
**Chest handle with short arm**

keyed EK 333	on request
blank	1130-U13

Further parts see page – Spare key 8B-140

Info

1 Quarter turns



2 Rod controls

3 Locking systems

4 Hinges

5 Seals

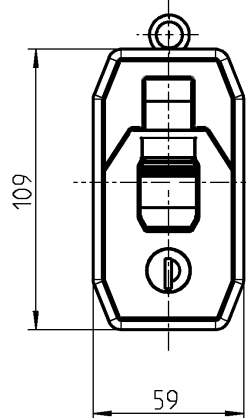
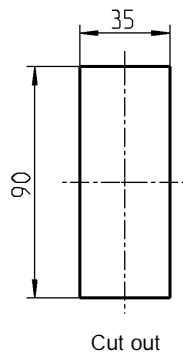
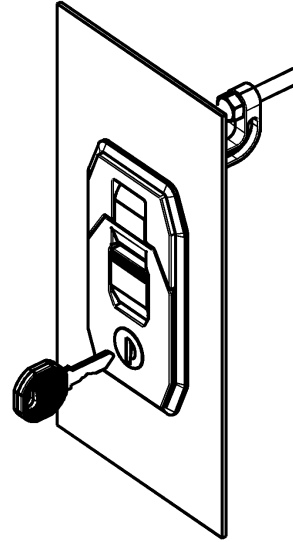
6 Handles

7 Aluminium windows

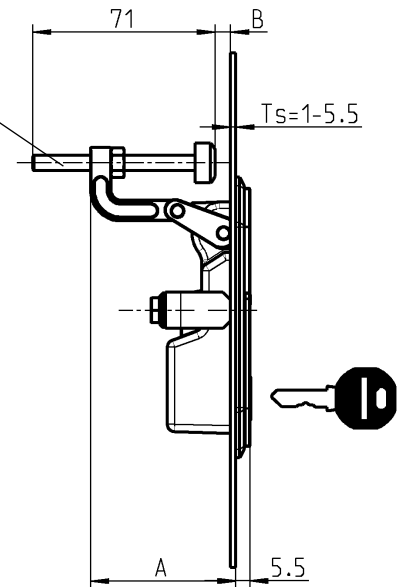
8 Miscellaneous

9 Special catalogues

Index



Adjustable locking pin



Chest handle with other lever arm on request

Further parts see page  
– Spare key

8B-140

Chest handle zinc die black powder-coated,  
locking pin m.s. zinc-plated / TPE-V,  
fixing material m.s. zinc-plated,  
round cylinder with stainless steel cap and dust protection, with seal.  
Each cylinder has one silver steel key with grip polyamide GF black.

A = 57, keyed EK 333

1130-U7

A = 57, keyed different

1130-U7-V

A = 71, keyed EK 333

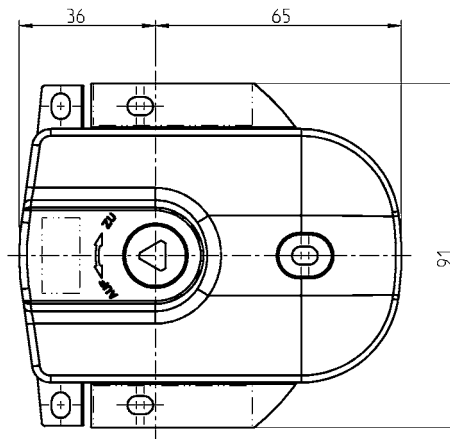
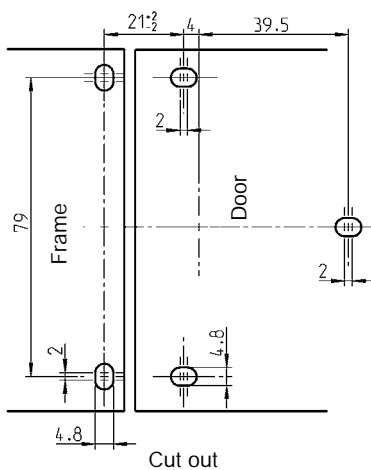
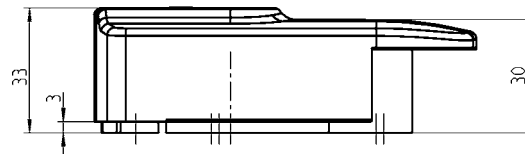
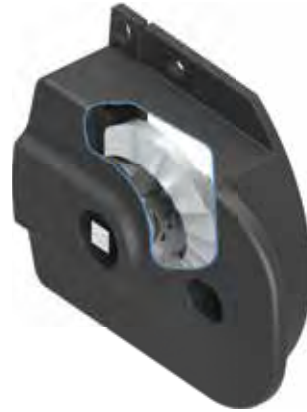
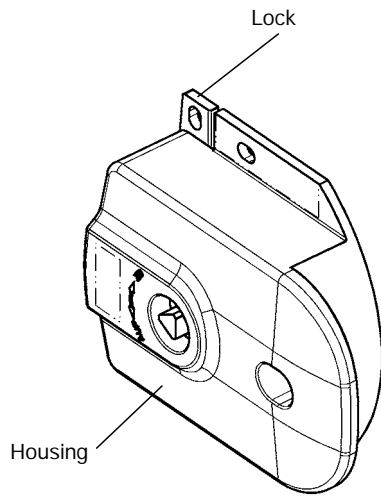
1130-U7-01

A = 71, keyed different

1130-U7-01V

# Prominent door lock

## PROGRAM 1000



**Attention:**  
Insert not included in scope of delivery

Suitable lockable or non lockable T-handles and L-handles on request!

**Further parts see page**

– Insert 1B-140  
– Key 8B-120

Housing and lock zinc die black powder-coated, stepped cam zinc die raw

for insert

1000-U778

Info

1 Quarter turns



2 Rod controls

3 Locking systems

4 Hinges

5 Seals

6 Handles

7 Aluminium windows

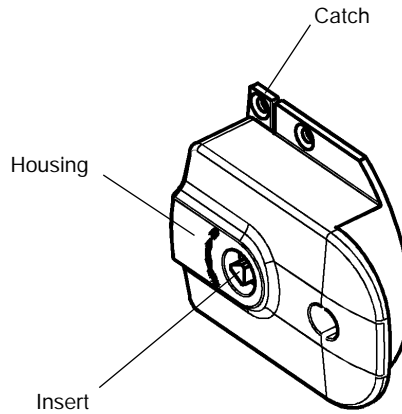
8 Miscellaneous

9 Special catalogues

Index



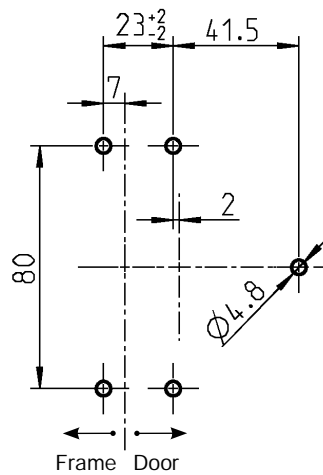
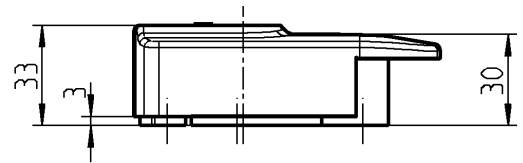
Catch



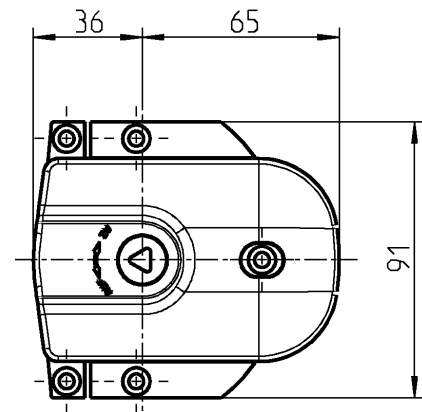
Countersinking for rivet  
in housing and catch



Stepped cam



Cut out



#### Attention:

Insert not included in scope of delivery

Catch to be ordered separately

#### Further parts see page

– Door lock with inside handle or pressure relief

Special catalogue HVACR

– Insert 1B-140

– Key 8B-120

Prominent door lock zinc die black powder-coated, stepped cam zinc die raw

without insert

1000-U779

Prominent door lock polyamide 66 GF 50 black, stepped cam zinc die raw

without insert

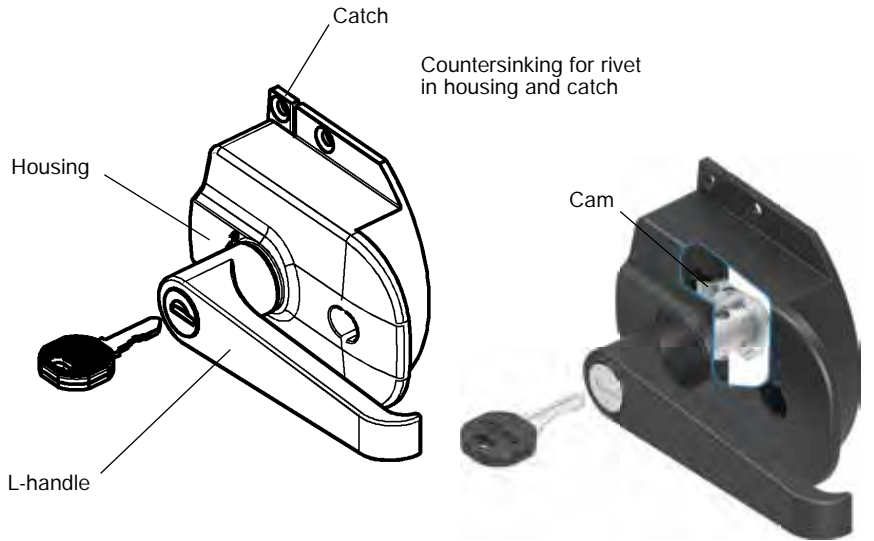
1000-U957

Catch zinc die black powder-coated

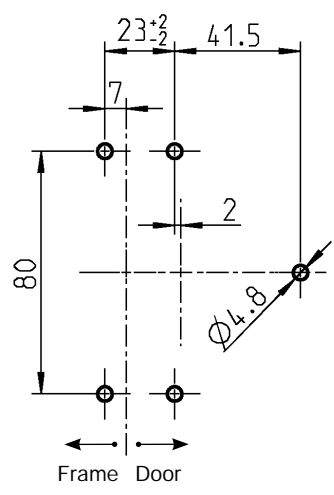
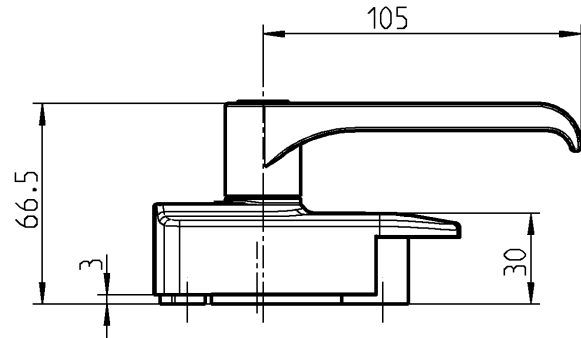
1000-488-AA

# Prominent door lock

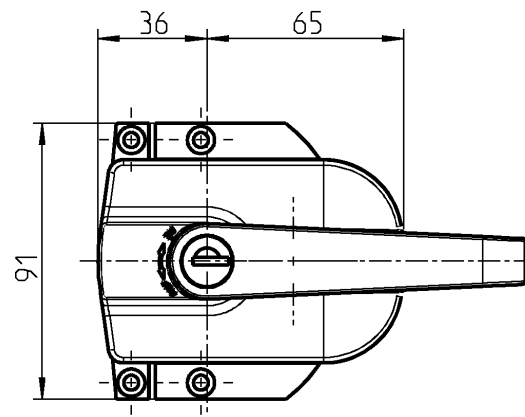
## PROGRAM 1000



Catch



Cut out



Prominent door lock zinc die black powder-coated,  
L-handle polyamide GF black, stepped cam zinc die raw, screw m.s. zinc-plated  
non locking 1000-U780

Prominent door lock zinc die black powder-coated,  
L-handle polyamide GF black, cam and screw m.s. zinc-plated,  
round cylinder zinc die with stainless steel cap and dust protection.  
Each round cylinder has one silver steel key with grip polyamide GF black.  
keyed EK 333 1000-U781

keyed different 1000-U781-V

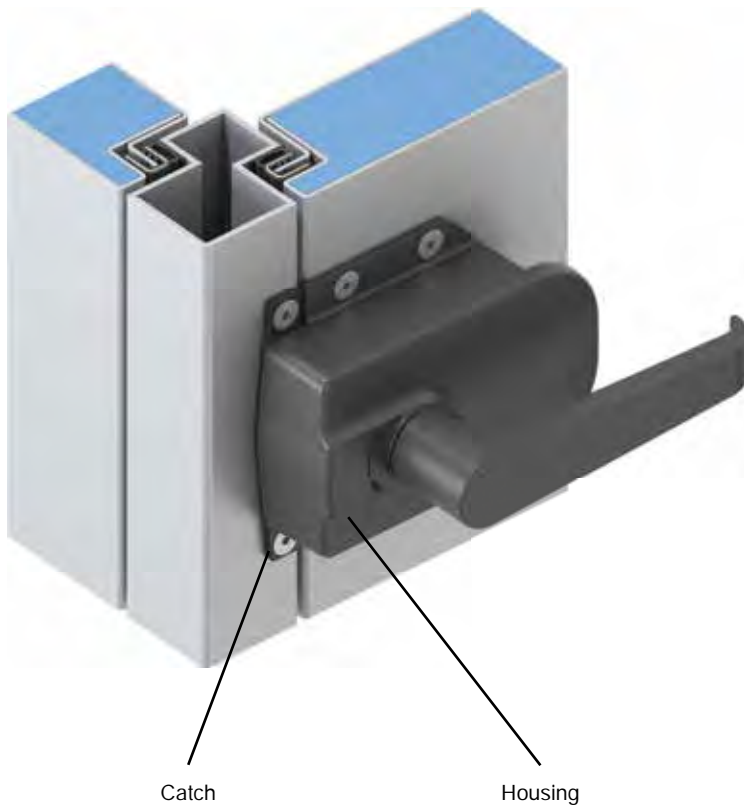
Catch zinc die black powder-coated  
1000-488-AA

Catch to be ordered separately  
90° turn for lockable handles  
Housing and catch with slotted holes on request!

**Further parts see page**  
– Door lock with inside handle or pressure relief  
Special catalogue HVACR  
– Spare key 8B-140

# Prominent door lock with inside handle

## PROGRAM 1000



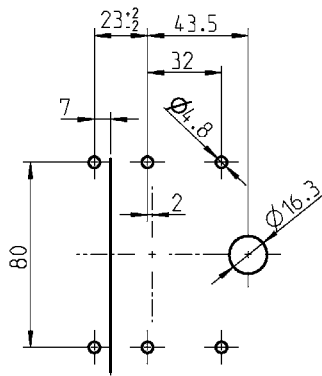
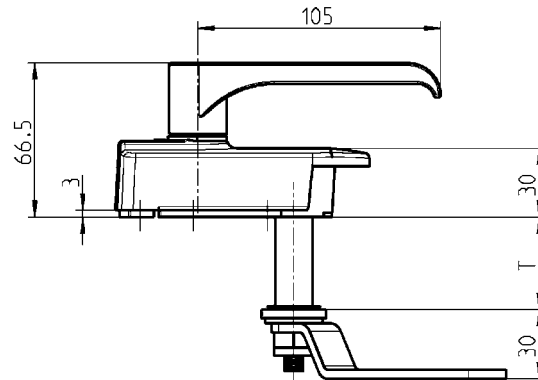
### Product benefits

- New modular locking system especially for use on large doors (>1.6 m door height)
- Various inserts and handle options in combination with different cams possible (stepped cam, pressure relief cam, etc.)
- System for various door thicknesses available (30 mm - 60 mm)
- Also available as version without inside handle
- VDI 6022 / ISO 846 compliant materials



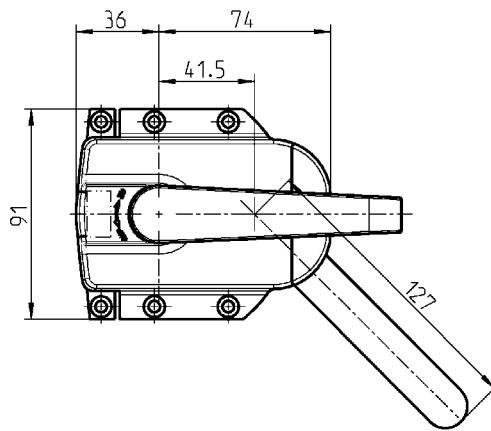


Countersinking for rivet  
in housing and catch



Catch Housing  
Cut out front

Bore hole  $\varnothing$  16.3 continuous



Catch

Prominent door lock with inside handle:  
Housing polyamide 66 GF 50 black,  
L-handle, bezel, bridge and coupling piece polyamide GF black,  
adapter plate POM GF black; gearwheels zinc die zinc-plated,  
square shaft, cam, pin and inside handle m.s. zinc-plated,  
washer, nut m.s. zinc plated, with seal

T = 50 mm 1000-U938

T = 60 mm 1000-U939

other T-dimensions and handles on request

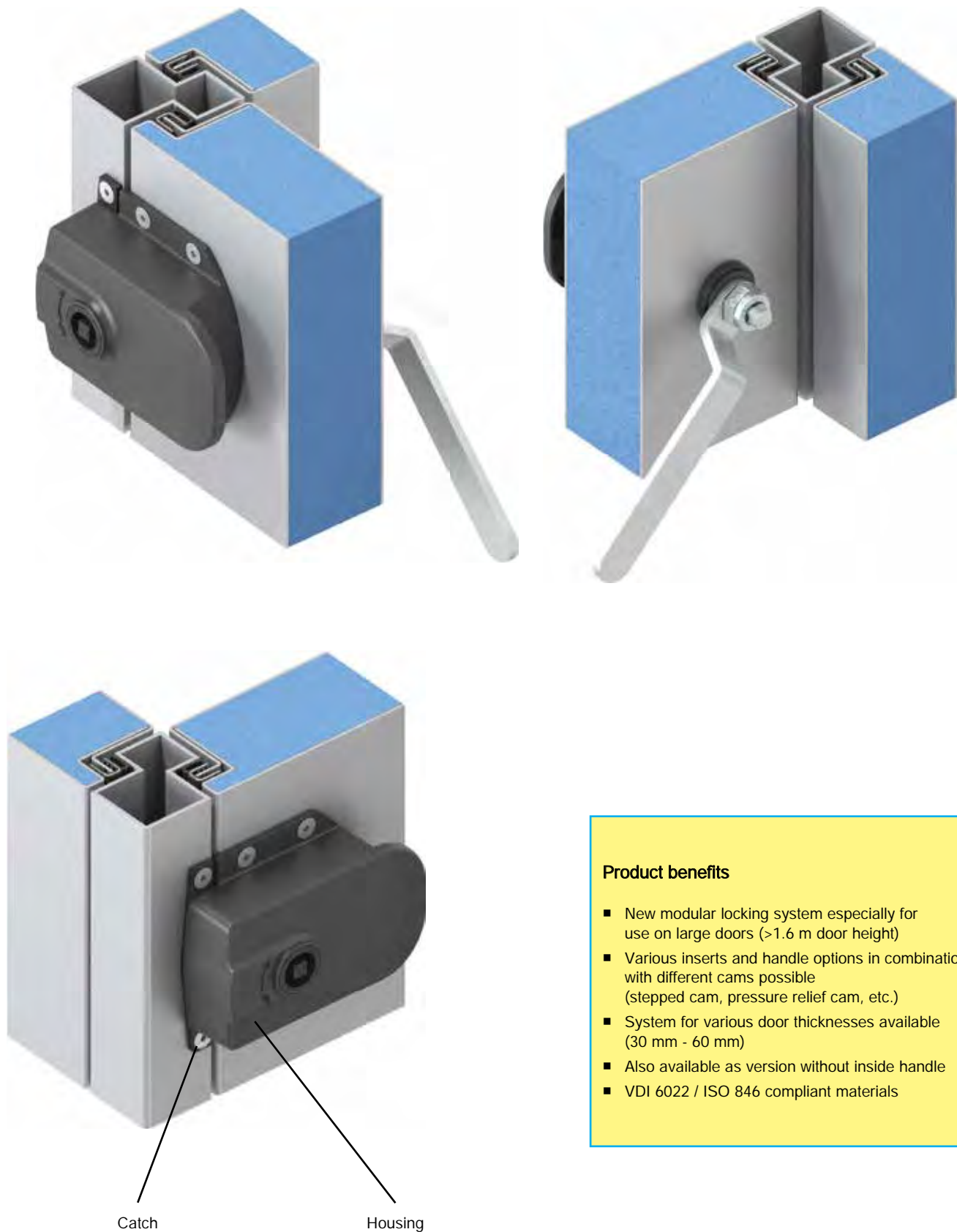
**Catch zinc die black powder-coated**

1000-488-AA

Catch to be ordered separately  
90° Turn

# Prominent door lock with inside handle

## PROGRAM 1000



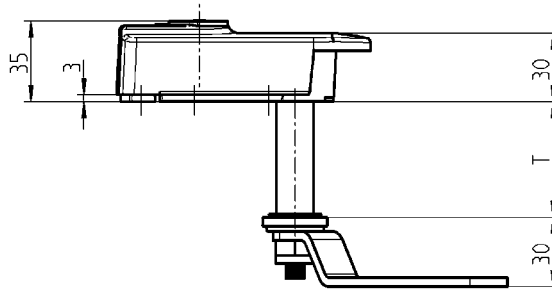
### Product benefits

- New modular locking system especially for use on large doors (>1.6 m door height)
- Various inserts and handle options in combination with different cams possible (stepped cam, pressure relief cam, etc.)
- System for various door thicknesses available (30 mm - 60 mm)
- Also available as version without inside handle
- VDI 6022 / ISO 846 compliant materials

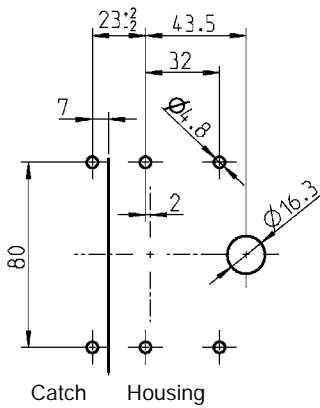


1 Quarter turns

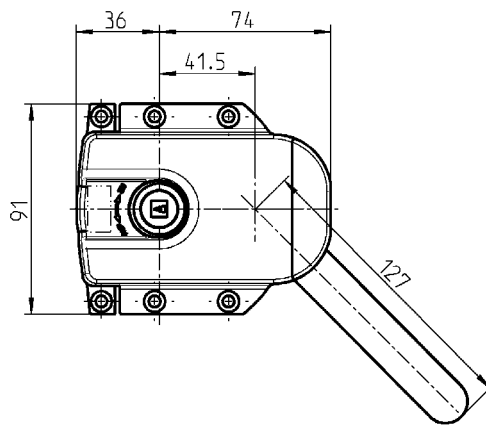
Countersinking for rivet in housing and catch



2 Rod controls



Catch Housing  
Cut out front



Bore hole Ø 16.3 continuous



3 Locking systems

4 Hinges

5 Seals

6 Handles

- Ⓐ = Door lock with stepped cam
- Ⓑ = Door lock with pressure relief cam

Prominent door lock with inside handle:  
Housing polyamide 66 GF 50 black, bezel, bridge and coupling piece polyamide GF black, adapter plate POM GF black; gearwheels zinc die zinc-plated, insert zinc die black powder-coated,  
Ⓐ stepped cam zinc die,  
Ⓑ double cam m.s. zinc-plated, square shaft, pin and inside handle m.s. zinc-plated, washer and nut m.s. zinc-plated, with seal

Ⓐ = Door lock with stepped cam

Square 7, T = 50 mm	1000-U943
Square 7, T = 60 mm	1000-U944

Ⓑ = Door lock with pressure relief cam

Square 7, T = 50 mm	1000-U945
Square 7, T = 60 mm	1000-U946

other T-dimensions and inserts on request

Catch zinc die black powder-coated

1000-488-AA



Catch

7 Aluminium windows

8 Miscellaneous

Catch to be ordered separately

9 Special catalogues

Info

1 Quarter turns



2 Rod controls



3 Locking systems



4 Hinges

Small head = DIN ISO 2009, 2010, 7046-1, 7046-2, 7047

\* not included in the scope of delivery

Further parts see page 8B-120  
- Key

5 Seals

6 Handles

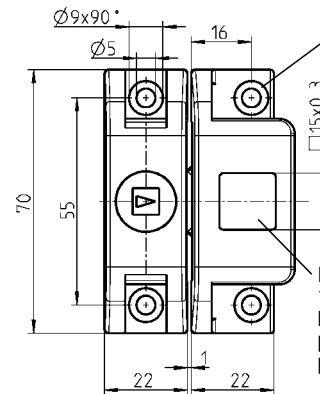
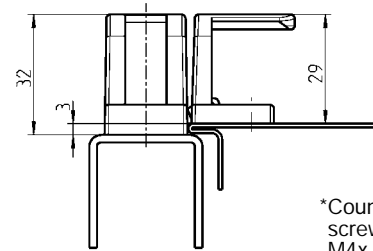
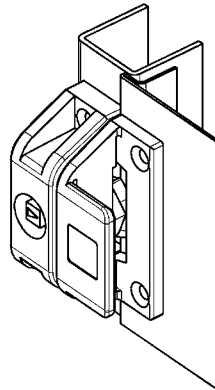
7 Aluminium windows

8 Miscellaneous

9 Special catalogues

Index

#### Cam lock



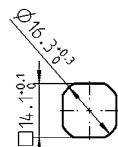
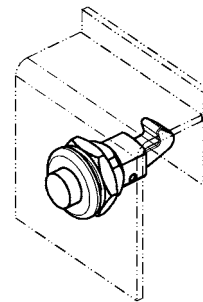
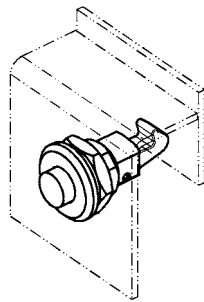
\*Countersunk screw small head M4x...

Logo recess 15 x 15 x 0.3  
Multicolour pad printing possible.

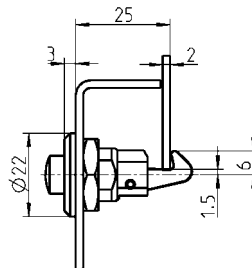
Cam lock polyamide black, insert zinc die chrome-plated.  
cam, screw and spring washer m.s. zinc-plated

Square 7	1076-U5	Double bit 3	1076-U9
Square 8	1076-U6	Double bit 5	1076-U10
Triangular 7	1076-U7	Hexagon female SW 10	1076-U11
Triangular 8	1076-U8	Slot 2 x 4	1076-U12

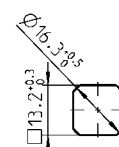
#### Snap lock with and without seal



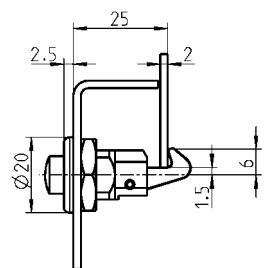
Cut out



Version A



Cut out



Version B



O-ring



Flat seal

with seal IP 65

Snap lock zinc die chrome-plated, with or without seal

Version A		Version B	
without seal	1047-U3	without seal	1047-U2
with seal IP 65	1047-U5	with seal IP 65	1047-U4

**8A-240** 06/07  
(12A-240; 1B-360)

© EMKA Beschlagteile GmbH & Co. KG • 2021 • www.emka.com

Items printed in gray without stock

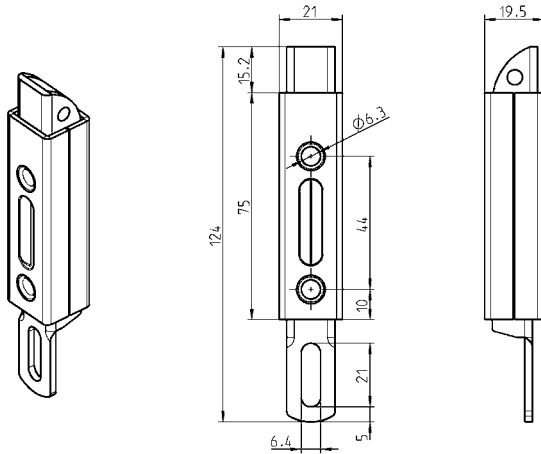
# Slam-lock

## PROGRAM 1034, 1085

Slam-lock



1 Quarter turns



2 Rod controls



3 Locking systems

Rod connection can be bent for hand-operation on request

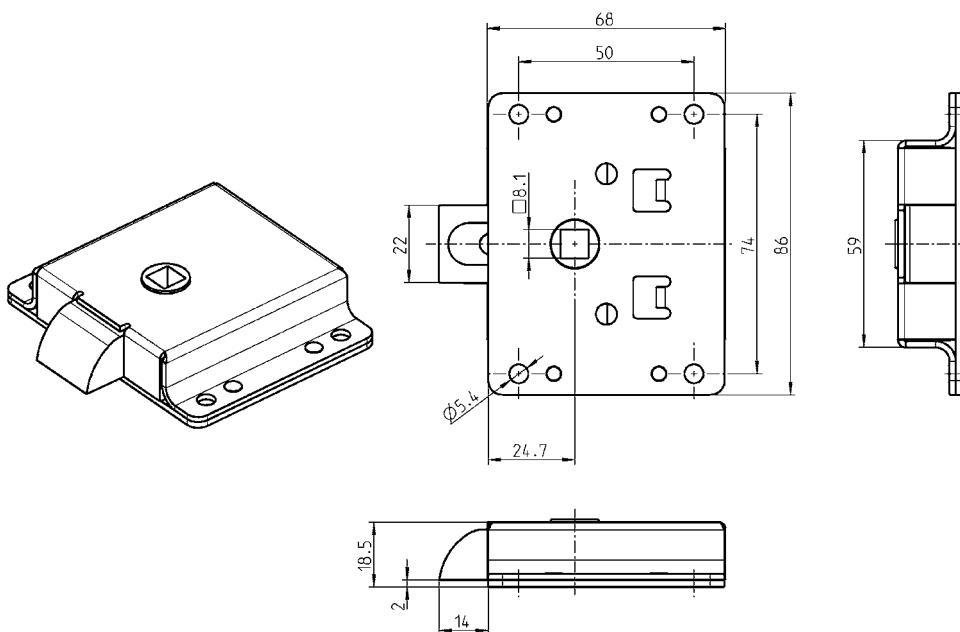
4 Hinges

Slam-lock m.s. zinc-plated

1085-U1

5 Seals

Slam-lock



6 Handles



7 Aluminium windows

Slam-lock m.s. zinc-plated, lock and nut zinc die raw, compression spring material spring steel

1034-U1

Further parts see page  
– Support and  
insert

1C-360

8 Miscellaneous

9 Special catalogues

Info

1 Quarter turns



Version A



2 Rod controls

3 Locking systems

4 Hinges

Version B



5 Seals

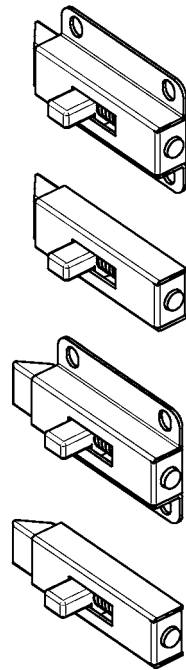
6 Handles

7 Aluminium windows

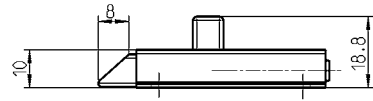
8 Miscellaneous

9 Special catalogues

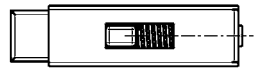
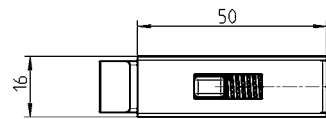
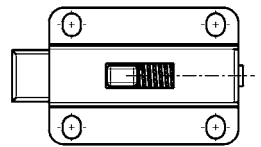
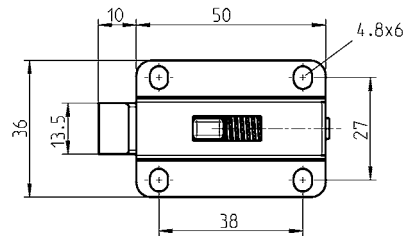
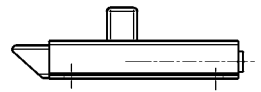
Index



Version A



Version B



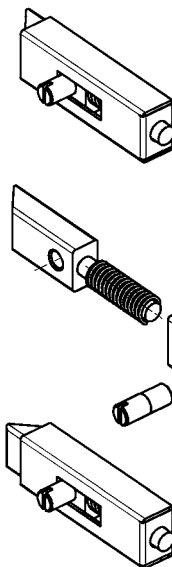
Slam-lock m.s. zinc-plated resp. m.s. raw, locking bolt zinc die zinc-plated

	Version A	Version B
screw-on, m.s. zinc-plated	1053-U1	1053-U2
weld-on, m.s. raw	1053-U3	1053-U4

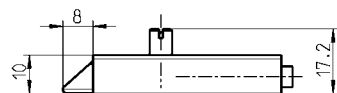
Version A



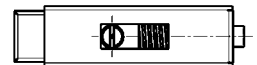
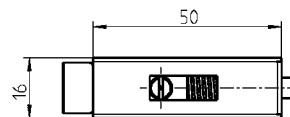
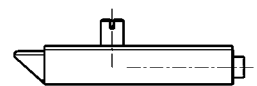
Version B



Version A



Version B



Dismountable for welding on!

Slam-lock m.s. raw, locking bolt zinc die zinc-plated

	Version A	Version B
weld-on	1053-U5	1053-U6

# Snap lock, clip-in PROGRAM 1091



1 Quarter turns

2 Rod controls

3 Locking systems

4 Hinges

5 Seals

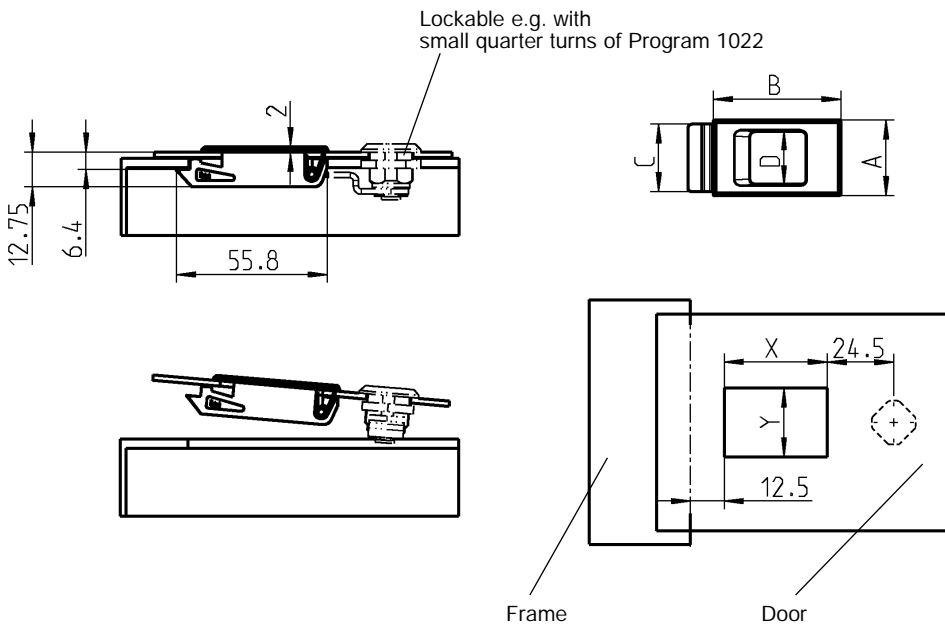
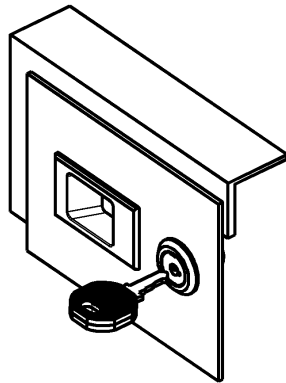
6 Handles

7 Aluminium windows

8 Miscellaneous

9 Special catalogues

Index



### Snap lock polyamide black with spring m.s. zinc-plated

Size	Ts = 1.2 - 1.6				Ts = 1.75 - 2.2		
1	1091-U114-01				1091-U114		
2	1091-U115-01				1091-U115		
3	on request				1091-U116		
Dim.	A	B	C	D	Door cut out	X	Y
1	28	47	25	20	1	38	25.5
2	47	47	44	39.5	2	38	44.5
3	86	47	83	78.5	3	38	83.5

Suitable for door thicknesses from 1.2 to 2.2 mm

Further parts see page  
– Quarter turn 1A-120 to 1A-160

Info

1 Quarter turns



2 Rod controls



3 Locking systems



4 Hinges



5 Seals

6 Handles

7 Aluminium windows

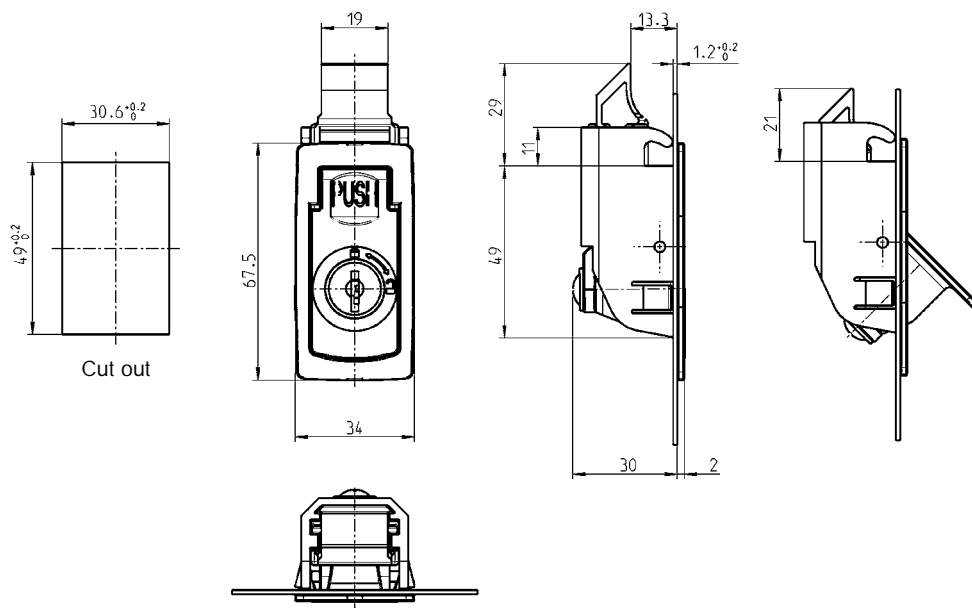
8 Miscellaneous

9 Special catalogues

Index



Open condition



Cut out

Further parts see page  
– Spare key

8B-140

Side panel latch polyamide GF black, screw m.s. zinc-plated  
Each round cylinder has one silver steel key with grip polyamide GF black.  
Key removable in both positions

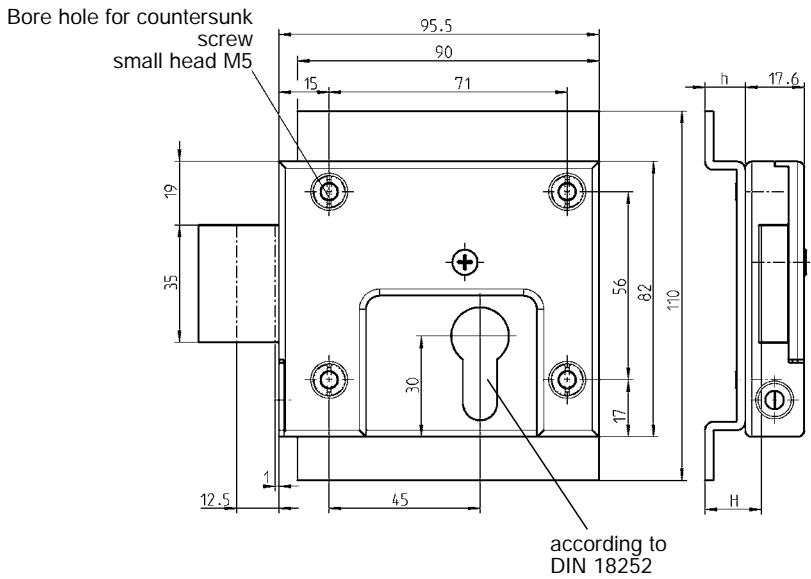
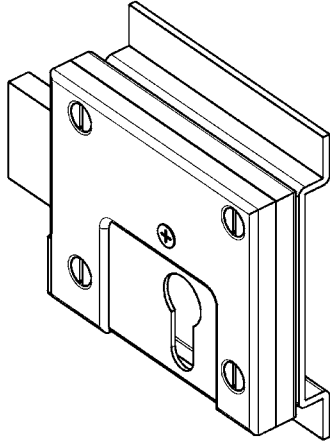
keyed EK 333	1091-U143
keyed different	1091-U143-01V
blank	1091-U143-02



# Dead-bolt lock

## PROGRAM 1080

Dead-bolt lock



Dead-bolt lock for LH and RH version

Small head = DIN ISO 2009, 2010, 7046-1, 7046-2, 7047

Dead-bolt lock m.s. zinc-plated

1080-U1

Lock support m.s. raw

H	h	Profile cylinder length	
16.5	12	40	on request
26.5	22	50	on request

Further parts see page  
– Profile half cylinder 2B-220

Info

1 Quarter turns

2 Rod controls

3 Locking systems

4 Hinges

5 Seals

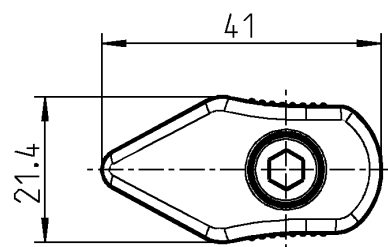
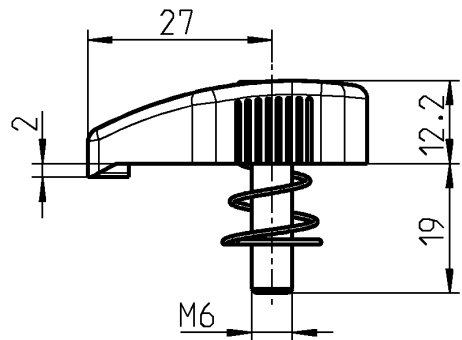
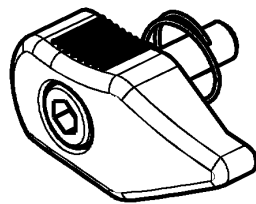
6 Handles

7 Aluminium windows

8 Miscellaneous

9 Special catalogues

Index



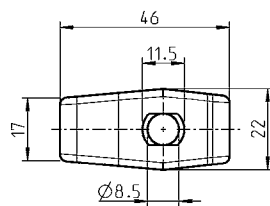
Bridge clamp polyamide black;  
cylinder screw m.s. zinc-plated;  
with spring

1076-U13

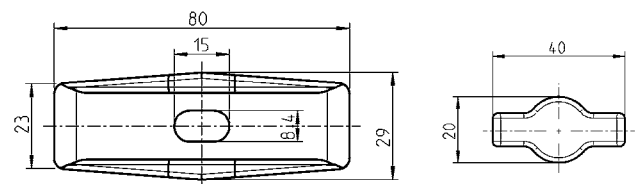
Version A



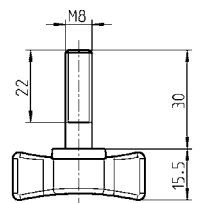
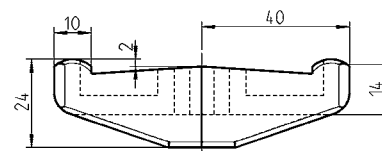
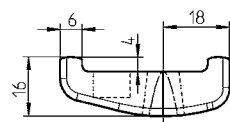
Version A



Version B



Version B



Bridge clamp polyamide GF black

Version A

Version B

1076-19

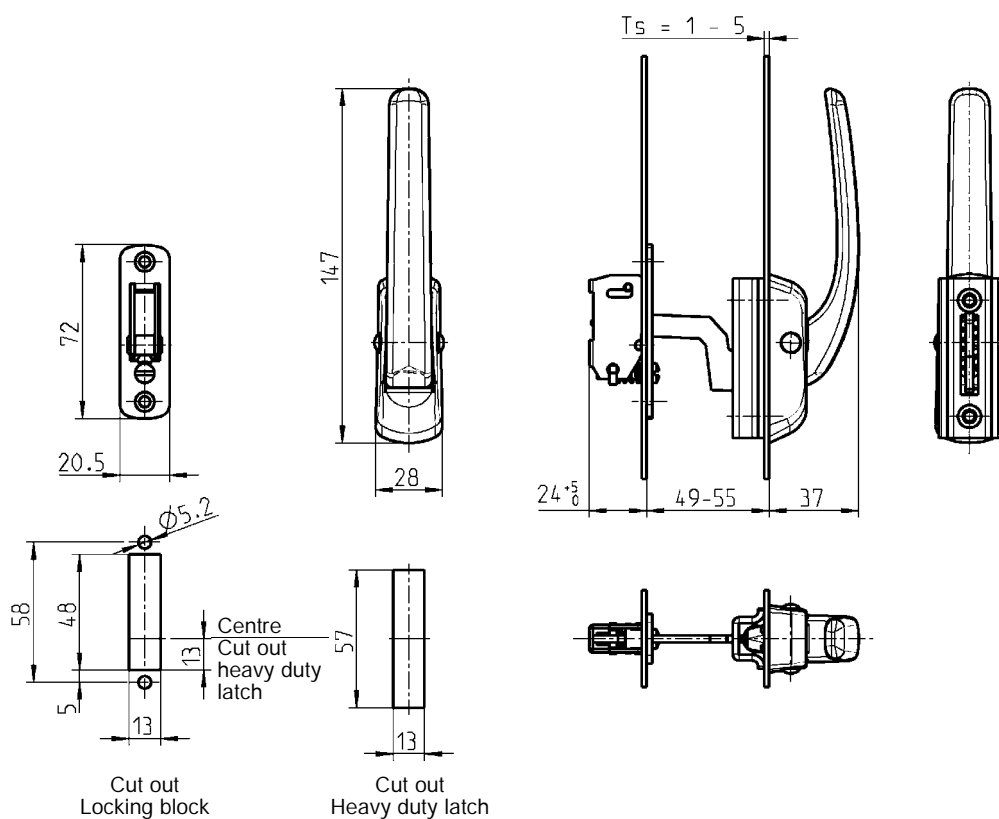
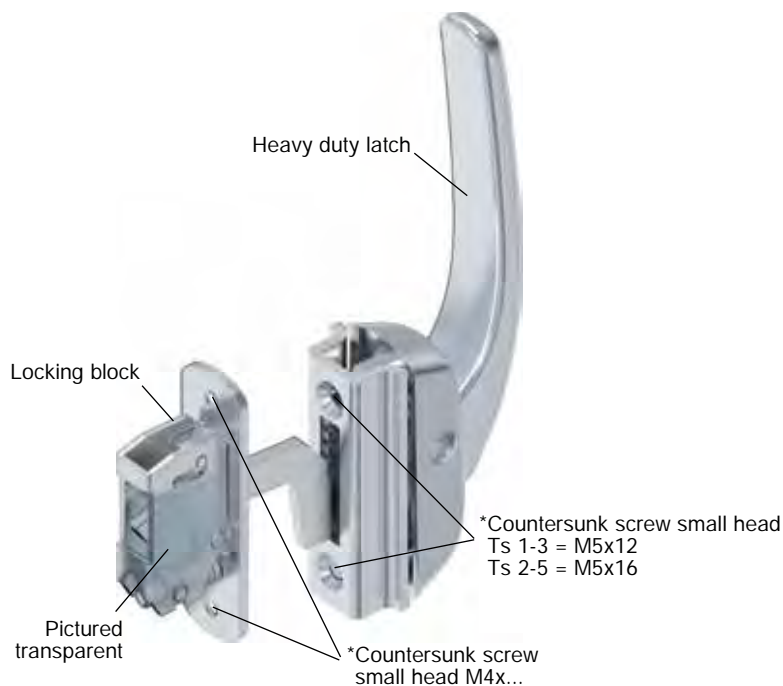
1076-20

Tommy screw m.s. zinc-plated; wing knob polyamide GF black

1076-15

# Heavy duty latch with adjustable locking block

## PROGRAM 2074



\* not included in the scope of delivery

Small head = DIN ISO 2009, 2010, 7046-1, 7046-2, 7047

Heavy duty latch zinc die chrome-plated,  
cam AISI 304 chrome-plated,  
fastening bracket and spring setting AISI 304, with spring

2074-U372-137IK

Locking block AISI 304 chrome-plated,  
U-frame and adjusting screw AISI 304,  
roller and set screw AISI 303, with spring

2074-U372-156IK

Info  
1 Quarter turns  
2 Rod controls  
3 Locking systems  
4 Hinges  
5 Seals  
6 Handles  
7 Aluminium windows  
8 Miscellaneous  
9 Special catalogues  
Index



**Application:**  
The lock can be mounted on refrigerators, for example.

Version A

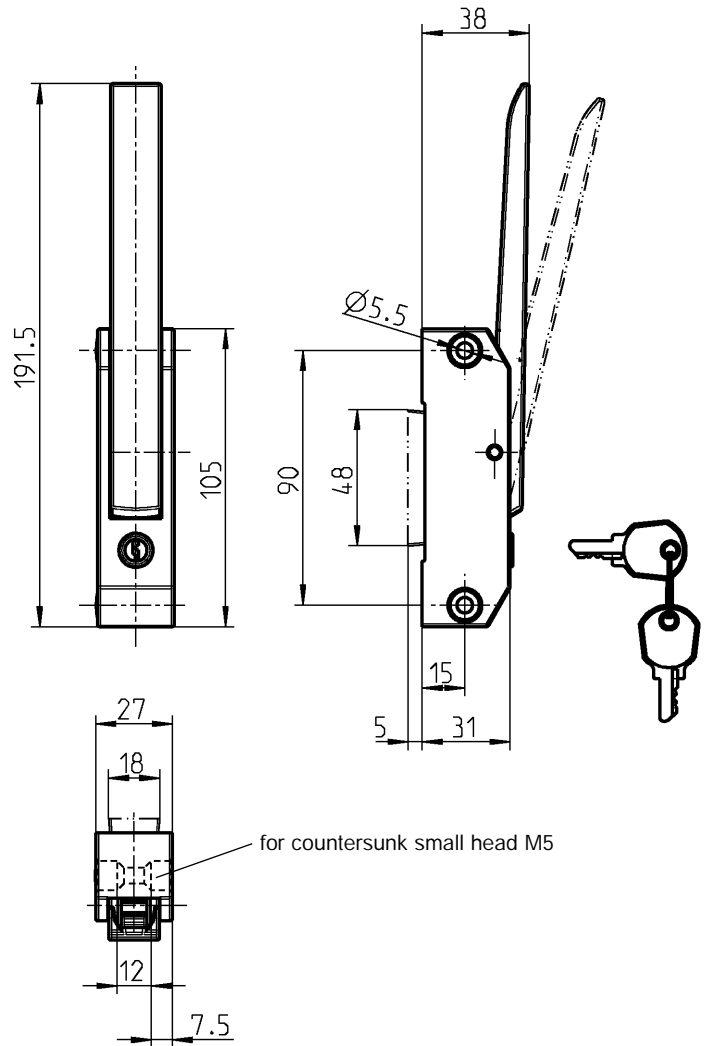
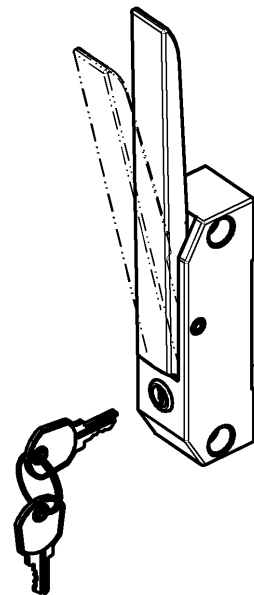


Version B

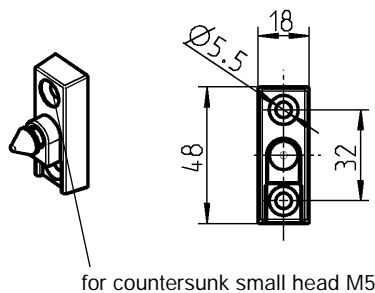


Small head = DIN ISO 2009, 2010, 7046-1, 7046-2, 7047

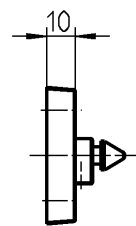
### Lock



### Clamps base with adjustable clamp

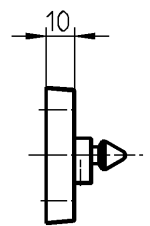


Version A



The door cannot be pushed open from inside.

Version B



The door can be pushed open from inside, if the round cylinder is not closed. (chamfered clamp)

Lock zinc die gloss chrome-plated, clamp and other components m.s. zinc-plated thick-film passivated plus top coat sealed, two plugs polyethylen grey, with spring. Each round cylinder has two silver steel nickel plated keys at a ring.

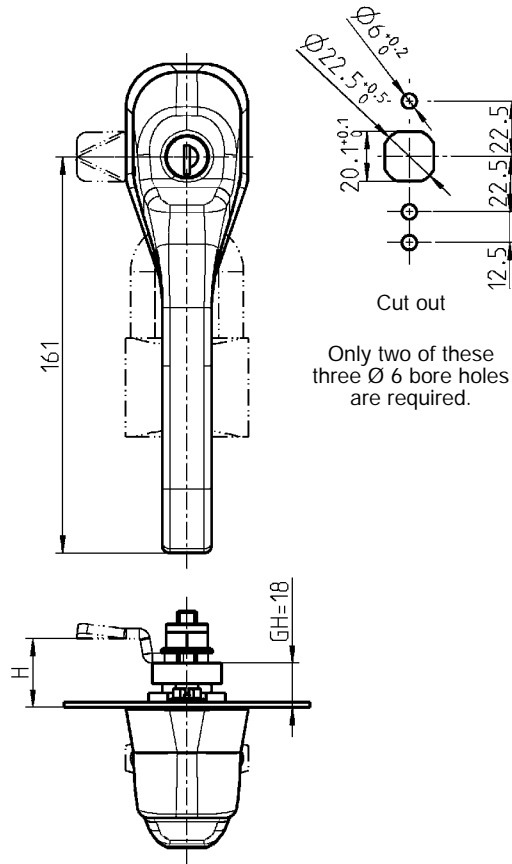
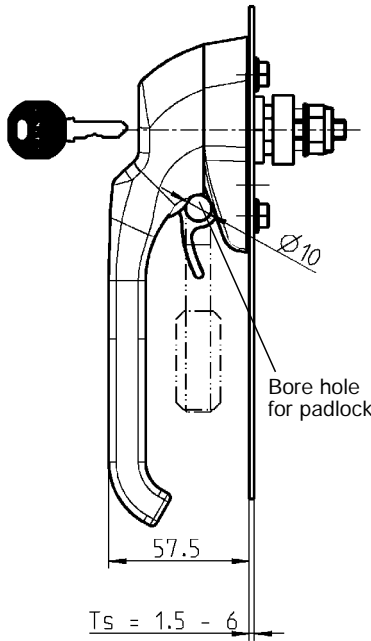
non locking	2074-U130-IK
keyed different	2074-U132-IK
keyed alike	on request

Clamp stainless steel, clamp base zinc die chrome-plated, threaded stud m.s. zinc-plated

Version A	2074-U111-IA
Version B	2074-U113-IA

# Heavy duty latch

## PROGRAM 1091



Handle zinc die black powder-coated;  
 round cylinder with stainless steel cap and dust cap;  
 insert and lever zinc die chrome-plated;  
 stop plate zinc die zinc-plated; fixing material m.s. zinc-plated.  
 Each round cylinder has one silver steel key with grip polyamide GF black.

#### with spring-loaded return

without insert	1091-U122	Triangular 8	1091-U131
keyed EK 333	1091-U123	Double bit 3	1091-U132
keyed different	1091-U124	Double bit 5	1091-U133
Square 6	1091-U125	Hexagon female SW 8	1091-U134
Square 7	1091-U126	Hexagon female SW 10	1091-U135
Square 8	1091-U127	Square female 8	1091-U136
Square 8 slotted	1091-U128	Slot 2 x 4	1091-U137
Triangular 6.5 CNOMO	1091-U129	Daimler Benz	1091-U138
Triangular 7	1091-U130	Eastern Europe Ø 13 half-round	1091-U139

#### without spring-loaded return

keyed EK 333	1091-U140	keyed different	1091-U141
--------------	-----------	-----------------	-----------

**Heavy duty latch AISI 316;**  
 round cylinder with stainless steel cap and dust cap zinc die chrome-plated.  
 Each round cylinder has one silver steel key with grip polyamide GF black.

#### with spring-loaded return

without insert	1091-U142	keyed different	1091-U142-03
keyed EK 333	1091-U142-02	Slot 2 x 4	1091-U142-01

#### Further parts see page

- Cam with catch (GH = 18)
  - to 1C-120
  - 1C-160
  - 1C-170
- Ramp 8B-120
- Key 8B-140
- Spare key 8B-140



# Keys

## Program 1004, 1108



- |   |                             |        |
|---|-----------------------------|--------|
| 1 | Key large, e.g. with square | 8B-120 |
| 2 | Key double bit large        | 8B-120 |
| 3 | Key small, e.g. with square | 8B-120 |
| 4 | Key small, e.g. with square | 8B-120 |
| 5 | Key double bit small        | 8B-120 |
| 6 | Key FIAT                    | 8B-120 |
| 7 | Key square male 6.5 – 8.5   | 8B-120 |
| 8 | Universal key               | 8B-120 |
| 9 | EMKA key, e.g. keyed EK 333 | 8B-140 |

# 8B-100

## Key

## PROGRAM 1004

Form A

Form B

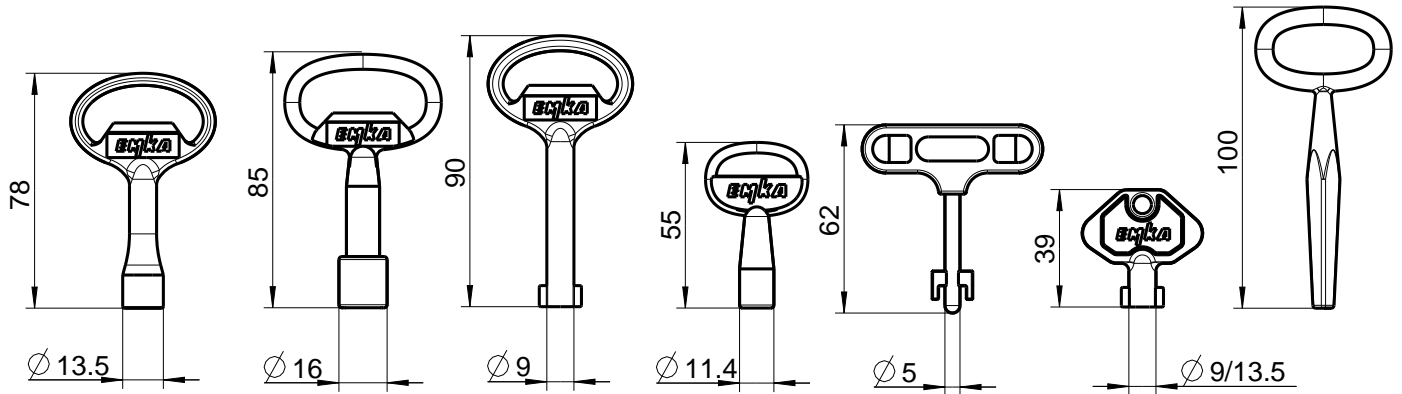
Form C

Form D

Form E

Form F

Form G



Keys can be supplied with customer logo on request

Minimum quantity: Form A, B, C, D

2,000 pieces

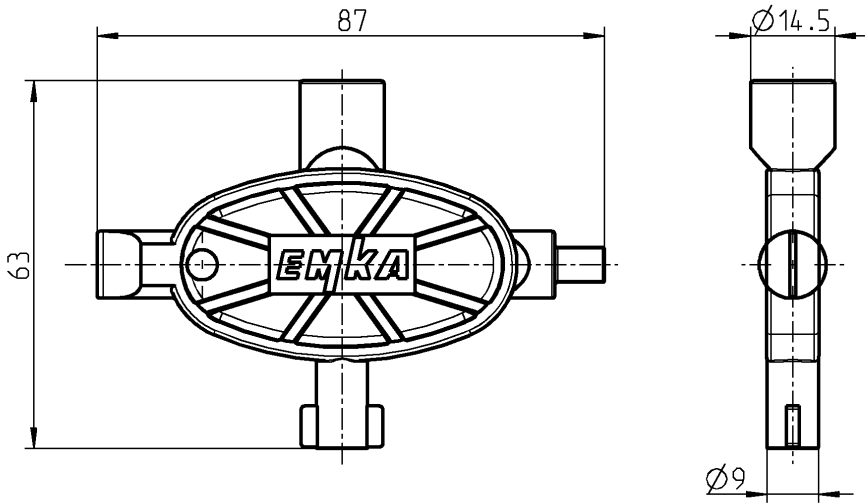
Minimum quantity: Form E, F, H

5,000 pieces

Key form	A	B	C	D	E	F	G
	Zinc die black p.c.	Zinc die black p.c.	Zinc die black p.c.	Zinc die black p.c.	Zinc die / Polyamide GF black	Polyamide GF black	GTW nickel-plated
Square 6	1004-18	-	-	1004-20	-	1004-37	-
Square 7	1004-01	-	-	-	-	1004-36	-
Square 8	1004-02	-	-	-	-	1004-35	-
Triangular 6.5	-	-	-	1004-21	-	-	-
Triangular 6.5 CNOMO type 1	1004-26	-	-	-	-	-	-
Triangular 7	1004-03	-	-	-	-	1004-39	-
Triangular 8	1004-04	-	-	-	-	1004-38	-
Triangular 10	-	1004-24	-	-	-	-	-
Crown type	-	1004-31	-	-	-	-	-
Eastern Europe Ø 13 half-round	-	1004-42	-	-	-	-	-
Double bit 3	-	-	1004-05	-	-	1004-34	-
Double bit 5	-	-	1004-06	-	-	1004-33	-
Hexagon SW 11.1	-	1004-54	-	-	-	-	-
Daimler Benz	1004-17	-	-	-	-	-	-
FIAT	-	-	-	-	1004-41	-	-
Square male 6	1004-29	-	-	-	-	-	-
Square male 8	1004-30	-	-	-	-	-	-
Square male 6 - 9.5	-	-	-	-	-	-	1004-19
Hexagon male 8 with bore hole	1004-49	-	-	-	-	-	-
Tube	-	-	-	1004-51	-	-	-



Form H

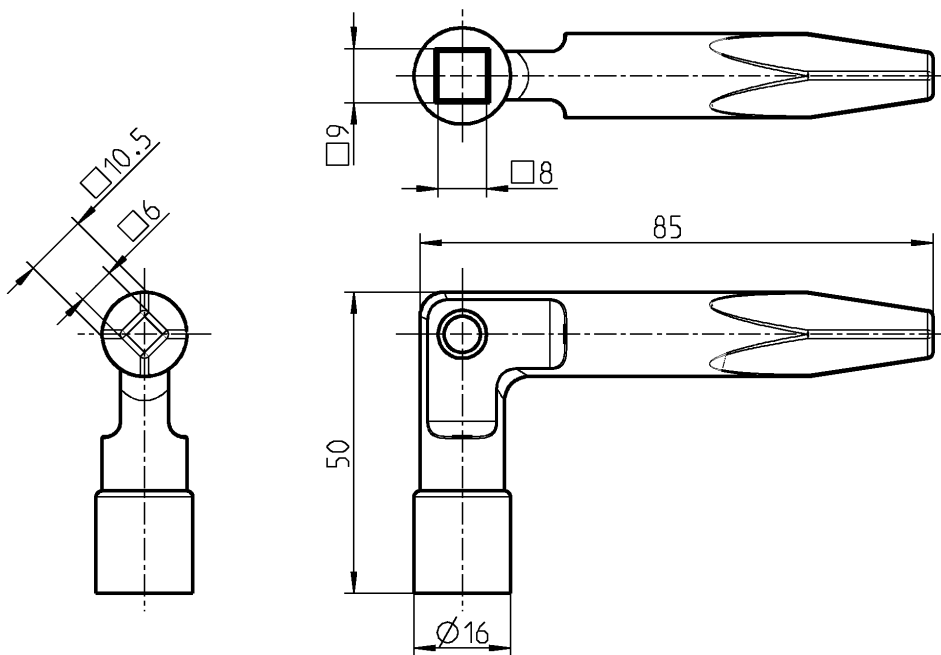


Form H, universal key, polyamide GF blue

Square male 6, square 8, double bit 5 and slot

1004-48

Form I



Form I, version railway, zinc die black powder-coated

Square 8 - 9, square male 6 - 10.5

1004-52



**Attention:**  
Keys of form  
A, B, C, E, F, G and I  
not suitable for Program 1022

Stainless steel key on request

Info

1 Quarter turns

2 Rod controls

3 Locking systems

4 Hinges

5 Seals

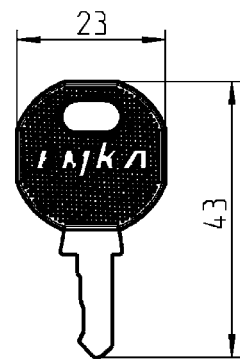
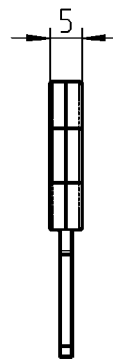
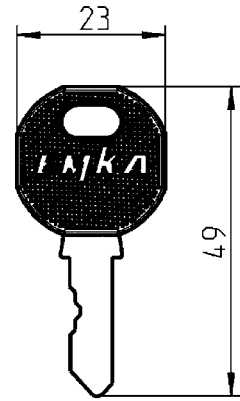
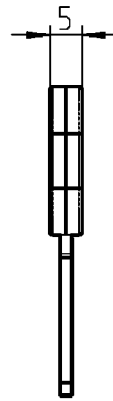
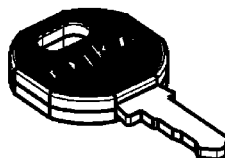
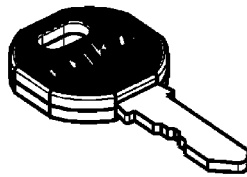
6 Handles

7 Aluminium windows

8 Miscellaneous

9 Special catalogues

Index



EMKA key silver steel with grip polyamide black for Program  
1000, 1048, 1091, 1109, 1121, 1125, 1150, 1160, 1180, 1200, 1210, 1225, 2100, 2400,

Key EK 333

1108-U35

keyed different

1108-U36-key system

for Program 1022, 1109, 1200, 2100, 2400

Key 2233X

1108-U37

keyed different

1108-U38-key system

**Note:**  
Further keys on request

**8B-140**

(12B-140; 10A-140)

# Cover stays and Door stops



1



2



3



4



5

- |   |   |        |
|---|---|--------|
| 1 | Double stay, self-catching                            | 8C-120 |
| 2 | Telescopic cover stay with push button, self-catching | 8C-140 |
| 3 | Telescopic cover stay, self-catching                  | 8C-160 |
| 4 | Cover stay with locking pawl                          | 8C-180 |
| 5 | Door stopper  | 8C-220 |

## 8C-100

Info

1 Quarter turns

2 Rod controls

3 Locking systems

4 Hinges

5 Seals

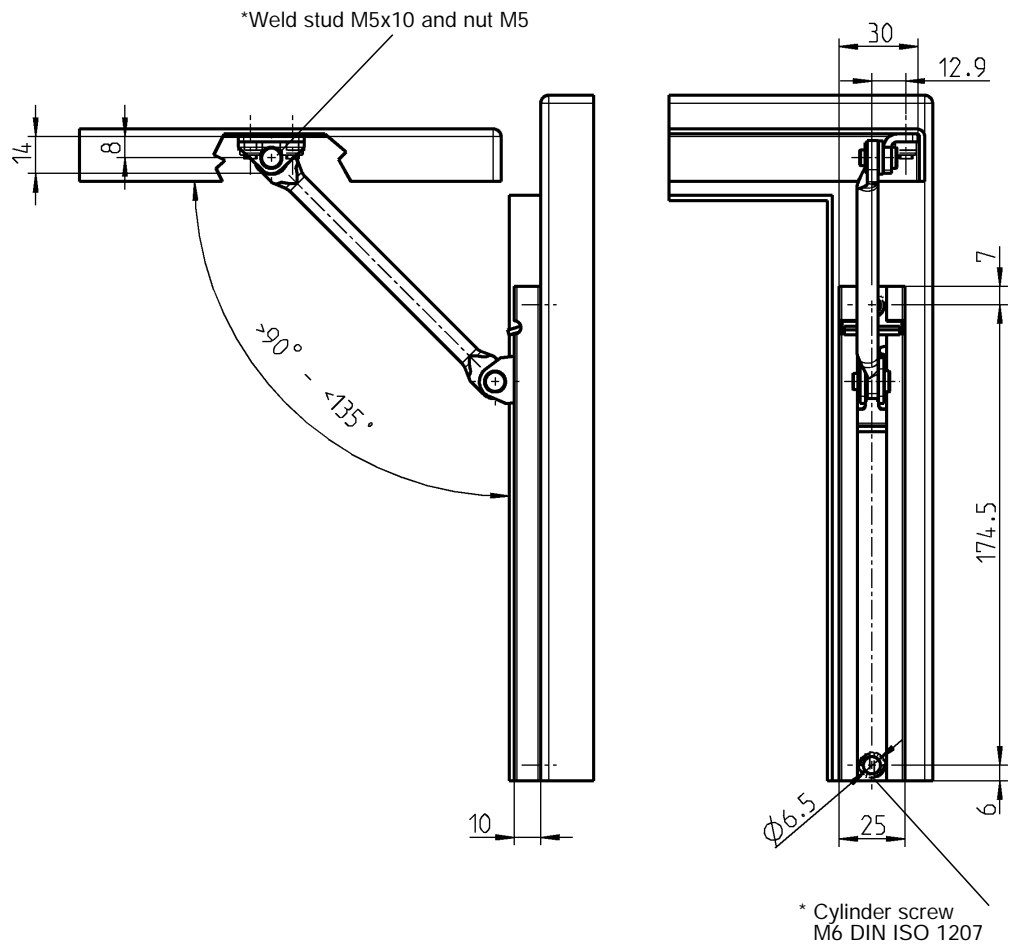
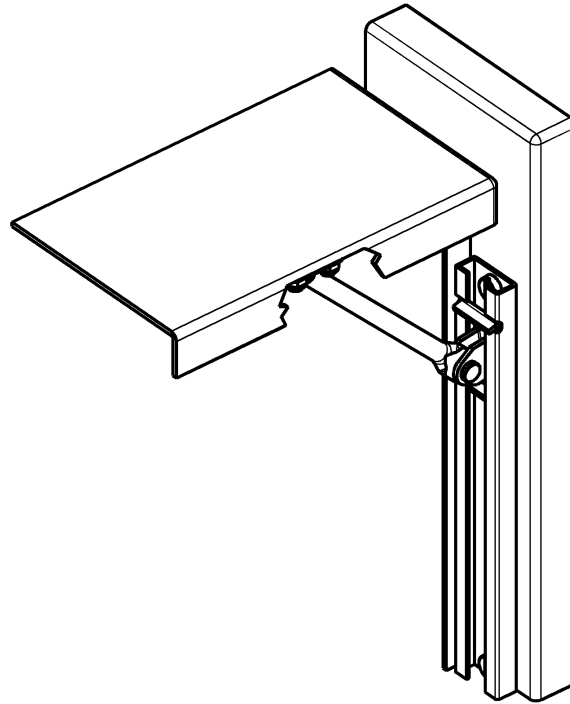
6 Handles

7 Aluminium windows

8 Miscellaneous

9 Special catalogues

Index



\*not included in the scope of delivery

The opening angle of 90°-135° depends on choice of hinge.

Further parts see page  
- Hinge for prominent door Chapter 4

Cover stay m.s. zinc-plated

1050-U3

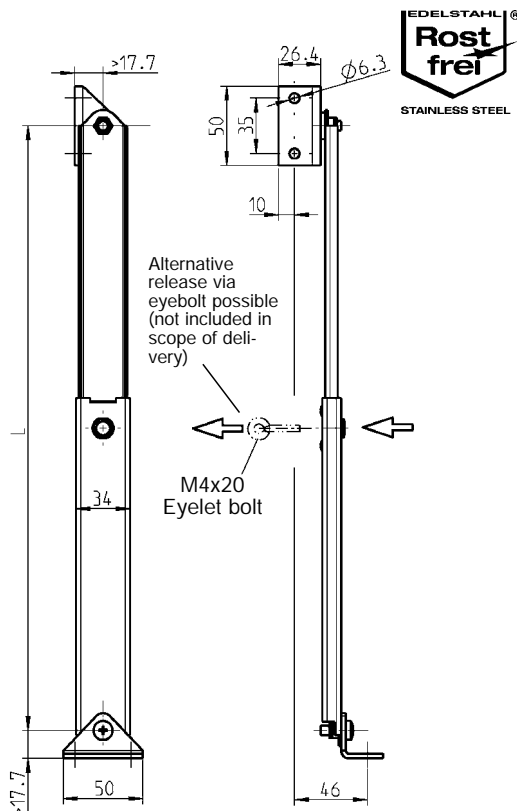
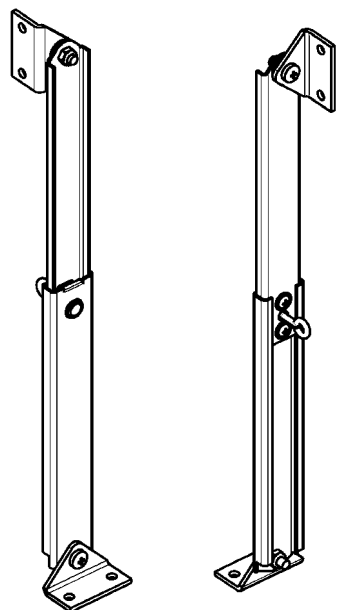
**8C-120**

(12C-120; 6A-170)

# Telescopic cover stay with push button to release

PROGRAM 1097

Telescopic cover stay m.s. zinc-plated



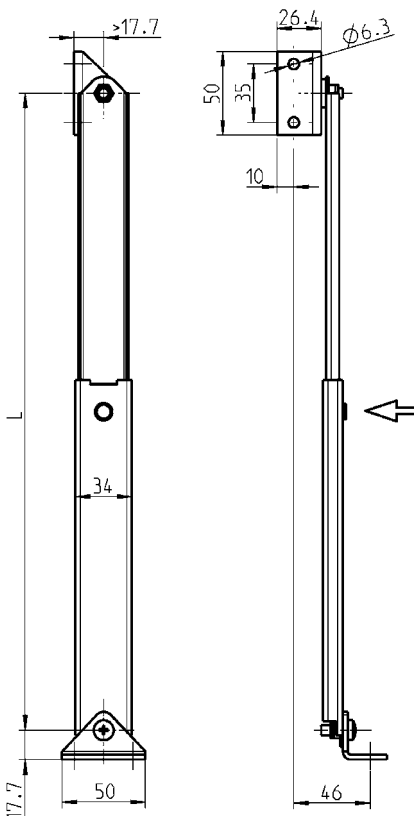
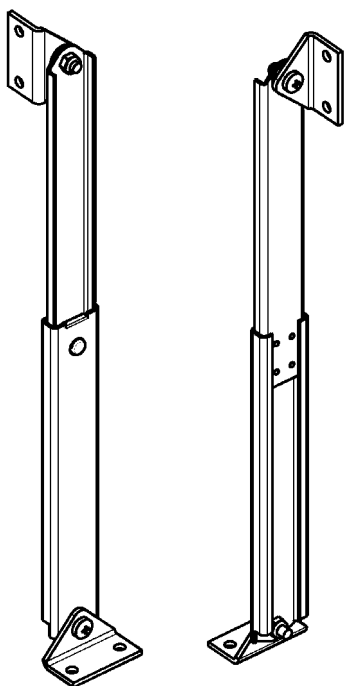
1 Quarter turns

2 Rod controls

3 Locking systems

4 Hinges

Telescopic cover stay stainless steel



5 Seals

6 Handles

7 Aluminium windows

8 Miscellaneous

Telescopic cover stay m.s. zinc-plated, push button zinc die chrome-plated

	retracted	extended	
Dimension L	213	382	1097-U5
Dimension L	377	710	1097-U6

Telescopic cover stay AISI 304, push button AISI 303

Dimension L	213	382	1097-U5-PC
-------------	-----	-----	------------

Further parts see page  
 – Hinge for prominent door  
 – 2D Nut

Chapter 4  
 8E-120

9 Special catalogues

Info

1 Quarter turns



2 Rod controls

3 Locking systems

4 Hinges

5 Seals

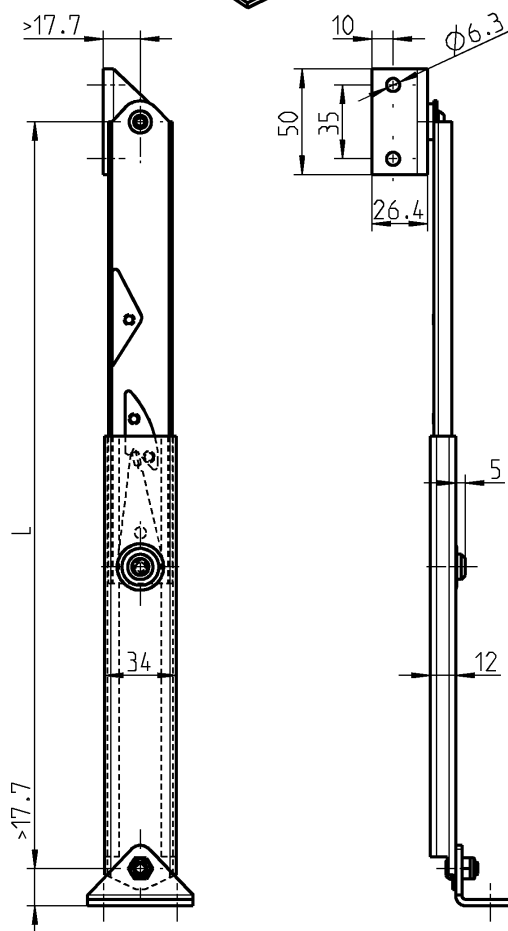
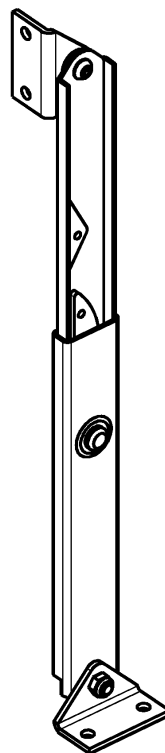
6 Handles

7 Aluminium windows

8 Miscellaneous

9 Special catalogues

Index



Further parts see page

- Hinge for prominent door Chapter 4
- 2D Nut 8E-120

Telescopic cover stay m.s. zinc-plated

	retracted	extended	
Dimension L	215	360	1097-U1
Dimension L	398	685	1097-U2

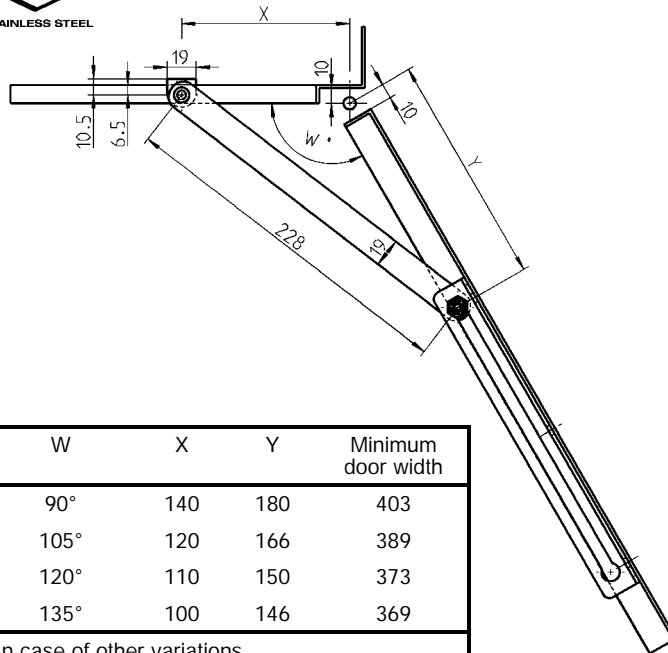
**8C-160**

(12C-160; 6A-190)





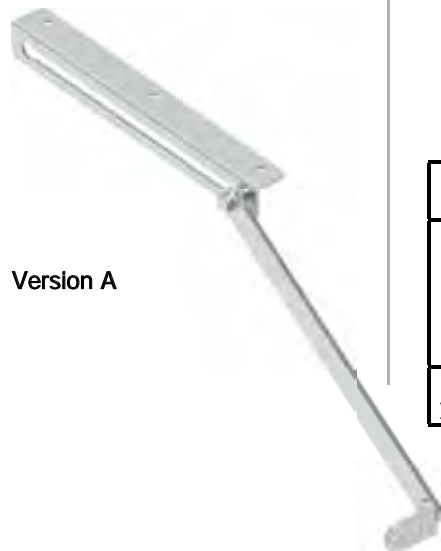
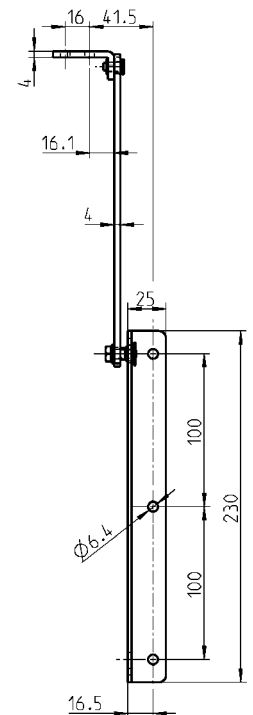
STAINLESS STEEL



W	X	Y	Minimum door width
90°	140	180	403
105°	120	166	389
120°	110	150	373
135°	100	146	369

In case of other variations  
y = x + >40

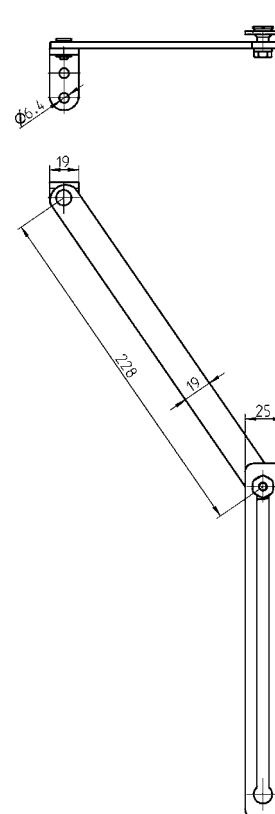
Version A



Version A



Version B



Version B

**Door stop m.s. zinc-plated**

Version A (2D nut possible)

1087-U1

Version B (2D nut possible)

1087-U4

**Door stop AISI 304, locking bush and rivet AISI 303**

Version A (2D nut possible)

1087-U1-PC

Further parts see page

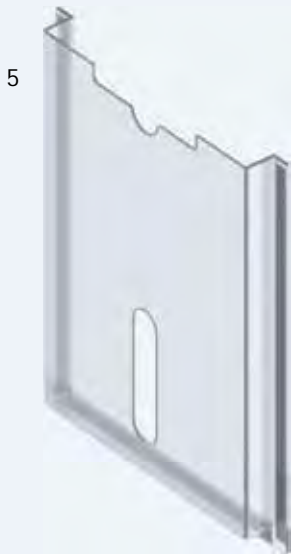
- Hinge for prominent door
- 2D Nut

Chapter 4  
8E-120



# Accessories

## Escutcheon, Panel mounting device, Cable shunting ring, Drawing pocket, Window



- |   |   |                  |
|---|---|------------------|
| 1 | Escutcheon, e.g. for profile half cylinder                  | 8D-120           |
| 2 | Panel mounting device for mounting plates, back panels etc. | 8D-220           |
| 3 | Cable shunting ring   | 8D-320           |
| 4 | Cable grommet   | 8D-320           |
| 5 | Drawing pocket glass clear                                  | 8D-420           |
| 6 | Drawing pocket, e.g. for size DIN A4                        | 8D-420           |
| 7 | Window  | 8D-520 to 8D-620 |

# 8D-100

Info

1 Quarter turns



2 Rod controls



3 Locking systems

4 Hinges

5 Seals



6 Handles

7 Aluminium windows

Small head = DIN ISO 2009,  
2010, 7046-1, 7046-2, 7047

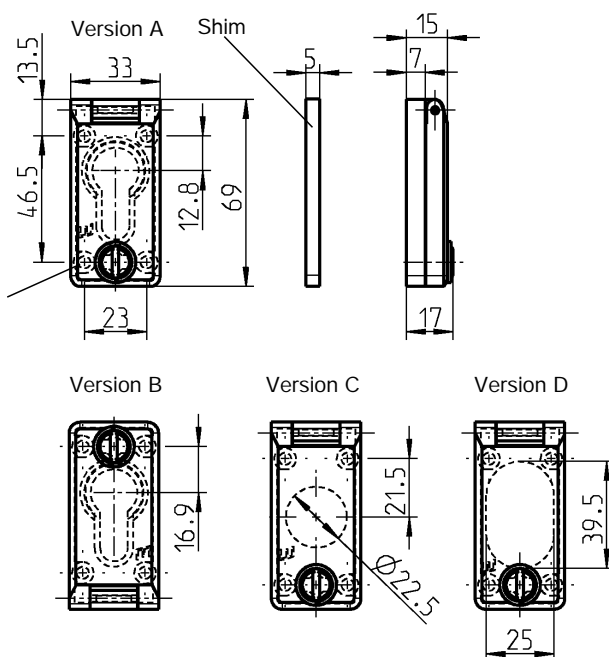
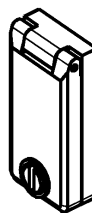
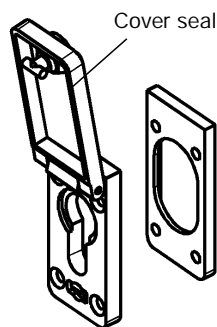
8 Miscellaneous

9 Special catalogues

Further parts see page  
– Suitable for rod control 2A-120  
2B-140

Index

**8D-120** 08/16  
(12D-120; 6A-330)

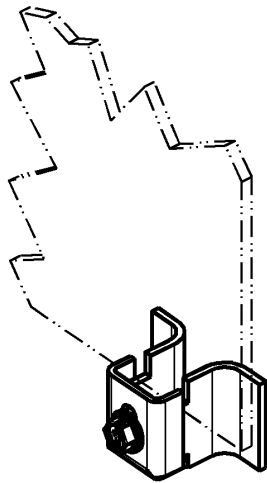


Bore hole for  
countersunk  
screw small  
head M4

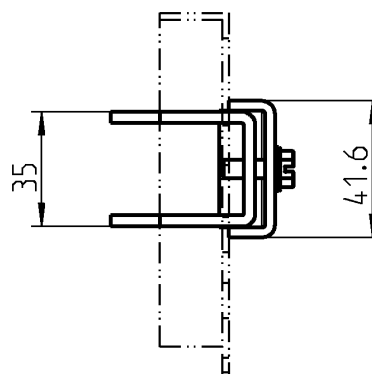
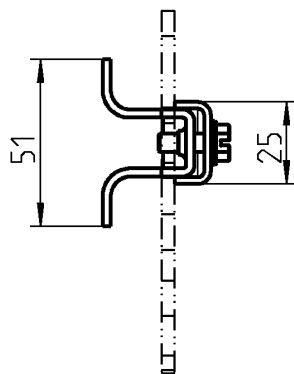
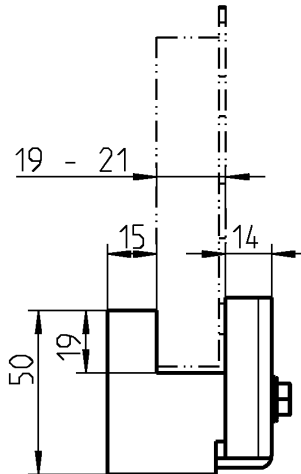
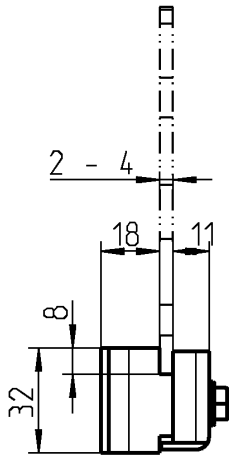
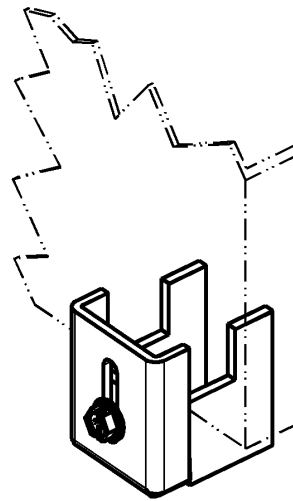
#### Escutcheon polyamide grey, RAL 7032

Version A for profile half cylinder	1072-U1	Version A for profile half cylinder, sealable	1072-U11
Version B for profile half cylinder	1072-U13	Version B for profile half cylinder, sealable	1072-U12
Version C with round hole Ø 22.5	1072-U15	Version C with round hole Ø 22.5, sealable	1072-U14
Version D with universal hole	1072-U16	Version D with universal hole, sealable	1072-U17
<b>Shim polyamide grey</b>			1072-01
<b>Bottom seal cell sponge rubber</b>			1072-02
<b>Cover seal</b>			1072-03

Version A



Version B



Panel mounting device m.s. zinc-plated, weld-on part m.s. raw

	Version A	Version B
	1051-U2	1051-U1

Info

1 Quarter turns

2 Rod controls

3 Locking systems

4 Hinges

5 Seals

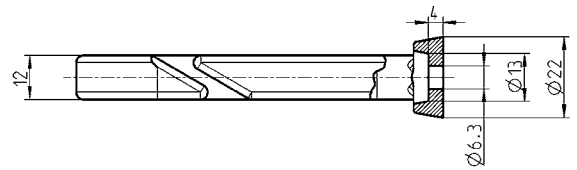
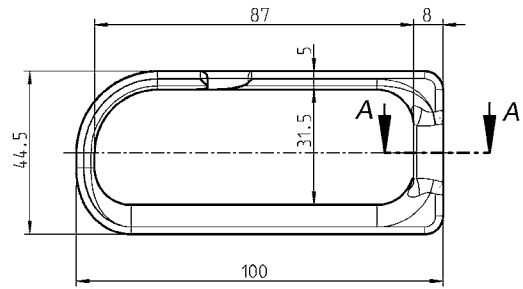
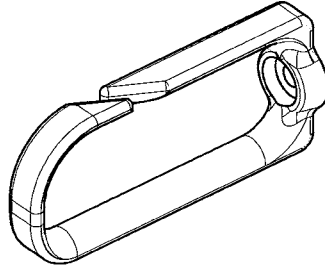
6 Handles

7 Aluminium windows

8 Miscellaneous

9 Special catalogues

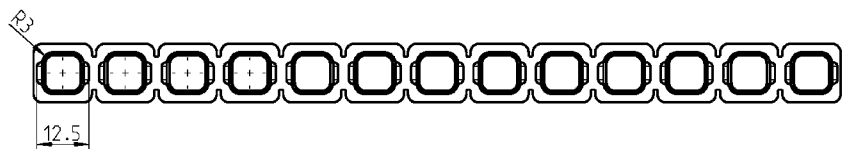
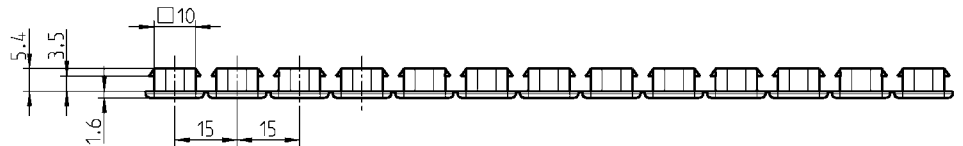
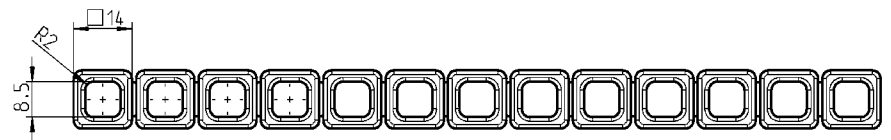
Index



Cable shunting ring PC+ABS-FR(40) black

for fixing screw M6

1071-01



Further parts see page  
– Electronic locking systems  
Special catalogue Electronics

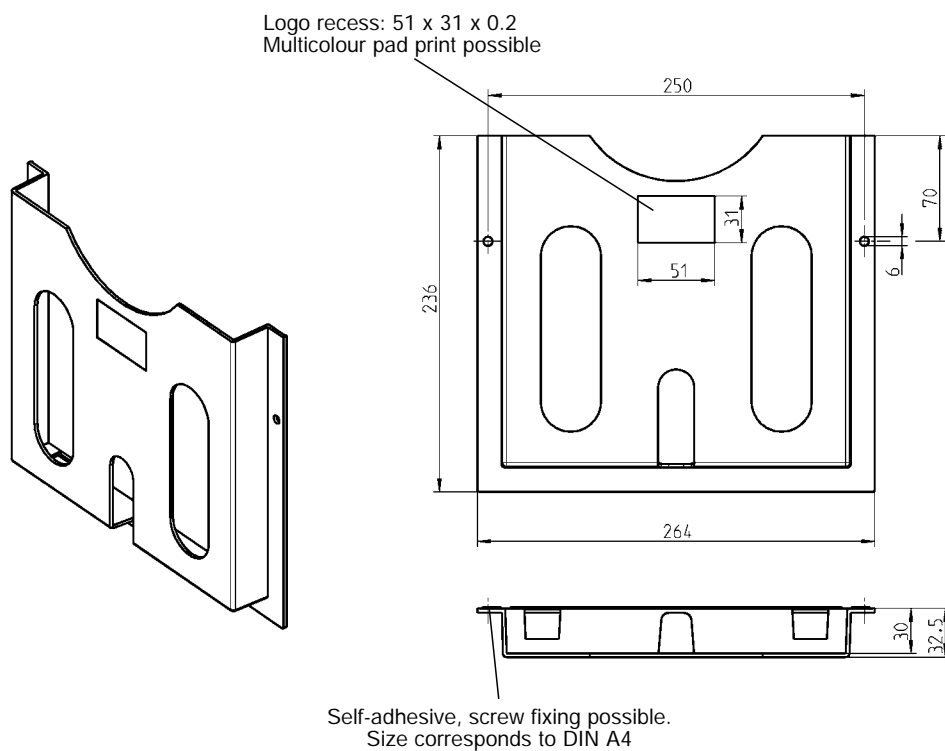
Cable grommet polyethylene PE-LD black

Strip with 13 pieces

1071-U1

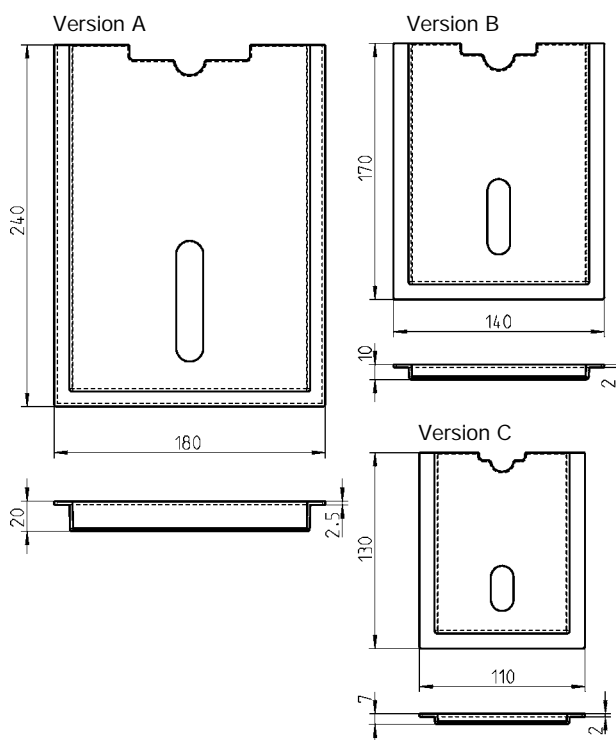
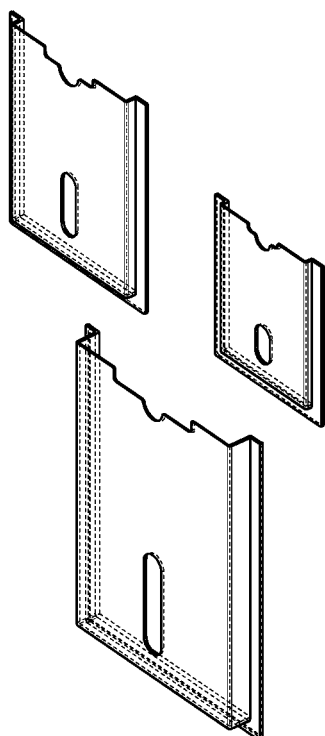
# Drawing pockets

## PROGRAM 1013



### Drawing pocket polystyrene impact-resistant, self-adhesive

grey	1013-U1
orange	1013-U2



### Drawing pocket SAN glass clear, self-adhesive

Version A	1013-U5
Version B	1013-U4
Version C	1013-U3



Info

1 Quarter turns



2 Rod controls

3 Locking systems

4 Hinges

5 Seals

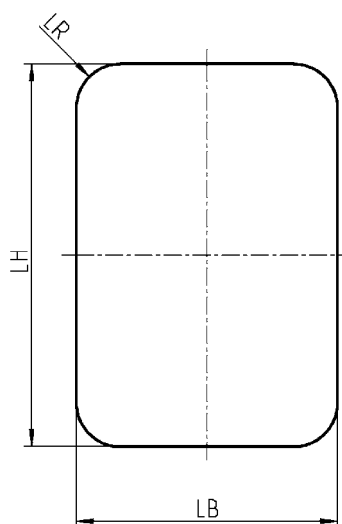
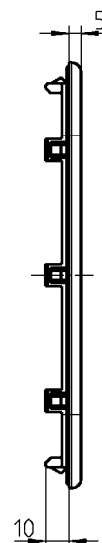
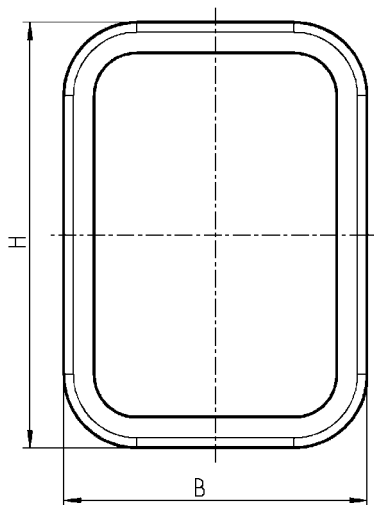
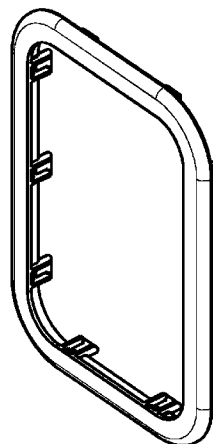
6 Handles

7 Aluminium windows

8 Miscellaneous

9 Special catalogues

Index



Cut out

Other sizes on request

#### Clip-in window angular polycarbonate glass clear, with seal

H	B	LH	LB	LR	Ts	
110	110	94.4	94.4	6	1.5	1250-U1
110	110	94.4	94.4	6	2	1250-U3
175	125	157.2	107.2	20	1.5	1250-U2

# Angular window

## PROGRAM 1250



1 Quarter turns

2 Rod controls

3 Locking systems

4 Hinges

5 Seals

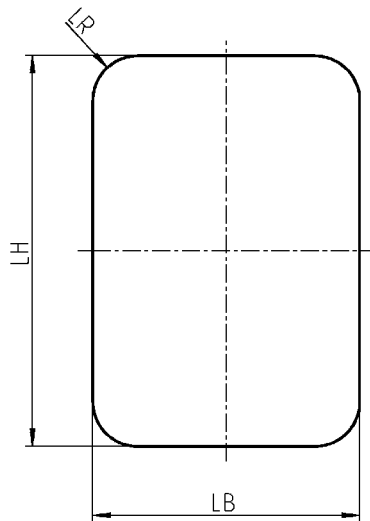
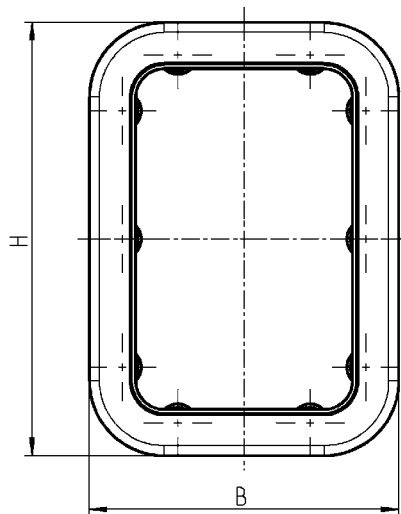
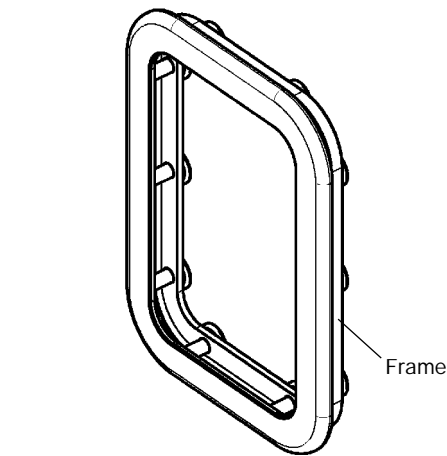
6 Handles

7 Aluminium windows

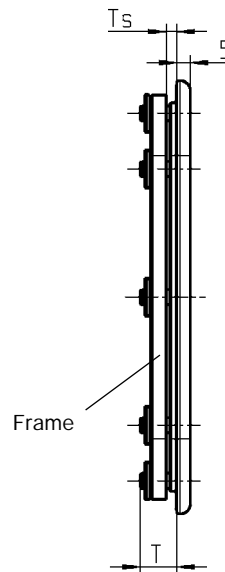
8 Miscellaneous

9 Special catalogues

Index



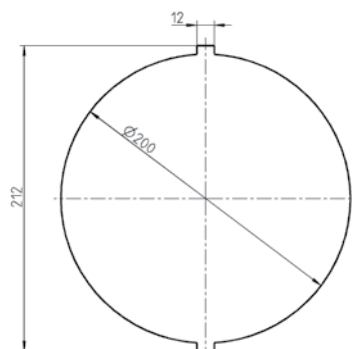
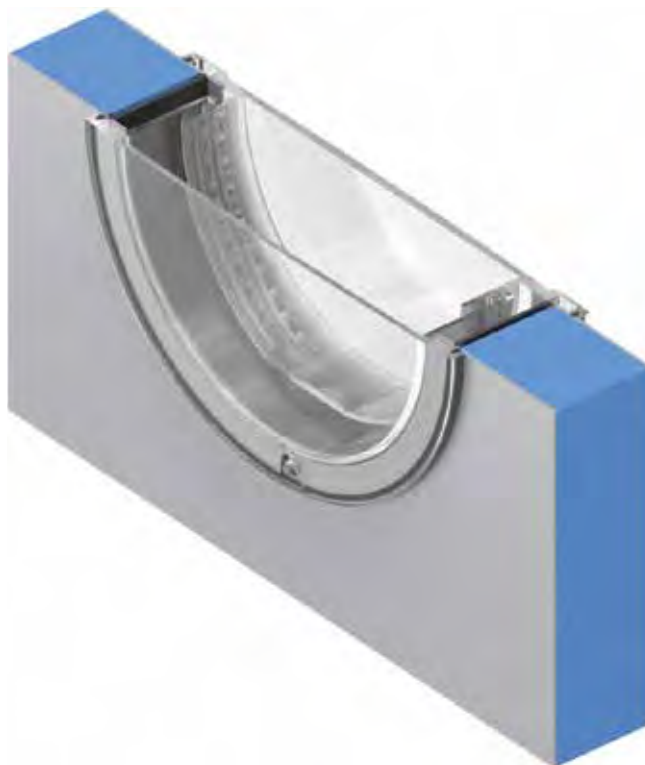
Cut out



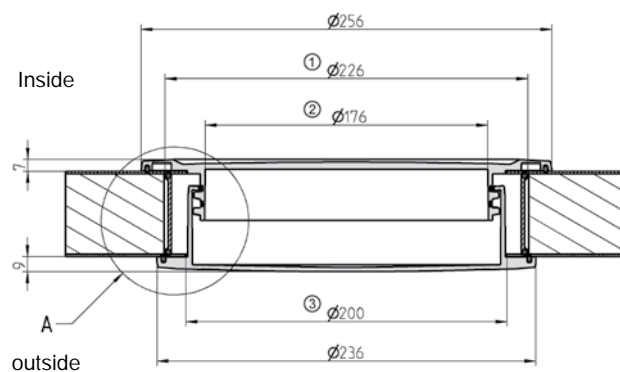
### Angular window polycarbonate glass clear, shaft clamping rings m.s. zinc-plated, with seal

H	B	T	LH	LB	LR	Ts	
<b>Angular window without frame</b>							
110	110	17	95.5	95.5	6	3 - 13	1250-U4
175	125	15	156.5	107	20	3 - 12	1250-U6
<b>Angular window with frame polycarbonate</b>							
110	110	17	95.5	95.5	6	< 5	1250-U5
175	125	15	156.5	107	20	< 6	1250-U7

Other sizes on request



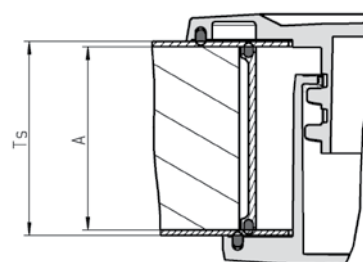
Cut out inside ③



② = visible area



Cut out outside ③



#### Round window polycarbonate glass clear, with seal

Ts = 30 - 40

1091-U172-30

Ts = 50 - 60

1091-U172-50

#### Support ring for round window polyamide black, with seal

① A = 30

1091-152-30G

① A = 40

1091-152-40G

① A = 50

1091-152-50G

① A = 60

1091-152-60G



# Fixing material

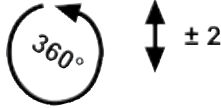


- |   |   |        |
|---|---|--------|
| 1 | 2D Nut, e.g. for hinge fixing                         | 8E-120 |
| 2 | Nut for Program 1000, 1001, 1022, 1102, 1103 and 1107 | 8E-140 |
| 3 | Circlips DIN 6799                                     | 8E-140 |
| 4 | Locking screw with and without stain coating          | 8E-160 |

# 8E-100



Cut out  
Ø 10



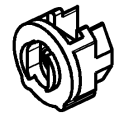
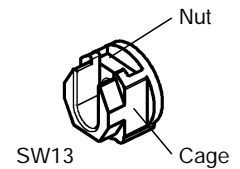
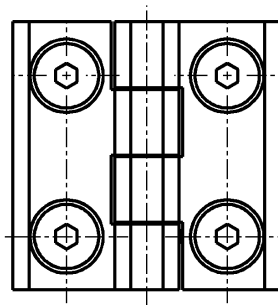
Mounting example:  
Catch



Mounting example:  
Hinge for flush door

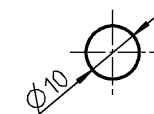
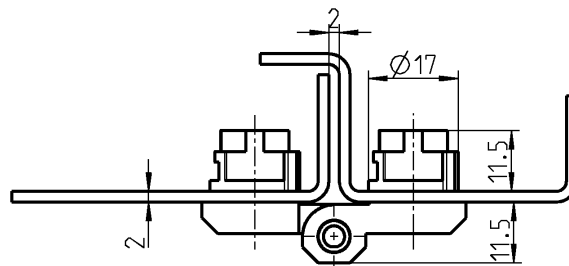


**Attention:**  
Each 2D nut is  
adjustable  $\pm 2$  mm  
in any direction.



Further parts see page

- Catch 3ZA-1220
- Hinge for prominent door 4A-138, 4A-140, 4A-170, 4A-210, 4A-215, 8B-180
- Hinge for flush door 4B-200, 4B-210, 4B-212, 4B-215, 4B-245, 4B-320
- Cover stay 8C-140, 8C-160, 8C-220



Cut out for 2D nut M6

- Advantage:**
1. No adjustability can be seen from the outside.
  2. With the 2D nut, you can convert any hinge or catch that attaches from front to back into a 2D hinge or 2D catch.

Other thread sizes  
on request

2D Nut cage zinc die zinc-plated; nut m.s. zinc-plated

M6 with SW 13

1056-U51

**8E-120**

(12E-120, 4B-205)

# Nut, Circlip

## PROGRAM UNIVERSAL

Nut



### Earth-safe screw-in quarter turn program

When using the illustrated earthing nut, the screw-in sash fastener complies with **VDE regulation 0660/Part 5**.

The earthing nut is provided with teeth and removes the lacquer coating in a limited area when tightened, thus ensuring metallic bonding.

Underlaid serrated washers are no longer sufficient for the paint qualities used today.

Earthing must be checked by a qualified electrician at the cabinet.



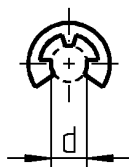
### Nut M16x1 for Program 1022

	Zinc die	m.s. zinc-plated
Nut	-	1022-05-JB
Earthing nut	1022-11-01KA	1022-11-JB

### Nut M22x1.5 for Program 1000

	m.s. zinc-plated	AISI 303	Polyamide GF
Nut	1000-02-JB	1000-02-PF	1000-02-SI
Earthing nut	1000-111-JB	-	-

Circlip



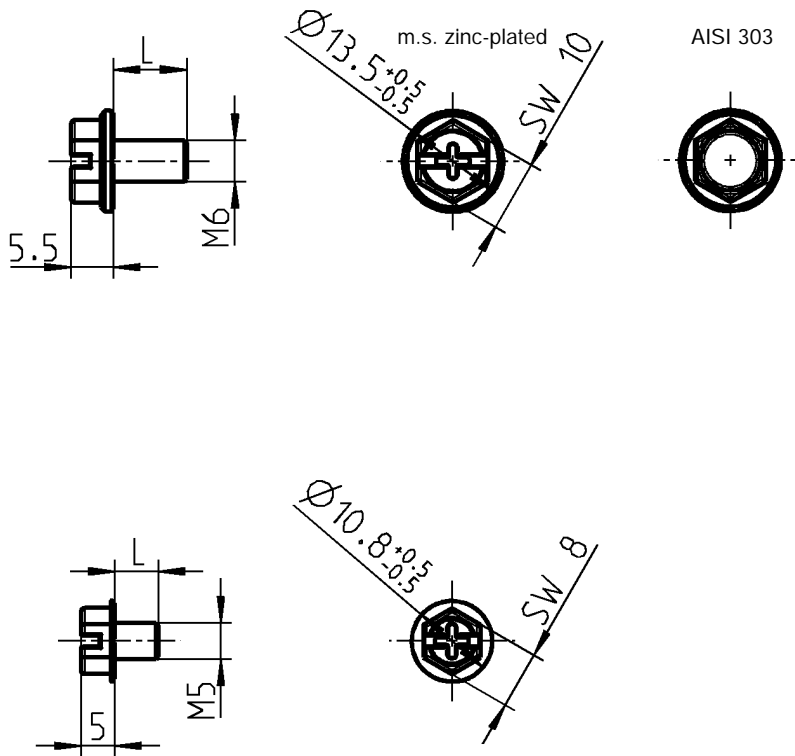
### Circlip DIN 6799

d	m.s. zinc-plated	AISI 303
4	000039	-
5	000042	000041
6	000048	-
8	000154	-



# Locking screw

## PROGRAM UNIVERSAL

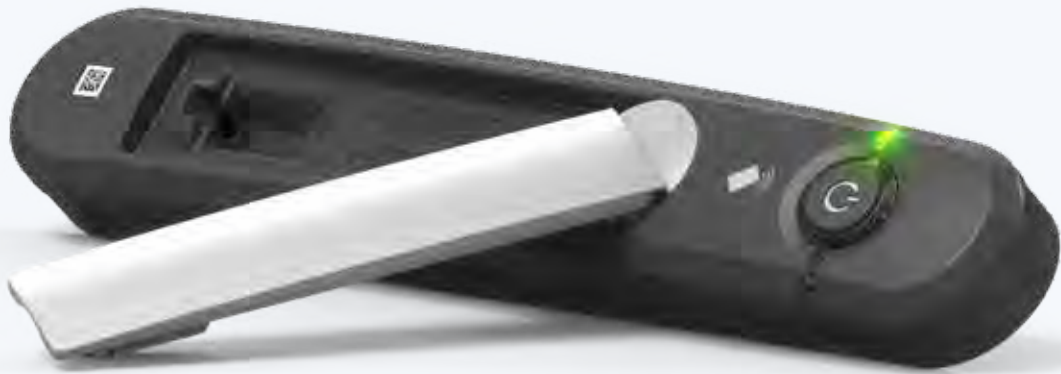


Locking screw with Phillips head, slot and hexagon (not for AISI 303)

M6xL	m.s. zinc-plated	m.s. zinc-plated spot-coated	AISI 303
6	1000-277-02JB	1000-277-02JC	-
8	1000-277-03JB	1000-277-03JC	-
10	1000-277-01JB	1000-277-01JC	1000-277-01PI
16	1000-277-11JB	1000-277-11JC	-
20	1000-277-04JB	1000-277-04JC	-
23	-	1000-277-13JC	-
25	1000-277-05JB	1000-277-05JC	-
30	1000-277-06JB	-	-
40	1000-277-07JB	-	-
50	1000-277-21JB	-	-
M5xL	m.s. zinc-plated		
6	1000-277-09JB		

# Special catalogue

## EMKA Electronics



You will find all electronic locking solutions in our 52-page special catalogue:

**Electronic Locking Systems  
for Cabinets and Housings**



**Download**



# Content



1 Electronic locks



2 Units / Control units



3 Sensors



4 Accessories



5 Software

# Electronic locking solutions

## Extract from the special catalogue

### Agent E Wireless

- Swinghandle with wireless communication
- Unique authentication via RFID cards
- Remote opening is always possible in addition
- Complete recording of results
- Installation in cabinets from different manufacturers via adapter
- Simplest installation without wiring
- For new systems and for retrofitting
- Extremely energy-efficient battery operation (battery life min. 3 years)



### Low power outdoor handle

- Securing passive enclosures (without own power supply)
- Extremely low power consumption (150 mA, standby 0 mA)
- Ideally suited for access control systems with battery operation or inductive power supply
- Integrated push button to activate the access control system
- Signalling of the handle status (OPEN / CLOSED)
- Resistance class RC2
- Optional locking cylinder for mechanical emergency opening

### Software EMKA Control Cockpit

- User Management
- System administration
- Real-time monitoring
- Configurable screen views
- Measured value storage
- Logging and analysis
- Remote access
- Integration into third party systems







### ePush Lock / Electromechanical flap lock

- Locking solution without visible components on the outside
- Opening and closing by pressing the flap / door
- No interruption of the outer sealing due to mounting on the inside
- Integrated emergency opening on the locking element
- Optional connection to the central locking system
- Usable as a building block for the alarm monitoring of the flap
- Distance adapter & protective cover (optionally available)
- German Innovation Award winner 2019
- Patented

### eCam / Electromechanical cam lock

- Universally usable electromechanical lock for all type of locks with cam
- Easy installation in new and existing systems
- Emergency opening via bowden cable (optional)
- Locking / Unlocking via Stand-Alone solution with keypad or RFID card reader
- Integrable into access controls or machine controls
- Certified as position switch according to EN ISO 14119 (machinery directive)
- Performance level d according to EN 13849



### Single-point latch

- Usable in various applications as a concealed lock
- Available in 4 different versions:
  - ▶ Direct closing
  - ▶ Delayed closing
  - ▶ Opening in case of power failure
  - ▶ Opening by control pulse
- Wide supply voltage range (9 ... 32 V)
- Switch for remote monitoring of status / door status
- Emergency opening via bowden cable (optional)
- Protection class up to IP 55
- Variant with approval UL508 Ex (UL HazLoc) available



You will find all electronic locking solutions in our 52-page special catalogue:

#### Electronic Locking Systems for Cabinets and Housings



Download



# Special catalogue

## Seals



All standard profiles as well as further information on the subject of seals can be found in our 108-page special catalogue:

**Sealing Technology made to measure - Profiles and Frames from In-House Production**



**Download**



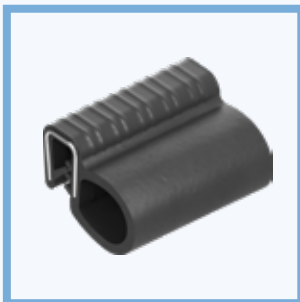
# Content



## 1 Profiles for industrial applications



## 2 Profiles made of fire protection material



## 3 Profiles according to VDI guideline 6022



## 4 Profiles for the food industry

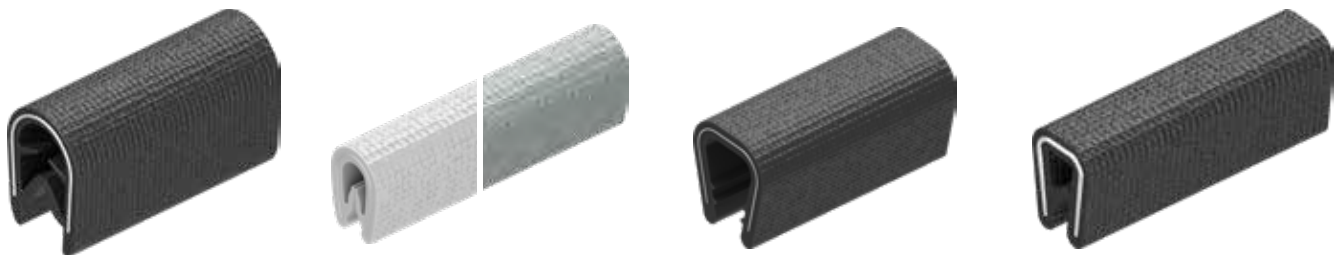
Medium	Naturkautschuk (NR, SBR)	Polysulfid-Kautschuk (PS)	Butylkautschuk (BR)	Acrylnitril-Propylen-Kautschuk (EPDM, EPDM)
Acetaldehyd	3	2	1	2
Aceton	3	-	1	1
Acetylaceton	4	4	1	1
Acetylen gas	1	1	1	1
Acrylnitril	2	4	1	1
Acrylsäureethylester: s. Acethylacrylat				
Adipinsäure	1	-	1	1
Adipinsäurediethylester	3	-	1	1
Äthanol(gas)	4	1	-	4
Äthanol: s. Acethylalkohol				

## 5 Resistance list

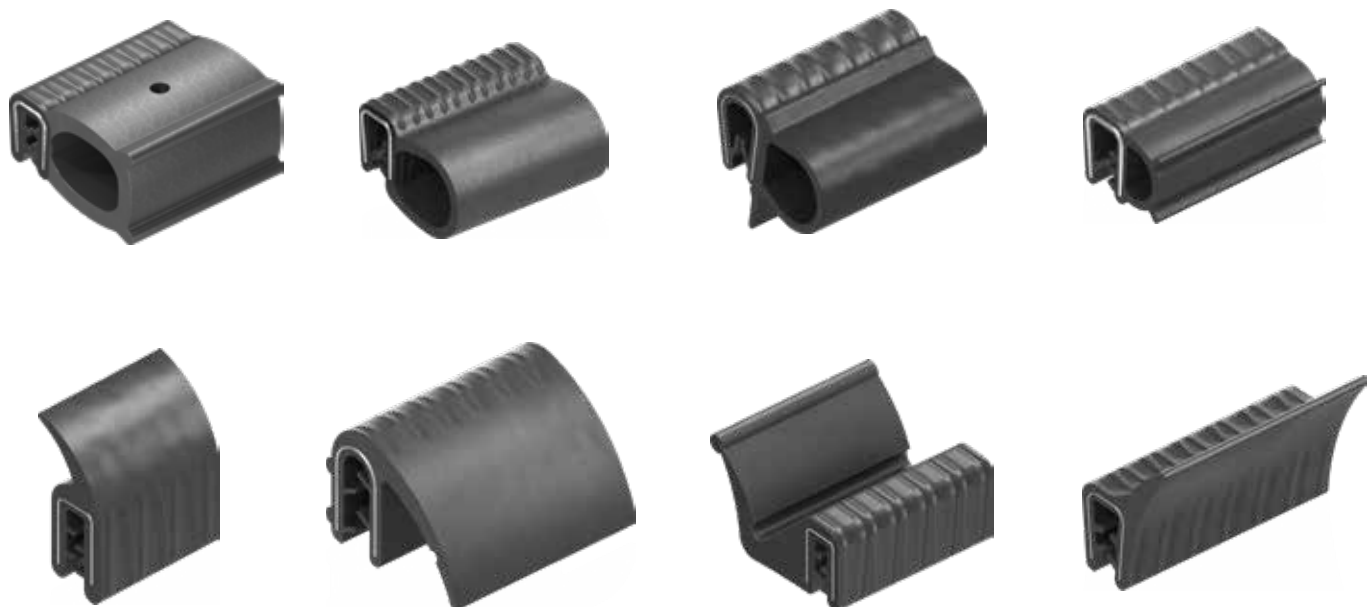
# Seals

## Extract from the special catalogue

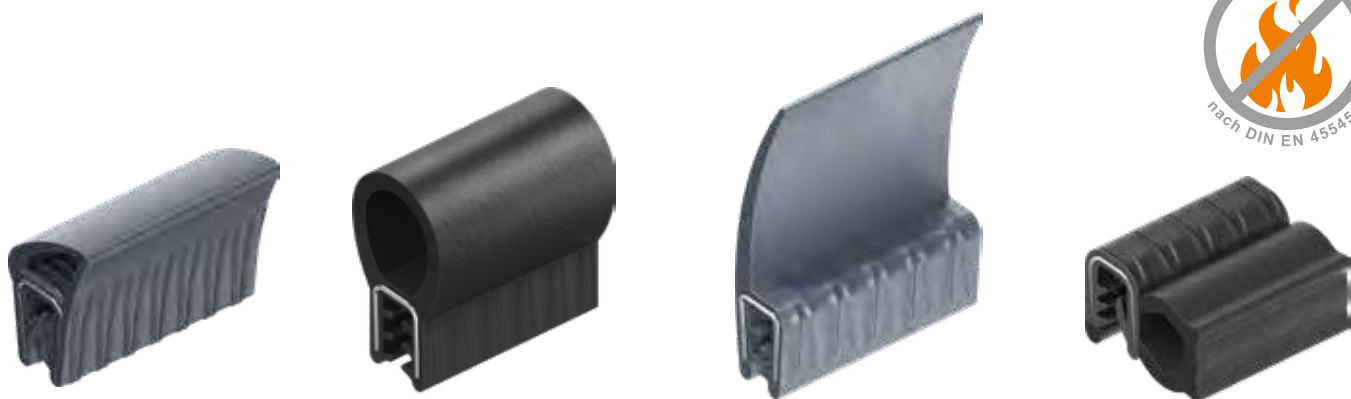
### Edge protection profiles



### Self-clamping sealing profiles

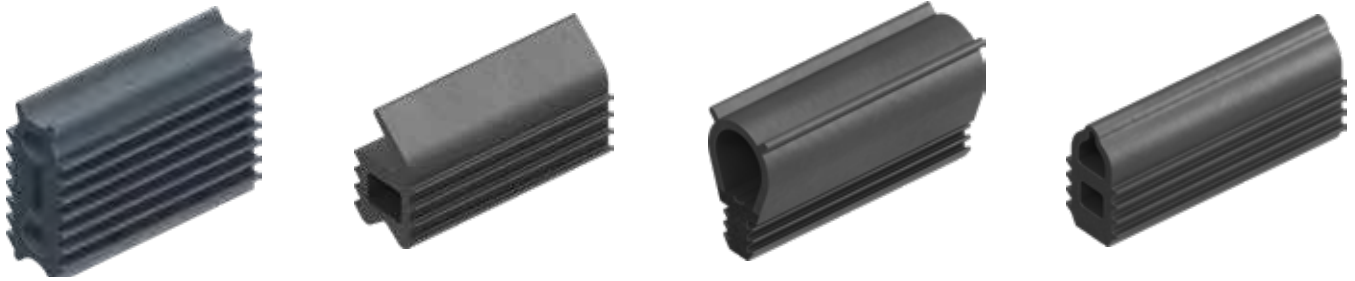


### Self-clamping sealing profiles made of fire protection material

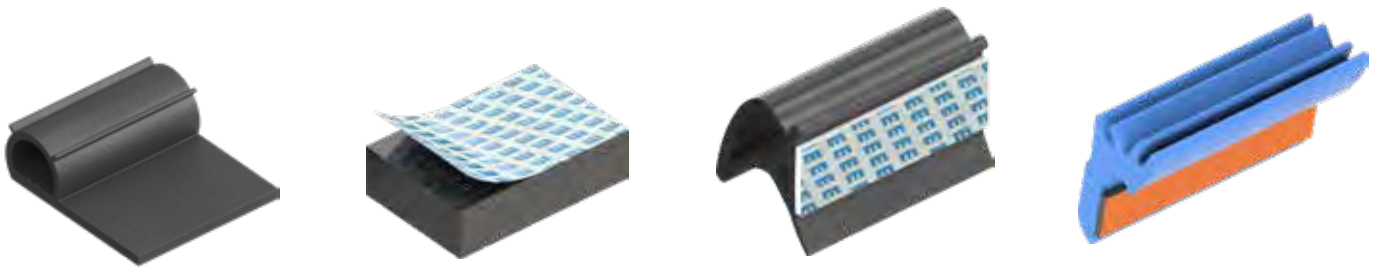


Info  
1 Quarter turns  
2 Rod controls  
3 Locking systems  
4 Hinges  
5 Seals  
6 Handles  
7 Aluminium windows  
8 Miscellaneous  
9 Special catalogues  
Index

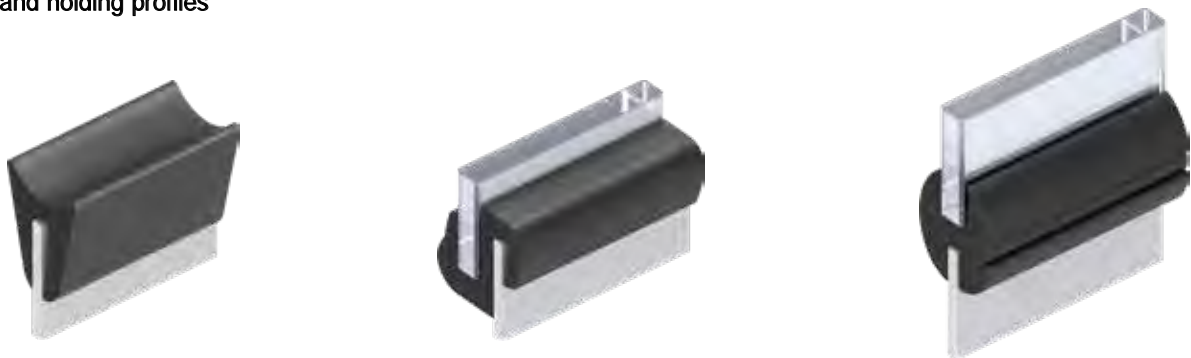
## U-section profiles



## Profiles with adhesive tape



## Clamping and holding profiles



All standard profiles as well as further information on the subject of seals can be found in our 108-page special catalogue:

**Sealing Technology made to measure - Profiles and Frames from In-House Production**



**Download**



# Special catalogue

## Toggle latches / Cylinder quarter turns



All toggle latches and cylinder quarter turns as well as other products can be found in the special catalogs of STRENGER GmbH:



**STRENGER**  
Cylinder quarter turns



**STRENGER**  
Toggle latches and handles

Download



## STRENGER

### A member of the EMKA Group

---

STRENGER is the reliable partner when it comes to progressive locking solutions for buildings.

STRENGER develops and manufactures products for a wide range of plastic, wood, metal and glass applications, from simple latches to complex locking mechanisms.

Whatever project has to be realized; from STRENGER there is the right product for every demand. As one of the leading manufacturer of latches in Europe with meanwhile 175 years of experience, STRENGER offers an extensive standard program as well as custom-made products for many fields of application.

The technical know-how and the quality of "Made in Europe" also makes STRENGER an internationally sought-after specialist.



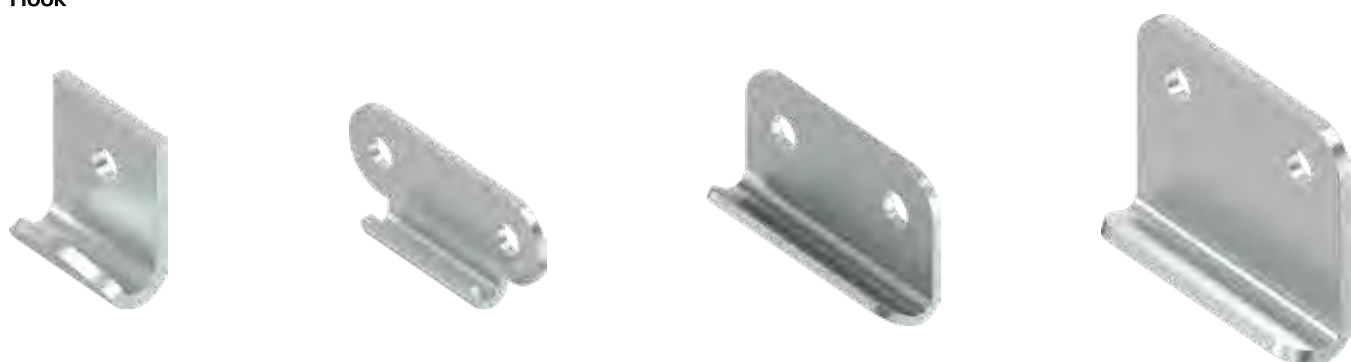
# Toggle latches / Cylinder quarter turns

## Extract from the special catalogue

### Toggle latches



### Hook

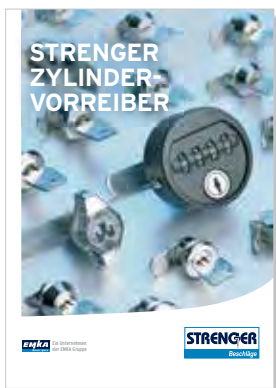




## Cylinder quarter turns



All toggle latches and cylinder quarter turns as well as other products can be found in the special catalogs of STRENGER GmbH:



**STRENGER**  
Cylinder quarter turns



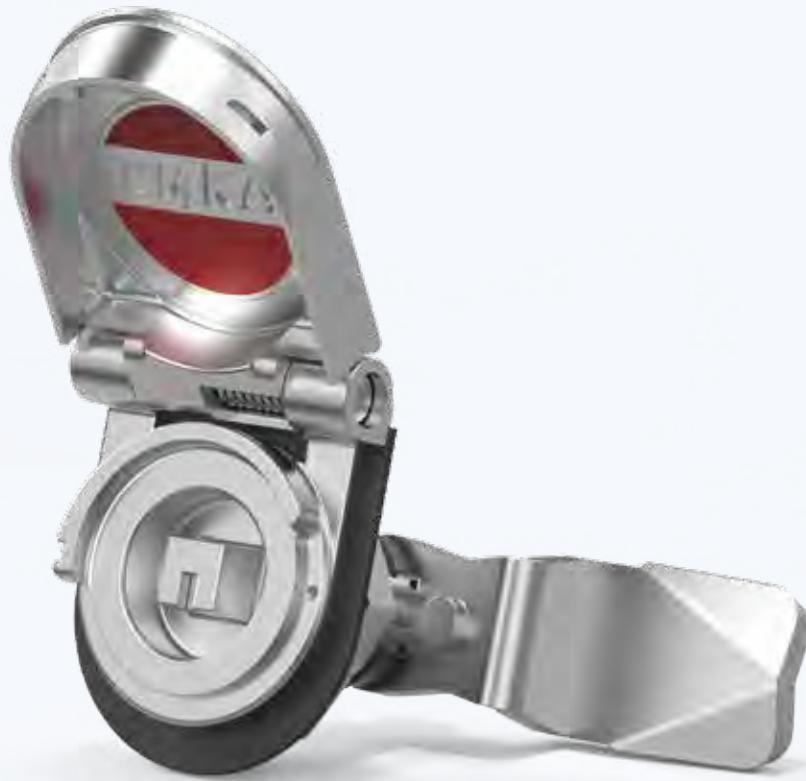
**STRENGER**  
Toggle latches and handles

Download



# Special catalogue

## Railway vehicles



All products for railway vehicles can be found in our 140-page special catalogue:

**Ingenious Locking Technology for the Railway Industry**



**Download**



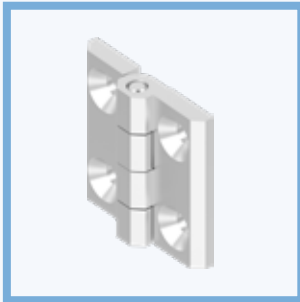
# Content



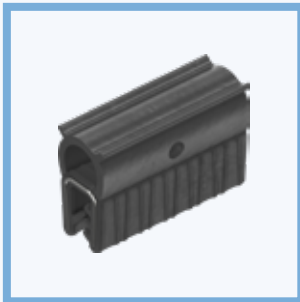
## 1 Locks and Latches



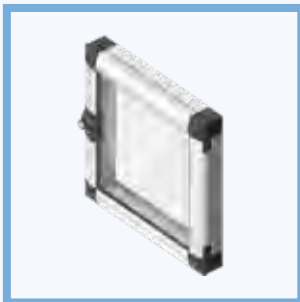
## 2 Locking systems



## 3 Hinges



## 4 Sealing Profiles and Edge Protection



## 5 Accessories

# Products for railway vehicles

## Extract from the special catalogue

### Compression latch with optical opening indicator

- Opening indicator through upright cover, optionally with red pad printing
- When the compression latch is open, the cover stops at approx. 90°
- Cover can be opened up to 180° if required
- Compression distance: 6 mm
- Fire protection tested acc. to DIN EN 45545-2, E30
- Tamper and vibration proof acc. to DIN EN 61373
- Protection class IP 69K



### Hybrid compression latch

- Combination of stainless steel and aluminum
- Weight savings approx. 30%
- Attractive price advantages
- Fire protection tested acc. to DIN EN 45545-03, E20
- Designed to be vibration-proof acc. to DIN EN 61373
- Protection class IP 65
- Various inserts available (square, triangular, railway, etc.)



### Stainless steel compression latch with red - green marking

- Insert and head sharpened and high polished available
- Tamper and vibration-proof
- Right-hand and left-hand version available
- Red - green marking
- Can be combined with dust cap



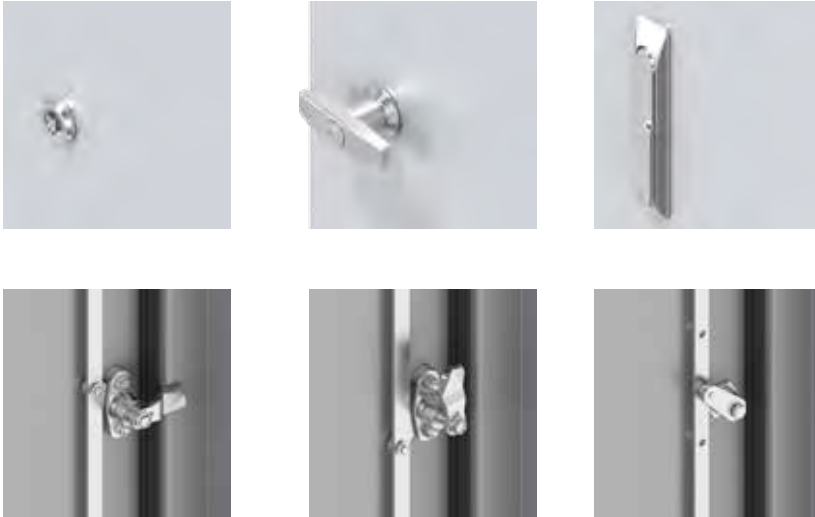
### Flat swinghandle with locking set

- Flat design
- Easy exchangeable locking unit inserts (locking sets)
- Suitable for standard cut out
- Pre-assembled swinghandle and dish
- Permanent magnet holds the cylinder cover
- Integrated scratch protection prevents surface damage (handle / dish)
- Swinghandle, locking sets and adapter for cam made of zinc die
- Patent submitted



## Compression latch system for swinghandles and quarter turns

- Compression function
- Latch and cut out independent for compression latch system
- Corner guide can be used for additional latches in transverse installation
- High closing comfort
- Patented



## Fire protection seals - also as ring, corner, frame

- Flame retardant for more safety
- Profile geometry also individually according to customer requirements
- Readily customized frames and rings according to customer specifications possible
- Reliable top quality from in-house production in Europe



All products for railway vehicles can be found in our 140-page special catalogue:

**Ingenious Locking Technology for the Railway Industry**



Download



# Special catalogue

## HVACR



You can find all products for the HVACR industry in our 120-page special catalogue:

**Ingenious Locking Technology for HVACR systems according to VDI 6022**



Download



# Content



1 Locks and Latches



2 Hinges



3 Seals



4 Accessories

# Products for the HVACR sector

## Extract from the special catalogue

### Modular locking system

- New modular handle with ergonomic design
- Suitable for doors opening inwards and outwards
- Suitable for various door thicknesses (25 - 110 mm)
- Fits 2 standard cut outs (13 mm, 19 mm)
- Interchangeable locking sets for external or internal locking (blind plug, round cylinder, square, other inserts on request)
- Adjustable roller cam
- Adjustable eccentric roller
- Removable handle, e.g. for transport
- Meets the industry-specific national and international standards
- Conforms with the entire EMKA program
- Material: Polyamide with glass fibre (VDI 6022 / ISO 846 compliant materials)
- Air Tightness class L1-L3 possible
- Protected design



### Modular door lock with inside handle

- New modular locking system especially for use on large doors (>1.6 m door height)
- Various inserts and handle options in combination with different cams possible (stepped cam, pressure relief cam, etc.)
- System for various door thicknesses available (50 mm - 60 mm)
- Also available as a version without inside handle
- VDI 6022 / ISO 846 compliant materials on the inside of the door

### 3D Unit connector

- 3D positioning through spherical shaping with max.
  - X-axis 7 mm
  - Y-axis 3 mm
  - Z-axis 5 mm
- Fixing by M6 cylinder screws or riveted bolts possible
- Cylinder screw included
- Industry standard mounting dimensions
- Covering cap optionally available
- VDI 6022 / ISO 846 compliant materials





## Latch-Hinge

- When the door is closed, the latch is adjustable (3 mm) to achieve perfect alignment
- The favourable pivot point of the handle makes a seal compression of 5 mm possible using low actuation forces
- Door or panel can be removed by unlatching the handles on both sides
- 3D adjustable (tolerance compensation)
- Latch hinge can be mounted as one piece with the door / flap in place
- Right or left hinged
- Hinge 180° opening angle
- Optional available with safety function "pressure relief"



Compression Latch-Hinge small



Compression Latch-Hinge medium



Compression Latch-Hinge large



### Seals according to VDI 6022 - also as ring, corner, frame

- Higher functionality when sealed with sponge rubber in the hose area
- Do not provide any breeding ground for microorganisms
- Easy to clean
- Moisture resistant
- Odourless



You can find all products for the HVACR industry in our 120-page special catalogue:

### Ingenious Locking Technology for HVACR systems according to VDI 6022



Download



# Special catalogue

## Commercial vehicles / Caravan



All products for commercial vehicles / caravan can be found in our 164-page special catalogue:

**Ingenious Locking Technology  
for Mobile Homes, Buses and Trailers**



Download



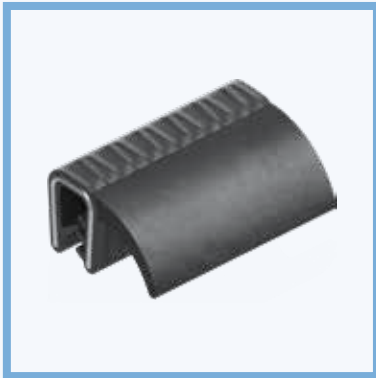
# Content



1 Locks and Latches



2 Hinges



3 Seals



4 Accessories

# Products for Commercial vehicles / Caravan

## Extract from the special catalogue

### Compression latch 'Double Red'

- Compression latch with two visual opening indicators in red
- Two new, cost-optimized variants of the well-known compression latch 'Double-Red' by omitting of the opening indicators
  - ▶ Variant in white for a special look
  - ▶ Variant in black made of ECO material
- Rotary handle can only be locked in the closed position
- Robust solution for many years of use
- Tamper and vibration-proof acc. to DIN EN 61373
- Patented



Basic  
ECO black



Basic white  
(UV-stabilised)



'Double Red'  
with visual opening indicators

### Retractable T-handle

- Flush lock with modern design
- Ergonomic haptics and comfortable handle size (can also be operated with gloves)
- Optical opening indicator by handle position
- Wide range of locking sets (standard cam, roller cam, hook cam, rotary latch, etc.)
- Numerous, easily exchangeable inserts (round cylinder, square, double bit, slot, etc.)
- Compression function
- Suitable for all common door thicknesses
- Protection class IP 65 and optional dust cap for round cylinder



### ePush Lock / Electromechanical flap lock

- Locking solution without visible components on the outside
- Opening and closing by pressing the flap / door
- No interruption of the outer sealing due to mounting on the inside
- Integrated emergency opening on the locking element
- Optional connection to the central locking system
- Usable as a building block for the alarm monitoring of the flap
- Distance adapter & protective cover (optionally available)
- German Innovation Award winner 2019
- Patented



### 180° Gear hinge

- High quality gear hinge
- Economic structure and design
- Compact construction
- Concealed, not visible
- Opening angle 180°
- Right and left usable
- For doors / flaps up to 40 kg (when using 4 hinges)
- System related, small clearance
- Fixing function optional
- Maintenance-free
- Patented

### Emergency hammer

- Emergency hammer in three variants:
  - ▶ Emergency hammer Basic
  - ▶ Emergency hammer with hand protection
  - ▶ Emergency hammer with hand protection and belt cutter
- Holder in two versions:
  - ▶ Basic
  - ▶ Holder with hidden anti-theft protection
- Uniform cut out of the holders (Basic and with integrated anti-theft protection)
- Glass fibre reinforced plastic
- Hardened steel tip, destroys tempered and laminated glass as well as insulating glass



### Seals - also as ring, corner, frame

- More than 1,500 standard sealing profiles
- Profile geometry also individually according to customer requirements
- Readily customized frames and rings according to customer specifications possible
- Reliable top quality from in-house production in Europe



All products for commercial vehicles / caravan can be found in our 164-page special catalogue:

#### Ingenious Locking Technology for Mobile Homes, Buses and Trailers



## Beschlagteile

Info

1 Quarter turns

2 Rod controls

3 Locking systems

4 Hinges

5 Seals

6 Handles

7 Aluminium windows

8 Miscellaneous

9 Special catalogues

Index

Part no.	Catalogue page	Part no.	Catalogue page	Part no.	Catalogue page	Part no.	Catalogue page
000039	8E-140	1000-22	1B-820	1000-53	3YB-440	1000-277-01JB	1C-125
000041	8E-140	1000-22	1C-120	1000-53	3ZD-240	1000-277-01JC	8E-160
000042	8E-140	1000-22	3ZD-240	1000-54	1B-820	1000-277-01PI	8E-160
000048	8E-140	1000-23	1B-140	1000-54	1C-120	1000-277-02JB	8E-160
000104	3ZA-340	1000-23	1B-160	1000-54	3YA-820	1000-277-02JC	8E-160
000154	8E-140	1000-23	1B-360	1000-54	3YA-840	1000-277-03JB	8E-160
		1000-23	1B-760	1000-54	3YB-440	1000-277-03JC	8E-160
1000-02-JB	8E-140	1000-23	1B-840	1000-54	3ZD-240	1000-277-04JB	8E-160
1000-02-PF	8E-140	1000-23	1B-860	1000-55	1B-820	1000-277-04JB	1C-360
1000-02-SI	8E-140	1000-23	1B-940	1000-55	1C-120	1000-277-04JC	8E-160
1000-04	2A-120	1000-23	1C-320	1000-55	3YA-820	1000-277-05JB	8E-160
1000-05	2A-120	1000-23	2A-120	1000-55	3YA-840	1000-277-05JC	8E-160
1000-06	2A-120	1000-24	1B-140	1000-55	3YB-440	1000-277-06JB	8E-160
1000-07	2A-120	1000-24	1B-160	1000-55	3ZD-240	1000-277-07JB	8E-160
1000-08	2A-120	1000-24	1B-360	1000-56	1B-820	1000-277-09JB	8E-160
1000-09	2A-120	1000-24	1B-760	1000-56	1C-120	1000-277-11JB	8E-160
1000-10	1C-120	1000-24	1B-840	1000-56	3YA-820	1000-277-11JC	8E-160
1000-10	3YA-820	1000-24	1B-860	1000-56	3YA-840	1000-277-13JC	8E-160
1000-10	3YA-840	1000-24	2A-120	1000-56	3YB-440	1000-277-21JB	8E-160
1000-10	3YB-440	1000-25	1B-820	1000-56	3ZD-240	1000-293	3YB-440
1000-10	3ZD-240	1000-25	1C-120	1000-59	2A-120	1000-294	3YB-440
1000-11	1B-820	1000-25	3YA-820	1000-61	1C-160	1000-295	3YB-440
1000-11	1C-120	1000-25	3YA-840	1000-64	2A-120	1000-296	3YB-440
1000-11	3YA-820	1000-25	3YB-440	1000-91	1C-160	1000-297	3YB-440
1000-11	3YA-840	1000-25	3ZD-240	1000-93	1C-160	1000-298	3YB-440
1000-11	3YB-440	1000-26	1B-820	1000-97-01	1C-320	1000-299	3YB-440
1000-11	3ZD-240	1000-26	1C-120	1000-97-02	1C-340	1000-300	3YB-440
1000-12	1B-820	1000-26	3YA-820	1000-111-JB	8E-140	1000-301	3YB-440
1000-12	1C-120	1000-26	3YA-840	1000-112	1B-340	1000-302	3YB-440
1000-12	3YA-820	1000-26	3YB-440	1000-112	1B-820	1000-303	3YB-440
1000-12	3YA-840	1000-26	3ZD-240	1000-112	1C-120	1000-304	3YB-440
1000-12	3YB-440	1000-27	1B-340	1000-112	3ZD-240	1000-305	3YB-440
1000-12	3ZD-240	1000-27	1B-820	1000-113	1B-340	1000-306	3YB-440
1000-13	1B-340	1000-27	1C-120	1000-113	1B-820	1000-307	3YB-440
1000-13	1B-820	1000-27	3YA-820	1000-113	1C-120	1000-308	3YB-440
1000-13	1C-120	1000-27	3YA-840	1000-113	3ZD-240	1000-309	3YB-440
1000-13	3YA-820	1000-27	3YB-440	1000-114	1C-620	1000-310	3YB-440
1000-13	3YA-840	1000-27	3ZD-240	1000-114	3ZB-120	1000-311	3YB-440
1000-13	3YB-440	1000-27	4A-280	1000-115	1C-620	1000-352	2A-120
1000-13	3ZD-240	1000-28	1B-340	1000-115	3ZB-120	1000-358	1C-320
1000-14	1B-340	1000-28	1B-820	1000-127	1B-240	1000-358-01	1C-320
1000-14	1B-820	1000-28	1C-120	1000-179	1C-120	1000-359	1C-320
1000-14	1C-120	1000-28	3YA-820	1000-179	3ZD-240	1000-386-18	1B-160
1000-14	3YA-820	1000-28	3YA-840	1000-179-PD	1C-120	1000-386-18	1C-120
1000-14	3YA-840	1000-28	3YB-440	1000-179-PD	3ZD-240	1000-386-20	1B-160
1000-14	3YB-440	1000-28	3ZD-240	1000-180	1C-120	1000-386-20	1C-120
1000-14	3ZD-240	1000-33	1C-620	1000-180	3ZD-240	1000-386-22	1B-160
1000-15	1B-340	1000-33	3ZB-120	1000-180-PD	1C-120	1000-386-22	1C-120
1000-15	1B-820	1000-34	1C-620	1000-180-PD	3ZD-240	1000-386-24	1B-160
1000-15	1C-120	1000-34	3ZB-120	1000-211-L	1C-620	1000-386-24	1C-120
1000-15	3YA-820	1000-35	1C-620	1000-211-L	3ZB-120	1000-386-28	1B-160
1000-15	3YA-840	1000-35	3ZB-120	1000-221	1C-120	1000-386-28	1C-120
1000-15	3YB-440	1000-36	1C-620	1000-221	3ZD-240	1000-386-30	1B-160
1000-15	3ZD-240	1000-36	3ZB-120	1000-221-PD	1C-120	1000-386-30	1C-120
1000-16	1B-340	1000-37	1C-620	1000-221-PD	3ZD-240	1000-387	1B-240
1000-16	1B-820	1000-37	3ZB-120	1000-223	1C-120	1000-456-AA	1C-360
1000-16	1C-120	1000-38	1C-620	1000-223	3ZD-240	1000-456-JB	1C-360
1000-16	3YA-820	1000-38	3ZB-120	1000-223-PD	1C-120	1000-460	1C-340
1000-16	3YA-840	1000-39	1C-620	1000-223-PD	3ZD-240	1000-476	1C-137
1000-16	3YB-440	1000-39	3ZB-120	1000-225	1C-120	1000-477	1C-137
1000-16	3ZD-240	1000-48	1C-180	1000-225	3ZD-240	1000-478	1C-137
1000-17	1B-340	1000-49	1C-180	1000-225-PD	1C-120	1000-488-AA	8A-222
1000-17	1B-820	1000-50	1B-340	1000-225-PD	3ZD-240	1000-488-AA	8A-224
1000-17	1C-120	1000-50	1B-820	1000-227	1C-120	1000-488-AA	8A-230
1000-17	3YA-820	1000-50	1C-120	1000-227	3ZD-240	1000-488-AA	8A-232
1000-17	3YA-840	1000-50	3YA-820	1000-227-PD	1C-120	1000-510-01AA	1C-170
1000-17	3YB-440	1000-50	3YA-840	1000-227-PD	3ZD-240	1000-526-AA	3ZB-180
1000-17	3ZD-240	1000-50	3YB-440	1000-228	1C-120	1000-551	1B-180
1000-18	1B-340	1000-50	3ZD-240	1000-228	3ZD-240	1000-551-01	1B-180
1000-18	1B-820	1000-51	1B-820	1000-228-PD	1C-120	1000-551-02	1B-180
1000-18	1C-120	1000-51	1C-120	1000-228-PD	3ZD-240	1000-556-KA	1C-125
1000-18	3ZD-240	1000-51	3YA-820	1000-229	1C-120	1000-590	1B-170
1000-19	1B-340	1000-51	3YA-840	1000-229	3ZD-240	1000-590-CX	1B-170
1000-19	1B-820	1000-51	3YB-440	1000-229-PD	1C-120	1000-591	1B-170
1000-19	1C-120	1000-51	3ZD-240	1000-229-PD	3ZD-240	1000-591-CX	1B-170
1000-19	3ZD-240	1000-52	1B-820	1000-230	1C-120	1000-593	1B-170
1000-20	1B-340	1000-52	1C-120	1000-230	3ZD-240	1000-593-CX	1B-170
1000-20	1B-820	1000-52	3YA-820	1000-230-PD	1C-120	1000-594	1B-170
1000-20	1C-120	1000-52	3YA-840	1000-230-PD	3ZD-240	1000-594-CX	1B-170
1000-20	3ZD-240	1000-52	3YB-440	1000-232	1C-120	1000-595	1B-170
1000-21	1B-340	1000-52	3ZD-240	1000-244	1B-240	1000-595-CX	1B-170
1000-21	1B-820	1000-53	1B-820	1000-264	1C-380	1000-597	1B-170
1000-21	1C-120	1000-53	1C-120	1000-265	1C-380	1000-597-CX	1B-170
1000-21	3ZD-240	1000-53	3YA-820	1000-266	1C-380	1000-598	1B-170
1000-22	1B-340	1000-53	3YA-840	1000-277-01JB	8E-160	1000-598-CX	1B-170

Part no.	Catalogue page	Part no.	Catalogue page	Part no.	Catalogue page	Part no.	Catalogue page
1000-599	1B-170	1000-U29	3YB-440	1000-U114	1B-580	1000-U216-01	1B-320
1000-599-CX	1B-170	1000-U30	1C-120	1000-U115	1B-580	1000-U218-01	1B-320
1000-601	1B-170	1000-U30	3YB-440	1000-U116	1B-560	1000-U219	1B-140
1000-601-CX	1B-170	1000-U31	1C-120	1000-U117	1B-560	1000-U219-G	1B-140
1000-603	1B-170	1000-U31	3YB-440	1000-U118	1B-560	1000-U220	1B-140
1000-990	1B-120	1000-U32	1C-120	1000-U119	1B-560	1000-U220-G	1B-140
1000-990	1B-140	1000-U32	3YB-440	1000-U120	1B-560	1000-U221	1B-140
1000-990	1B-840	1000-U33	1C-120	1000-U121	1B-560	1000-U221-G	1B-140
1000-990	1B-860	1000-U33	3YB-440	1000-U122	1B-560	1000-U222	1B-140
1000-991	1B-140	1000-U34	1C-120	1000-U123	1B-560	1000-U222-G	1B-140
1000-991	1B-840	1000-U34	3YB-440	1000-U124	1B-560	1000-U223	1B-140
1000-991	1B-860	1000-U35	1C-120	1000-U125	1B-560	1000-U223-G	1B-140
1000-5043-SI	1C-120	1000-U35	3YB-440	1000-U126	1B-560	1000-U224	1B-140
1000-5046	1B-160	1000-U36	1C-120	1000-U127	1B-560	1000-U224-G	1B-140
1000-5046	1C-120	1000-U36	3YB-440	1000-U128	1B-560	1000-U225	1B-140
1000-5046	3YA-820	1000-U37	1C-120	1000-U129	1B-560	1000-U226	1B-140
1000-5046	3YA-840	1000-U37	3YB-440	1000-U130	1B-560	1000-U227	1B-140
1000-5046-SI	1C-120	1000-U38	1C-120	1000-U131	1B-560	1000-U228	1B-140
1000-5119	1B-160	1000-U38	3YB-440	1000-U132	1B-560	1000-U229	1B-140
1000-5119	1C-120	1000-U39	1C-120	1000-U133	1B-560	1000-U230	1B-140
1000-5119	3YA-820	1000-U39	3YB-440	1000-U134	1B-140	1000-U231	1B-240
1000-5119	3YA-840	1000-U40	1C-120	1000-U135	1B-140	1000-U232	1B-240
1000-5161	1B-160	1000-U40	3YB-440	1000-U136	1B-140	1000-U233	1B-240
1000-5161	1C-120	1000-U41	1C-120	1000-U137	1B-140	1000-U234	1B-240
1000-5161	3YA-820	1000-U41	3YB-440	1000-U138	1B-140	1000-U235-N	1C-180
1000-5161	3YA-840	1000-U42	1C-120	1000-U139	1C-120	1000-U235-NPH	1C-180
1000-5164	1B-160	1000-U42	3YB-440	1000-U140	1C-120	1000-U236-N	1C-180
1000-5164	1C-120	1000-U43	1C-120	1000-U141	1C-620	1000-U236-NPH	1C-180
1000-5164	3YA-820	1000-U43	3YB-440	1000-U141	1C-620	1000-U237	1B-540
1000-5164	3YA-840	1000-U44	1C-120	1000-U141	3ZB-120	1000-U238	1B-540
		1000-U44	3YB-440	1000-U142	1B-140	1000-U239	1B-540
1000-SU324	1B-222	1000-U45	1B-140	1000-U144-L	1C-620	1000-U240	1B-540
1000-SU720	1B-222	1000-U45-G	1B-140	1000-U144-L	3ZB-120	1000-U241	1B-540
1000-SU724	1B-222	1000-U46	1B-140	1000-U149	1B-540	1000-U242	1B-540
1000-SU725	1B-222	1000-U46-D	1B-120	1000-U150	1B-540	1000-U246	1B-140
1000-SU730	1B-222	1000-U47	1B-140	1000-U150-PH	1B-540	1000-U247	1B-240
1000-SU733	1B-222	1000-U47-G	1B-140	1000-U151	1B-540	1000-U248	1B-140
1000-SU735	1B-222	1000-U49	1C-620	1000-U151-PH	1B-540	1000-U249	1B-140
1000-SU736	1B-222	1000-U49	1C-620	1000-U152	1B-540	1000-U250	1B-240
1000-SU752	1B-222	1000-U49	3ZB-120	1000-U153	1B-540	1000-U252-01	1B-320
1000-SU861	1B-222	1000-U51	1B-140	1000-U154	1B-540	1000-U254-01	1B-320
1000-SU925-LIPH	1B-225	1000-U54	1B-140	1000-U155	1B-140	1000-U256-01	1B-320
1000-SU925-REPH	1B-225	1000-U54-G	1B-140	1000-U155-D	1B-120	1000-U258-01	1B-320
1000-SU925-01REPH	1B-225	1000-U55	1B-140	1000-U155-G	1B-140	1000-U260-01	1B-320
1000-SU925-02LIPH	1B-225	1000-U55-G	1B-140	1000-U157	1B-240	1000-U262-01	1B-320
1000-SU925-03LIPH	1B-225	1000-U56	1B-140	1000-U158	1B-240	1000-U264-01	1B-320
1000-SU925-03REPH	1B-225	1000-U56-G	1B-140	1000-U159	1B-240	1000-U266-01	1B-320
1000-SU1167	1B-222	1000-U57	1B-580	1000-U160	1B-240	1000-U268-01	1B-320
1000-SU1186-02LI	1B-225	1000-U58	1B-580	1000-U164	1B-140	1000-U269	1B-540
		1000-U59	1B-580	1000-U164	1B-240	1000-U270	1B-540
1000-U1	1B-140	1000-U60	1B-560	1000-U165	1B-140	1000-U271	1B-540
1000-U2	1B-140	1000-U61	1B-560	1000-U165	1B-240	1000-U272	1B-540
1000-U3	1B-140	1000-U62	1B-560	1000-U166	1B-140	1000-U273	1B-540
1000-U4	1B-140	1000-U63	1C-120	1000-U166	1B-240	1000-U274	1B-540
1000-U5	1B-140	1000-U64	1C-120	1000-U167	1C-120	1000-U275	1B-540
1000-U6	1B-140	1000-U65	1B-140	1000-U167	3YB-440	1000-U276	1B-540
1000-U7	1B-140	1000-U66	1B-140	1000-U168	1B-140	1000-U277	1B-540
1000-U7-G	1B-140	1000-U67	1B-140	1000-U169	1B-140	1000-U278	1B-540
1000-U9	1B-560	1000-U68	1B-140	1000-U182	1B-140	1000-U279	1B-540
1000-U10	1B-560	1000-U69	1B-140	1000-U183	1B-140	1000-U280	1B-540
1000-U10-PH	1B-560	1000-U78	1B-140	1000-U184-N	1B-140	1000-U281	1B-540
1000-U11	1B-560	1000-U89	1B-620	1000-U184-N2	1B-120	1000-U282	1B-540
1000-U11-PH	1B-560	1000-U90	1B-620	1000-U185-N	1B-140	1000-U283	1B-540
1000-U12	1C-180	1000-U91	1B-620	1000-U185-N2	1B-120	1000-U284	1B-540
1000-U13	1B-140	1000-U92	1B-620	1000-U186-N	1B-140	1000-U285	1B-540
1000-U14	1B-580	1000-U93	1B-620	1000-U186-N2	1B-120	1000-U286	1B-540
1000-U15	1B-580	1000-U94	1B-620	1000-U187-N	1B-140	1000-U315-N	1C-180
1000-U15-PH	1B-580	1000-U95	1B-620	1000-U187-N2	1B-120	1000-U316-N	1C-180
1000-U16	1B-580	1000-U96	1B-140	1000-U188-N	1B-140	1000-U317	1B-140
1000-U16-PH	1B-580	1000-U98	1B-580	1000-U188-N2	1B-120	1000-U318	1B-140
1000-U17	1B-140	1000-U99	1B-580	1000-U189	1B-620	1000-U322	1B-140
1000-U18	1B-140	1000-U100	1B-580	1000-U194	1B-140	1000-U323	1B-140
1000-U20	1B-140	1000-U101	1B-580	1000-U195	1B-140	1000-U324	1B-140
1000-U21	1C-120	1000-U102	1B-580	1000-U196-N	1B-140	1000-U325	1B-140
1000-U22	1C-120	1000-U103	1B-580	1000-U196-N2	1B-120	1000-U326	1B-140
1000-U23	1C-120	1000-U104	1B-580	1000-U197	1B-140	1000-U327	1B-140
1000-U24	1C-120	1000-U105	1B-580	1000-U198	1B-140	1000-U328	1B-140
1000-U25	1C-120	1000-U106	1B-580	1000-U198	1B-240	1000-U329	1B-140
1000-U26	1C-120	1000-U107	1B-580	1000-U202-01	1B-320	1000-U330	1B-140
1000-U26	3YB-440	1000-U108	1B-580	1000-U204-01	1B-320	1000-U331	1B-140
1000-U27	1C-120	1000-U109	1B-580	1000-U206-01	1B-320	1000-U332	1B-140
1000-U27	3YB-440	1000-U110	1B-580	1000-U208-01	1B-320	1000-U333	1B-140
1000-U28	1C-120	1000-U111	1B-580	1000-U210-01	1B-320	1000-U334	1B-140
1000-U28	3YB-440	1000-U112	1B-580	1000-U212-01	1B-320	1000-U335	1B-140
1000-U29	1C-120	1000-U113	1B-580	1000-U214-01	1B-320	1000-U336	1B-140

1	Quarter turns
2	Rod controls
3	Locking systems
4	Hinges
5	Seals
6	Handles
7	Aluminium windows
8	Miscellaneous
9	Special catalogues

## Beschlagteile

Info

1 Quarter turns

2 Rod controls

3 Locking systems

4 Hinges

5 Seals

6 Handles

7 Aluminium windows

8 Miscellaneous

9 Special catalogues

Index

Part no.	Catalogue page	Part no.	Catalogue page	Part no.	Catalogue page	Part no.	Catalogue page
1000-U337	1B-560	1000-U423	1B-620	1000-U545-27	3YB-420	1000-U616	1B-580
1000-U338	1B-560	1000-U426	1B-860	1000-U545-27	3YC-120	1000-U617	1B-580
1000-U339	1B-560	1000-U427	1B-860	1000-U545-27	3YC-140	1000-U618	1B-580
1000-U340	1B-560	1000-U429-01	1B-680	1000-U545-29	3YB-420	1000-U619	1B-580
1000-U341	1B-560	1000-U429-01PH	1B-680	1000-U545-29	3YC-120	1000-U620	1B-580
1000-U342	1B-560	1000-U431	1B-860	1000-U545-29	3YC-140	1000-U621	1B-580
1000-U343	1B-540	1000-U431-01	1B-860	1000-U545-31	3YB-420	1000-U622	1B-580
1000-U344	1B-540	1000-U431-PF	1B-860	1000-U545-31	3YC-120	1000-U623	1B-580
1000-U345	1B-540	1000-U432	1B-860	1000-U545-31	3YC-140	1000-U624	1B-580
1000-U346	1B-540	1000-U434	1B-620	1000-U545-35	3YB-420	1000-U625	1B-580
1000-U347	1B-540	1000-U435	1B-620	1000-U545-35	3YC-120	1000-U626	1B-580
1000-U348	1B-540	1000-U436	1B-680	1000-U545-35	3YC-140	1000-U627	1B-580
1000-U349	1B-760	1000-U436-PF	1B-680	1000-U545-38	3YB-420	1000-U628	1B-580
1000-U350	1B-760	1000-U437	1B-680	1000-U545-38	3YC-120	1000-U629	1B-580
1000-U351	1B-140	1000-U438	1B-680	1000-U545-38	3YC-140	1000-U630	1B-140
1000-U352	1B-140	1000-U439	1B-680	1000-U546	1B-560	1000-U631	1B-140
1000-U353	1B-580	1000-U499	1B-860	1000-U547	1B-560	1000-U632	3YB-420
1000-U354	1B-580	1000-U500	1B-860	1000-U548	1B-560	1000-U632	3YC-120
1000-U355	1B-580	1000-U501	1B-620	1000-U549	1B-560	1000-U632	3YC-140
1000-U356	1B-580	1000-U502	1B-620	1000-U550	1B-560	1000-U633	1B-540
1000-U357	1B-580	1000-U504	1B-140	1000-U551	1B-560	1000-U634	1B-540
1000-U358	1B-580	1000-U505	1B-140	1000-U552	1B-560	1000-U635	1B-540
1000-U359	1B-580	1000-U506	1B-140	1000-U553	1B-560	1000-U636	1B-540
1000-U360	1B-580	1000-U507	1B-140	1000-U554	1B-560	1000-U637	1B-540
1000-U361	1B-580	1000-U509	1B-140	1000-U555	1B-560	1000-U638	1B-540
1000-U362	1B-580	1000-U510	1B-140	1000-U556	1B-560	1000-U639	1B-540
1000-U363	1B-580	1000-U512	1B-540	1000-U557	1B-560	1000-U640	1B-540
1000-U364	1B-580	1000-U514	1B-540	1000-U558	1B-560	1000-U641	1B-540
1000-U365	1B-580	1000-U515	1B-540	1000-U559	1B-560	1000-U642	1B-540
1000-U366	1B-580	1000-U516	1B-540	1000-U560	1B-560	1000-U643	1B-540
1000-U367	1B-580	1000-U517	1B-540	1000-U561	1B-560	1000-U644	1B-540
1000-U368	1B-580	1000-U518	1B-540	1000-U562	1B-560	1000-U645	1B-540
1000-U369	1B-580	1000-U519	1B-540	1000-U563	1B-560	1000-U646	1B-540
1000-U370	1B-580	1000-U520	1B-540	1000-U564	1B-560	1000-U647	1B-540
1000-U371	1B-580	1000-U521	1B-540	1000-U565	1B-560	1000-U648	1B-540
1000-U372	1B-560	1000-U522	1B-540	1000-U566	1B-560	1000-U649	1B-540
1000-U373	1B-560	1000-U523	1B-540	1000-U567	1B-560	1000-U650	1B-540
1000-U374	1B-560	1000-U524	1B-540	1000-U568	1B-560	1000-U652-01	1B-320
1000-U375	1B-560	1000-U525	1B-540	1000-U569	1B-560	1000-U653	1B-840
1000-U376	1B-560	1000-U526	1B-540	1000-U570	1B-580	1000-U655-01	1B-320
1000-U377	1B-560	1000-U527	1B-540	1000-U571	1B-580	1000-U656	1B-620
1000-U378	1B-560	1000-U528	1B-540	1000-U572	1B-580	1000-U657	1B-620
1000-U379	1B-560	1000-U529	1B-540	1000-U573	1B-580	1000-U658	1B-580
1000-U380	1B-560	1000-U530	1B-140	1000-U574	1B-580	1000-U659	1B-620
1000-U381	1B-560	1000-U531	1B-140	1000-U575	1B-580	1000-U660	1B-620
1000-U382	1B-560	1000-U532	1B-140	1000-U576	1B-580	1000-U661-23	3YB-420
1000-U383	1B-560	1000-U533	1B-140	1000-U577	1B-580	1000-U661-23	3YC-120
1000-U384	1B-560	1000-U534	1B-140	1000-U578	1B-580	1000-U661-23	3YC-140
1000-U385	1B-560	1000-U535	1B-140	1000-U579	1B-580	1000-U661-25	3YB-420
1000-U386	1B-560	1000-U536	1B-140	1000-U580	1B-580	1000-U661-25	3YC-120
1000-U387	1B-560	1000-U537	1B-140	1000-U581	1B-580	1000-U661-25	3YC-140
1000-U388	1B-560	1000-U538-L	1C-620	1000-U582	1B-580	1000-U661-27	3YB-420
1000-U389	1B-560	1000-U538-L	3ZB-120	1000-U583	1B-580	1000-U661-27	3YC-120
1000-U390	1B-580	1000-U539	1B-240	1000-U584	1B-580	1000-U661-27	3YC-140
1000-U391	1B-580	1000-U540	1B-240	1000-U585	1B-580	1000-U661-29	3YB-420
1000-U392	1B-580	1000-U541	1B-240	1000-U586	1B-580	1000-U661-29	3YC-120
1000-U393	1B-580	1000-U542	1B-240	1000-U587	1B-580	1000-U661-29	3YC-140
1000-U394	1B-580	1000-U543	1B-240	1000-U588	1B-580	1000-U661-31	3YB-420
1000-U395	1B-620	1000-U544-23	3YB-420	1000-U589	1B-580	1000-U661-31	3YC-120
1000-U396	1B-620	1000-U544-23	3YC-120	1000-U590	1B-580	1000-U661-31	3YC-140
1000-U397	1B-620	1000-U544-23	3YC-140	1000-U591	1B-580	1000-U661-35	3YB-420
1000-U398	1B-620	1000-U544-25	3YB-420	1000-U592	1B-580	1000-U661-35	3YC-120
1000-U399	1B-620	1000-U544-25	3YC-120	1000-U593	1B-580	1000-U661-35	3YC-140
1000-U400	1B-620	1000-U544-25	3YC-140	1000-U594	1B-560	1000-U661-38	3YB-420
1000-U401	1B-620	1000-U544-27	3YB-420	1000-U595	1B-560	1000-U661-38	3YC-120
1000-U402	1B-620	1000-U544-27	3YC-120	1000-U596	1B-560	1000-U661-38	3YC-140
1000-U403	1B-540	1000-U544-27	3YC-140	1000-U597	1B-560	1000-U661-40	3YB-420
1000-U404	1B-540	1000-U544-29	3YB-420	1000-U598	1B-560	1000-U661-40	3YC-120
1000-U405	1B-540	1000-U544-29	3YC-120	1000-U599	1B-560	1000-U661-40	3YC-140
1000-U406	1B-540	1000-U544-29	3YC-140	1000-U600	1B-560	1000-U662-23	3YB-420
1000-U407	1B-540	1000-U544-31	3YB-420	1000-U601	1B-560	1000-U662-23	3YC-120
1000-U408	1B-540	1000-U544-31	3YC-120	1000-U602	1B-560	1000-U662-23	3YC-140
1000-U409	1B-540	1000-U544-31	3YC-140	1000-U603	1B-560	1000-U662-25	3YB-420
1000-U410	1B-540	1000-U544-35	3YB-420	1000-U604	1B-560	1000-U662-25	3YC-120
1000-U411	1B-540	1000-U544-35	3YC-120	1000-U605	1B-560	1000-U662-25	3YC-140
1000-U412	1B-540	1000-U544-35	3YC-140	1000-U606	1B-560	1000-U662-27	3YB-420
1000-U413	1B-540	1000-U544-38	3YB-420	1000-U607	1B-560	1000-U662-27	3YC-120
1000-U414	1B-540	1000-U544-38	3YC-120	1000-U608	1B-560	1000-U662-27	3YC-140
1000-U415	1B-540	1000-U544-38	3YC-140	1000-U609	1B-560	1000-U662-29	3YB-420
1000-U416	1B-540	1000-U545-23	3YB-420	1000-U610	1B-560	1000-U662-29	3YC-120
1000-U417	1B-540	1000-U545-23	3YC-120	1000-U611	1B-560	1000-U662-29	3YC-140
1000-U418	1B-540	1000-U545-23	3YC-140	1000-U612	1B-580	1000-U662-31	3YB-420
1000-U419	1B-540	1000-U545-25	3YB-420	1000-U613	1B-580	1000-U662-31	3YC-120
1000-U420	1B-540	1000-U545-25	3YC-120	1000-U614	1B-580	1000-U662-31	3YC-140
1000-U422	1B-620	1000-U545-25	3YC-140	1000-U615	1B-580	1000-U662-35	3YB-420



Part no.	Catalogue page	Part no.	Catalogue page	Part no.	Catalogue page	Part no.	Catalogue page
1000-U662-35	3YC-120	1000-U757	1B-140	1000-U825	1B-230	1000-U960-01	1B-835
1000-U662-35	3YC-140	1000-U757-01	1B-140	1000-U826	1B-230	1000-U960-01PF	1B-835
1000-U662-38	3YB-420	1000-U762	1B-720	1000-U827	1B-230	1000-U961	1B-836
1000-U662-38	3YC-120	1000-U763	1B-720	1000-U828	1B-230	1000-U962	1B-836
1000-U662-38	3YC-140	1000-U764	1B-720	1000-U829	2A-180	1000-U963	1B-836
1000-U662-40	3YB-420	1000-U765	1B-720	1000-U830	1B-222	1000-U968-LI	1B-225
1000-U662-40	3YC-120	1000-U768	1B-840	1000-U831	1B-220	1000-U968-RE	1B-225
1000-U662-40	3YC-140	1000-U769	1B-140	1000-U831-01	1B-220	1000-U968-01LI	1B-225
1000-U663	3YB-420	1000-U769	1B-360	1000-U831-02	1B-222	1000-U968-01RE	1B-225
1000-U663	3YC-120	1000-U769	1B-760	1000-U832	1B-222	1000-U968-02LI	1B-225
1000-U663	3YC-140	1000-U769	1B-840	1000-U835	1B-335	1000-U968-03LI	1B-225
1000-U664	1B-560	1000-U769	1B-860	1000-U837	1B-850	1000-U968-03RE	1B-225
1000-U665	1B-540	1000-U770	1B-640	1000-U838-02	1B-835	1000-U968-04LI	1B-225
1000-U666	1B-160	1000-U771	1B-640	1000-U838-02PF	1B-835	1000-U968-04RE	1B-225
1000-U667	1B-160	1000-U773	1B-520	1000-U841	1B-140	1000-U968-05LI	1B-225
1000-U675	1B-160	1000-U773-01	1B-520	1000-U842	1B-690	1000-U968-05RE	1B-225
1000-U676	1B-160	1000-U774	1B-520	1000-U844	1B-520	1000-U968-06LI	1B-225
1000-U677	1B-160	1000-U774-01	1B-520	1000-U845	1B-520	1000-U968-06RE	1B-225
1000-U678	1B-160	1000-U775	1B-520	1000-U846	1B-237	1000-U972	1B-170
1000-U679	1B-160	1000-U775-01	1B-520	1000-U848	1B-237	1000-U973	1B-170
1000-U680	1B-160	1000-U776	1C-120	1000-U852	1B-210	1000-U974	1B-170
1000-U681	1C-170	1000-U776-PH	1C-120	1000-U852-IA	1B-210	1000-U975	1B-170
1000-U682	1C-170	1000-U777	1B-220	1000-U852-PH	1B-210	1000-U976	1B-170
1000-U683	1C-170	1000-U777-01	1B-220	1000-U853	1B-210	1000-U977	1B-170
1000-U684	1C-170	1000-U778	8A-220	1000-U853-PH	1B-210	1000-U978	1B-170
1000-U685	1C-170	1000-U779	8A-222	1000-U854	1B-210	1000-U980	3ZD-180
1000-U686	1C-170	1000-U780	8A-224	1000-U854-PH	1B-210	1000-U981	1B-220
1000-U687	1B-320	1000-U781	8A-224	1000-U855	1B-210	1000-U981-01	1B-220
1000-U688	1B-320	1000-U781-V	8A-224	1000-U855-PH	1B-210	1000-U982	1B-220
1000-U689	1B-320	1000-U783	1B-220	1000-U856	1B-210	1000-U983	1B-220
1000-U690	1B-320	1000-U784	1B-230	1000-U856-PH	1B-210	1000-U985-PH	1B-210
1000-U691	1B-320	1000-U785	1B-230	1000-U857	1B-690		
1000-U692	1B-320	1000-U786	1B-222	1000-U858	1C-170	1001-11	1C-620
1000-U693	1B-320	1000-U787	1B-230	1000-U859-IA	1B-210	1001-12	1C-620
1000-U694	1B-320	1000-U788	1B-230	1000-U859-PH	1B-210	1001-13	1C-620
1000-U695	1B-160	1000-U789	1B-230	1000-U860	1B-650	1001-14	1C-620
1000-U696	1B-160	1000-U790	1B-230	1000-U860-01AA	1B-650	1001-15	1C-620
1000-U709	1B-160	1000-U791	1B-230	1000-U860-01IA	1B-650	1001-16	1C-620
1000-U710-01	1B-320	1000-U792	1B-230	1000-U861	1B-837	1001-17	1C-620
1000-U711	1B-160	1000-U793	1B-230	1000-U862	1B-837	1001-18	2B-120
1000-U712-01	1B-320	1000-U794	1B-222	1000-U864-IA	1B-210	1001-18	2B-120
1000-U713-01	1B-320	1000-U795	1B-220	1000-U864-PH	1B-210	1001-18	2B-130
1000-U714-01	1B-320	1000-U796	1B-220	1000-U865-LIPH	1B-225	1001-18	2B-135
1000-U715-01	1B-320	1000-U798	1B-220	1000-U865-REPH	1B-225	1001-18	2B-180
1000-U716-01	1B-320	1000-U799	1B-222	1000-U869-LIPH	1B-225	1001-19	2B-120
1000-U717-01	1B-320	1000-U802	1B-222	1000-U869-REPH	1B-225	1001-19	2B-120
1000-U718-01	1B-320	1000-U803	1B-222	1000-U870-LIPH	1B-225	1001-19	2B-130
1000-U719-01	1B-320	1000-U804	1B-222	1000-U870-REPH	1B-225	1001-19	2B-135
1000-U720-01	1B-320	1000-U805	1B-220	1000-U873	1B-180	1001-20	1C-640
1000-U721-01	1B-320	1000-U806	1B-222	1000-U874	1C-125	1001-21	1C-640
1000-U722-01	1B-320	1000-U807	1B-220	1000-U874-VA	1C-125	1001-22	1C-640
1000-U723-01	1B-320	1000-U808	1B-222	1000-U876	1B-140	1001-23	2B-160
1000-U724-01	1B-320	1000-U809	1B-220	1000-U878	1B-140	1001-24	2B-160
1000-U725	1B-320	1000-U810	1B-222	1000-U879	1B-140	1001-25	2B-160
1000-U726	1B-320	1000-U811	1B-220	1000-U880	1B-222	1001-26	2B-160
1000-U727	1B-320	1000-U812	1B-222	1000-U882	1B-220	1001-27	2B-160
1000-U728	1B-320	1000-U813	1B-222	1000-U883	1B-180	1001-28	2B-160
1000-U729	1B-140	1000-U816	1B-222	1000-U892	1C-135	1001-28	2B-180
1000-U732-01	1B-320	1000-U817-01PH	1B-330	1000-U895	1B-180	1001-29	2B-160
1000-U733-01	1B-320	1000-U817-02IA	1B-330	1000-U902	1B-170	1001-29	2B-180
1000-U734	1B-680	1000-U817-03IA	1B-330	1000-U903	1B-170	1001-30	2B-160
1000-U735	1B-680	1000-U817-03PH	1B-330	1000-U904	1B-170	1001-31	2B-160
1000-U736	1B-140	1000-U817-04IA	1B-330	1000-U905	1B-170	1001-32	2B-160
1000-U737	1B-140	1000-U817-05IA	1B-330	1000-U907	1B-170	1001-33	2B-160
1000-U738	1B-140	1000-U817-05PH	1B-330	1000-U908	1B-170	1001-33	2B-180
1000-U739	1B-140	1000-U817-07PH	1B-330	1000-U910	1B-140	1001-34	2B-160
1000-U740	1B-760	1000-U817-08IA	1B-330	1000-U911-LIPH	1B-225	1001-35	2B-160
1000-U740-01	1B-760	1000-U817-16IA	1B-330	1000-U913	1B-170	1001-36	2B-160
1000-U742	1B-380	1000-U817-17IA	1B-330	1000-U914	1B-170	1001-45	2A-120
1000-U743	1B-380	1000-U817-23IA	1B-330	1000-U915	1B-170	1001-46	2A-120
1000-U744	1B-720	1000-U817-23PH	1B-330	1000-U916	1B-170	1001-47	2A-120
1000-U745	1B-720	1000-U817-24PH	1B-330	1000-U917	1B-170	1001-48	2A-120
1000-U746-01	1B-340	1000-U818-02IA	1B-332	1000-U933	1B-940	1001-49	2A-120
1000-U747	1B-340	1000-U818-03IA	1B-332	1000-U934	1B-940	1001-50	2A-120
1000-U748	1B-220	1000-U818-04IA	1B-332	1000-U935	1B-940	1001-50	3A-220
1000-U748-01	1B-220	1000-U818-05IA	1B-332	1000-U936	1B-940	1001-50	3AB-220
1000-U749	1B-220	1000-U819-01IA	1B-332	1000-U938	8A-230	1001-65	2A-180
1000-U749-01	1B-220	1000-U819-02IA	1B-332	1000-U939	8A-230	1001-69	2A-180
1000-U751	1B-380	1000-U819-03IA	1B-332	1000-U941-01	1B-835	1001-70	2A-180
1000-U752	1B-380	1000-U819-04IA	1B-332	1000-U941-01PF	1B-835	1001-71	2A-180
1000-U753	1B-540	1000-U820	1B-230	1000-U943	8A-232	1001-72	2A-180
1000-U754	1B-540	1000-U821	1B-230	1000-U944	8A-232	1001-73	2A-180
1000-U755	1B-220	1000-U822	1B-230	1000-U945	8A-232		
1000-U755-01	1B-220	1000-U823	1B-230	1000-U946	8A-232	1001-U1	2B-135
1000-U755-02	1B-222	1000-U824	1B-230	1000-U957	8A-222	1001-U2	2B-135

1	Quarter turns
2	Rod controls
3	Locking systems
4	Hinges
5	Seals
6	Handles
7	Aluminium windows
8	Miscellaneous
9	Special catalogues

## Beschlagteile

Info

1 Quarter turns

2 Rod controls

3 Locking systems

4 Hinges

5 Seals

6 Handles

7 Aluminium windows

8 Miscellaneous

9 Special catalogues

Index

Part no.	Catalogue page	Part no.	Catalogue page	Part no.	Catalogue page	Part no.	Catalogue page
1001-U9	2B-180	1004-44-01AA	3AB-180	1012-U1	1A-420	1016-125	5A-180
1001-U10	2B-180	1004-45	1B-340	1012-U2	1A-420	1016-126	5A-180
1001-U11	1C-640	1004-48	8B-120	1012-U3	1A-420	1016-127	5A-180
1001-U11	3ZC-220	1004-49	8B-120	1012-U4	1A-420	1016-128	5A-180
1001-U12	1C-640	1004-51	8B-120			1016-129	5A-180
1001-U12	3ZC-220	1004-52	8B-120	1013-U1	8D-420	1016-130	5A-180
1001-U13	2A-120	1004-53	1B-835	1013-U2	8D-420	1016-131	5A-180
1001-U14	2A-120	1004-53	1B-836	1013-U3	8D-420	1016-132	5A-180
1001-U15	2A-120	1004-53	1B-837	1013-U4	8D-420	1016-133	5A-180
1001-U16	2A-120	1004-54	8B-120	1013-U5	8D-420	1016-134	5A-180
1001-U17	2A-120	1004-60	1B-835			1016-135	5A-180
1001-U18	2A-120	1004-60	1B-836	1016-13	5A-180	1016-136	5A-180
1001-U19	2B-120	1004-61	1B-835	1016-14	5A-180	1016-137	5A-180
1001-U20	2B-120	1004-61	1B-836	1016-15	5A-180	1016-138	5A-180
1001-U21	2A-180	1004-62	1B-835	1016-16	5A-180	1016-139	5A-180
1001-U22	2A-180	1004-62	1B-836	1016-17	5A-180	1016-140	5A-180
1001-U23	2A-180			1016-18	5A-180	1016-141	5A-180
1001-U24	2A-120	1005-U1	2B-160	1016-19	5A-180	1016-142	5A-180
1001-U25	2A-120	1005-U2	2B-160	1016-20	5A-180	1016-143	5A-180
1001-U26	2A-120	1005-U3	2B-160	1016-21	5A-180	1016-144	5A-180
1001-U27	2A-120	1005-U4	2B-160	1016-22	5A-180	1016-145	5A-180
1001-U28	2A-120	1005-U5	2B-160	1016-23	5A-180	1016-146	5A-180
1001-U29	2A-120	1005-U6	2B-160	1016-24	5A-180	1016-147	5A-180
1001-U30	2B-120			1016-61	5A-180	1016-148	5A-180
1001-U31	2B-120	1006-U1	4B-120	1016-62	5A-180	1016-149	5A-180
1001-U32	2A-120	1006-U1-PC	4B-120	1016-63	5A-180	1016-150	5A-180
1001-U33	2A-120			1016-64	5A-180	1016-151	5A-180
1001-U40	1C-640	1007-U1	4B-120	1016-65	5A-180	1016-152	5A-180
1001-U40	3ZC-220	1007-U2	4B-120	1016-66	5A-180	1016-153	5A-180
1001-U41	1C-640			1016-67	5A-180	1016-154	5A-180
1001-U41	3ZC-220	1010-01	5A-120	1016-68	5A-180	1016-155	5A-180
1001-U47	1C-630	1010-02	5A-120	1016-69	5A-180	1016-156	5A-180
1001-U47	3ZC-210	1010-04-01	5A-110	1016-70	5A-180	1016-157	5A-180
		1010-04-02	5A-110	1016-71	5A-180	1016-158	5A-180
1002-04	2B-120	1010-05	5A-110	1016-72	5A-180	1016-159	5A-180
1002-05	2B-120	1010-06	5A-110	1016-75	5A-180	1016-160	5A-180
		1010-06-01	5A-110	1016-76	5A-180	1016-161	5A-180
1002-U1	2B-120	1010-09	5A-120	1016-77	5A-180	1016-162	5A-180
		1010-11	5A-110	1016-78	5A-180	1016-163	5A-180
1003-01	5A-190	1010-11-01	5A-110	1016-79	5A-180	1016-164	5A-180
1003-02	5A-190	1010-12	5A-120	1016-80	5A-180	1016-165	5A-180
1003-03	5A-190			1016-81	5A-180	1016-166	5A-180
1003-04	5A-190	1011-05	5A-130	1016-82	5A-180	1016-167	5A-180
1003-11-N	5A-190	1011-05-09	5A-230	1016-83	5A-180	1016-168	5A-180
1003-12-N	5A-190	1011-05-E	5A-210	1016-84	5A-180	1016-169	5A-180
1003-13-N	5A-190	1011-05-E	5A-220	1016-85	5A-180	1016-170	5A-180
1003-14-N	5A-190	1011-05-FR01	5A-240	1016-86	5A-180	1016-171	5A-180
1003-15-N	5A-190	1011-06	5A-140	1016-87	5A-180	1016-172	5A-180
1003-24-N	5A-190	1011-06-09	5A-230	1016-88	5A-180	1016-173	5A-180
		1011-06-E	5A-220	1016-89	5A-180	1016-174	5A-180
1004-01	8B-120	1011-08	5A-150	1016-90	5A-180	1016-175	5A-180
1004-02	8B-120	1011-09	5A-130	1016-91	5A-180	1016-176	5A-180
1004-03	8B-120	1011-09-E	5A-220	1016-92	5A-180	1016-177	5A-180
1004-04	8B-120	1011-09-E	5A-220	1016-93	5A-180	1016-178	5A-180
1004-05	8B-120	1011-09-FR01	5A-240	1016-94	5A-180	1016-179	5A-180
1004-06	8B-120	1011-10	5A-130	1016-95	5A-180	1016-180	5A-180
1004-17	8B-120	1011-10-E	5A-210	1016-96	5A-180	1016-181	5A-180
1004-18	8B-120	1011-12	5A-140	1016-97	5A-180	1016-182	5A-180
1004-19	8B-120	1011-15	5A-130	1016-98	5A-180	1016-183	5A-180
1004-20	1A-120	1011-16	5A-140	1016-99	5A-180	1016-184	5A-180
1004-20	8B-120	1011-17	5A-150	1016-100	5A-180	1016-185	5A-180
1004-21	1A-120	1011-19-09	5A-230	1016-101	5A-180	1016-186	5A-180
1004-21	1A-420	1011-26	5A-150	1016-102	5A-180	1016-187	5A-180
1004-21	8B-120	1011-27	5A-170	1016-103	5A-180	1016-188	5A-180
1004-24	8B-120	1011-30	5A-170	1016-104	5A-180	1016-189	5A-180
1004-26	8B-120	1011-31	5A-160	1016-105	5A-180	1016-190	5A-180
1004-29	8B-120	1011-32	5A-160	1016-106	5A-180	1016-191	5A-180
1004-29-01	1B-360	1011-34	5A-140	1016-107	5A-180	1016-192	5A-180
1004-30	8B-120	1011-36	5A-170	1016-108	5A-180	1016-193	5A-180
1004-31	8B-120	1011-40	5A-160	1016-109	5A-180	1016-194	5A-180
1004-33	8B-120	1011-41	5A-150	1016-110	5A-180	1016-220-127E	5A-220
1004-33-01	1B-720	1011-44	5A-160	1016-111	5A-180	1016-220-220E	5A-220
1004-34	1A-420	1011-45	5A-140	1016-112	5A-180	1016-220-254E	5A-220
1004-34	8B-120	1011-45-FR01	5A-240	1016-113	5A-180		
1004-34-01	1B-720	1011-46	5A-150	1016-114	5A-180	1017-14	2B-140
1004-35	8B-120	1011-47	5A-130	1016-115	5A-180	1017-15	2B-140
1004-36	1A-420	1011-48	5A-150	1016-116	5A-180		
1004-36	8B-120	1011-49	5A-130	1016-117	5A-180	1019-U1	1C-620
1004-37	8B-120	1011-50	5A-130	1016-118	5A-180		
1004-38	8B-120	1011-51-FR01	5A-240	1016-119	5A-180	1022-01-02	1A-120
1004-39	8B-120			1016-120	5A-180	1022-05-JB	8E-140
1004-41	8B-120	1012-05	1A-420	1016-121	5A-180	1022-07	1A-120
1004-42	8B-120	1012-06-JG	1A-420	1016-122	5A-180	1022-07	1A-140
1004-44-01AA	3AB-120	1012-08	1A-420	1016-123	5A-180	1022-07-PC	1A-120
1004-44-01AA	3AB-160			1016-124	5A-180	1022-08	1A-120

Part no.	Catalogue page	Part no.	Catalogue page	Part no.	Catalogue page	Part no.	Catalogue page
1022-08	1A-140	1022-U67	1A-160	1033-U57	4A-300	1047-U4	8A-240
1022-08-PC	1A-120	1022-U68	1A-160	1033-U58	4A-300	1047-U5	8A-240
1022-09	1A-120	1022-U69	1A-160	1033-U60	4A-300		
1022-10	1A-120	1022-U70	1A-160	1033-U61	4A-300	1048-U1	1B-420
1022-11-JB	8E-140	1022-U71	1A-120	1033-U63	4A-300	1048-U2	1B-420
1022-11-01KA	8E-140	1022-U72	1A-120	1033-U64	4A-300	1048-U3	1B-420
1022-20	1A-120	1022-U73	1A-120	1033-U70	4A-300	1048-U4	1B-420
1022-20	1A-140	1022-U74	1A-120	1033-U71	4A-300	1048-U6	1B-420
1022-20-PC	1A-120	1022-U75	1A-120	1033-U72	4A-300	1048-U6-PH	1B-420
1022-23-01	1A-120	1022-U76	1A-120	1033-U73	4A-300	1048-U7	1B-420
1022-49	1A-240	1022-U77	1A-120	1033-U74	4A-300	1048-U7-PH	1B-420
1022-50	1A-240	1022-U78	1A-120	1033-U75	4A-300	1048-U8	1B-420
1022-51	1A-240	1022-U82	1A-120			1048-U9	1B-420
1022-54-01	1A-320	1022-U83	1A-220	1034-03	1C-360	1048-U10	1B-420
1022-54-02	1A-320	1022-U83-IA	1A-220			1048-U11	1B-420
1022-54-03	1A-320	1022-U84	1A-220	1034-U1	1C-360	1048-U12	1B-420
1022-55-01	1A-320	1022-U84-IA	1A-220	1034-U1	8A-320	1048-U13	1B-420
1022-55-02	1A-320	1022-U85	1A-220			1048-U14	1B-420
1022-55-03	1A-320	1022-U85-IA	1A-220	1035-U1	4A-260	1048-U15	1B-420
1022-56-01	1A-320	1022-U86	1E-320	1035-U2	4A-260	1048-U16	1B-420
1022-56-02	1A-320	1022-U89	1A-320	1035-U3	4A-260	1048-U17	1B-420
1022-56-03	1A-320	1022-U90	1A-320			1048-U18	1B-420
1022-990	1A-120	1022-U91	1A-320	1036-U2	4A-290	1048-U19	1B-420
1022-991	1A-120	1022-U94	1A-220	1036-U3	4A-290	1048-U20	1B-420
				1036-U4	4A-290	1048-U21	1B-420
1022-U1	1A-120	1031-U1	4A-130	1036-U5	4A-290	1048-U22	1B-360
1022-U2	1A-120	1031-U2	4A-130	1036-U6	4A-290	1048-U23	1B-360
1022-U3	1A-120	1031-U7	4A-134	1036-U7	4A-290	1048-U25	1B-420
1022-U4	1A-120	1031-U10	4A-130	1036-U9	4A-295	1048-U26	1B-420
1022-U8	1A-120	1031-U12	4A-135	1036-U10	4A-295	1048-U27	1B-420
1022-U9	1A-120	1031-U13	4A-135			1048-U28	1B-420
1022-U10	1A-160	1031-U14	4A-137	1038-07	5A-200		
1022-U11	1A-160	1031-U15	4A-136	1038-10	5A-200	1049-19-L	1C-620
1022-U12	1A-160	1031-U16	4A-133			1049-19-L	3ZB-120
1022-U13	1A-160	1031-U17-PC	4A-133	1039-36	4A-260		
1022-U14	1A-160	1031-U18	4A-137	1039-U6	4A-260	1049-U1	2A-120
1022-U15	1A-160	1031-U19	4A-135	1039-U7	4A-260	1049-U1	2B-130
1022-U16	1A-160	1031-U20	4A-135	1039-U8	4A-260	1049-U2	2A-120
1022-U17	1A-160	1031-U21	4A-136	1039-U10	4B-160	1049-U2	2B-130
1022-U18	1A-160	1031-U22	4A-135	1039-U11	4B-160	1049-U3	1C-620
1022-U19	1A-160			1039-U12	4A-250	1049-U3	3ZB-120
1022-U20	1A-160	1032-U1	4A-130	1039-U13	4B-170	1049-U4	1C-620
1022-U21	1A-160	1032-U2	4A-130	1039-U14	4B-170	1049-U4	3ZB-120
1022-U22	1A-160	1032-U5	4A-130	1039-U15	4B-170	1049-U5	1C-620
1022-U23	1A-160	1032-U6	4A-121	1039-U17	4A-250	1049-U5	3ZB-120
1022-U24	1A-160			1039-U18	4B-160	1049-U6	1C-620
1022-U25	1A-160	1033-U1	4A-300	1039-U19	4A-250	1049-U6	3ZB-120
1022-U26	1A-160	1033-U2	4A-300	1039-U25	4B-160	1049-U7	1C-620
1022-U27	1A-160	1033-U3	4A-300	1039-U26	4A-250	1049-U7	3ZB-120
1022-U29	1A-140	1033-U4	4A-300			1049-U8	1C-620
1022-U30	1A-140	1033-U5	4A-300	1042-U1	4B-140	1049-U8	3ZB-120
1022-U31	1A-140	1033-U7	4A-300			1049-U9	1C-620
1022-U32	1A-140	1033-U8	4A-300	1043-U1	4B-140	1049-U9	3ZB-120
1022-U33	1A-140	1033-U9	4A-300			1049-U9	3ZB-120
1022-U34	1A-140	1033-U11	4A-300			1049-U12	1C-620
1022-U37	1A-140	1033-U13	4A-300	1044-U1	2B-160	1049-U12	3ZB-120
1022-U38	1A-140	1033-U14	4A-300	1044-U2	2B-160	1049-U13	1C-620
1022-U39	1A-140	1033-U15	4A-300	1044-U3	2B-160	1049-U13	3ZB-120
1022-U40	1A-140	1033-U16	4A-300	1044-U4	2B-160	1049-U14	1C-620
1022-U41	1A-140	1033-U17	4A-300	1044-U5	2B-160	1049-U14	3ZB-120
1022-U42	1A-140	1033-U18	4A-300	1044-U6	2B-160	1049-U15	1C-620
1022-U43	1A-120	1033-U18	4A-300	1044-U7	2B-160	1049-U15	3ZB-120
1022-U44	1A-120	1033-U20	4A-300	1044-U8	2B-160	1049-U16	1C-620
1022-U45	1A-120	1033-U21	4A-300	1044-U9	2B-160	1049-U16	3ZB-120
1022-U46	1A-120	1033-U22	4A-300	1044-U10	2B-160	1049-U17	1C-620
1022-U47	1A-120	1033-U24	4A-300	1044-U11	2B-160	1049-U17	3ZB-120
1022-U48	1A-140	1033-U26	4A-300	1044-U12	2B-160	1049-U18-L	1C-620
1022-U49	1A-140	1033-U27	4A-300	1044-U13	2B-160	1049-U18-L	3ZB-120
1022-U49	1A-140	1033-U28	4A-300	1044-U14	2B-160	1049-U19	2A-120
1022-U50	1A-140	1033-U29	4A-300	1044-U15	2B-160	1049-U19	2B-130
1022-U51	1A-140	1033-U30	4A-300	1044-U16	2B-160	1049-U20	2A-120
1022-U52	1A-140	1033-U31	4A-300	1044-U17	2B-160	1049-U20	2B-130
1022-U53	1A-140	1033-U32	4A-300	1044-U18	2B-160		
1022-U54	1A-140	1033-U33	4A-300	1044-U19	2B-160	1050-U1	8C-180
1022-U55	1A-140	1033-U34	4A-300	1044-U20	2B-160	1050-U1-PC	8C-180
1022-U56	1A-140	1033-U35	4A-300	1044-U21	2B-160	1050-U2	8C-180
1022-U57	1A-140	1033-U36	4A-300	1044-U22	2B-160	1050-U2-PC	8C-180
1022-U58	1A-140	1033-U37	4A-300			1050-U3	8C-120
1022-U59	1A-140	1033-U38	4A-300	1046-U1	4B-130		
1022-U60	1A-120	1033-U39	4A-300	1046-U2	4B-130	1051-U1	8D-220
1022-U61	1A-120	1033-U40	4A-300	1046-U3	4B-130	1051-U2	8D-220
1022-U62	1A-120	1033-U41	4A-300	1046-U4	4B-130		
1022-U63	1A-120	1033-U42	4A-300	1046-U5	4B-130	1053-U1	8A-340
1022-U64	1A-120	1033-U44	4A-295			1053-U2	8A-340
1022-U65	1A-160	1033-U55	4A-300	1047-U2	8A-240	1053-U3	8A-340
1022-U66	1A-160	1033-U56	4A-300	1047-U3	8A-240	1053-U4	8A-340

1	Quarter turns
2	Rod controls
3	Locking systems
4	Hinges
5	Seals
6	Handles
7	Aluminium windows
8	Miscellaneous
9	Special catalogues

## Beschlagteile

Info

1 Quarter turns

2 Rod controls

3 Locking systems

4 Hinges

5 Seals

6 Handles

7 Aluminium windows

8 Miscellaneous

9 Special catalogues

Index

Part no.	Catalogue page	Part no.	Catalogue page	Part no.	Catalogue page	Part no.	Catalogue page
1053-U5	8A-340	1056-U14-01	4B-185	1071-01	8D-320	1091-U139	8A-860
1053-U6	8A-340	1056-U15	4B-200			1091-U140	8A-860
		1056-U16	4B-200	1071-U1	8D-320	1091-U141	8A-860
1054-U1	4A-280	1056-U17	4B-200			1091-U142	8A-860
1054-U2	4A-310	1056-U17-PH	4B-200	1072-01	8D-120	1091-U142-01	8A-860
1054-U3	4A-310	1056-U17-PPPH	4B-200	1072-02	8D-120	1091-U142-02	8A-860
1054-U4	4B-280	1056-U17-PVPH	4B-200	1072-03	8D-120	1091-U142-03	8A-860
1054-U5	4B-280	1056-U18	4B-200			1091-U143	8A-440
1054-U5-PH	4B-280	1056-U19	4B-210	1072-U1	8D-120	1091-U143-02	8A-440
1054-U6	4B-290	1056-U20	4B-210	1072-U11	8D-120	1091-U143-01V	8A-440
1054-U7	4B-280	1056-U21	4B-230	1072-U12	8D-120	1091-U172-30	8D-620
1054-U8	4A-310	1056-U22	4B-230	1072-U13	8D-120	1091-U172-50	8D-620
1054-U9	4A-310	1056-U23	4B-230	1072-U14	8D-120		
1054-U9	4A-310	1056-U24	4B-230	1072-U15	8D-120	1092-03	2B-180
1054-U10	4B-280	1056-U25	4B-230	1072-U16	8D-120	1092-U03	2B-180
1054-U11	4B-290	1056-U26	4B-230	1072-U17	8D-120	1092-U04	2B-180
1054-U12	4B-290	1056-U27	4B-215				
1054-U13	4B-290	1056-U28	4B-215	1076-15	8A-620	1095-05	6A-120
1054-U14	4A-310	1056-U29	4B-215	1076-19	8A-620	1095-06	6A-120
1054-U15	4A-310	1056-U30	4B-190	1076-20	8A-620	1095-07	6A-220
1054-U16	4A-310	1056-U30-01	4B-190			1095-08	6A-220
1054-U17	4A-310	1056-U31	4B-200	1076-U5	8A-240	1095-08	6A-240
1054-U18	4B-280	1056-U32	4B-190	1076-U6	8A-240	1095-09	6A-220
1054-U19	4B-280	1056-U33	4B-240	1076-U7	8A-240	1095-09	6A-240
1054-U20	4B-280	1056-U34	4A-285	1076-U8	8A-240	1095-10	6A-220
1054-U21	4B-280	1056-U34-PH	4A-285	1076-U9	8A-240	1095-10	6A-240
1054-U22	4B-280	1056-U35	4B-240	1076-U10	8A-240	1095-11	6A-220
1054-U23	4A-310	1056-U37	4B-245	1076-U11	8A-240	1095-11	6A-240
1054-U24	4A-310	1056-U38	4B-245	1076-U12	8A-240	1095-12-L	6A-220
1054-U25	4A-310	1056-U39	4B-245	1076-U13	8A-620	1095-12-L	6A-240
1054-U26	4A-310	1056-U40	4B-245			1095-13	6A-220
1054-U27	4B-280	1056-U41	4B-190	1079-U2	4A-285	1095-13	6A-240
1054-U28	4B-280	1056-U42	4B-200	1079-U4	4A-285	1095-14	6A-220
1054-U29	4B-280	1056-U43	4B-240	1079-U5-PH	4A-285	1095-14	6A-240
1054-U30	4A-280	1056-U44	4B-240			1095-19	6A-120
1054-U31	4B-260	1056-U49	4B-240	1080-U1	8A-520	1095-20	6A-220
1054-U31-01	4B-260	1056-U50	4B-240			1095-21	6A-220
1054-U32	4B-260	1056-U51	8E-120	1085-U1	8A-320	1095-24-200AA	6A-140
1054-U32-01	4B-260	1056-U53	4B-212			1095-24-200KB	6A-140
1054-U33-01	4B-250	1056-U53-PH	4B-212	1087-U1	8C-220	1095-24-250AA	6A-140
1054-U33-02	4B-250	1056-U54	4B-212	1087-U1-PC	8C-220	1095-24-250KB	6A-140
1054-U34-01	4B-250	1056-U54-PH	4B-212	1087-U4	8C-220	1095-24-300AA	6A-140
1054-U34-02	4B-250	1056-U55	4B-212			1095-24-300KB	6A-140
1054-U35-01	4B-250	1056-U55-PH	4B-212	1089-U1	2B-220	1095-24-350AA	6A-140
1054-U35-02	4B-250	1056-U56	4B-212	1089-U1	3XB-120	1095-24-350KB	6A-140
1054-U36-LI	4B-255	1056-U56-PH	4B-212	1089-U1	3XB-220	1095-25-200AA	6A-140
1054-U36-RE	4B-255	1056-U57	4B-213	1089-U1	3XB-320	1095-25-200KB	6A-140
1054-U37	4B-248	1056-U57-PH	4B-213	1089-U2	2B-220	1095-25-300AA	6A-140
1054-U39	4B-320	1056-U58	4B-213	1089-U2	3XB-120	1095-25-300KB	6A-140
1054-U42-01	4B-252	1056-U58-PH	4B-213	1089-U2	3XB-220	1095-26-100AA	6A-160
1054-U43-01	4B-253	1056-U59	4B-210	1089-U2	3XB-320	1095-26-100KB	6A-160
1054-U44-01	4B-253	1056-U59-PH	4B-210	1089-U3	2B-220	1095-26-100NA	6A-160
		1056-U60	4B-190	1089-U4	2B-220	1095-26-112AA	6A-160
1055-U2	4A-250	1056-U61	4B-190	1089-U5	3XA-120	1095-26-112KB	6A-160
1055-U3	4B-160	1056-U62	4B-243	1089-U6	3XA-120	1095-26-112NA	6A-160
1055-U4	4B-160	1056-U63	4B-243			1095-26-112PC	6A-160
1055-U5	4A-250	1056-U64	4B-243	1091-152-30G	8D-620	1095-26-128AA	6A-160
1055-U6	4A-250	1056-U65	4B-243	1091-152-40G	8D-620	1095-26-128KB	6A-160
1055-U7	4B-160	1056-U66	4B-207	1091-152-50G	8D-620	1095-26-128NA	6A-160
1055-U8	4A-250	1056-U66-HW	4B-207	1091-152-60G	8D-620	1095-26-128PC	6A-160
1055-U9	4B-160	1056-U68	4B-207			1095-26-160AA	6A-160
		1056-U69	4B-205	1091-U114	8A-420	1095-26-160KB	6A-160
		1056-U110	4B-180	1091-U114-01	8A-420	1095-26-160NA	6A-160
1056-U3	4B-190			1091-U115	8A-420	1095-26-160PC	6A-160
1056-U4	4B-190	1057-U1	1B-820	1091-U115-01	8A-420	1095-26-192AA	6A-160
1056-U5	4B-190	1057-U2	1B-820	1091-U116	8A-420	1095-26-192KB	6A-160
1056-U5-PH	4B-190			1091-U117	4B-300	1095-26-192NA	6A-160
1056-U5-PPPH	4B-190	1059-U1	2B-140	1091-U122	8A-860	1095-26-200AA	6A-160
1056-U5-PVPH	4B-190	1059-U1	2B-220	1091-U123	8A-860	1095-26-200KB	6A-160
1056-U6	4B-190	1059-U2	2B-140	1091-U124	8A-860	1095-26-300AA	6A-160
1056-U6-01	4B-185	1059-U2	2B-220	1091-U125	8A-860	1095-26-300KB	6A-160
1056-U7	4B-200			1091-U126	8A-860	1095-26-300NA	6A-160
1056-U8	4B-200	1068-U1	2A-120	1091-U127	8A-860	1095-26-400AA	6A-160
1056-U9	4B-200	1068-U1	2B-140	1091-U128	8A-860	1095-26-400KB	6A-160
1056-U9-PH	4B-200	1068-U2	2A-120	1091-U129	8A-860	1095-26-400NA	6A-160
1056-U9-PPPH	4B-200	1068-U2	2B-140	1091-U130	8A-860	1095-26-500AA	6A-160
1056-U9-PVPH	4B-200			1091-U131	8A-860	1095-26-500KB	6A-160
1056-U10	4B-200	1069-U1	4A-120	1091-U132	8A-860	1095-26-500NA	6A-160
1056-U10-01	4B-185	1069-U2	4A-120	1091-U133	8A-860	1095-27-112AA	6A-160
1056-U11	4B-205	1069-U3	4A-120	1091-U134	8A-860	1095-27-112KB	6A-160
1056-U12	4B-205	1069-U4	4A-120	1091-U135	8A-860	1095-27-112NA	6A-160
1056-U13	4B-205	1069-U5	4A-120	1091-U136	8A-860	1095-27-128AA	6A-160
1056-U13-PH	4B-205	1069-U6	4A-120	1091-U137	8A-860	1095-27-128KB	6A-160
1056-U13-PPPH	4B-205	1069-U7	4A-134	1091-U138	8A-860	1095-27-128NA	6A-160
1056-U13-PVPH	4B-205	1069-U8	4A-134				
1056-U14	4B-205						

Part no.	Catalogue page	Part no.	Catalogue page	Part no.	Catalogue page	Part no.	Catalogue page
1095-27-160AA	6A-160	1095-U26-600NA	6A-320	1095-U38-125PK	6A-200	1107-U6	3YC-120
1095-27-160KB	6A-160	1095-U27-200AA	6A-320	1095-U39-200PK	6A-200	1107-U14-G	3A-220
1095-27-160NA	6A-160	1095-U27-200NA	6A-320			1107-U32-G	3A-120
1095-28-116AA	6A-160	1095-U27-250AA	6A-320	1097-U1	8C-160	1107-U88	3YB-420
1095-28-116KB	6A-160	1095-U27-250NA	6A-320	1097-U2	8C-160	1107-U88	3YC-120
1095-28-116NA	6A-160	1095-U27-300AA	6A-320	1097-U5	8C-140	1107-U96-G	3A-140
1095-28-116PH	6A-160	1095-U27-300NA	6A-320	1097-U5-PC	8C-140	1107-U102-G	3A-120
1095-28-132AA	6A-160	1095-U27-400AA	6A-320	1097-U6	8C-140	1107-U104-G	3A-220
1095-28-132KB	6A-160	1095-U27-400NA	6A-320			1107-U112	3YC-120
1095-28-132NA	6A-160	1095-U27-500AA	6A-320	1098-U1	2B-190	1107-U113	3YC-120
1095-28-164AA	6A-160	1095-U27-500NA	6A-320	1098-U2	2B-190	1107-U114	3YC-120
1095-28-164KB	6A-160	1095-U27-600AA	6A-320			1107-U115	3YC-120
1095-28-164NA	6A-160	1095-U27-600NA	6A-320	1099-03	2B-230	1107-U116	3YC-120
1095-28-196AA	6A-160	1095-U28-200AA	6A-340	1099-U1	2B-230	1107-U117	3YC-120
1095-28-196KB	6A-160	1095-U28-200NA	6A-340	1099-U4	2B-230	1107-U118	3YC-120
1095-28-196NA	6A-160	1095-U28-250AA	6A-340	1099-U6	2B-230	1107-U119	3YB-420
1095-29-120AA	6A-180	1095-U28-250NA	6A-340			1107-U119	3YC-120
1095-29-120KB	6A-180	1095-U28-300AA	6A-340	1101-03	5A-200	1107-U120	3YB-420
1095-29-180AA	6A-180	1095-U28-300NA	6A-340			1107-U120	3YC-120
1095-29-180KB	6A-180	1095-U28-400AA	6A-340	1102-U1	2A-140	1107-U121	3YB-420
1095-30-120AA	6A-180	1095-U28-400NA	6A-340	1102-U2	2A-140	1107-U121	3YC-120
1095-30-120KB	6A-180	1095-U28-500AA	6A-340	1102-U3	2A-140	1107-U122	3YB-420
1095-30-180AA	6A-180	1095-U28-500NA	6A-340	1102-U4	2A-140	1107-U122	3YC-120
1095-30-180KB	6A-180	1095-U28-600AA	6A-340	1102-U5	2A-140	1107-U123	3YB-420
1095-31-200AA	6A-440	1095-U28-600NA	6A-340	1102-U6	2A-140	1107-U123	3YC-120
1095-32-200AA	6A-440	1095-U29-200AA	6A-340	1102-U7	2A-140	1107-U124	3YB-420
1095-35	6A-120	1095-U29-200NA	6A-340	1102-U8	2A-140	1107-U124	3YC-120
1095-36	6A-120	1095-U29-250AA	6A-340	1102-U9	2A-140	1107-U125	3YB-420
1095-36-WI	6A-120	1095-U29-250NA	6A-340	1102-U10	2A-140	1107-U125	3YC-120
1095-37	6A-120	1095-U29-300AA	6A-340	1102-U11	2A-140	1107-U126	3YB-420
1095-37-WI	6A-120	1095-U29-300NA	6A-340	1102-U12	2A-140	1107-U126	3YC-120
1095-38-125AA	6A-190	1095-U29-400AA	6A-340			1107-U127	3YB-420
1095-38-125PC	6A-190	1095-U29-400NA	6A-340	1103-U1	2A-140	1107-U127	3YC-120
1095-38-125RA	6A-190	1095-U29-500AA	6A-340	1103-U2	2A-140	1107-U128	3YB-420
1095-38-250AA	6A-190	1095-U29-500NA	6A-340	1103-U3	2A-140	1107-U128	3YC-120
1095-38-250PC	6A-190	1095-U29-600AA	6A-340	1103-U4	2A-140	1107-U129	3YB-420
1095-38-250RA	6A-190	1095-U29-600NA	6A-340	1103-U5	2A-140	1107-U129	3YC-120
1095-39-125PC	6A-190	1095-U30-200AA	6A-360	1103-U6	2A-140	1107-U130	3YB-420
1095-40-100AA	6A-200	1095-U30-200NA	6A-360	1103-U7	2A-140	1107-U130	3YC-120
1095-40-120AA	6A-200	1095-U30-250AA	6A-360	1103-U8	2A-140	1107-U131	3YB-420
1095-40-180AA	6A-200	1095-U30-250NA	6A-360	1103-U9	2A-140	1107-U131	3YC-120
1095-40-200AA	6A-200	1095-U30-300AA	6A-360	1103-U10	2A-140	1107-U132	3YB-420
1095-41-500AA	6A-210	1095-U30-300NA	6A-360	1103-U11	2A-140	1107-U132	3YC-120
1095-41-600AA	6A-210	1095-U30-400AA	6A-360	1103-U12	2A-140	1107-U133	3YB-420
1095-41-800AA	6A-210	1095-U30-400NA	6A-360	1103-U13	2A-140	1107-U133	3YC-120
1095-42-100AA	6A-160	1095-U30-500AA	6A-360	1103-U14	2A-140	1107-U134	3YB-420
1095-42-100KB	6A-160	1095-U30-500NA	6A-360	1103-U15	2A-140	1107-U134	3YC-120
1095-42-112AA	6A-160	1095-U30-600AA	6A-360	1103-U16	2A-140	1107-U135	3YB-420
1095-42-112KB	6A-160	1095-U30-600NA	6A-360	1103-U17	2A-140	1107-U135	3YC-120
1095-42-112PS	6A-160	1095-U31-200AA	6A-360	1103-U18	2A-140	1107-U158-G	3A-120
1095-42-120AA	6A-160	1095-U31-200NA	6A-360	1103-U19	2A-140	1107-U159-G	3A-120
1095-42-120KB	6A-160	1095-U31-250AA	6A-360	1103-U20	2A-140	1107-U164-G	3A-140
1095-42-128AA	6A-160	1095-U31-250NA	6A-360	1103-U21	2A-140	1107-U169-G	3A-120
1095-42-128KB	6A-160	1095-U31-300AA	6A-360	1103-U22	2A-140	1107-U170	3A-120
1095-42-128PS	6A-160	1095-U31-300NA	6A-360	1103-U23	2A-140	1107-U170	3A-140
1095-42-160AA	6A-160	1095-U31-400AA	6A-360	1103-U24	2A-140	1107-U170	3AB-140
1095-42-160KB	6A-160	1095-U31-400NA	6A-360	1103-U25	2A-140	1107-U242-25	3YC-140
1095-42-160PS	6A-160	1095-U31-500AA	6A-360	1103-U26	2A-140	1107-U243-25	3YC-140
		1095-U31-500NA	6A-360	1103-U27	2A-140	1107-U246	3YB-460
1095-U01	6A-240	1095-U31-600AA	6A-360	1103-U28	2A-140	1107-U246	3YC-180
1095-U24-250AA	6A-140	1095-U31-600NA	6A-360	1103-U29	2A-140	1107-U246-PH	3YB-460
1095-U24-250KB	6A-140	1095-U32-AA	6A-420	1103-U30	2A-140	1107-U246-PH	3YC-180
1095-U24-300AA	6A-140	1095-U32-100IA	6A-420	1103-U31	2A-140		
1095-U24-300KB	6A-140	1095-U32-100PF	6A-420	1103-U32	2A-140	1108-U35	8B-140
1095-U24-350AA	6A-140	1095-U32-120IA	6A-420	1103-U33	2A-140	1108-U36	8B-140
1095-U24-350KB	6A-140	1095-U32-120PF	6A-420	1103-U34	2A-140	1108-U37	8B-140
1095-U24-400AA	6A-140	1095-U32-180IA	6A-420	1103-U35	2A-140	1108-U38	8B-140
1095-U24-400KB	6A-140	1095-U32-180PF	6A-420	1103-U36	2A-140	1108-U52	3XB-120
1095-U25-250AA	6A-140	1095-U33-100AA	6A-420	1103-U37	2A-140	1108-U52-V	3XB-120
1095-U25-250KB	6A-140	1095-U33-200AA	6A-420	1103-U38	2A-140		
1095-U25-350AA	6A-140	1095-U33-300AA	6A-420	1103-U39	2A-140	1109-09-AA	2B-220
1095-U25-350KB	6A-140	1095-U33-400AA	6A-420	1103-U40	2A-140	1109-09-AA	3G-320
1095-U25-500AA	6A-140	1095-U33-500AA	6A-420			1109-09-AA	3XB-120
1095-U25-500KB	6A-140	1095-U35-100AA	6A-190	1105-U1	4A-280	1109-09-AA	3XB-220
1095-U26-200AA	6A-320	1095-U35-100PF	6A-190			1109-990	3XC-120
1095-U26-200NA	6A-320	1095-U35-100PK	6A-190	1107-11-03AA	3AB-140		
1095-U26-250AA	6A-320	1095-U35-100RA	6A-190	1107-53	3A-120	1109-U1-N	3XB-120
1095-U26-250NA	6A-320	1095-U35-200AA	6A-190	1107-53	3A-140	1109-U2-N	3XB-120
1095-U26-300AA	6A-320	1095-U35-200PF	6A-190	1107-53	3AB-140	1109-U3	3XB-120
1095-U26-300NA	6A-320	1095-U35-200PK	6A-190			1109-U4-N	3XB-120
1095-U26-400AA	6A-320	1095-U35-200RA	6A-190	1107-U1-G	3A-120	1109-U5-N	3B-420
1095-U26-400NA	6A-320	1095-U36-500AA	6A-210	1107-U2-G	3A-120	1109-U5-N	3XB-120
1095-U26-500AA	6A-320	1095-U36-600AA	6A-210	1107-U5	3YB-420	1109-U6-N	3XB-120
1095-U26-500NA	6A-320	1095-U36-800AA	6A-210	1107-U5	3YC-120	1109-U7-N	3XB-120
1095-U26-600AA	6A-320	1095-U37-AA	6A-440	1107-U6	3YB-420	1109-U8-N	3XB-120

1	Quarter turns
2	Rod controls
3	Locking systems
4	Hinges
5	Seals
6	Handles
7	Aluminium windows
8	Miscellaneous
9	Special catalogues

Part no.	Catalogue page	Part no.	Catalogue page	Part no.	Catalogue page	Part no.	Catalogue page
1109-U9-N	3XB-120	1110-39-02	4B-240	1121-18-02	3ZA-610	1121-U17	3BA-120
1109-U10-N	3XB-120	1110-39-03	4A-220	1121-18-02PH	3ZA-1220	1121-U17	3G-120
1109-U11-N	3XB-120	1110-39-03	4B-240	1121-19	3ZC-120	1121-U17	3H-120
1109-U12-N	3XB-120			1121-19-N	3ZC-120	1121-U17-PH	3B-120
1109-U13-N	3XB-120	1110-U1	4A-121	1121-32	3B-120	1121-U18	3B-120
1109-U14-N	3XB-120	1110-U2	4A-150	1121-32	3BA-120	1121-U18	3BA-120
1109-U15-N	3XB-120	1110-U3	4A-150	1121-32	3BA-120	1121-U18	3G-120
1109-U17-N	3XB-120	1110-U4-N	4A-150	1121-32	3G-120	1121-U18	3H-120
1109-U18	3XA-120	1110-U5-N	4A-150	1121-32	3H-120	1121-U19-06	3B-120
1109-U18-01	3XB-320	1110-U5-NPH	4A-150	1121-53-P	3ZA-1220	1121-U19-N6	3B-120
1109-U19	3XA-120	1110-U19	4A-140	1121-54-P	3ZA-1220	1121-U20-06	3B-120
1109-U19-01	3XB-320	1110-U20	4A-140	1121-68-01RA	3ZA-260	1121-U20-N6	3B-120
1109-U20	3XA-120	1110-U21	4A-140	1121-68-03RA	3ZA-260	1121-U22-06	3B-120
1109-U20-01	3XB-320	1110-U22	4A-140	1121-68-05RA	3ZA-260	1121-U22-6PH	3B-120
1109-U21	3XA-120	1110-U23	4A-140	1121-68-07RA	3ZA-260	1121-U23-06	3B-120
1109-U21-01	3XB-320	1110-U24	4A-140	1121-70	3ZA-1220	1121-U24	3B-120
1109-U22	3XA-120	1110-U26	4A-450	1121-70-01	3ZA-1220	1121-U24	3BA-120
1109-U22-01	3XB-320	1110-U50	4A-150	1121-70-04SK	3ZA-1220	1121-U24	3H-120
1109-U23	3XA-120	1110-U51	4A-150	1121-71-01PC	3ZA-220	1121-U25	3YA-820
1109-U23-01	3XB-320	1110-U52	4A-170	1121-71-01RA	3ZA-220	1121-U26-C	3YA-120
1109-U24	3XA-120	1110-U53	4A-170	1121-71-01TA	3ZA-220	1121-U26-K	3YA-110
1109-U24-01	3XB-320	1110-U66	4A-210	1121-71-03PC	3ZA-220	1121-U28-L	3ZB-120
1109-U25	3XA-120	1110-U67	4A-210	1121-71-03RA	3ZA-220	1121-U29-C	3YA-140
1109-U25-01	3XB-320	1110-U68	4A-210	1121-71-03TA	3ZA-220	1121-U30-L	3ZB-120
1109-U26	3XA-120	1110-U69	4A-210	1121-71-05PC	3ZA-220	1121-U37-C	3YA-160
1109-U26-01	3XB-320	1110-U70	4A-210	1121-71-05RA	3ZA-220	1121-U38-C	3YA-120
1109-U27	3XA-120	1110-U71	4A-210	1121-71-05TA	3ZA-220	1121-U39-C	3YA-140
1109-U27-01	3XB-320	1110-U78	4A-220	1121-71-07PC	3ZA-220	1121-U40	3YA-820
1109-U28	3XA-120	1110-U79	4A-220	1121-71-07RA	3ZA-220	1121-U51-C	3YA-220
1109-U28-01	3XB-320	1110-U80	4A-220	1121-71-07TA	3ZA-220	1121-U52-C	3YA-240
1109-U29	3XA-120	1110-U81	4A-220	1121-89	3ZC-120	1121-U53-C	3YA-220
1109-U29-01	3XB-320	1110-U82	4A-220	1121-89-11	3ZA-610	1121-U60-C	3YA-160
1109-U30	3XA-120	1110-U83	4A-220	1121-89-11	3ZC-120	1121-U61-C	3YA-160
1109-U30-01	3XB-320	1110-U86	4A-190	1121-89-CX	3ZC-120	1121-U62-06	3B-120
1109-U31	3XA-120	1110-U104	4A-210	1121-106	3ZA-600	1121-U63-06	3B-120
1109-U31-01	3XB-320	1110-U105	4A-210	1121-106	3ZA-610	1121-U63-N6	3B-120
1109-U32	3XA-120	1110-U106	4A-210	1121-106	3ZC-140	1121-U65	3YA-180
1109-U32-01	3XB-320	1110-U107	4A-210	1121-108-AA	3ZA-1240	1121-U71-N	3ZC-140
1109-U33	3XA-120	1110-U108	4A-210	1121-109	3ZC-140	1121-U71-PH	3ZC-140
1109-U33-01	3XB-320	1110-U109	4A-210	1121-112	3ZB-220	1121-U72	3B-120
1109-U34	3XA-120	1110-U111	4A-480	1121-113	3ZB-220	1121-U72	3BA-120
1109-U34-01	3XB-320	1110-U112	4A-460	1121-115	3ZA-340	1121-U72	3G-120
1109-U35	3XA-120	1110-U113	4A-460	1121-115-01	3ZA-340	1121-U74-N	3ZC-140
1109-U35-01	3XB-320	1110-U114	4A-450	1121-115-01CX	3ZA-340	1121-U76	3ZA-1220
1109-U50	3XA-120	1110-U118	4A-210	1121-116-01	3ZA-340	1121-U76	3ZA-600
1109-U50-01	3XB-320	1110-U119	4A-210	1121-116-01CX	3ZA-340	1121-U76	3ZA-610
1109-U51	3XA-120	1110-U120	4A-210	1121-117	3YA-720	1121-U85-C	3YA-120
1109-U51-01	3XB-320	1110-U120-PH	4A-210	1121-127	3ZC-160	1121-U86-C	3YA-120
1109-U52	3XA-120	1110-U121	4A-210	1121-135	3ZC-170	1121-U91	3ZC-120
1109-U53	3XA-120	1110-U121-PH	4A-210	1121-148	3ZA-605	1121-U99	3ZA-220
1109-U54-N	3XB-120	1110-U122	4A-215	1121-149	3ZA-605	1121-U100	3ZA-220
1109-U55-N	3XB-120	1110-U123	4A-170	1121-168-CX	3FA-130	1121-U101	3ZA-220
1109-U58	3XA-120	1110-U125	4A-140	1121-168-CX	3FA-150	1121-U105	3ZA-220
1109-U58-01	3XB-320	1110-U126	4A-215	1121-169	3ZD-200	1121-U106	3ZA-220
1109-U59	3XB-120	1110-U127	4A-138			1121-U107	3ZA-220
1109-U60	3XB-120	1110-U128	4A-138	1121-U1-C	3YA-160	1121-U111	3ZA-220
1109-U61	3XB-120	1110-U129	4A-138	1121-U1-K	3YA-115	1121-U112	3ZA-220
1109-U101	3XC-120	1110-U130	4A-138	1121-U11	3B-120	1121-U113	3ZA-220
1109-U103	3XC-120	1110-U130-IA	4A-138	1121-U11	3BA-120	1121-U117	3ZA-220
1109-U104	3XC-120	1110-U131	4A-160	1121-U11	3G-120	1121-U118	3ZA-220
1109-U105	3XC-120	1110-U132	4A-160	1121-U11	3H-120	1121-U119	3ZA-220
1109-U106	3XC-120	1110-U133	4A-215	1121-U12	3B-120	1121-U123	3B-120
1109-U107	3XC-120	1110-U134	4A-145	1121-U12	3BA-120	1121-U123	3BA-120
1109-U108	3XC-120	1110-U135	4A-145	1121-U12	3G-120	1121-U123	3G-120
1109-U109	3XC-120	1110-U136	4A-145	1121-U12	3H-120	1121-U123	3H-120
1109-U110	3XC-120	1110-U137	4A-145	1121-U12-PH	3B-120	1121-U124-C	3YA-160
1109-U111	3XC-120	1110-U140	4A-139	1121-U13	3B-120	1121-U125-C	3YA-120
1109-U112	3XC-120	1110-U141	4A-160	1121-U13	3BA-120	1121-U126-C	3YA-220
1109-U113	3XC-120	1110-U142	4A-217	1121-U13	3G-120	1121-U132-06	3B-120
1109-U114	3XC-120			1121-U13	3H-120	1121-U133-06	3B-120
1109-U115	3XC-120	1117-U1	4C-120	1121-U13	3B-120	1121-U133-6PH	3B-120
1109-U116	3XC-120	1117-U1-PF	4C-120	1121-U14	3BA-120	1121-U134-06	3B-120
1109-U117	3XC-120	1117-U2	4C-120	1121-U14	3G-120	1121-U135-06	3B-120
1109-U118	3XC-120	1117-U3	4C-120	1121-U14	3H-120	1121-U137	3ZA-1220
1109-U119	3XC-120	1117-U4	4C-120	1121-U14-PH	3B-120	1121-U138	3YA-160
1109-U120	3XC-120	1117-U4-PC	4C-120	1121-U15	3B-120	1121-U139	3YA-120
1109-U121	3XC-120	1117-U5	4C-120	1121-U15	3BA-120	1121-U140	3YA-440
1109-U122	3XC-120	1117-U5-PC	4C-120	1121-U15	3G-120	1121-U144-L	3ZB-320
1109-U123	3XC-120	1117-U6	4C-130	1121-U15	3H-120	1121-U144-L	3ZB-220
		1117-U6-01	4C-130	1121-U16	3B-120	1121-U145-L	3ZB-520
		1117-U6-02	4C-130	1121-U16	3BA-120	1121-U145-L	3ZB-620
1110-39	4A-210			1121-U16	3G-120	1121-U145-L	3ZB-820
1110-39	4A-215			1121-U16	3H-120	1121-U146-L	3ZB-440
1110-39-01	4A-210	1121-18-01	3ZA-1220	1121-U16	3B-120	1121-U146-L	3ZB-540
1110-39-01	4A-215	1121-18-02	3ZA-1220	1121-U16-PH	3B-120	1121-U146-L	3ZB-540
1110-39-02	4A-220	1121-18-02	3ZA-600	1121-U17	3B-120	1121-U146-L	3ZB-720

Part no.	Catalogue page	Part no.	Catalogue page	Part no.	Catalogue page	Part no.	Catalogue page
1121-U147-L	3ZB-440	1123-U34-N6	3B-180	1125-U184-A	3B-420	1125-U253-A	3B-220
1121-U147-L	3ZB-540	1123-U35-06	3B-180	1125-U184-APH	3B-420	1125-U253-NA	3B-220
1121-U147-L	3ZB-720	1123-U36-06	3B-180	1125-U185-A	3B-220	1125-U254-A	3B-220
1121-U148	3ZB-120	1123-U37-06	3B-180	1125-U186-A	3B-220	1125-U254-NA	3B-220
1121-U151	3ZC-120	1123-U38-06	3B-180	1125-U190-A	3B-220	1125-U255-A	3B-220
1121-U152	3ZA-1220	1123-U38-N6	3B-180	1125-U190-NA	3B-220	1125-U255-NA	3B-220
1121-U153-C	3YA-160	1123-U39-06	3B-180	1125-U191-A	3B-220	1125-U256-A	3B-220
1121-U154-C	3YA-160	1123-U40-06	3B-180	1125-U191-NA	3B-220	1125-U256-NA	3B-220
1121-U155	3ZA-260	1123-U41-06	3B-180	1125-U191-APH	3B-220	1125-U257-A	3B-220
1121-U155-01	3ZA-1210	1123-U41-N6	3B-180	1125-U191-AQA	3B-220	1125-U257-NA	3B-220
1121-U158	3ZA-260	1123-U42-06	3B-180	1125-U193-A	3B-220	1125-U268-A	3B-220
1121-U158-01	3ZA-1210			1125-U194-A	3B-220	1125-U269-A	3B-220
1121-U161	3ZA-260	1125-73	3B-220	1125-U195-A	3B-220	1125-U275-A	3B-220
1121-U161-01	3ZA-1210	1125-81-010	3YB-120	1125-U195-NA	3B-220	1125-U276-A	3B-220
1121-U164	3ZA-260	1125-81-010	3YB-140	1125-U196-A	3B-220	1125-U282-A	3B-220
1121-U164-01	3ZA-1210	1125-81-015	3YB-120	1125-U196-NA	3B-220	1125-U282-NA	3B-220
1121-U167	3B-120	1125-81-015	3YB-140	1125-U198-A	3B-220	1125-U283-A	3B-220
1121-U167	3BA-120	1125-81-020	3YB-120	1125-U200-A	3B-420	1125-U283-NA	3B-220
1121-U167	3G-120	1125-81-020	3YB-140	1125-U201-A	3B-420	1125-U284	3YB-120
1121-U167	3H-120	1125-81-025	3YB-120	1125-U202-A	3B-220	1125-U284-PH	3YB-120
1121-U168	3B-140	1125-81-025	3YB-140	1125-U202-NA	3B-220	1125-U285	3YB-120
1121-U169	3B-120	1125-81-030	3YB-120	1125-U203-A	3B-220	1125-U286	3YB-120
1121-U169	3BA-120	1125-81-030	3YB-140	1125-U203-NA	3B-220	1125-U286	3YB-140
1121-U169	3G-120	1125-81-040	3YB-120	1125-U206-A	3B-220	1125-U286-PH	3YB-120
1121-U169	3H-120	1125-81-040	3YB-140	1125-U206-NA	3B-220	1125-U287	3YB-120
1121-U177-C	3YA-160	1125-81-050	3YB-120	1125-U207-A	3B-220	1125-U288	3YB-120
1121-U178-C	3YA-120	1125-81-050	3YB-140	1125-U207-NA	3B-220	1125-U289	3B-320
1121-U180-C	3YA-480	1125-81-060	3YB-120	1125-U210-A	3B-220	1130-U1	8A-120
1121-U181-C	3YA-480	1125-81-060	3YB-140	1125-U210-NA	3B-220	1130-U2	8A-120
1121-U187-L	3ZB-200	1125-81-080	3YB-120	1125-U211-A	3B-220	1130-U7	8A-170
1121-U188	3YA-840	1125-81-080	3YB-140	1125-U211-NA	3B-220	1130-U7-01	8A-170
1121-U189	3ZB-200	1125-81-100	3YB-120	1125-U212-A	3B-220	1130-U7-V	8A-170
1121-U194	3ZA-1210	1125-81-100	3YB-140	1125-U212-NA	3B-220	1130-U7-01V	8A-170
1121-U19A-06	3B-120	1125-81-110	3YB-120	1125-U213-A	3B-220	1130-U9	8A-160
1121-U203	3ZD-160	1125-81-110	3YB-140	1125-U213-NA	3B-220	1130-U13	8A-160
1121-U204	3ZD-160	1125-81-120	3YB-120	1125-U214-A	3B-220	1130-U15	8A-110
1121-U205	3ZD-220	1125-81-120	3YB-140	1125-U214-NA	3B-220	1130-U16	8A-110
1121-U206	3ZA-1120	1125-81-020PH	3YB-120	1125-U215-A	3B-220		
1121-U22A-06	3B-120	1125-81-020QA	3YB-120	1125-U215-NA	3B-220		
		1125-83-010	3YB-120	1125-U216-A	3B-220	1150-B33	3C-160
1122-117	3YA-190	1125-83-010	3YB-140	1125-U216-NA	3B-220		
		1125-83-015	1C-125	1125-U217-A	3B-220	1150-U1	3C-120
1122-U26-K	3YA-190	1125-83-015	3YB-120	1125-U217-NA	3B-220	1150-U1-02	3C-120
		1125-83-015	3YB-140	1125-U218-A	3B-220	1150-U1-03	3C-120
		1125-83-020	1C-125	1125-U218-NA	3B-220	1150-U2-01	3C-120
1123-U1-06	3B-180	1125-83-020	3YB-120	1125-U219-A	3B-220	1150-U2-02	3C-120
1123-U1-N6	3B-180	1125-83-020	3YB-140	1125-U219-NA	3B-220	1150-U2-03	3C-120
1123-U2-06	3B-180	1125-83-025	3YB-120	1125-U220-A	3B-220	1150-U2-11	3C-720
1123-U2-N6	3B-180	1125-83-025	3YB-140	1125-U220-NA	3B-220	1150-U2-12	3C-720
1123-U3-06	3B-180	1125-83-030	3YB-120	1125-U221-A	3B-220	1150-U2-13	3C-730
1123-U3-N6	3B-180	1125-83-030	3YB-140	1125-U221-NA	3B-220	1150-U3	3C-120
1123-U4-06	3B-180	1125-83-040	3YB-120	1125-U222-A	3B-220	1150-U3-02	3C-120
1123-U5-06	3B-180	1125-83-040	3YB-140	1125-U222-NA	3B-220	1150-U3-03	3C-120
1123-U6-06	3B-180	1125-83-050	3YB-120	1125-U223-A	3B-220	1150-U4	3C-120
1123-U7-06	3B-180	1125-83-050	3YB-140	1125-U223-NA	3B-220	1150-U4-01	3C-120
1123-U7-N6	3B-180	1125-83-060	3YB-120	1125-U224-A	3B-220	1150-U4-02	3C-120
1123-U8-06	3B-180	1125-83-060	3YB-140	1125-U224-NA	3B-220	1150-U4-03	3C-120
1123-U8-N6	3B-180	1125-84-010	3YB-120	1125-U225-A	3B-220	1150-U4-11	3C-720
1123-U9-06	3B-180	1125-84-010	3YB-140	1125-U225-NA	3B-220	1150-U4-12	3C-720
1123-U9-N6	3B-180	1125-84-015	1C-125	1125-U236-A	3B-220	1150-U4-13	3C-730
1123-U10-06	3B-180	1125-84-015	3YB-120	1125-U236-NA	3B-220	1150-U9	3C-120
1123-U11-06	3B-180	1125-84-015	3YB-140	1125-U239-A	3B-220	1150-U9-01	3C-120
1123-U12-06	3B-180	1125-84-020	1C-125	1125-U239-NA	3B-220	1150-U9-02	3C-120
1123-U13-06	3B-180	1125-84-020	3YB-120	1125-U242-A	3B-220	1150-U9-03	3C-120
1123-U13-N6	3B-180	1125-84-020	3YB-140	1125-U242-NA	3B-220	1150-U9-11	3C-720
1123-U14-06	3B-180	1125-84-025	3YB-120	1125-U243-A	3B-220	1150-U9-12	3C-720
1123-U14-N6	3B-180	1125-84-025	3YB-140	1125-U243-NA	3B-220	1150-U9-13	3C-730
1123-U15-06	3B-180	1125-84-030	3YB-120	1125-U244-A	3B-220	1150-U10	3C-120
1123-U15-N6	3B-180	1125-84-030	3YB-140	1125-U244-NA	3B-220	1150-U10-01	3C-120
1123-U16-06	3B-180	1125-84-030	3YB-120	1125-U245-A	3B-220	1150-U10-02	3C-120
1123-U17-06	3B-180	1125-84-040	3YB-120	1125-U245-NA	3B-220	1150-U10-03	3C-120
1123-U18-06	3B-180	1125-84-040	3YB-140	1125-U246-A	3B-220	1150-U10-11	3C-720
1123-U19-06	3B-180	1125-84-050	3YB-120	1125-U246-NA	3B-220	1150-U10-12	3C-720
1123-U20-06	3B-180	1125-84-060	3YB-120	1125-U247-A	3B-220	1150-U10-13	3C-730
1123-U21-06	3B-180	1125-84-060	3YB-140	1125-U247-NA	3B-220	1150-U11	3C-120
1123-U22-06	3B-180			1125-U248-A	3B-220	1150-U11-01	3C-120
1123-U25-06	3B-180	1125-U51-A	3B-320	1125-U248-NA	3B-220	1150-U11-02	3C-120
1123-U26-06	3B-180	1125-U53-A	3B-320	1125-U249-A	3B-220	1150-U11-03	3C-120
1123-U27-06	3B-180	1125-U55-A	3B-320	1125-U249-NA	3B-220	1150-U11-11	3C-720
1123-U28-06	3B-180	1125-U56-A	3B-320	1125-U250-A	3B-220	1150-U11-12	3C-720
1123-U29-06	3B-180	1125-U57-A	3B-320	1125-U250-NA	3B-220	1150-U11-13	3C-730
1123-U30-06	3B-180	1125-U58-A	3B-320	1125-U251-A	3B-220	1150-U12	3C-120
1123-U31-06	3B-180	1125-U59-A	3B-320	1125-U251-NA	3B-220	1150-U12-01	3C-120
1123-U32-06	3B-180	1125-U60-A	3B-320	1125-U252-A	3B-220	1150-U12-02	3C-120
1123-U33-06	3B-180	1125-U61-A	3B-320	1125-U252-NA	3B-220	1150-U12-03	3C-120
1123-U34-06	3B-180						

1	Quarter turns
2	Rod controls
3	Locking systems
4	Hinges
5	Seals
6	Handles
7	Aluminium windows
8	Miscellaneous
9	Special catalogues

## Beschlagteile

Info

1 Quarter turns

2 Rod controls

3 Locking systems

4 Hinges

5 Seals

6 Handles

7 Aluminium windows

8 Miscellaneous

9 Special catalogues

Index

Part no.	Catalogue page	Part no.	Catalogue page	Part no.	Catalogue page	Part no.	Catalogue page
1150-U12-11	3C-720	1150-U29-03	3C-120	1151-05-01	3C-420	1160-U60	3D-120
1150-U12-12	3C-720	1150-U30	3C-120			1160-U61	3D-120
1150-U12-13	3C-730	1150-U30-02	3C-120	1151-U1	3C-420	1160-U62	3D-120
1150-U13	3C-120	1150-U30-03	3C-120	1151-U3	3C-440	1160-U63	3D-120
1150-U13-01	3C-120	1150-U31	3C-120			1160-U64	3D-120
1150-U13-02	3C-120	1150-U31-01	3C-120	1152-U1	3C-520	1160-U65	3D-120
1150-U13-03	3C-120	1150-U31-02	3C-120	1152-U2	3C-520	1160-U66	3D-120
1150-U13-11	3C-720	1150-U31-03	3C-120	1152-U3	3C-520	1160-U101	3D-220
1150-U13-12	3C-720	1150-U31-11	3C-720	1152-U4	3C-520	1160-U102	3D-220
1150-U13-13	3C-730	1150-U31-12	3C-720	1152-U9	3C-540	1160-U103	3D-220
1150-U14	3C-120	1150-U31-13	3C-730	1152-U9-01	3C-540	1160-U104	3D-220
1150-U14-01	3C-120	1150-U32	3C-120	1152-U10	3C-540	1160-U109	3D-220
1150-U14-02	3C-120	1150-U32-02	3C-120	1152-U10-01	3C-540	1160-U110	3D-220
1150-U14-03	3C-120	1150-U32-03	3C-120	1152-U11	3C-540	1160-U111	3D-220
1150-U14-11	3C-720	1150-U33-03	3C-140	1152-U11-01	3C-540	1160-U112	3D-220
1150-U14-12	3C-720	1150-U33-22	3C-740	1152-U12	3C-540	1160-U113	3D-220
1150-U14-13	3C-730	1150-U34-03	3C-140	1152-U12-01	3C-540	1160-U114	3D-220
1150-U15	3C-120	1150-U34-22	3C-740			1160-U115	3D-220
1150-U15-01	3C-120	1150-U35-03	3C-140	1153-U1	3C-320	1160-U116	3D-220
1150-U15-02	3C-120	1150-U35-22	3C-740	1153-U2	3C-320	1160-U117	3D-220
1150-U15-03	3C-120	1150-U35-30	3C-740			1160-U118	3D-220
1150-U15-11	3C-720	1150-U35-31	3C-740	1154-U1	3C-220	1160-U119	3D-220
1150-U15-12	3C-720	1150-U36-03	3C-140	1154-U2	3C-220	1160-U120	3D-220
1150-U15-13	3C-730	1150-U36-22	3C-740	1154-U3	3C-220	1160-U121	3D-220
1150-U16	3C-120	1150-U36-30	3C-740	1154-U4	3C-260	1160-U122	3D-220
1150-U16-01	3C-120	1150-U36-31	3C-740	1154-U5	3C-260	1160-U123	3D-220
1150-U16-02	3C-120	1150-U37-03	3C-140	1154-U6	3C-240	1160-U124	3D-220
1150-U16-03	3C-120	1150-U37-22	3C-740	1154-U6-02	3C-240	1160-U125	3D-220
1150-U16-11	3C-720	1150-U37-30	3C-740	1154-U6-03	3C-240	1160-U126	3D-220
1150-U16-12	3C-720	1150-U37-31	3C-740	1154-U6-V	3C-240	1160-U127	3D-220
1150-U16-13	3C-730	1150-U38-03	3C-140	1154-U6-02V	3C-240	1160-U128	3D-220
1150-U17	3C-120	1150-U38-22	3C-740	1154-U6-03V	3C-240	1160-U129	3D-220
1150-U17-01	3C-120	1150-U38-30	3C-740			1160-U130	3D-220
1150-U17-02	3C-120	1150-U38-31	3C-740	1155-U1	3C-620	1160-U131	3D-220
1150-U17-03	3C-120	1150-U39-03	3C-140	1155-U1-11	3C-750	1160-U132	3D-220
1150-U17-11	3C-720	1150-U39-22	3C-740	1155-U2	3C-620	1160-U135	3D-220
1150-U17-12	3C-720	1150-U39-30	3C-740	1155-U2-11	3C-750	1160-U136	3D-220
1150-U17-13	3C-730	1150-U39-31	3C-740			1160-U152	3D-220
1150-U18	3C-120	1150-U40-03	3C-140	1160-08-01RA	3ZA-420	1160-U153	3D-220
1150-U18-01	3C-120	1150-U40-22	3C-740	1160-08-03RA	3ZA-420	1160-U154	3D-220
1150-U18-02	3C-120	1150-U40-30	3C-740	1160-08-05RA	3ZA-420	1160-U155	3D-220
1150-U18-03	3C-120	1150-U40-31	3C-740	1160-08-07RA	3ZA-420	1160-U156	3D-220
1150-U18-11	3C-720	1150-U41-03	3C-140	1160-09-01RA	3ZA-420	1160-U157	3D-220
1150-U18-12	3C-720	1150-U41-22	3C-740	1160-09-03RA	3ZA-420	1160-U158	3D-220
1150-U18-13	3C-730	1150-U41-30	3C-740	1160-09-05RA	3ZA-420	1160-U159	3D-220
1150-U19	3C-120	1150-U41-31	3C-740	1160-09-07RA	3ZA-420	1160-U160	3D-220
1150-U19-01	3C-120	1150-U42-03	3C-140			1160-U161	3D-220
1150-U19-02	3C-120	1150-U42-22	3C-740	1160-U1	3D-120	1160-U162	3D-220
1150-U19-03	3C-120	1150-U42-30	3C-740	1160-U2	3D-120	1160-U163	3D-220
1150-U19-11	3C-720	1150-U42-31	3C-740	1160-U3	3D-120	1160-U164	3D-220
1150-U19-12	3C-720	1150-U43-03	3C-140	1160-U4	3D-120	1160-U165	3D-220
1150-U19-13	3C-730	1150-U43-22	3C-740	1160-U9	3D-120	1160-U166	3D-220
1150-U26	3C-120	1150-U43-30	3C-740	1160-U10	3D-120	1160-U200-LI	3D-140
1150-U20	3C-120	1150-U43-31	3C-740	1160-U11	3D-120	1160-U200-RE	3D-140
1150-U20-02	3C-120	1150-U44-03	3C-140	1160-U12	3D-120	1160-U201	3D-140
1150-U20-03	3C-120	1150-U44-22	3C-740	1160-U13	3D-120	1160-U202	3D-140
1150-U20-11	3C-720	1150-U44-30	3C-740	1160-U14	3D-120	1160-U203	3D-140
1150-U20-12	3C-720	1150-U44-31	3C-740	1160-U15	3D-120	1160-U204	3D-140
1150-U20-13	3C-730	1150-U45-03	3C-140	1160-U16	3D-120	1160-U235	3D-140
1150-U21	3C-120	1150-U45-22	3C-740	1160-U17	3D-120	1160-U236	3D-140
1150-U21-02	3C-120	1150-U45-30	3C-740	1160-U18	3D-120		
1150-U21-03	3C-120	1150-U45-31	3C-740	1160-U19	3D-120	1180-08-01RA	3ZA-520
1150-U22	3C-120	1150-U46-03	3C-140	1160-U20	3D-120	1180-08-03RA	3ZA-520
1150-U22-02	3C-120	1150-U46-22	3C-740	1160-U21	3D-120	1180-08-05RA	3ZA-520
1150-U22-03	3C-120	1150-U46-30	3C-740	1160-U22	3D-120	1180-08-07RA	3ZA-520
1150-U23	3C-120	1150-U46-31	3C-740	1160-U23	3D-120	1180-09-01RA	3ZA-520
1150-U23-02	3C-120	1150-U50-01	3C-780	1160-U24	3D-120	1180-09-03RA	3ZA-520
1150-U23-03	3C-120	1150-U50-02	3C-780	1160-U25	3D-120	1180-09-05RA	3ZA-520
1150-U24	3C-120	1150-U50-03	3C-780	1160-U26	3D-120	1180-09-07RA	3ZA-520
1150-U24-02	3C-120	1150-U51-02	3C-780	1160-U27	3D-120		
1150-U24-03	3C-120	1150-U52	3C-780	1160-U28	3D-120	1180-U1	3E-120
1150-U25	3C-120	1150-U53	3C-780	1160-U29	3D-120	1180-U2	3E-120
1150-U25-02	3C-120	1150-U54	3C-780	1160-U30	3D-120	1180-U3	3E-120
1150-U25-03	3C-120	1150-U55-01	3C-120	1160-U31	3D-120	1180-U4	3E-120
1150-U26	3C-120	1150-U55-03	3C-120	1160-U32	3D-120	1180-U5	3E-120
1150-U26-02	3C-120	1150-U56	3C-160	1160-U35	3D-120	1180-U6	3E-120
1150-U26-03	3C-120	1150-U56-01	3C-160	1160-U36	3D-120	1180-U7	3E-120
1150-U27	3C-120	1150-U56-V	3C-160	1160-U52	3D-120	1180-U8	3E-120
1150-U27-02	3C-120	1150-U56-01V	3C-160	1160-U53	3D-120	1180-U9	3E-120
1150-U27-03	3C-120	1150-U57	3YC-180	1160-U54	3D-120	1180-U10	3E-120
1150-U28	3C-120	1150-U63	1C-130	1160-U55	3D-120	1180-U11	3E-120
1150-U28-02	3C-120	1150-U63-01	3YC-190	1160-U56	3D-120	1180-U12	3E-120
1150-U28-03	3C-120	1150-U63-02	3YC-190	1160-U57	3D-120	1180-U13	3E-120
1150-U29	3C-120			1160-U58	3D-120	1180-U14	3E-120
1150-U29-02	3C-120	1151-05	3C-420	1160-U59	3D-120	1180-U15	3E-120



Part no.	Catalogue page	Part no.	Catalogue page	Part no.	Catalogue page	Part no.	Catalogue page
1180-U16	3E-120	1190-U219	3F-320	1225-U101	3G-260	1317-U122-HJ	3AB-120
<b>1180-U101</b>	3E-220	1190-U231	3F-320	1225-U184	3G-220	1317-U123	3AB-120
1180-U102	3E-220	1190-U306	3F-330	1225-U185	3G-220	1317-U123-BO	3AB-120
1180-U103	3E-220			1225-U185-01	3G-220	1317-U123-HJ	3AB-120
1180-U104	3E-220	1200-U...-01	7A-120	1225-U186	3G-220	1317-U131	3AB-120
1180-U105	3E-220	1200-U...-02	7A-120	1225-U186-01	3G-220	1317-U131-HJ	3AB-120
1180-U106	3E-220	1200-U...-03	7A-120	1225-U190	3G-220	1317-U151-02	3AB-120
1180-U107	3E-220	1200-U...-04	7A-120	1225-U190-01	3G-220	1317-U151-02HJ	3AB-120
<b>1180-U108</b>	3E-220	1200-U...-05	7A-120	1225-U191	3G-220	<b>1317-U155-BO</b>	3AB-180
1180-U109	3E-220	1200-U...-06	7A-120	1225-U191-01	3G-220	1317-U156-BO	3AB-180
1180-U110	3E-220	1200-U...-07	7A-120	1225-U191-E	3G-220	1317-U157-BO	3AB-180
1180-U111	3E-220	1200-U...-08	7A-120	1225-U193	3G-220	1317-U158-BO	3AB-180
1180-U112	3E-220	1200-U...-09	7A-120	1225-U194	3G-220	1317-U161-02	3AB-120
1180-U113	3E-220	1200-U...-10	7A-120	1225-U195	3G-220	1317-U161-02HJ	3AB-120
1180-U114	3E-220	1200-U...-11	7A-120	1225-U196	3G-220	1317-U201	3AB-160
1180-U115	3E-220	1200-U...-12	7A-120	1225-U198	3G-420	1317-U201-HJ	3AB-160
1180-U116	3E-220	1200-U...-13	7A-120	1225-U200	3G-220	1317-U202	3AB-160
<b>1180-U200-LI</b>	3E-140	1200-U...-14	7A-120	1225-U201	3G-220	1317-U202-HJ	3AB-160
<b>1180-U200-RE</b>	3E-140	1200-U...-15	7A-120	1225-U202	3G-220	<b>1317-U221</b>	3AB-160
<b>1180-U201</b>	3E-320	1200-U...-16	7A-120	1225-U203	3G-220	1317-U221-HJ	3AB-160
<b>1180-U301</b>	3E-140	1200-U...-17	7A-120	1225-U206	3G-220	1317-U222	3AB-160
		1200-U...-18	7A-120	1225-U207	3G-220	1317-U222-HJ	3AB-160
		1210-U...	7B-120	1225-U210	3G-220	1317-U301	3AB-160
<b>1185-U1</b>	3E-520	1210-U...	7B-320	1225-U211	3G-220	1317-U301-BO	3AB-160
<b>1185-U2</b>	3E-520			1225-U212	3G-220	1317-U302	3AB-160
<b>1185-U3</b>	3E-540			1225-U213	3G-220	1317-U302-BO	3AB-160
<b>1185-U4</b>	3E-540	1210-X...	7B-120	1225-U214	3G-220	1317-U321	3AB-160
1185-U4-V	3E-540	1210-X...	7B-320	1225-U215	3G-220	1317-U321-01	3AB-220
<b>1185-U5</b>	3E-540			1225-U216	3G-220	1317-U321-BO	3AB-160
1185-U5-V	3E-540			1225-U219	3G-220	1317-U322	3AB-160
		1215-U1	7B-220	1225-U220	3G-220	1317-U322-BO	3AB-160
1190-25-01JB	3ZA-560	1215-U1-V	7B-220	1225-U221	3G-220	1317-U401	3AB-140
1190-25-01TA	3ZA-560	1215-U2-U78	7B-220	1225-U222	3G-220	1317-U401-01	3AB-140
1190-25-02JB	3ZA-560	1215-U2-U322	7B-220	1225-U223	3G-220	1317-U403-01	3AB-140
1190-25-02TA	3ZA-560	1215-U2-U323	7B-220	1225-U224	3G-220	1317-U406	3AB-140
<b>1190-27-01JB</b>	3ZA-560	1215-U2-U324	7B-220	1225-U225	3G-220	1317-U406-01	3AB-140
1190-27-01TA	3ZA-560	1215-U2-U325	7B-220	1225-U236	3G-220	1317-U421	3AB-140
1190-27-02JB	3ZA-560	1215-U2-U326	7B-220	1225-U239	3G-220	1317-U421-01	3AB-140
1190-27-02TA	3ZA-560	1215-U2-U327	7B-220	1225-U242	3G-220	1317-U421-02	3AB-220
		1215-U2-U328	7B-220	1225-U243	3G-220	1317-U423-01	3AB-140
		1215-U2-U329	7B-220	1225-U244	3G-220	1317-U426	3AB-140
		1215-U2-U739	7B-220	1225-U245	3G-220	1317-U426-01	3AB-140
				1225-U246	3G-220		
1190-U1	3F-120	1221-U19	3G-120	1225-U247	3G-220	1321-U1	3BA-120
1190-U3	3F-220	1221-U20	3G-120	1225-U248	3G-220	1321-U2	3BA-120
1190-U4	3F-220	1221-U22	3G-120	1225-U249	3G-220	1321-U3	3BA-120
1190-U5	3F-220	1221-U23	3G-120	1225-U250	3G-220	1321-U4	3BA-120
<b>1190-U6</b>	3F-420	1221-U134	3G-120	1225-U251	3G-220		
1190-U6-V	3F-420	1221-U135	3G-120	1225-U252	3G-220		
<b>1190-U7</b>	3F-420	1221-U19A	3G-120	1225-U253	3G-220	1325-14-01JB	3ZA-600
1190-U7-V	3F-420	1221-U22A	3G-120	1225-U254	3G-220	1325-14-03JB	3ZA-600
1190-U9	3F-420			1225-U256	3G-220	1325-14-05JB	3ZA-600
1190-U10	3F-420	1223-U1	3G-180	1225-U257	3G-220	1325-14-07JB	3ZA-600
1190-U11	3F-420	1223-U2	3G-180	1225-U268	3G-220	1325-15-01JB	3ZA-600
1190-U12	3F-420	1223-U3	3G-180	1225-U269	3G-220	1325-15-03JB	3ZA-600
1190-U13	3F-420	1223-U4	3G-180	1225-U275	3G-220	1325-15-05JB	3ZA-600
1190-U14	3F-420	1223-U5	3G-180	1225-U276	3G-220	1325-15-07JB	3ZA-600
1190-U15	3F-420	1223-U6	3G-180	1225-U282	3G-220		
1190-U16	3F-420	1223-U7	3G-180	1225-U283	3G-220	1325-U1	3BA-220
1190-U17	3F-420	1223-U8	3G-180	1225-U291	3G-420	1325-U1-01	3BA-220
1190-U18	3F-420	1223-U9	3G-180	1225-U302	3G-260	1325-U2	3BA-220
1190-U19	3F-420	1223-U10	3G-180	1225-U303	3G-260	1325-U2-01	3BA-220
1190-U20	3F-420	1223-U11	3G-180	1225-U326	3G-260	1325-U3	3BA-220
1190-U21	3F-420	1223-U12	3G-180	1225-U326	3G-260	1325-U3-01	3BA-220
1190-U22	3F-420	1223-U13	3G-180	1225-U339	3G-260	1325-U4	3BA-220
1190-U23	3F-420	1223-U14	3G-180			1325-U4-01	3BA-220
1190-U24	3F-420	1223-U15	3G-180	1240-U1	3G-520	1325-U4-02	3BA-210
1190-U25	3F-420	1223-U16	3G-180	1240-U2	3G-520	1325-U22	3BA-220
1190-U26	3F-420	1223-U17	3G-180			1325-U101	3BA-210
1190-U27	3F-420	1223-U18	3G-180	1250-U1	8D-520	1325-U101	3BA-220
1190-U28	3F-420	1223-U19	3G-180	1250-U2	8D-520	1325-U201	3BA-320
1190-U29	3F-420	1223-U20	3G-180	1250-U3	8D-520	1325-U202	3BA-320
1190-U30	3F-420	1223-U21	3G-180	1250-U4	8D-540	1325-U202	3ZA-605
1190-U31	3F-420	1223-U22	3G-180	1250-U5	8D-540	1325-U220-01	3ZA-605
1190-U32	3F-420	1223-U23	3G-180	1250-U6	8D-540	1325-U220-03	3ZA-605
1190-U106	3F-430	1223-U24	3G-180	1250-U7	8D-540	1325-U220-05	3ZA-605
1190-U107	3F-430	1223-U25	3G-180			1325-U220-07	3ZA-605
<b>1190-U206</b>	3F-320	1223-U26	3G-180	1300-U1-BxH	7C-120		
<b>1190-U206-V</b>	3F-320	1223-U27	3G-180			1390-11-01JB	3ZA-610
1190-U209	3F-320	1223-U28	3G-180			1390-11-03JB	3ZA-610
1190-U210	3F-320	1223-U29	3G-180			1390-11-05JB	3ZA-610
1190-U211	3F-320	1223-U30	3G-180			1390-11-07JB	3ZA-610
1190-U212	3F-320	1223-U31	3G-180			1390-12-01JB	3ZA-610
1190-U213	3F-320	1223-U32	3G-180			1390-12-03JB	3ZA-610
1190-U214	3F-320	1223-U33	3G-180			1390-12-05JB	3ZA-610
1190-U215	3F-320					1390-12-07JB	3ZA-610
1190-U216	3F-320	1225-U60	3G-320				
1190-U217	3F-320	1225-U62	3G-320				
1190-U218	3F-320						

Info  
1 Quarter turns  
2 Rod controls  
3 Locking systems  
4 Hinges  
5 Seals  
6 Handles  
7 Aluminium windows  
8 Miscellaneous  
9 Special catalogues

Info

1 Quarter turns

2 Rod controls

3 Locking systems

4 Hinges

5 Seals

6 Handles

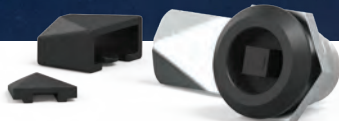
7 Aluminium windows

8 Miscellaneous

9 Special catalogues

Index

Part no.	Catalogue page	Part no.	Catalogue page	Part no.	Catalogue page	Part no.	Catalogue page
1390-U1	3FA-140	1500-U572	1D-220	2150-U1	3H-120	3000-U102	3N-130
1390-U1	3FA-150	1500-U574	1D-220	2150-U2	3H-120	3000-U104-01	3N-110
1390-U1-CX	3FA-140	1500-U773	1D-220	2150-U3	3H-120	3000-U104-01	3N-120
1390-U1-CX	3FA-150	1500-U774	1D-220	2150-U4	3H-160	3000-U104-01	3N-130
1390-U2	3FA-140	1500-U776-LIPH	1D-420	2150-U4-01	3H-160	3000-U900-41	3N-110
1390-U2	3FA-150	1500-U776-REPH	1D-420	2150-U5	3H-160	3000-U900-42	3N-110
1390-U3	3FA-140	1500-U776-01LIPH	1D-420	2150-U5-01	3H-160	3000-U910-21	3N-130
1390-U3	3FA-150	1500-U776-01REPH	1D-420	2150-U6	3H-160	3000-U910-22	3N-130
1390-U4	3FA-140	1500-U775	1D-220	2150-U6-01	3H-160	3000-U911-41	3N-120
1390-U4	3FA-150			2150-U7	3H-160	3000-U911-42	3N-120
1390-U10-01	3ZA-610	1715-U331	4D-120	2150-U7-01	3H-160	6020-U1098-PP	4B-220
1390-U10-03	3ZA-610	1715-U332	4D-120	2150-U8	3H-160	6040-15-JQ	6B-220
1390-U10-05	3ZA-610	1715-U333	4D-120	2150-U8-01	3H-160	6040-15-KA	6B-220
1390-U10-07	3ZA-610			2150-U9	3H-160	6040-15-PC	6B-220
1390-U11-01	3ZA-610	2074-U111-IA	8A-840	2150-U9-01	3H-160	6040-15-01KA	6B-220
1390-U11-03	3ZA-610	2074-U113-IA	8A-840				
1390-U11-05	3ZA-610	2074-U130-IK	8A-840	2153-U3	3H-220	6040-U12-JQ	6B-120
1390-U11-07	3ZA-610	2074-U132-IK	8A-840	2153-U4	3H-220	6040-U12-KA	6B-120
1390-U33	3FA-120	2074-U372-137IK	8A-820	2153-U5	3H-220	6040-U12-01KA	6B-120
1390-U33	3FA-130	2074-U372-156IK	8A-820	2153-U6	3H-220	6040-U13-JQ	6B-120
1390-U38	3FA-120			2153-U7	3H-220	6040-U13-PC	6B-120
1390-U38	3FA-130	2100-B14	3XA-240	2153-U8	3H-220	6040-U14-JQ	6B-120
1390-U38-CX	3FA-120	2100-B15	3XA-240	2153-U9	3H-220	6040-U14-PC	6B-120
1390-U38-CX	3FA-130	2100-B16	3XA-240	2153-U10	3H-220	6040-U14-LA	6B-220
1390-U39	3FA-120	2100-B17	3XA-240	2153-U11	3H-220	6040-U23-JQ	6B-140
1390-U39	3FA-130	2100-B18	3XA-240			6040-U23-PC	6B-140
		2100-B19	3XA-240	2200-05	3YA-540	6040-U24-JQ	6B-140
1500-01	1D-140	2100-B20	3XA-240	2200-06	3YA-540	6040-U24-PC	6B-140
1500-01-G	1D-140	2100-B21	3XA-240			6040-U33-JQ	6B-140
1500-01-HW	1D-140	2100-B22	3XA-240	2200-U1-C	3YA-540	6040-U33-PC	6B-140
1500-01-GHW	1D-140	2100-B23	3XA-240			6040-U34-JQ	6B-140
1500-02-10	1D-140	2100-B24	3XA-240	2225-U1	3J-120	6040-U34-PC	6B-140
1500-02-15	1D-140	2100-B25	3XA-240	2225-U2	3J-140	6040-U35-JQ	6B-160
1500-05-10	1D-220	2100-B26	3XA-240	2225-U3	3J-160	6040-U35-PC	6B-160
1500-05-10	1D-240	2100-B27	3XA-240	2225-U11	3J-120	6040-U41-JQ	6B-160
1500-05-15	1D-220	2100-B28	3XA-240	2225-U11-01	3J-140	6040-U41-JQ	6B-160
1500-05-15	1D-240	2100-B29	3XA-240	2225-U11-LI	3J-160	6040-U41-PC	6B-160
1500-136-H16	1D-140	2100-B30	3XA-240	2225-U11-RE	3J-160	6040-U46-JQ	6B-180
1500-136-H18	1D-140	2100-B31	3XA-240	2225-U48	3J-120	6040-U53-JQ	6B-180
1500-136-H22	1D-140	2100-B32	3XA-240	2225-U48-01	3J-140	6040-U53-PC	6B-180
1500-136-H24	1D-140	2100-B33	3XA-240	2225-U48-LI	3J-160	6040-U54-JQ	6B-180
1500-136-H28	1D-140	2100-B34	3XA-240	2225-U48-RE	3J-160	6040-U54-PC	6B-180
1500-136-H30	1D-140	2100-B36	3XA-240	2225-U49	3J-120	6040-U80-JQ	6B-240
1500-140-H16	1D-140			2225-U49-01	3J-140	6040-U80-PC	6B-240
1500-140-H18	1D-140	2100-U1	3H-320	2225-U49-LI	3J-160	6040-U94-JQ	6B-240
1500-140-H22	1D-140	2100-U2	3H-320	2225-U49-RE	3J-160		
1500-140-H24	1D-140	2100-U6	3XA-120	2225-U50	3J-120	6042-63-JQ	6B-320
1500-140-H28	1D-140	2100-U9	3H-420	2225-U50-01	3J-140	6042-69-JQ	6B-320
1500-140-H30	1D-140	2100-U11	3XA-120	2225-U50-LI	3J-160	6042-69-PC	6B-320
1500-140-H18HW	1D-140	2100-U31	3C-440	2225-U50-RE	3J-160	6042-278-JQ	6B-320
1500-152-H16	1D-140	2100-U31	3F-120	2225-U54	3J-120		
1500-152-H18	1D-140	2100-U31	3H-320	2225-U54-01	3J-140		
1500-152-H22	1D-140	2100-U32	3XA-140	2225-U54-LI	3J-160		
1500-152-H24	1D-140	2100-U33	3H-420	2225-U54-RE	3J-160		
1500-152-H28	1D-140	2100-U33	3XA-140	2225-U60	3J-120		
1500-152-H30	1D-140	2100-U34	3XA-140	2225-U60-01	3J-140		
1500-156-H16	1D-140	2100-U35	3XA-140	2225-U60-LI	3J-160		
1500-156-H18	1D-140	2100-U36	3XA-140	2225-U60-RE	3J-160		
1500-156-H22	1D-140	2100-U37	3XA-140	2225-U101	3J-120		
1500-156-H24	1D-140	2100-U38	3XA-140				
1500-156-H28	1D-140	2100-U39	3XA-140	2300-04	3ZC-140		
1500-156-H30	1D-140	2100-U40	3XA-140				
1500-160-H16	1D-140	2100-U41	3XA-140	2400-18-01RA	3ZA-580		
1500-160-H18	1D-140	2100-U42	3XA-140	2400-18-03RA	3ZA-580		
1500-160-H22	1D-140	2100-U43	3XA-140	2400-18-05RA	3ZA-580		
1500-160-H24	1D-140	2100-U44	3XA-140	2400-18-07RA	3ZA-580		
1500-160-H28	1D-140	2100-U45	3XA-140	2400-19-01RA	3ZA-580		
1500-160-H30	1D-140	2100-U46	3XA-140	2400-19-03RA	3ZA-580		
1500-177-H16	1D-140	2100-U47	3XA-140	2400-19-05RA	3ZA-580		
1500-177-H18	1D-140	2100-U48	3XA-140	2400-19-07RA	3ZA-580		
1500-177-H22	1D-140	2100-U49	3XA-140				
1500-177-H24	1D-140	2100-U50	3XA-140	2400-U3	3K-220		
1500-177-H28	1D-140	2100-U51	3XA-140	2400-U4	3K-220		
1500-177-H30	1D-140	2100-U53	3XA-140				
1500-B156-H28	1D-140	2100-U54	3XA-140	2600-12	3ZA-600		
		2100-U56	3XA-240	2600-12	3ZA-610		
1500-U18	1D-240	2100-U57	3XA-140				
1500-U19	1D-240	2100-U58	3XA-140	3000-87	3N-110		
1500-U343	1D-220	2100-U59	3H-320	3000-87	3N-120		
1500-U345	1D-220			3000-87	3N-130		
1500-U347	1D-220	2121-U26-C	3YA-520	3000-88	3N-110		
1500-U546	1D-220	2121-U27-C	3YA-520	3000-88	3N-120		
1500-U548	1D-220	2121-U28-C	3YA-420	3000-88	3N-130		
1500-U550	1D-220	2121-U29-C	3YA-420				
1500-U570	1D-220			3000-U102	3N-110		



[www.EMKA.com](http://www.EMKA.com)

# EMKA worldwide

 ALGERIA EMKA France Tel. +33/254/320862 emka@emka-france.com	 ESTONIA EMKA Polska Tel. +370/612/42868 m.balsevicius@emka.net	 MOROCCO EMKA France Tel. +33/254/320862 emka@emka-france.com	 SPAIN EMKA Beschlagteile Ibérica Tel. +34/672/262672 info@emka-iberica.es
 ARMENIA EMKA Kilit Tel. +90/262/2909097 info@emkakilit.com.tr	 FINLAND EMKA Scandinavia Tel. +46/36/314130 info@emka.se	 MEXICO EMKA Mexico Beschlagteile Tel. +52/44/22095217 info@emka.mx	 SWEDEN EMKA Scandinavia Tel. +46/36/314130 info@emka.se
 AUSTRIA EMKA Beschlagteile Ges.m.b.H. Tel. +43/2143/43063 info@emka-beschlagteile.at	 FRANCE EMKA France Tel. +33/254/320862 emka@emka-france.com	 MONTENEGRO EMKA Bosnia Tel. +387/38/241310 info@emka.ba	 SWITZERLAND EMKA Beschlagteile AG Tel. +41/33/8260220 info@emka.ch
 AUSTRALIA * Lock Focus Tel. +61/3/97981322 sales@lockfocus.com.au	 GEORGIA EMKA Kilit Tel. +90/262/2909097 info@emkakilit.com.tr	 NETHERLANDS EMKA Benelux Tel. +31/413/323510 info@emka.org	 TUNISIA EMKA France Tel. +33/254/320862 emka@emka-france.com
 AZERBAIJAN EMKA Kilit Tel. +90/262/2909097 info@emkakilit.com.tr	 GREECE * EMKA Hellas Tel. +30/21041/83183 info@emka-hellas.com	 NORWAY EMKA Scandinavia Tel. +46/36/314130 info@emka.se	 TURKMENISTAN EMKA Kilit Tel. +90/262/2909097 info@emkakilit.com.tr
 BELARUS EMKA Polska Tel. +48/32/6663300 info@emka.net	 HUNGARY EMKA Beschlagteile Ges.m.b.H. Tel. +36/1/2360032 info@emka.hu	 POLAND EMKA Polska Tel. +48/32/6663300 info@emka.net	 TURKEY EMKA Kilit Tel. +90/262/2909097 info@emkakilit.com.tr
 BELGIUM EMKA Benelux Tel. +31/413/323510 info@emka.org	 INDIA EMKA India Tel. +91/80/48542727 info@emka.in	 PORTUGAL EMKA Beschlagteile Ibérica Tel. +34/672/262672 info@emka-iberica.pt	 UAE EMKA Middle East Tel. +971/4/2844528 info@emka.ae
 BOSNIA-HERZEGOVINA EMKA Bosnia Tel. +387/38/241310 info@emka.ba	 INDONESIA EMKA Pacific Tel. +62/22/87301000 info@emka-pacific.id	 ROMANIA S.C. EMKA Beschlagteile Tel. +40/269/222700 info@emka.ro	 UKRAINE EMKA Ukraine Tel. +380/96/7535875 info@emka.in.ua
 CANADA EMKA Inc. Tel. +1/717/9861111 info@emkausa.com	 ISRAEL * Kornass Mechanical Engineering Tel. +972/76/5400789 sales@kornass.com	 RUSSIA * OOO "EmTechProm" Tel. +7/812/6424397 info@emtechprom.ru	 UNITED KINGDOM EMKA (UK) Tel. +44/2476/616505 info@emka.co.uk
 CHILE * NDU Ingenieria Tel. +56/2/29639861 info@ndu.cl	 ITALY EMKA Italia Tel. +39/045/6471070 info@emka.it	 SERBIA EMKA Okovi Tel. +385/35/270073 info@emka-okovi.hr	 USA EMKA Inc. Tel. +1/717/9861111 info@emkausa.com
 CHINA EMKA Industrial Hardware Tel. +86/22/22242300 info@emka.cn	 JAPAN * TOCHIGIYA Tel. +81/48/2283072 support@tochigiya.co.jp	 SINGAPORE * VF Fastening Systems Tel. +65/6752/3033 vincent@vffastening.com.sg	 UZBEKISTAN EMKA Kilit Tel. +90/262/2909097 info@emkakilit.com.tr
 CROATIA EMKA Okovi Tel. +385/35/270073 info@emka-okovi.hr	 KAZAKHSTAN EMKA Kilit Tel. +90/262/2909097 info@emkakilit.com.tr	 SLOVAKIA EMKA Beschlagteile Ges.m.b.H. Tel. +42/190/3446826 miro.herman@gmail.com	 VIETNAM * Terramar Tel. +84/28/39153209104 duc.tinh@terramar.com
 CZECH REPUBLIC EMKA Beschlagteile CZ Tel. +43/214343063 info@emka-solutions.cz	 LATVIA EMKA Polska Tel. +370/612/42868 m.balsevicius@emka.net	 SOUTH AFRICA * Enclosure Solutions Tel. +27/11/9737260 info@enclosuresolutions.co.za	
 DENMARK * A/S Megatrade Beslag Tel. +45/44916700 mega@megatrade.dk	 LITHUANIA EMKA Polska Tel. +370/612/42868 m.balsevicius@emka.net	 SOUTH COREA * Geo Jeon Tel. +82/314/335508 geojeon@emkakorea.co.kr	*Agency

[www.EMKA.com](http://www.EMKA.com)



EMKA Beschlagteile GmbH & Co. KG

Langenberger Str. 32 • 42551 Velbert, Germany • Tel.: +49/2051/273-0 • Fax: +49/2051/273-128 • E-Mail: info@emka.com • www.emka.com

