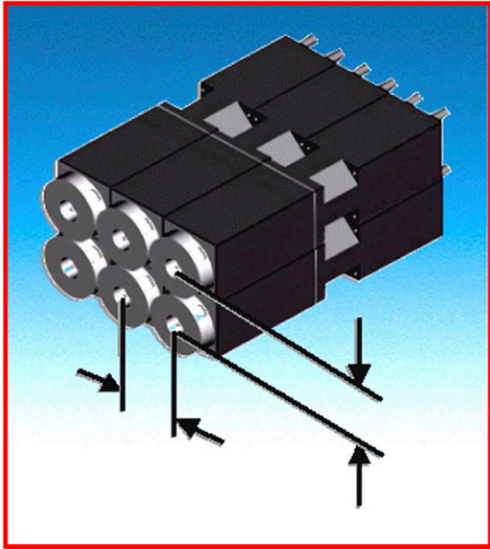


SETCO™ MCS Spindle Shown with Controller & Motor Cables



MCS Spindles Shown Configured as a Clustered Drill Head Solution

SETCO™ Motorized Compact Spindles (MCS) are the Ideal Solution for Precision Machine Applications.

- ✓ Spindle Speeds to 12,000 RPM with Grease Lubricated Bearings
- ✓ Available in 3 Models:
 - MCS-1, Standard
 - MCS-1HS, High Speed
 - MCS-2, High Power
- ✓ High Efficiency, High Torque Motors
 - Permanent Magnet DC Brushless
 - TELC- Liquid Cooled
 - Supplied with Control for Customer Integration in Main Control Panel
 - Independent Variable Speed
- ✓ Patented SETCO AirShield™ Sealing System Protects Nose-end Bearings
- ✓ Low Profile & Compact Design Provides for Tight Clustering
- ✓ Use as a Single Spindle, or Cluster for an Effective Drill Head Configuration
- ✓ Motorized Spindles Provide a Compact Package & No Belt Drive Problems
- ✓ Thru-spindle Coolant Available
- ✓ Custom MCS Feed Packages:
 - Hardened Way, Dovetail, and Linear Bearing
- ✓ Spindle Nose Configurations:
 - Komet / ABS®
 - Collet
 - FL / FAS-LOC®
 - Others with Custom Order.

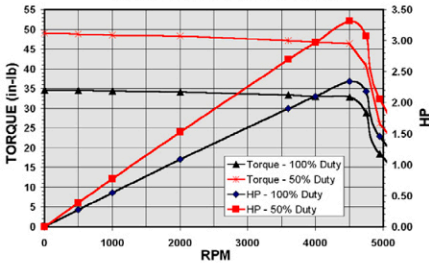
Call Today for Free No-obligation Quote!

Tel: 800-543-0470 • Fax: 513-941-6913 • e-mail: sales@setcousa.com

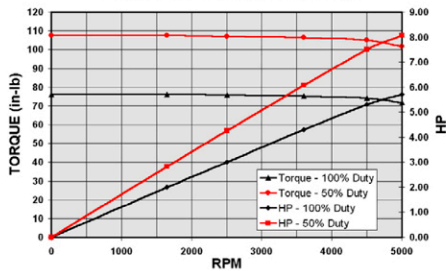
Specification	MCS-1	MCS-1HS	MCS-2
Cross Section Block Style Cartridge Style	3.75" W x 3.37" H 3.15" Dia.	3.75" W x 3.37" H 3.15" Dia.	4.15" W x 4.15" H 4.15" Dia.
Length (Less Coolant Union)	14.50"	14.50"	14.0"
Front Bearing	40mm Triplex	40mm Triplex	40mm Triplex
Front Seal Type	AirShield	AirShield	AirShield
Motor Cooling	Liquid Cooled	Liquid Cooled	Liquid Cooled
Thrust	<i>See Thrust Capacity Vs. RPM Chart.</i>		
Motor Configuration	High Torque	High Speed	High Torque
Motor Type	PMDC Brushless	PMDC Brushless	PMDC Brushless
Torque	49 in-lb @ 50% Duty Cycle 35 in-lb @ 100% Duty Cycle	23 in-lb @ 50% Duty Cycle 16 in-lb @ 100% Duty Cycle	108 in-lb @ 50% Duty Cycle 76 in-lb @ 100% Duty Cycle
HP @ RPM (50% duty rating)	0.8 hp @ 1,000 rpm 2.1 hp @ 3,000 rpm 3.1 hp @ 5,000 rpm	2.2 hp @ 6,000 rpm 3.3 hp @ 9,000 rpm 4.4 hp @ 12,000 rpm	1.7 hp @ 1,000 rpm 5 hp @ 3,000 rpm 8 hp @ 5,000 rpm
Warranty	Standard, 1-Year	Standard, 1-Year	Standard, 1-Year

Specifications subject to change. Consult factory.

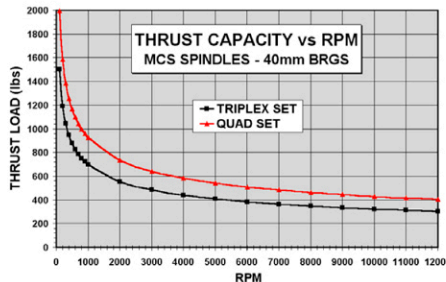
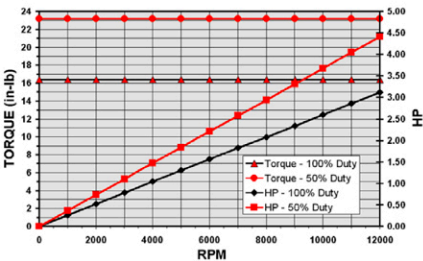
MCS-1 POWER/TORQUE CURVES



MCS-2 POWER/TORQUE CURVES



MCS-1HS POWER/TORQUE CURVES



Note: Consult factory for custom designs, special configurations, and feed packages.